



US00D814586S

(12) **United States Design Patent**  
**Holloway**

(10) **Patent No.:** **US D814,586 S**

(45) **Date of Patent:** **\*\* Apr. 3, 2018**

(54) **SURFCRAFT FIN MOUNTING BLOCK**

(71) Applicant: **SHAPERS (AUST.) PTY LTD,**  
Currumbin (AU)

(72) Inventor: **Daniel Holloway,** Currumbin (AU)

(73) Assignee: **SHAPERS (AUST.) PTY LTD,**  
Currumbin (AU)

(\*\*) Term: **15 Years**

(21) Appl. No.: **29/584,775**

(22) Filed: **Nov. 17, 2016**

(30) **Foreign Application Priority Data**

Jun. 2, 2016 (AU) ..... 201612985

(51) **LOC (11) Cl.** ..... **21-02**

(52) **U.S. Cl.**  
USPC ..... **D21/771**

(58) **Field of Classification Search**  
USPC ..... D21/771, 778, 801, 803-808, 810;  
D6/392, 395, 596, 601, 604, 605;  
D12/337  
CPC ..... B63B 2035/715; B63B 35/7926; B63B  
35/7906; A63B 31/04; A63B 31/08; A63B  
31/10

See application file for complete search history.

(56) **References Cited**

**U.S. PATENT DOCUMENTS**

D261,916 S \* 11/1981 Knox ..... D21/778  
D330,748 S \* 11/1992 Molnar ..... D12/317  
5,810,369 A \* 9/1998 Wilder ..... A63C 17/068  
280/11.221  
6,139,383 A \* 10/2000 Jolly ..... B63B 35/793  
114/39.15  
6,394,865 B1 \* 5/2002 Arzadon ..... B63B 35/7933  
441/79

7,025,645 B1 \* 4/2006 Hsieh ..... B63B 35/793  
441/79  
7,029,352 B1 \* 4/2006 Suzuki ..... B63B 35/793  
441/74  
D546,752 S \* 7/2007 Dovell ..... D12/317  
D631,927 S \* 2/2011 Potter ..... D21/778  
D680,182 S \* 4/2013 Holliday ..... D21/778  
8,408,958 B2 \* 4/2013 Benham ..... B63B 35/7926  
441/74  
D702,304 S \* 4/2014 Potter ..... D21/778  
D702,305 S \* 4/2014 Potter ..... D21/778  
D703,781 S \* 4/2014 Durante ..... D21/778  
D705,373 S \* 5/2014 Durante ..... D21/771  
D705,881 S \* 5/2014 Durante ..... D21/771  
D709,578 S \* 7/2014 Field ..... D21/778  
D741,970 S \* 10/2015 Wilkes ..... D21/778

(Continued)

*Primary Examiner* — Ian Simmons

*Assistant Examiner* — Mojtaba Tehrani

(74) *Attorney, Agent, or Firm* — Kirton McConkie; Evan R. Witt

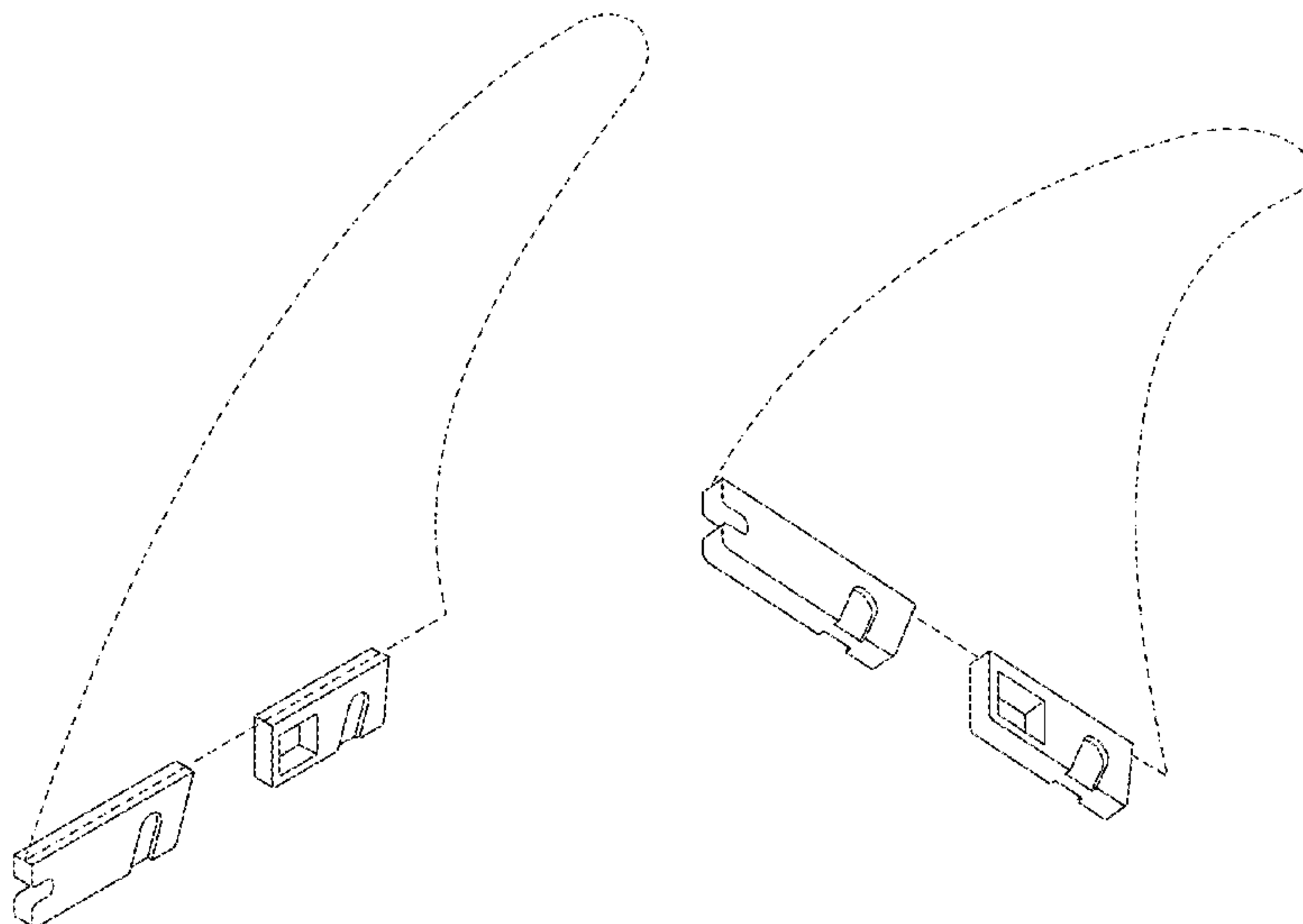
(57) **CLAIM**

The ornamental design for a surfcraft fin mounting block, as shown and described.

**DESCRIPTION**

FIG. 1 is a perspective view of a surfcraft fin mounting block showing my new design;  
FIG. 2 is a perspective bottom view thereof;  
FIG. 3 is a perspective top view thereof;  
FIG. 4 is a perspective right side view thereof;  
FIG. 5 is a right side view thereof;  
FIG. 6 is a left side view thereof;  
FIG. 7 is a top plan view thereof;  
FIG. 8 is a bottom plan view thereof;  
FIG. 9 is a front view thereof; and,  
FIG. 10 is a rear view thereof.  
The broken lines are for illustrating environment and form no part of the claimed design.

**1 Claim, 10 Drawing Sheets**



(56)

**References Cited**

U.S. PATENT DOCUMENTS

D746,391 S \* 12/2015 Wilkes ..... D21/778  
9,242,707 B2 \* 1/2016 Yeh ..... B63B 35/793  
D755,320 S \* 5/2016 Aguilo ..... D21/771  
9,334,027 B1 \* 5/2016 Daniels ..... B63B 35/7926  
D763,387 S \* 8/2016 Pierce ..... D21/778  
9,637,206 B2 \* 5/2017 Ganguli ..... B63B 35/793  
9,701,371 B2 \* 7/2017 Kumano ..... B63B 35/793  
9,725,141 B2 \* 8/2017 Schultz, III ..... B63B 35/793  
2004/0035346 A1 \* 2/2004 Davey ..... B63B 35/7926  
114/152  
2004/0248482 A1 \* 12/2004 Larkin ..... B63B 35/7926  
441/79  
2005/0272326 A1 \* 12/2005 Hopper ..... B63B 35/793  
441/79  
2008/0311807 A1 \* 12/2008 Luke ..... B63B 35/7926  
441/79  
2015/0158563 A1 \* 6/2015 Norrie ..... B63B 35/7926  
441/79  
2015/0239532 A1 \* 8/2015 Wood ..... B63B 35/793  
441/79  
2016/0144933 A1 \* 5/2016 Kumano ..... B63B 35/793  
441/79  
2016/0318587 A1 \* 11/2016 Wilkes ..... B63B 35/7923

\* cited by examiner

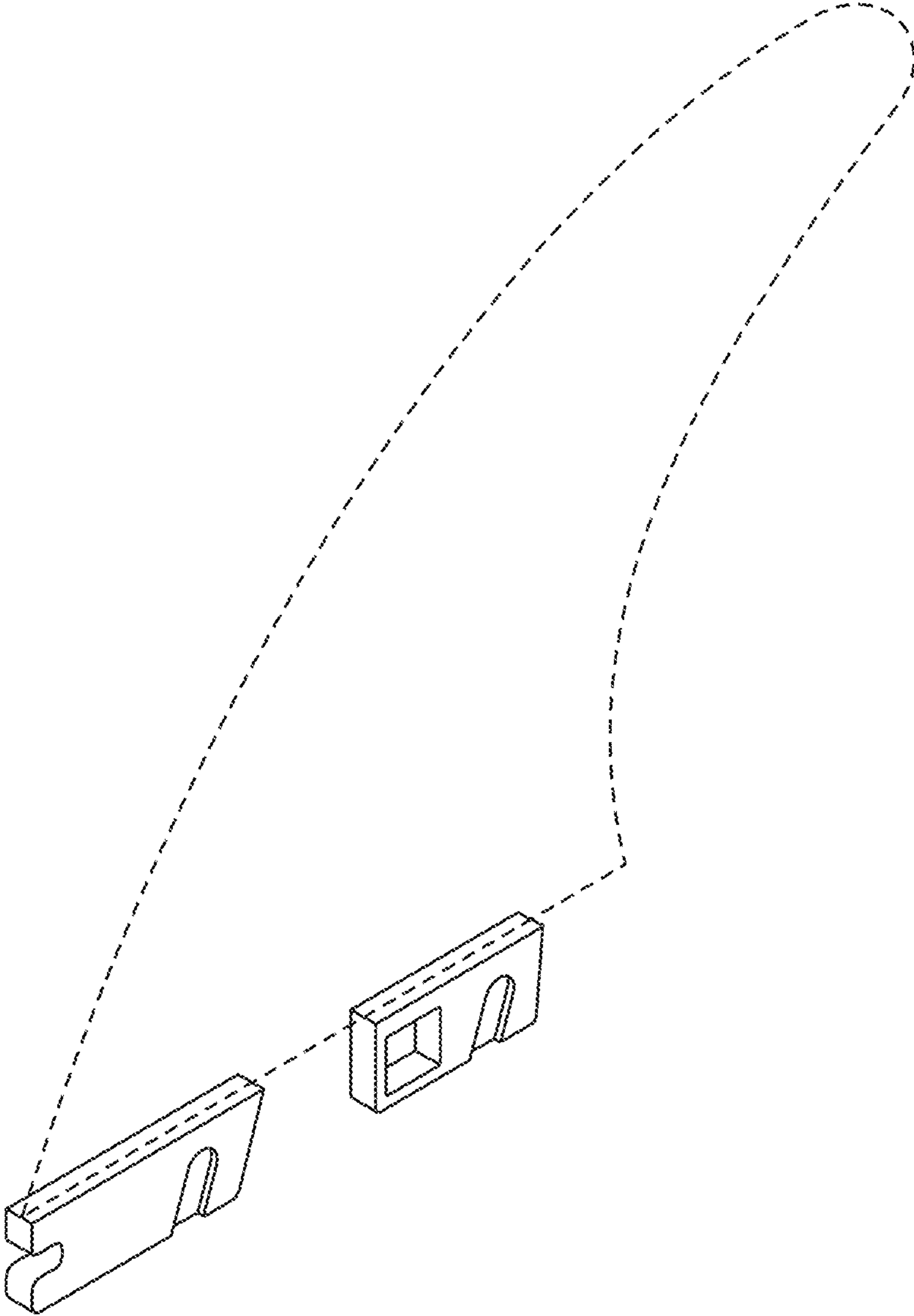


Fig. 1

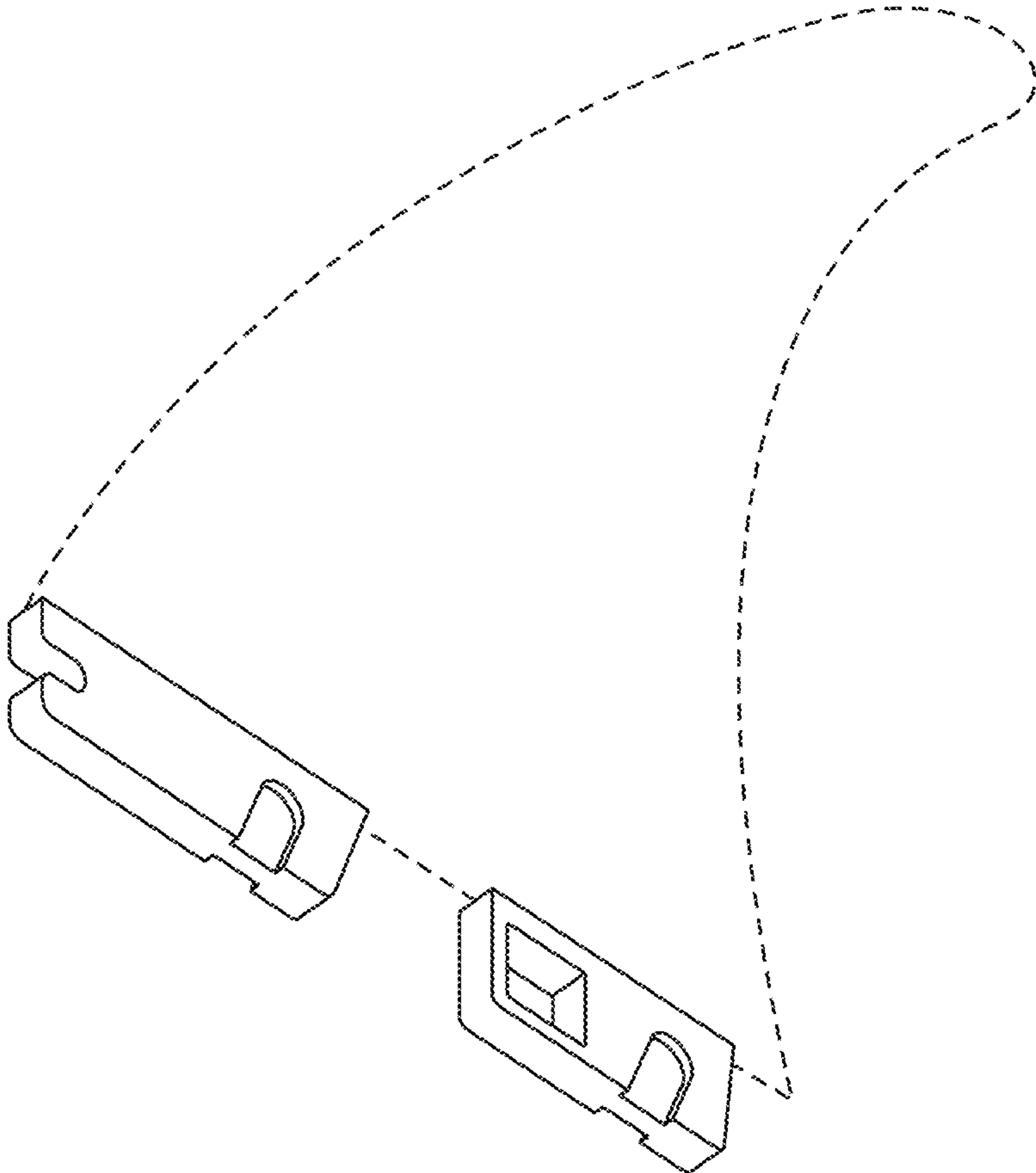


Fig. 2

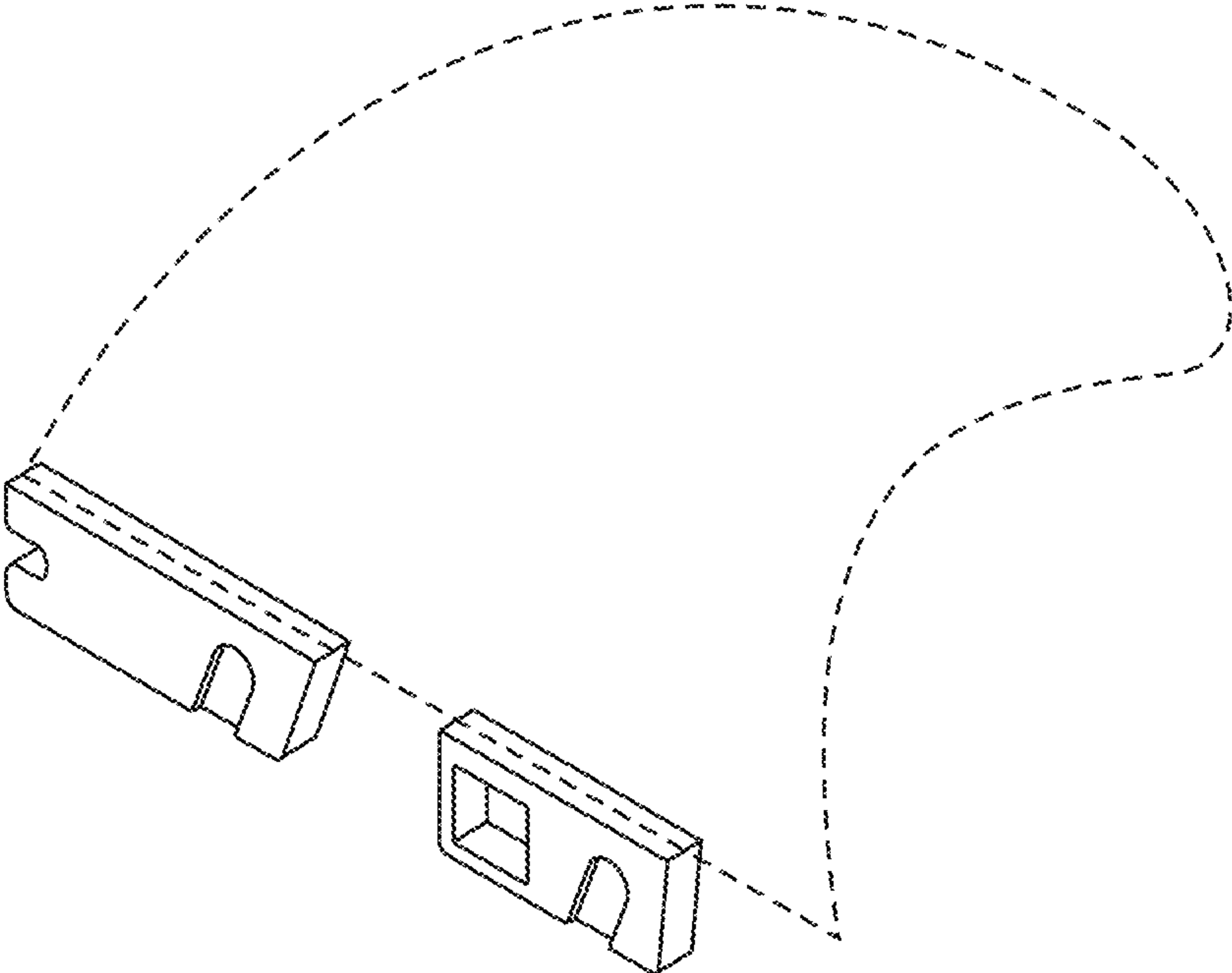


Fig. 3

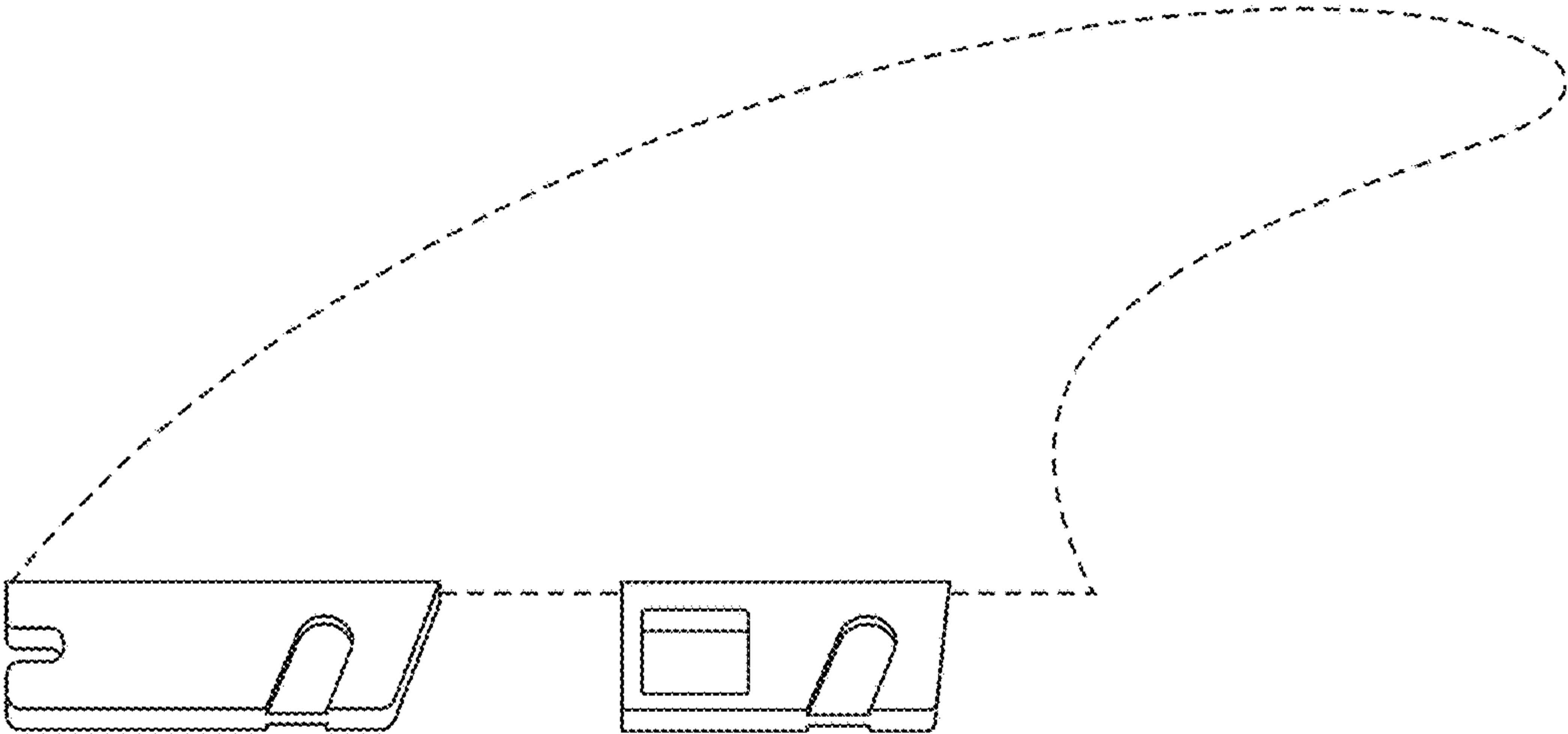


Fig. 4

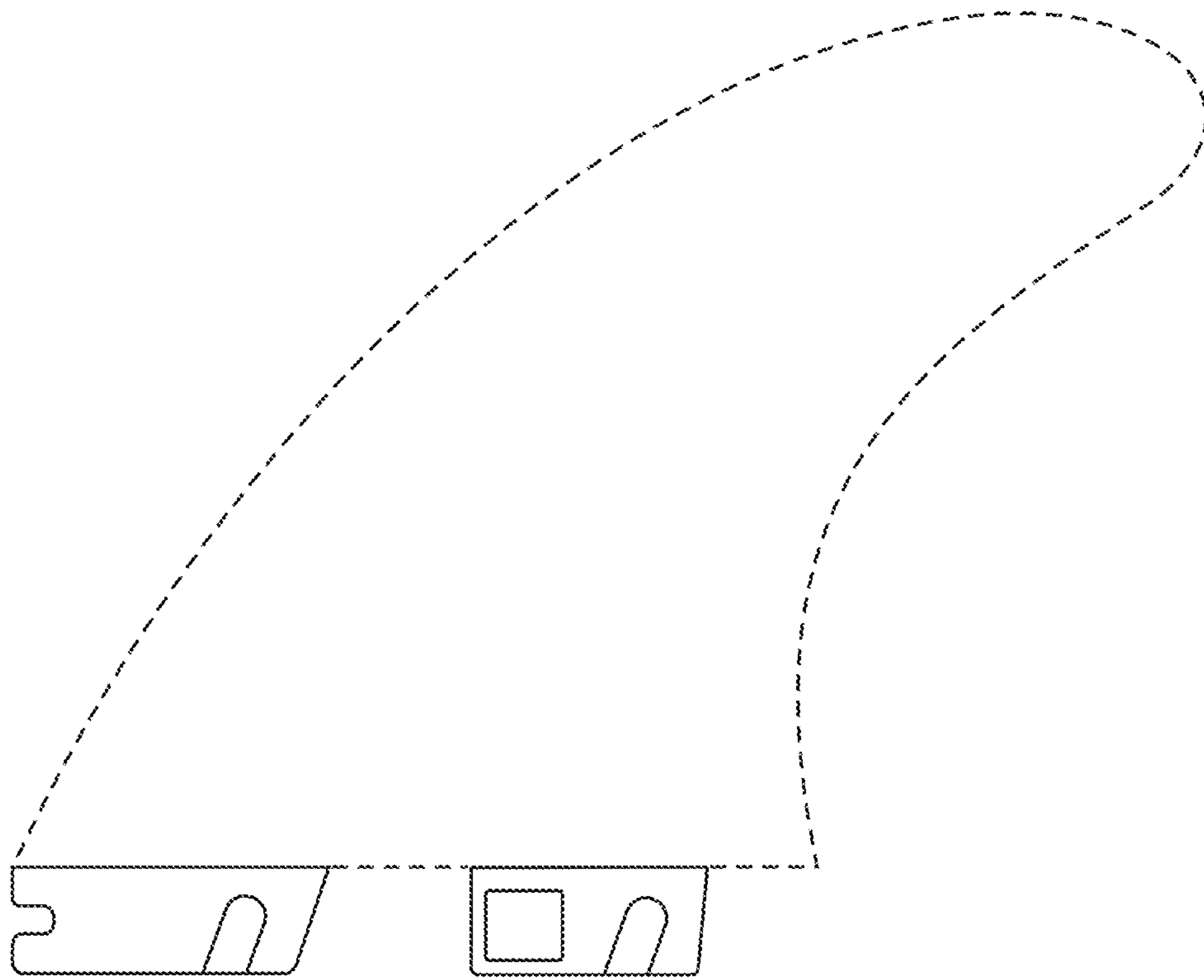


Fig. 5

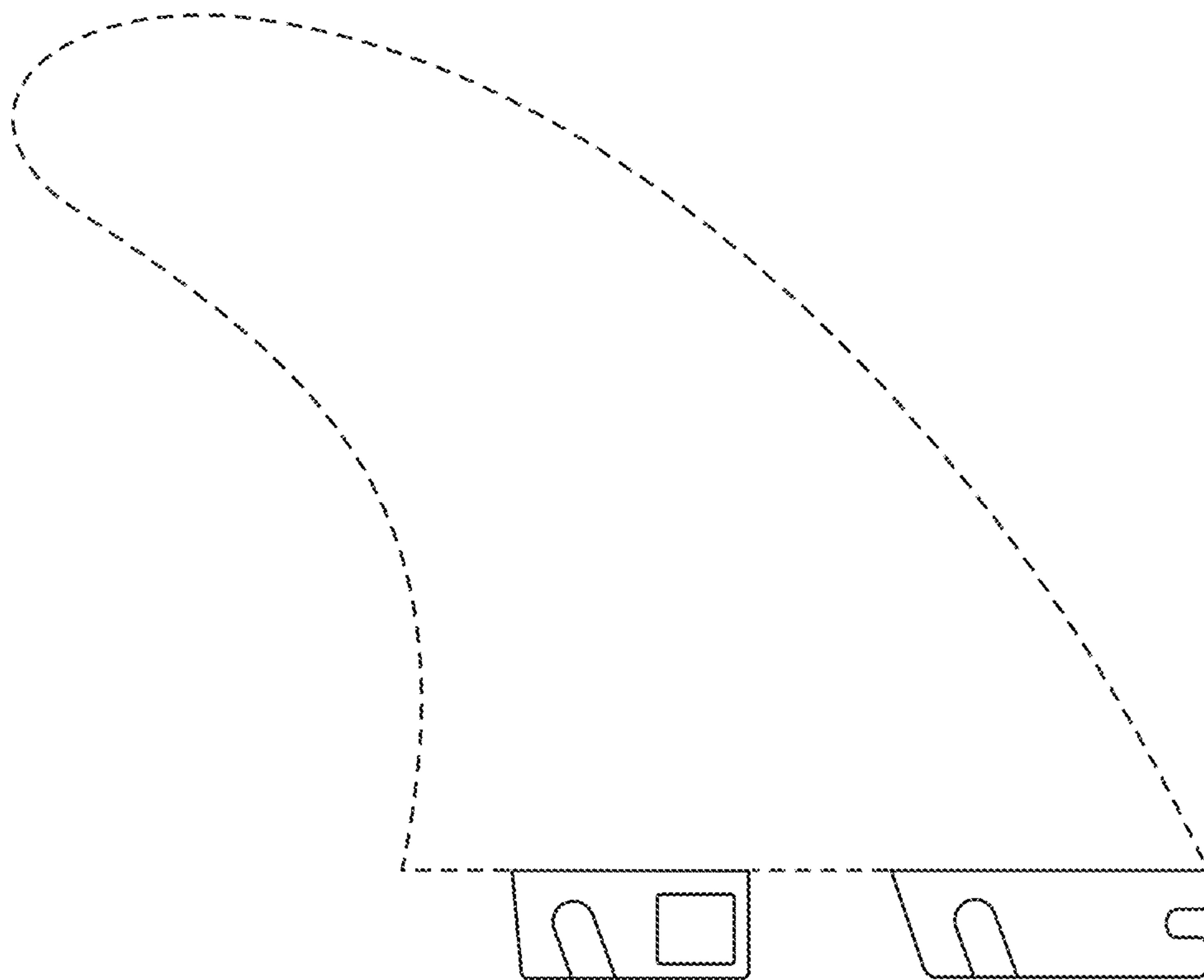


Fig. 6



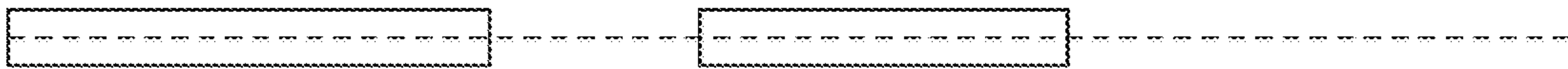


Fig. 7



Fig. 8

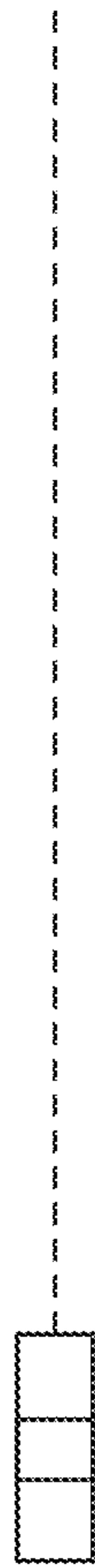


Fig. 9

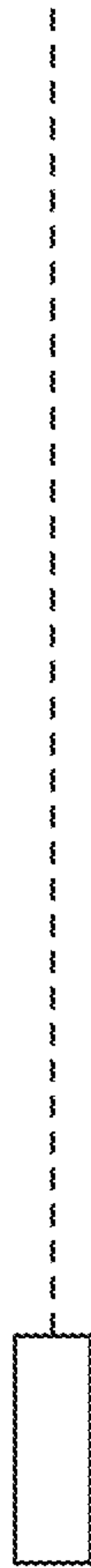


Fig. 10