



US00D814577S

(12) **United States Design Patent**  
**Lalaoua**

(10) **Patent No.:** **US D814,577 S**  
(45) **Date of Patent:** **\*\* Apr. 3, 2018**

(54) **ABDOMINAL EXERCISE PLATFORM**

(71) Applicant: **Nabile Lalaoua**, Las Vegas, NV (US)

(72) Inventor: **Nabile Lalaoua**, Las Vegas, NV (US)

(\*\*) Term: **15 Years**

(21) Appl. No.: **29/577,628**

(22) Filed: **Sep. 14, 2016**

**Related U.S. Application Data**

(63) Continuation-in-part of application No. 15/204,863, filed on Jul. 7, 2016, now Pat. No. 9,744,401, and a continuation-in-part of application No. PCT/IB2016/054191, filed on Jul. 14, 2016, and a continuation-in-part of application No. 15/258,047, filed on Sep. 7, 2016, and a continuation-in-part of application No. PCT/IB2016/005542, filed on Sep. 12, 2016, and a continuation-in-part of application No. 15/187,564, filed on Jun. 20, 2016, and a continuation-in-part of application No. PCT/IB2016/053903, filed on Jun. 29, 2016, and a continuation-in-part of application No. PCT/IB2016/054213, filed on Jul. 14, 2016.

(51) **LOC (11) Cl.** ..... **21-02**

(52) **U.S. Cl.**  
USPC ..... **D21/688**

(58) **Field of Classification Search**

USPC ..... D21/690, 676, 687, 674, 673, 675, 689; 482/140, 142, 126, 144, 92, 143, 123, 482/133, 138, 95, 131, 130, 135, 72, 52, 482/57, 93, 96, 127, 100, 118, 136, 97, 482/112, 9  
CPC ..... A63B 23/0211; A63B 2208/0233; A63B 21/4047; A63B 21/068; A63B 21/0628; A63B 23/0233; A63B 21/4035; A63B 23/0227; A63B 23/0216; A63B 2208/0252; A63B 23/0405; A63B 21/4029; A63B 21/0004

See application file for complete search history.

(56) **References Cited**

U.S. PATENT DOCUMENTS

5,573,485 A \* 11/1996 Geschwender .... A63B 23/0233  
482/112  
5,634,887 A \* 6/1997 Fortier ..... A61H 15/00  
601/115  
5,772,614 A \* 6/1998 Lindquist ..... A63B 21/00196  
601/116  
5,833,590 A \* 11/1998 Chiu ..... A63B 21/0552  
482/112  
D424,142 S \* 5/2000 McBride ..... D21/686  
6,231,489 B1 \* 5/2001 McBride ..... A63B 21/068  
482/132

(Continued)

*Primary Examiner* — Robert M. Spear  
*Assistant Examiner* — Ryan Harvey

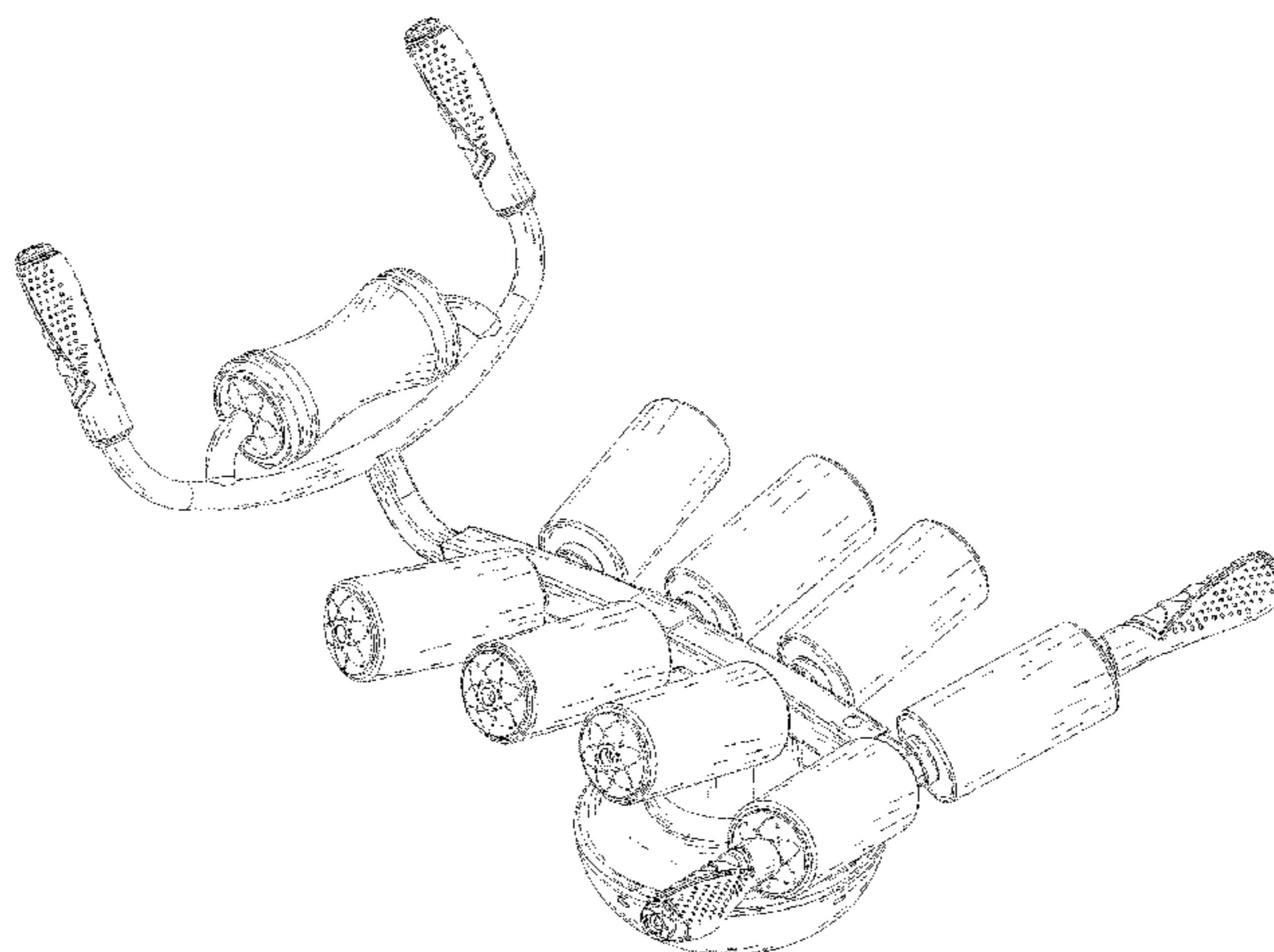
(57) **CLAIM**

The ornamental design for an abdominal exercise platform, as shown and described.

**DESCRIPTION**

FIG. 1 is a top perspective view of an abdominal exercise platform showing my new design;  
FIG. 2 is a bottom perspective view thereof;  
FIG. 3 is a front elevational view thereof;  
FIG. 4 is a rear elevational view thereof;  
FIG. 5 is a left side elevational view thereof;  
FIG. 6 is a right side elevational view thereof;  
FIG. 7 is a top plan view thereof;  
FIG. 8 is a bottom plan view thereof; and,  
FIG. 9 is a bottom perspective view thereof, showing an attachable vibrating device in broken lines.  
The broken line showing aesthetic design features in FIGS. 1-9 and a vibrating device in FIG. 9 is included for the purpose of illustrating environmental structure and forms no part of the claimed design.

**1 Claim, 9 Drawing Sheets**



(56)

**References Cited**

## U.S. PATENT DOCUMENTS

6,387,024 B1 \* 5/2002 Monti ..... A63B 21/00072  
482/130  
D581,471 S \* 11/2008 Mishan ..... D21/687  
D582,494 S \* 12/2008 Elnekaveh ..... D21/687  
D647,153 S \* 10/2011 Mishan ..... D21/687  
D664,615 S \* 7/2012 Chuang ..... D21/687  
8,641,588 B2 \* 2/2014 Verheem ..... A63B 21/0421  
482/140  
D723,638 S \* 3/2015 Zhu ..... D21/690  
D730,458 S \* 5/2015 Zhu ..... D21/690  
9,789,352 B2 \* 10/2017 Lalaoua ..... A63B 21/023  
9,789,353 B2 \* 10/2017 Lalaoua ..... A63B 21/0407  
2013/0337984 A1 \* 12/2013 Lung ..... A63B 21/0421  
482/140  
2015/0105226 A1 \* 4/2015 Lalaoua ..... A63B 23/0205  
482/140  
2017/0014677 A1 \* 1/2017 Lalaoua ..... A63B 21/023  
2017/0014678 A1 \* 1/2017 Lalaoua ..... A63B 21/0552  
2017/0216659 A1 \* 8/2017 Lalaoua ..... A63B 21/4047  
2017/0296867 A1 \* 10/2017 Doane ..... A63B 23/0211

\* cited by examiner

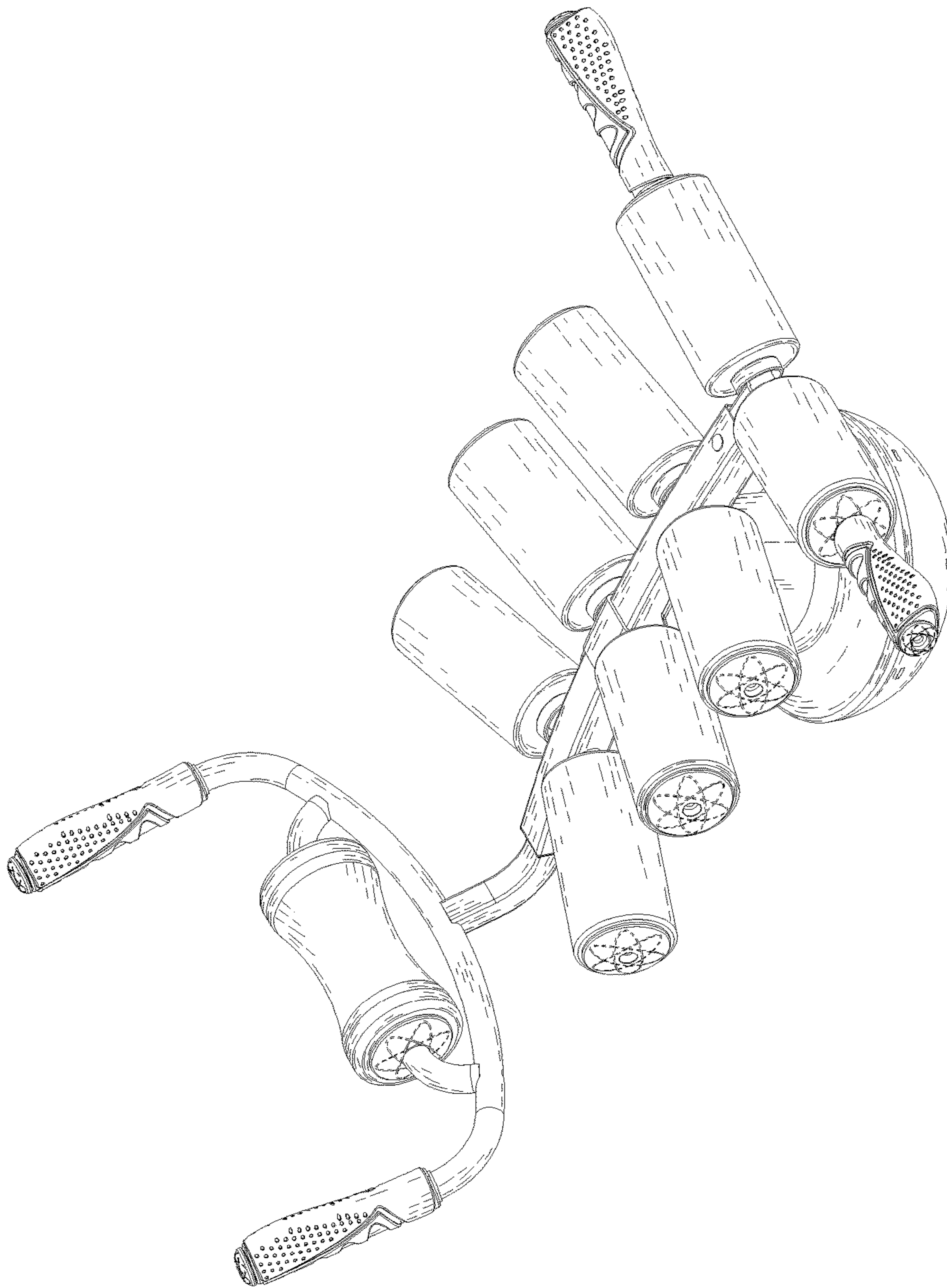


FIG. 1

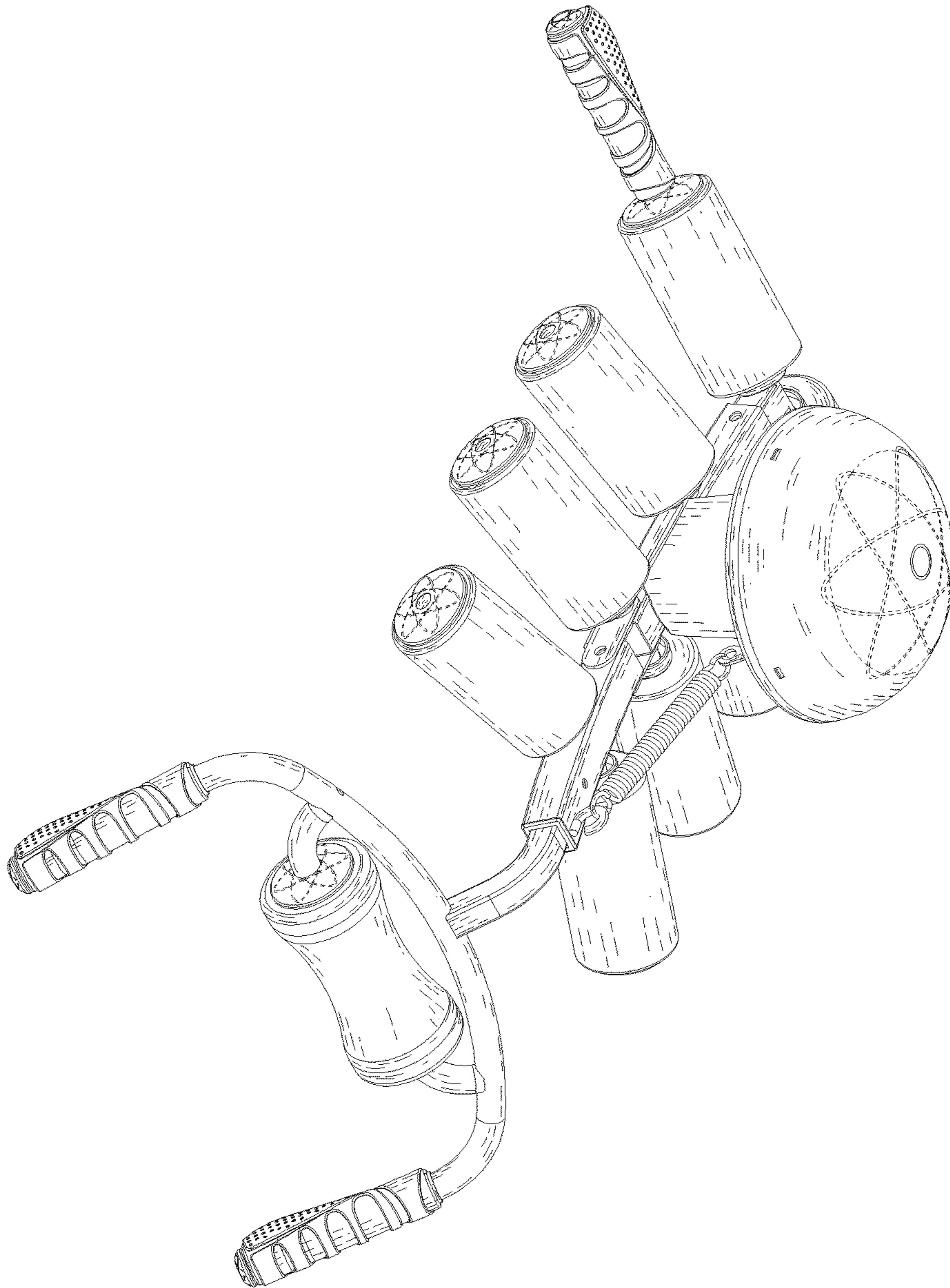


FIG. 2

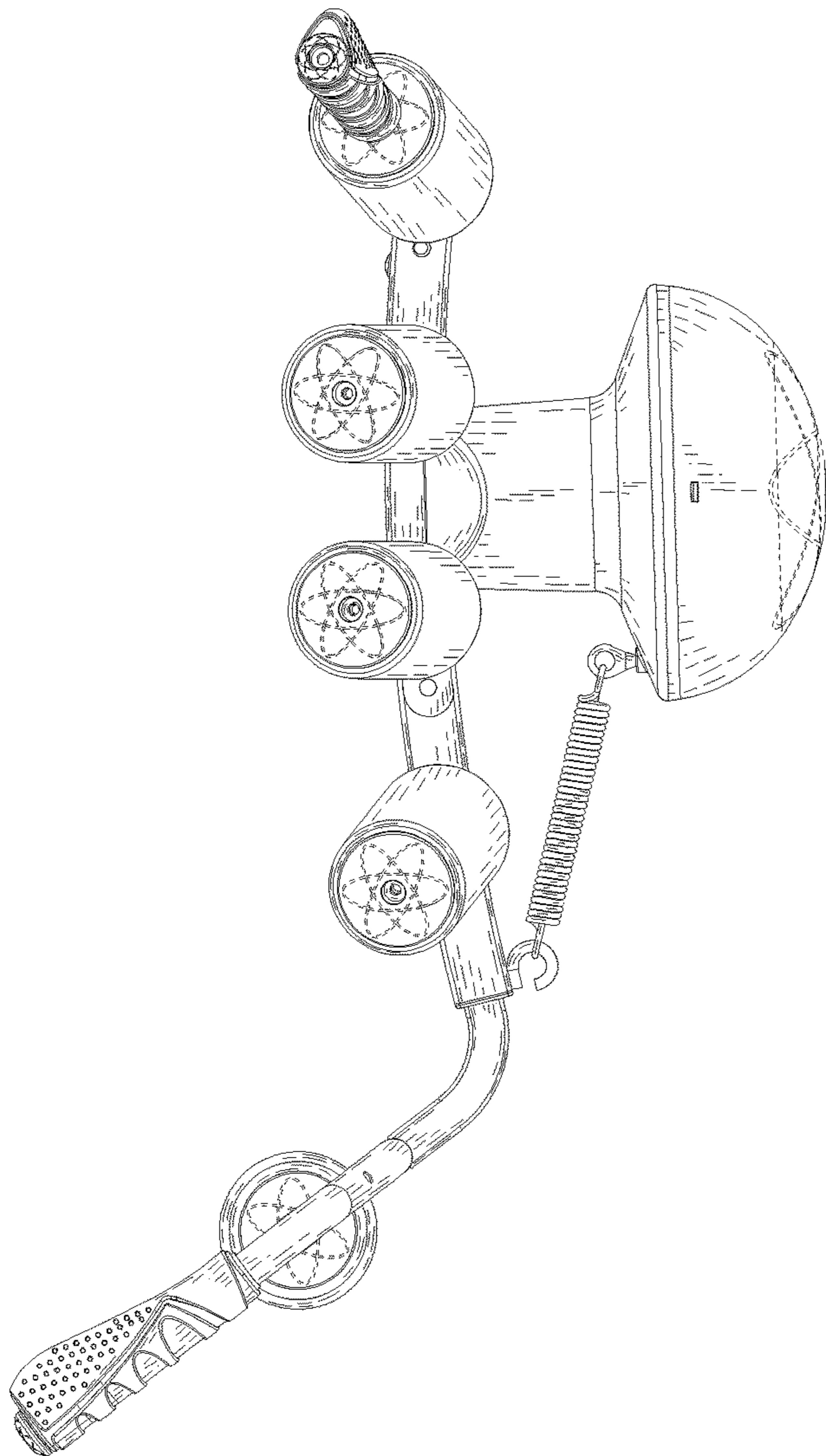


FIG. 3

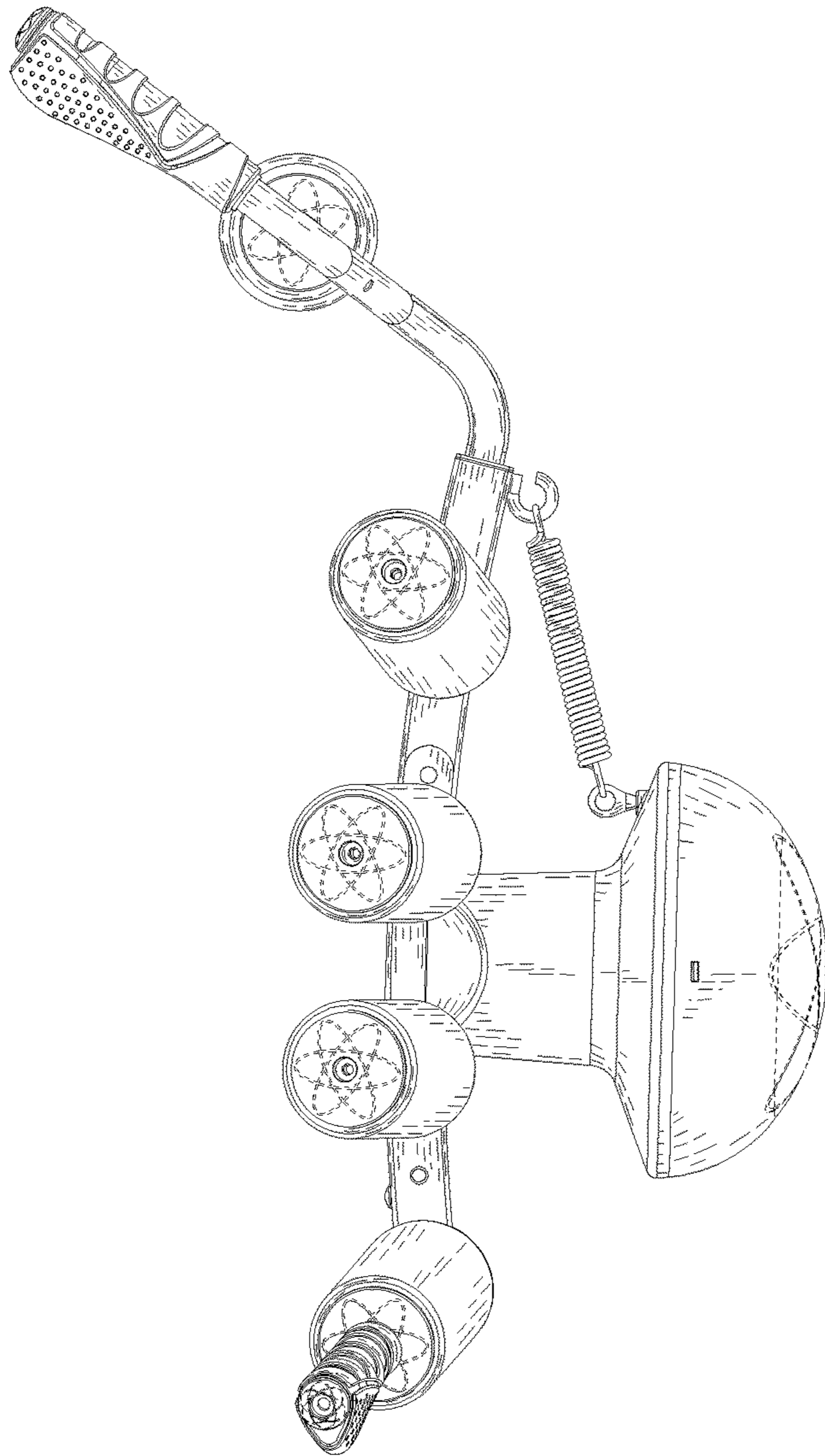


FIG. 4

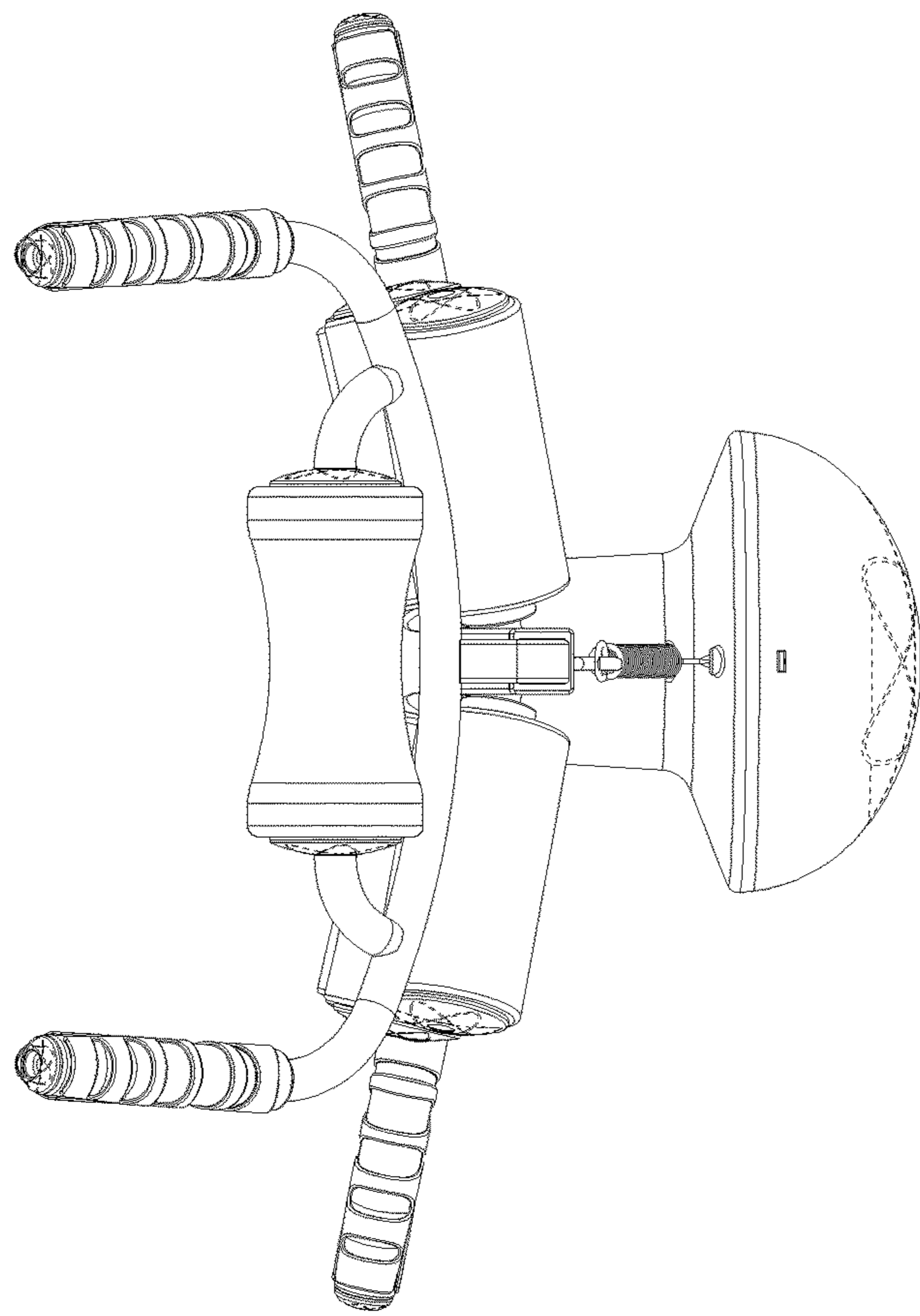


FIG. 5

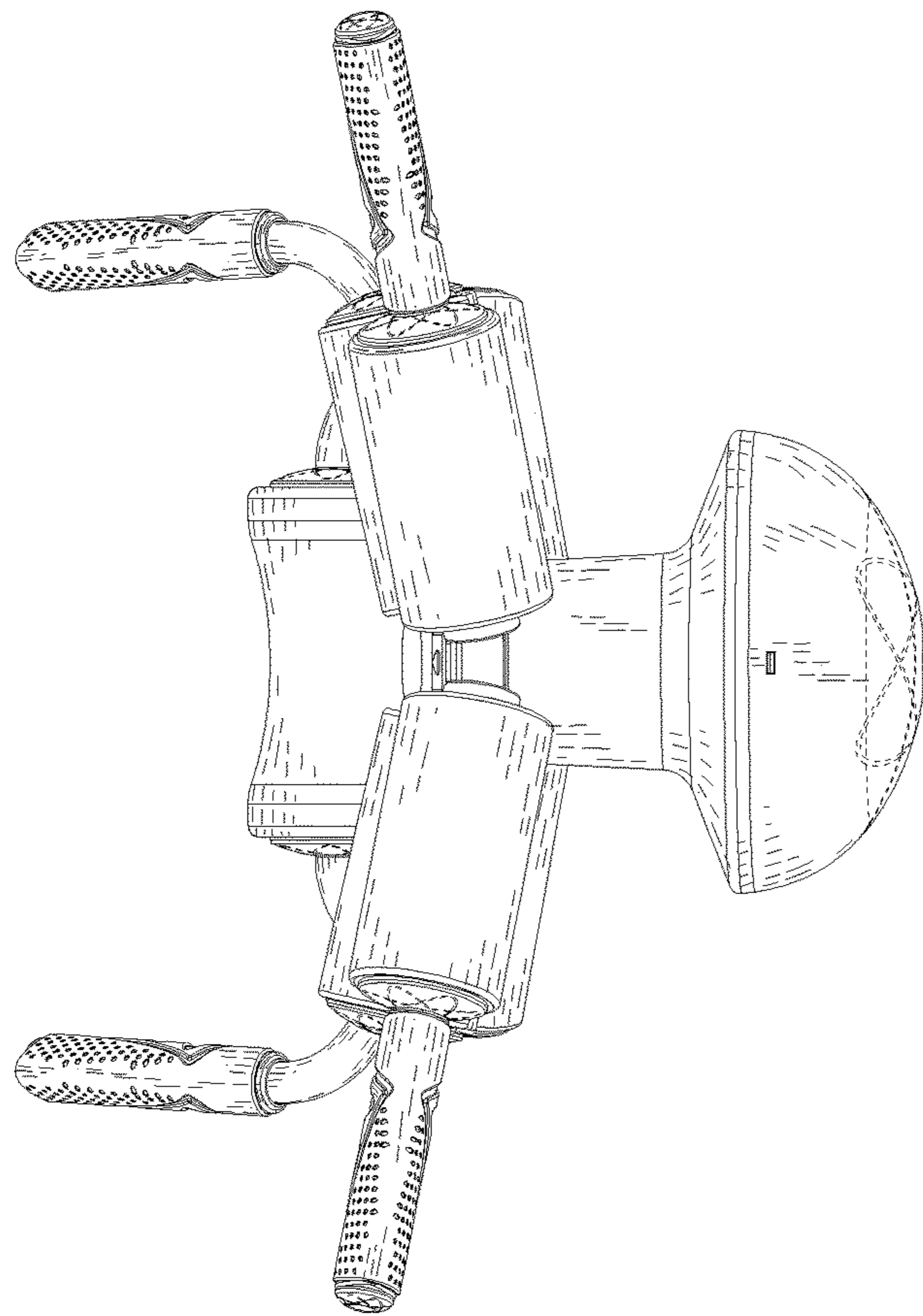


FIG. 6



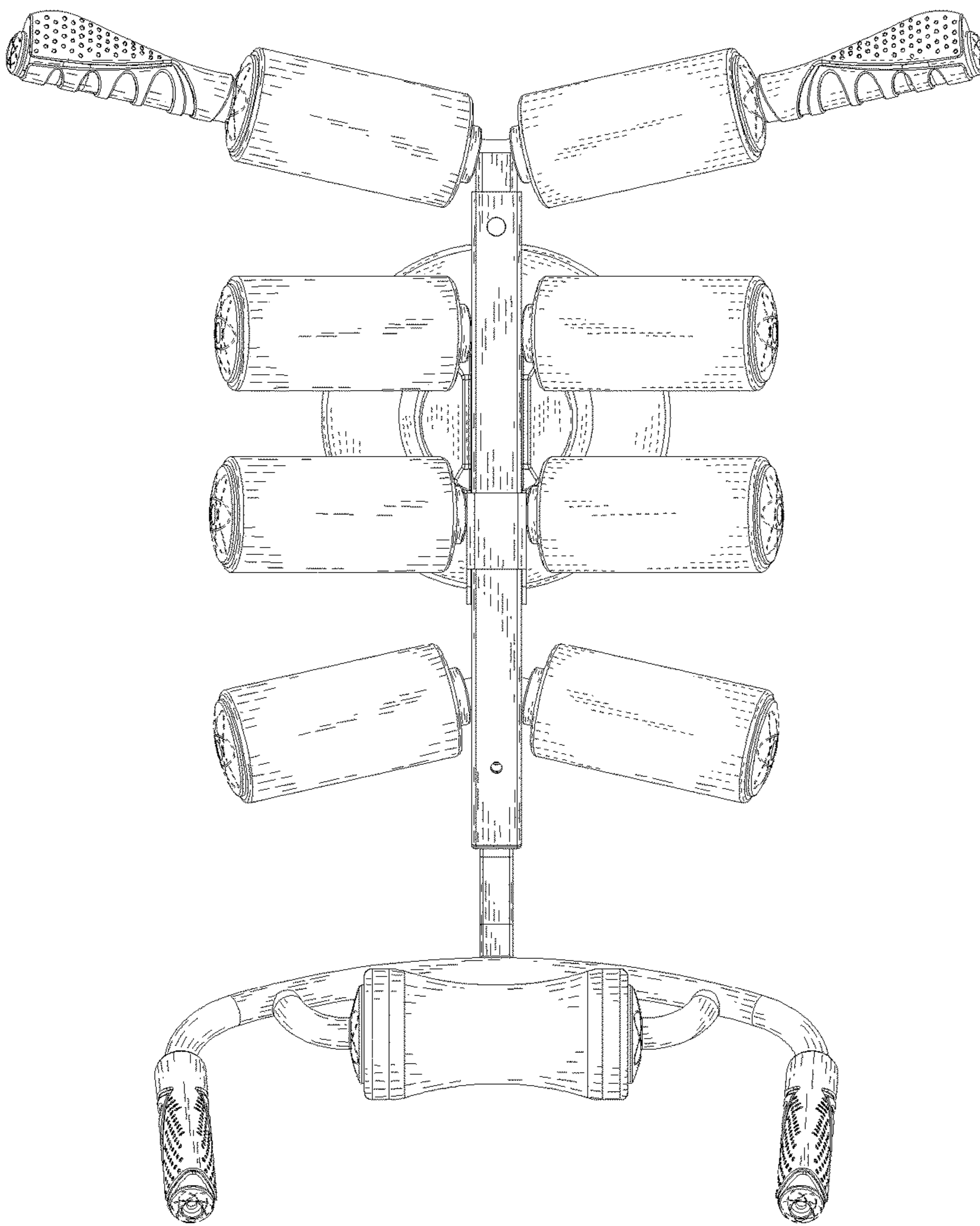


FIG. 7

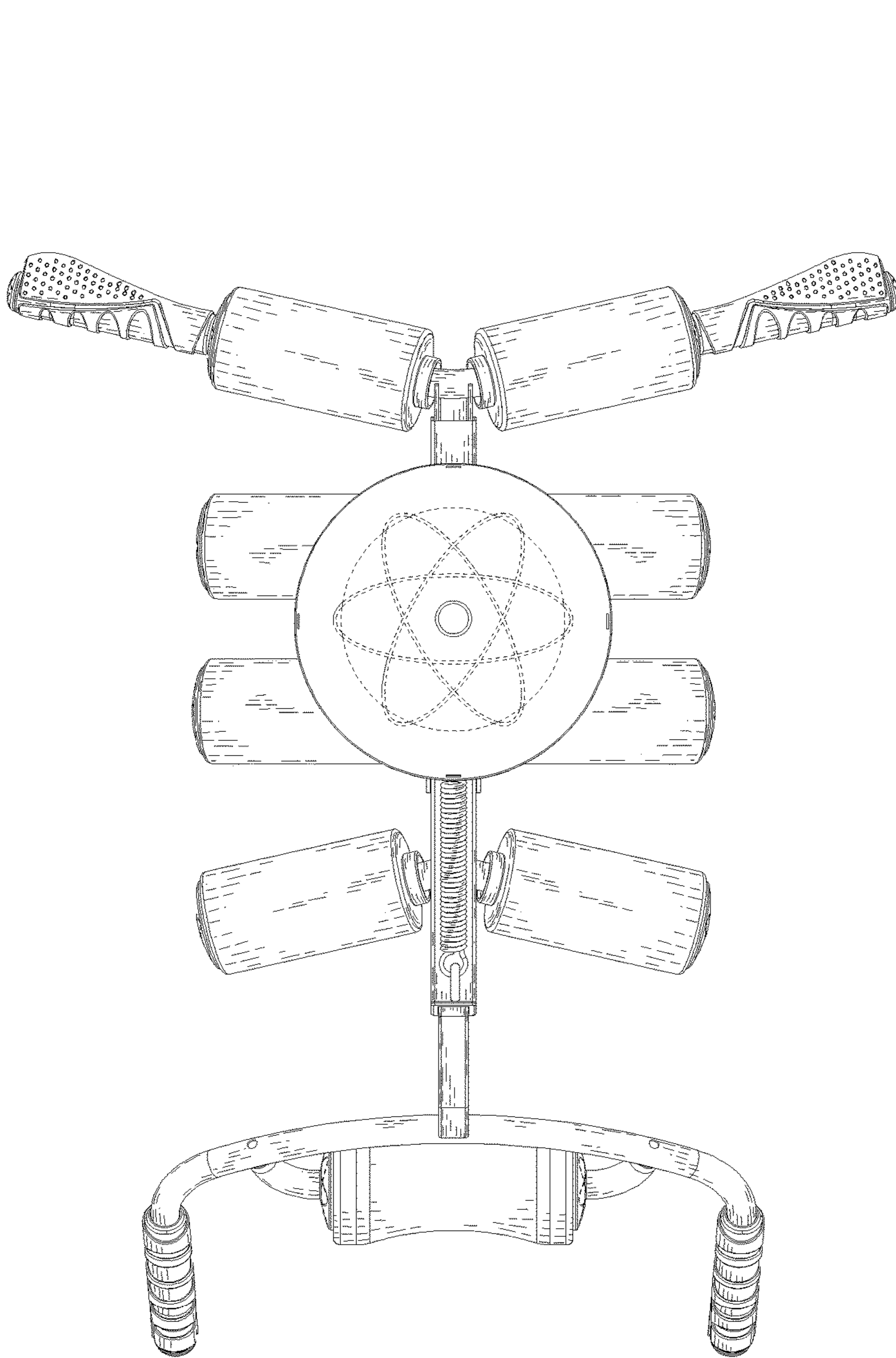


FIG. 8

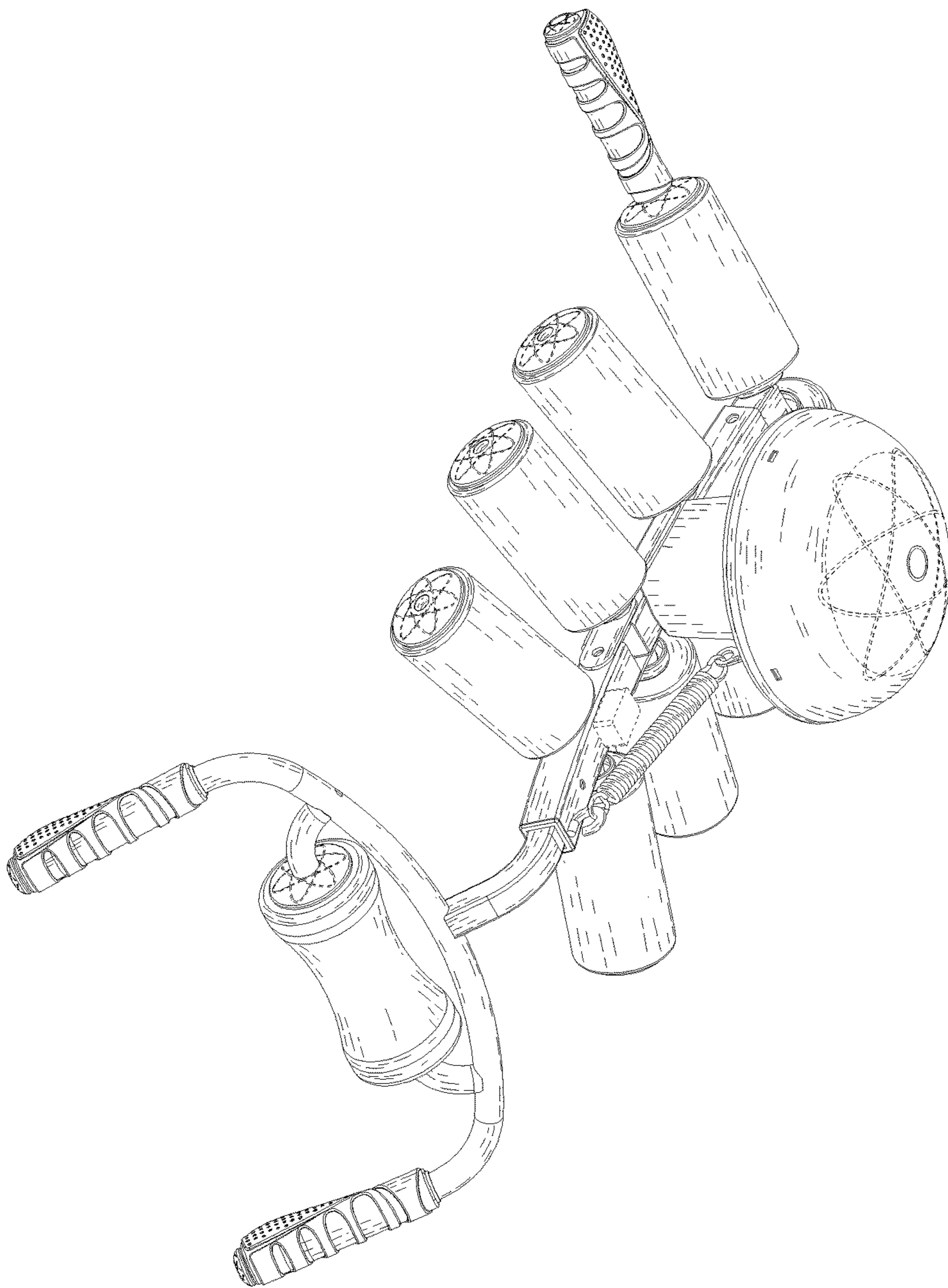


FIG. 9