



US00D814575S

(12) **United States Design Patent** (10) **Patent No.:** **US D814,575 S**
Colvin et al. (45) **Date of Patent:** **** Apr. 3, 2018**

(54) **GAMING MACHINE SIGNAGE**

(71) Applicant: **GAMING ARTS, LLC**, Las Vegas, NV (US)

(72) Inventors: **David Colvin**, Las Vegas, NV (US);
Eric D. Colvin, Las Vegas, NV (US)

(73) Assignee: **GAMING ARTS, LLC**, Las Vegas, NV (US)

(**) Term: **15 Years**

(21) Appl. No.: **29/583,586**

(22) Filed: **Nov. 7, 2016**

(51) **LOC (11) Cl.** **21-01**

(52) **U.S. Cl.**
USPC **D21/385**

(58) **Field of Classification Search**
USPC D21/300, 334, 335, 363, 365, 369,
D21/376-383, 385-389, 392-394, 396,
(Continued)

(56) **References Cited**

U.S. PATENT DOCUMENTS

D383,802 S * 9/1997 Levy D21/370
D412,347 S * 7/1999 DeSimone D21/370
(Continued)

Primary Examiner — George D. Kirschbaum
Assistant Examiner — Joseph J Kukella
(74) *Attorney, Agent, or Firm* — David L. Berdan

(57) **CLAIM**

The ornamental design for gaming machine signage, as shown and described.

DESCRIPTION

FIG. 1 is a perspective view of the gaming machine signage showing our new design;

FIG. 2 is a front elevational view of the gaming machine signage of FIG. 1;

FIG. 3 is a left side elevational view of the gaming machine signage of FIG. 1;

FIG. 4 is a right side elevational view of the gaming machine signage of FIG. 1;

FIG. 5 is a rear elevational view of the gaming machine signage of FIG. 1;

FIG. 6 is a top plan view of the gaming machine signage of FIG. 1;

FIG. 7 is a bottom plan view of the gaming machine signage of FIG. 1;

FIG. 8 is a perspective view of a first alternative embodiment of the gaming machine signage of our new design;

FIG. 9 is a front elevational view of the gaming machine signage of FIG. 8;

FIG. 10 is a left side elevational view of the gaming machine signage of FIG. 8;

FIG. 11 is a right side elevational view of the gaming machine signage of FIG. 8;

FIG. 12 is a back elevational view of the gaming machine signage of FIG. 8;

FIG. 13 is a top plan view of the gaming machine signage of FIG. 8;

FIG. 14 is a bottom plan view of the gaming machine signage of FIG. 8;

FIG. 15 is a perspective view of a second alternative embodiment of the gaming machine signage of our new design;

FIG. 16 is a front elevational view of the gaming machine signage of FIG. 15;

FIG. 17 is a left side elevational view of the gaming machine signage of FIG. 15;

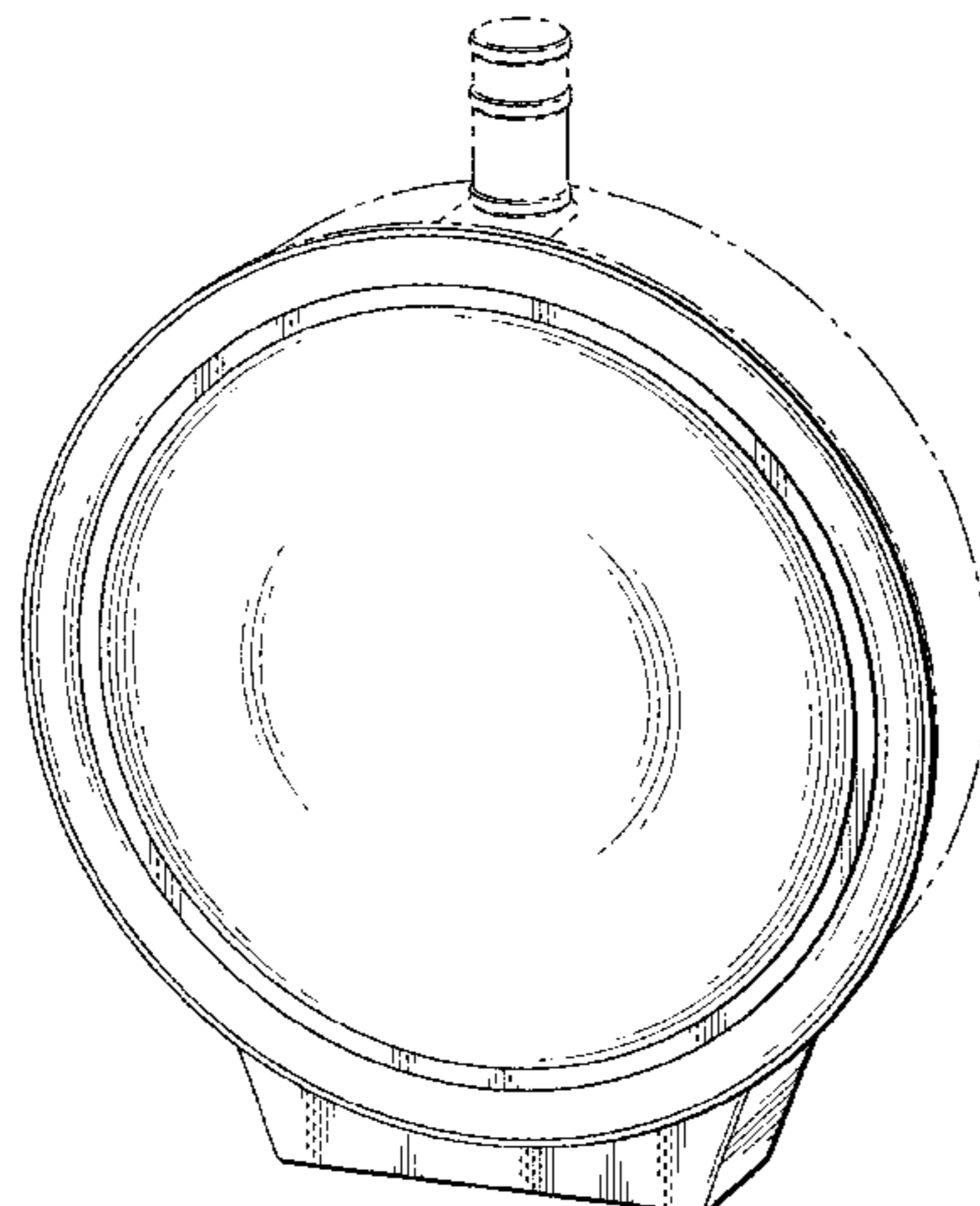
FIG. 18 is a right side elevational view of the gaming machine signage of FIG. 15;

FIG. 19 is a rear elevational view of the gaming machine signage of FIG. 15;

FIG. 20 is a top elevational view of the gaming machine signage of FIG. 15; and,

FIG. 21 is a bottom elevational view of the gaming machine signage of FIG. 15.

(Continued)



In the drawings, the broken lines depict environmental subject matter only and form no part of the claimed design.

1 Claim, 6 Drawing Sheets

(58) Field of Classification Search

USPC D21/397, 483, 484, 488–491, 493, 494,
D21/506, 507, 576, 621, 627;
D25/113–115, 118
CPC A63F 2001/001; A63F 2001/003; A63F
2001/005; A63F 2001/006; A63F 1/062;
A63F 1/067; A63F 1/08; A63F 1/10;
A63F 1/12; A63F 1/14; A63F 7/0017;
A63F 7/0023; A63F 9/20

See application file for complete search history.

(56) References Cited

U.S. PATENT DOCUMENTS

D519,571 S *	4/2006	Myers	D21/369
D524,380 S *	7/2006	Seelig	D21/370
D536,390 S *	2/2007	Van Ness	D21/386
D536,391 S *	2/2007	Van Ness	D21/386
D624,604 S *	9/2010	Wudtke	D21/370
D665,033 S *	8/2012	DeSimone	D21/385
D665,853 S *	8/2012	DeSimone	D21/370
D681,129 S *	4/2013	DeSimone	D21/370

* cited by examiner

FIG. 1

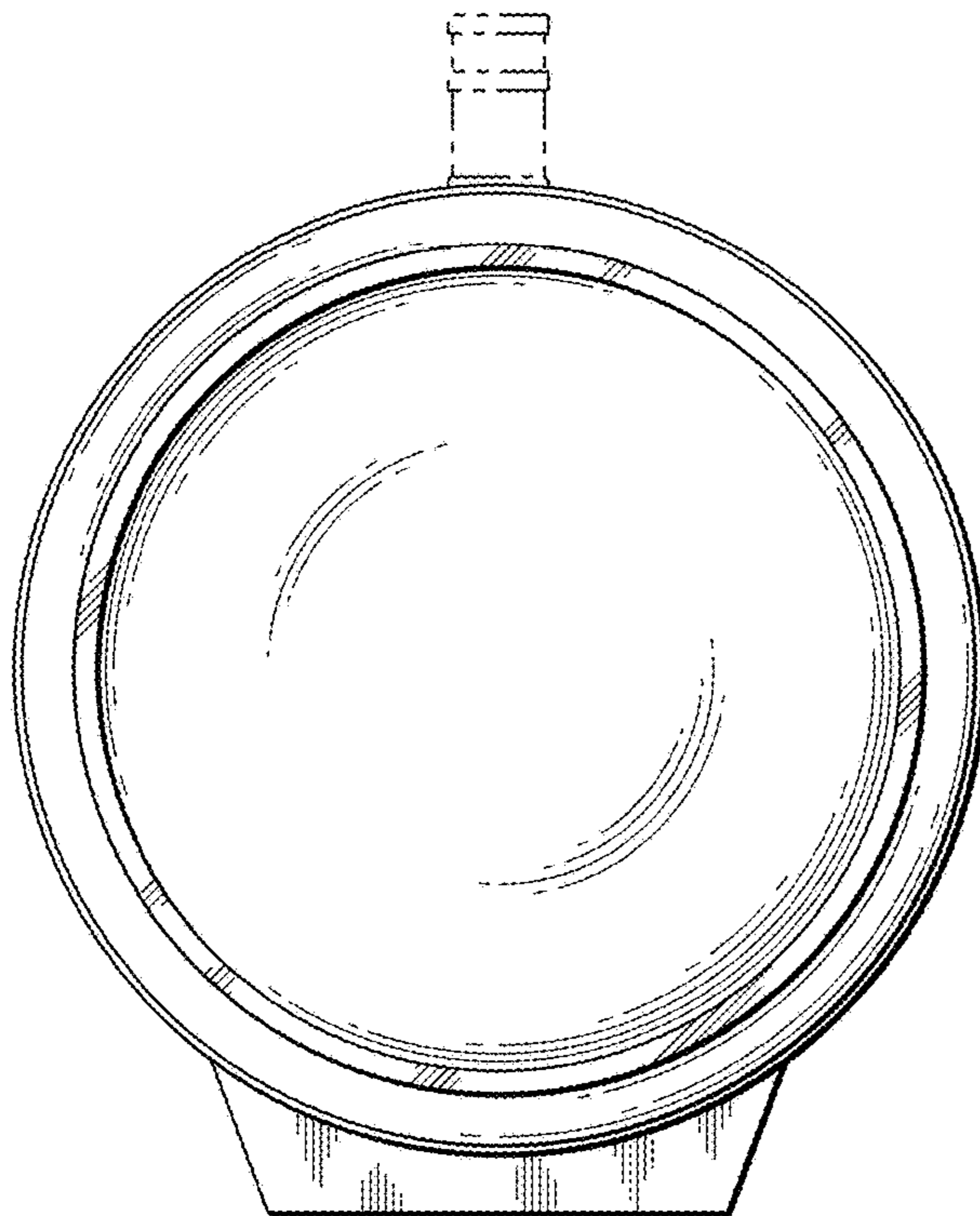
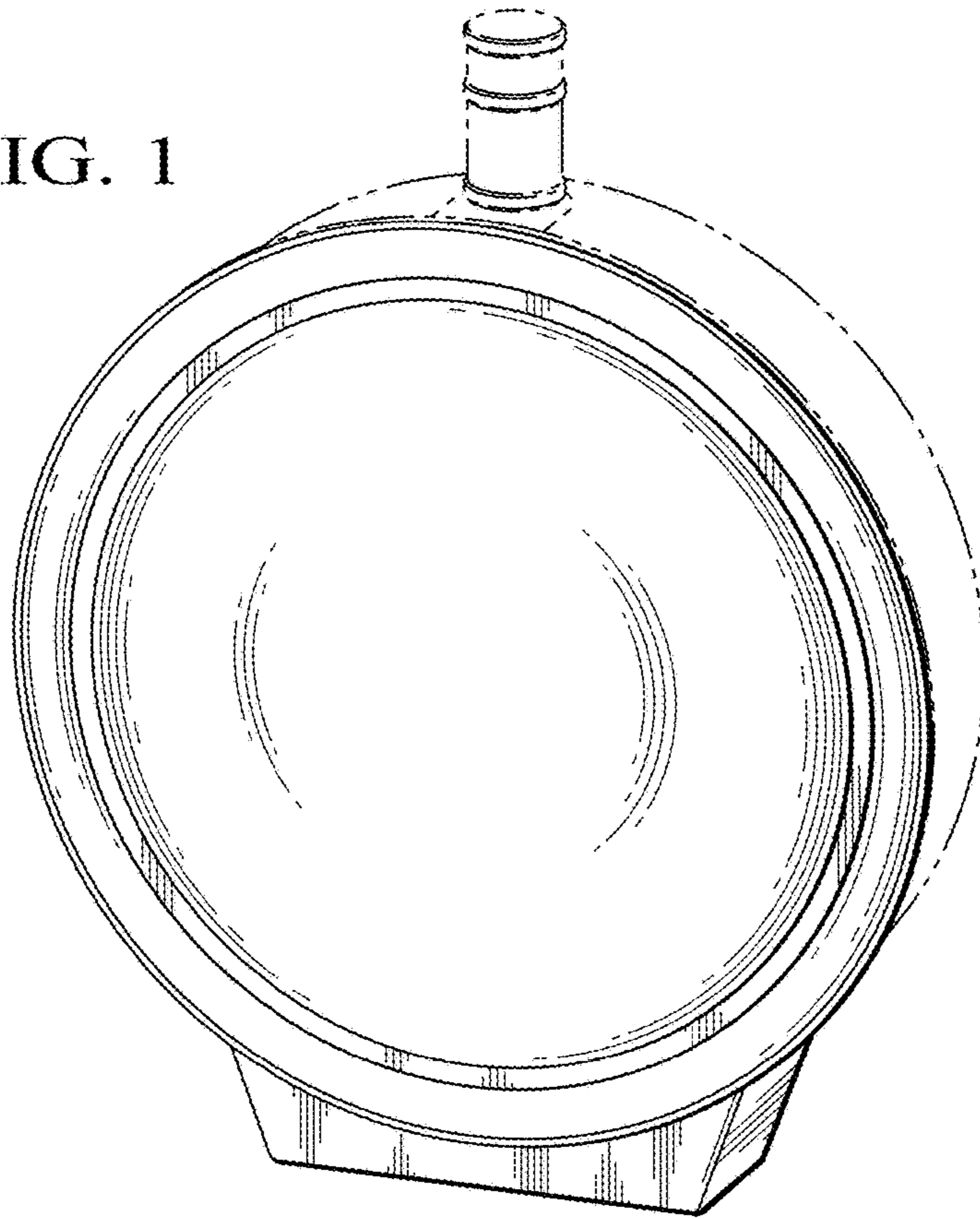


FIG. 2

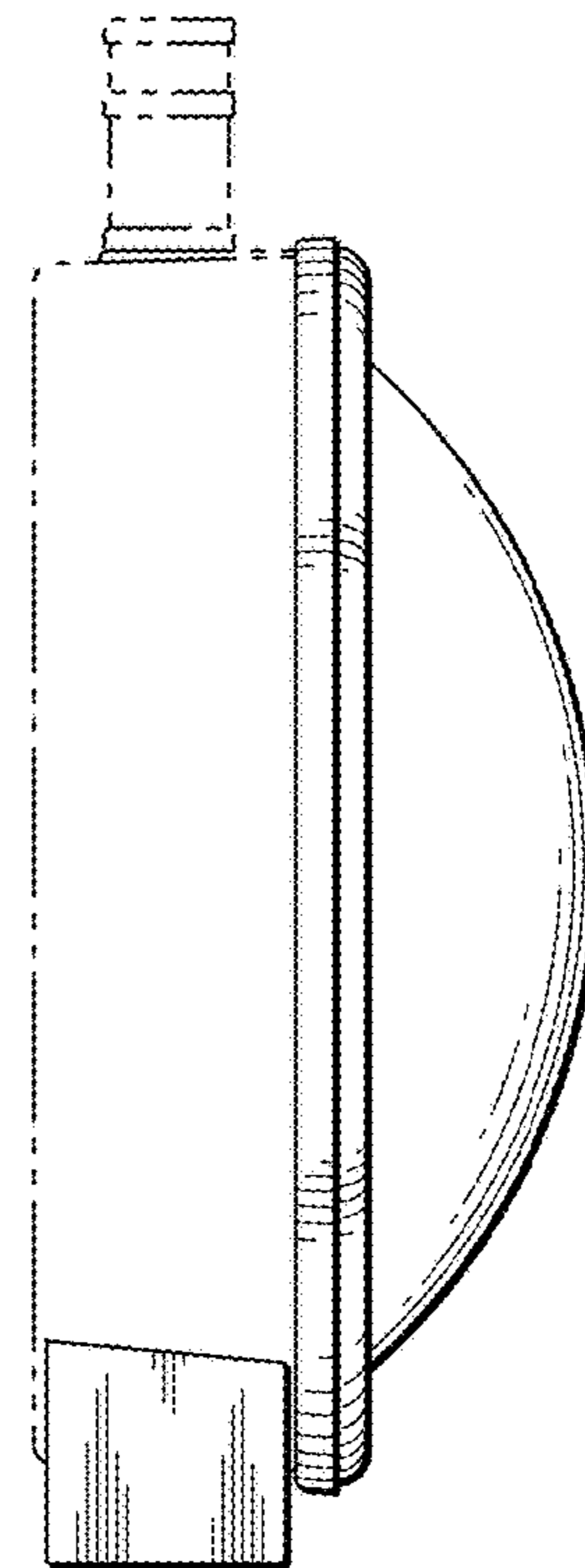


FIG. 3

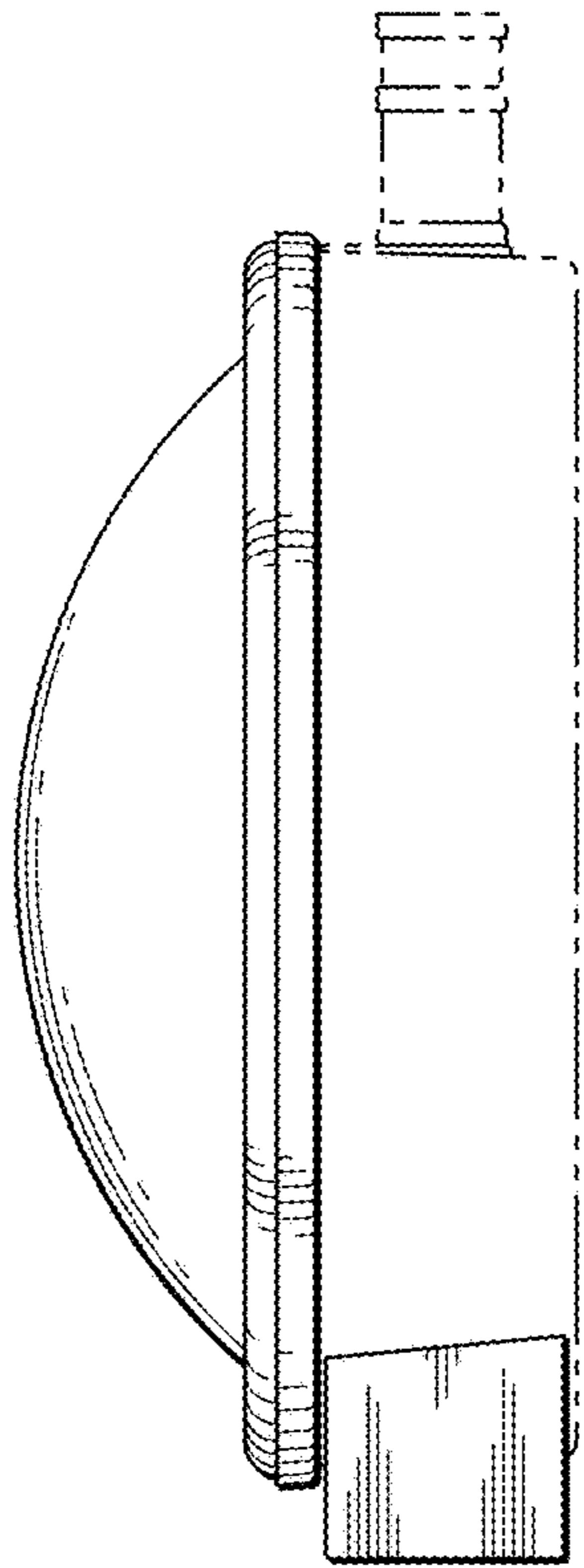


FIG. 4

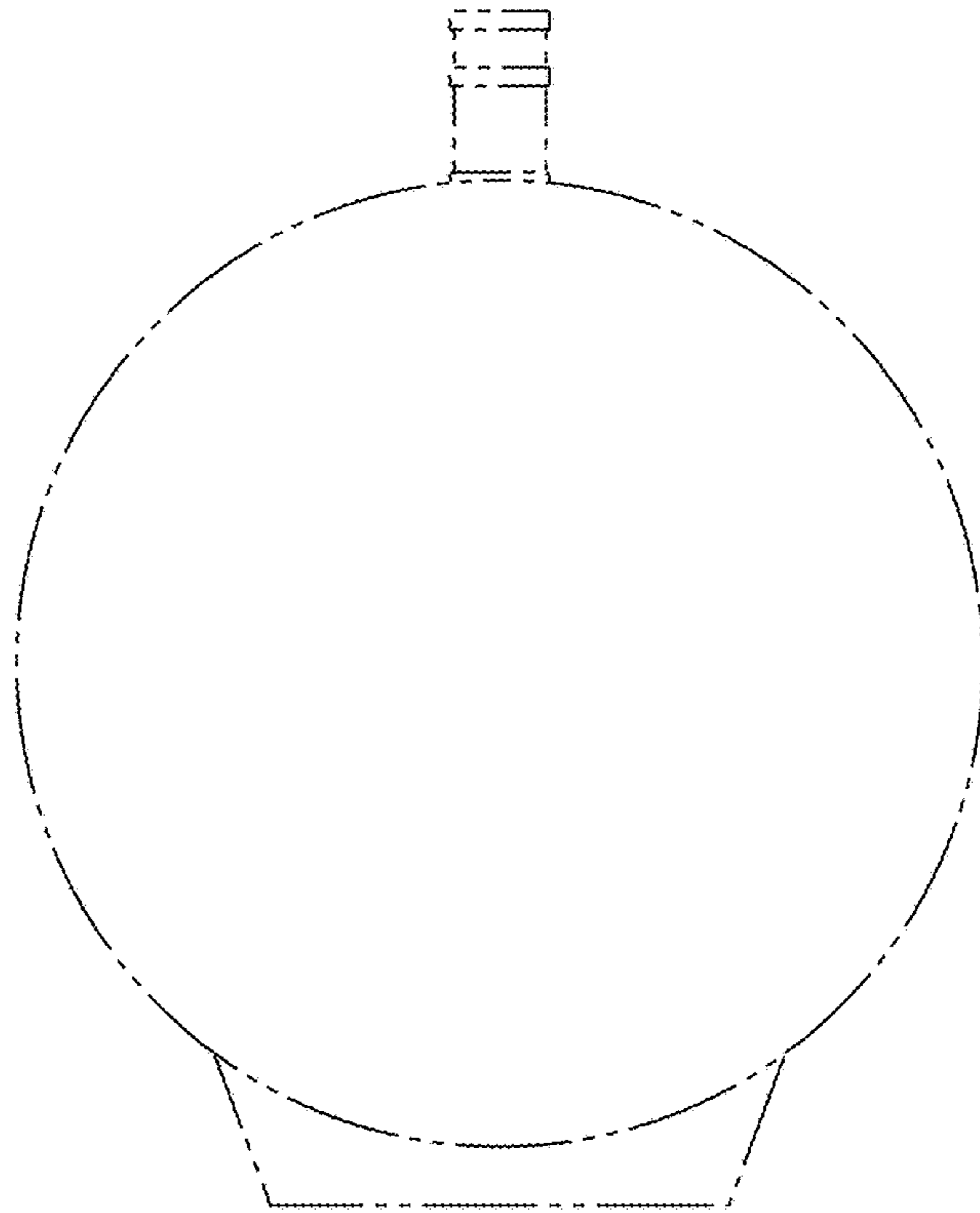


FIG. 5

FIG. 6

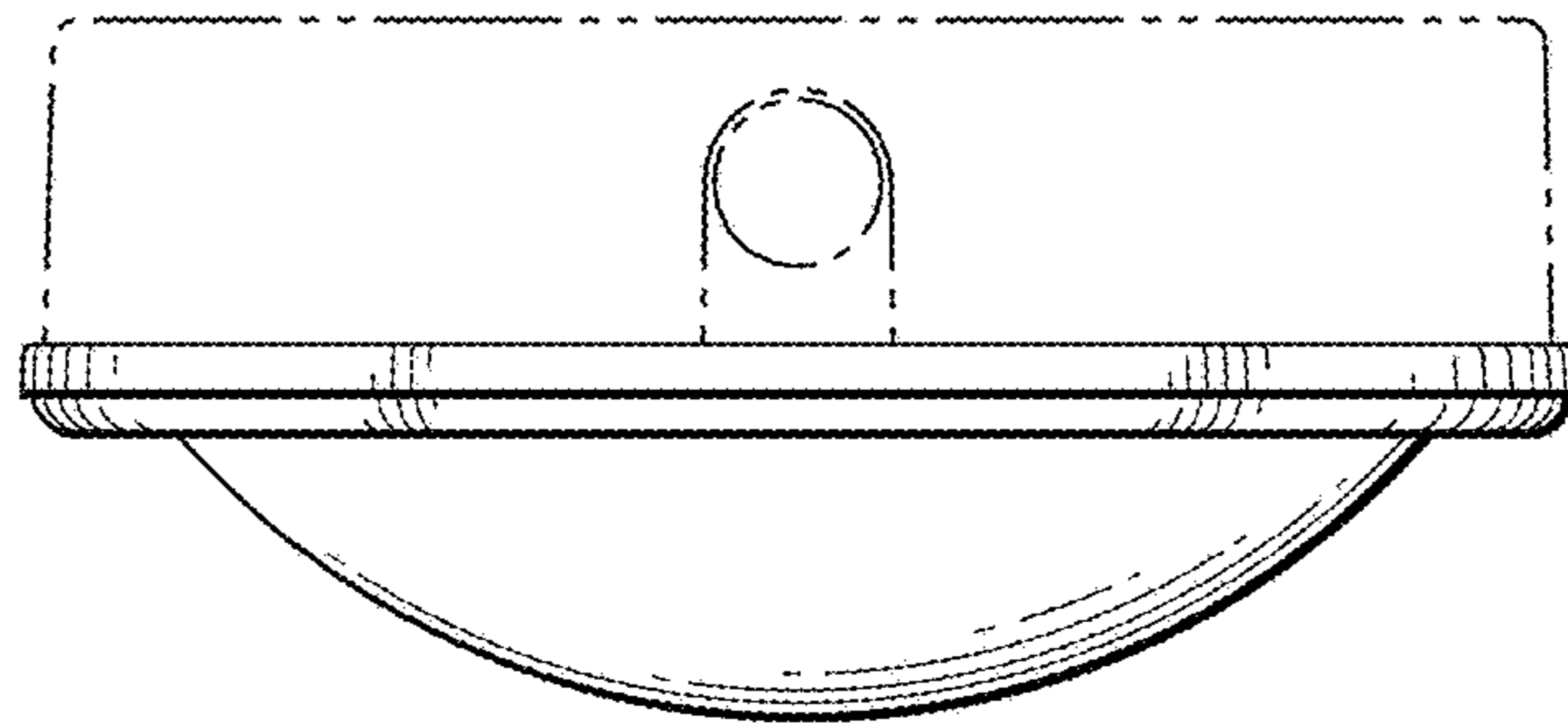


FIG. 7

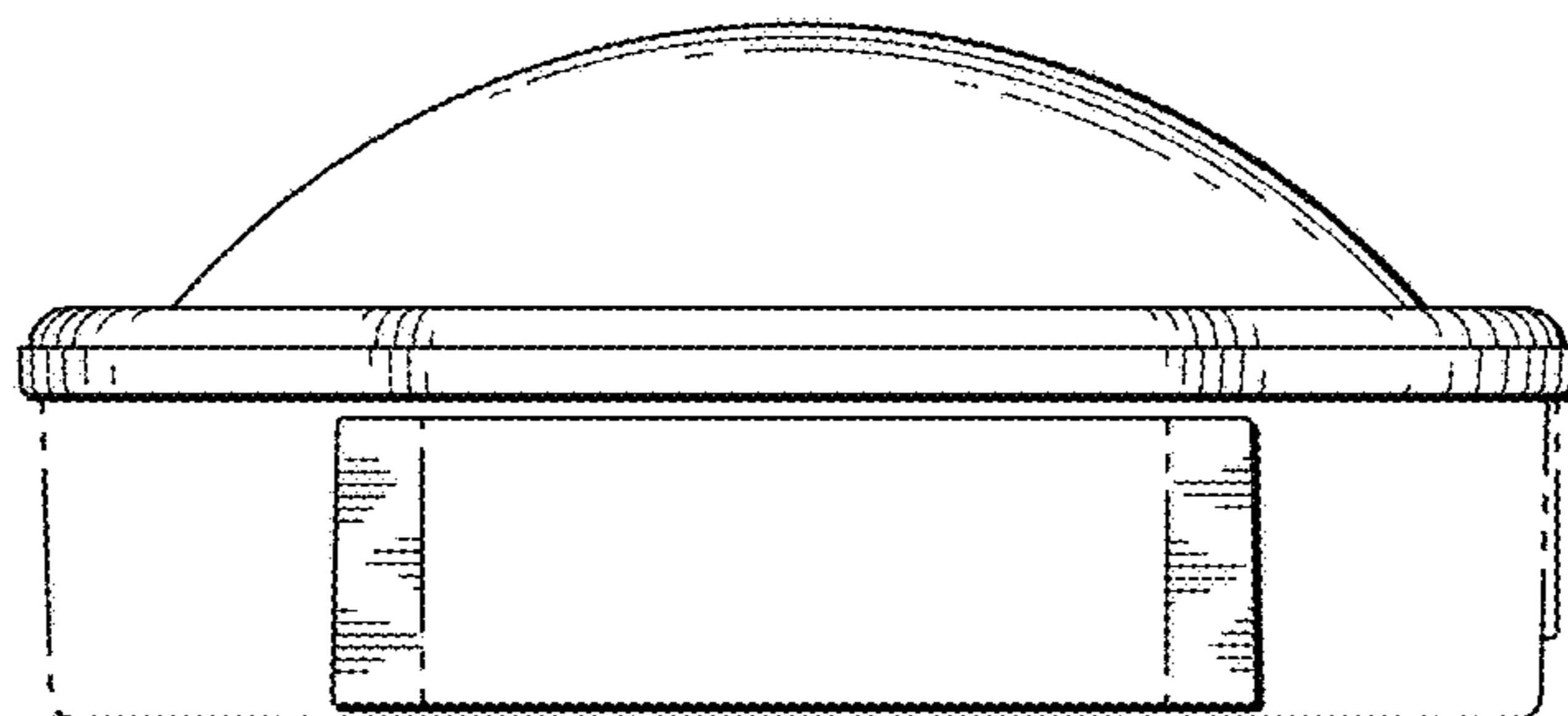


FIG. 8

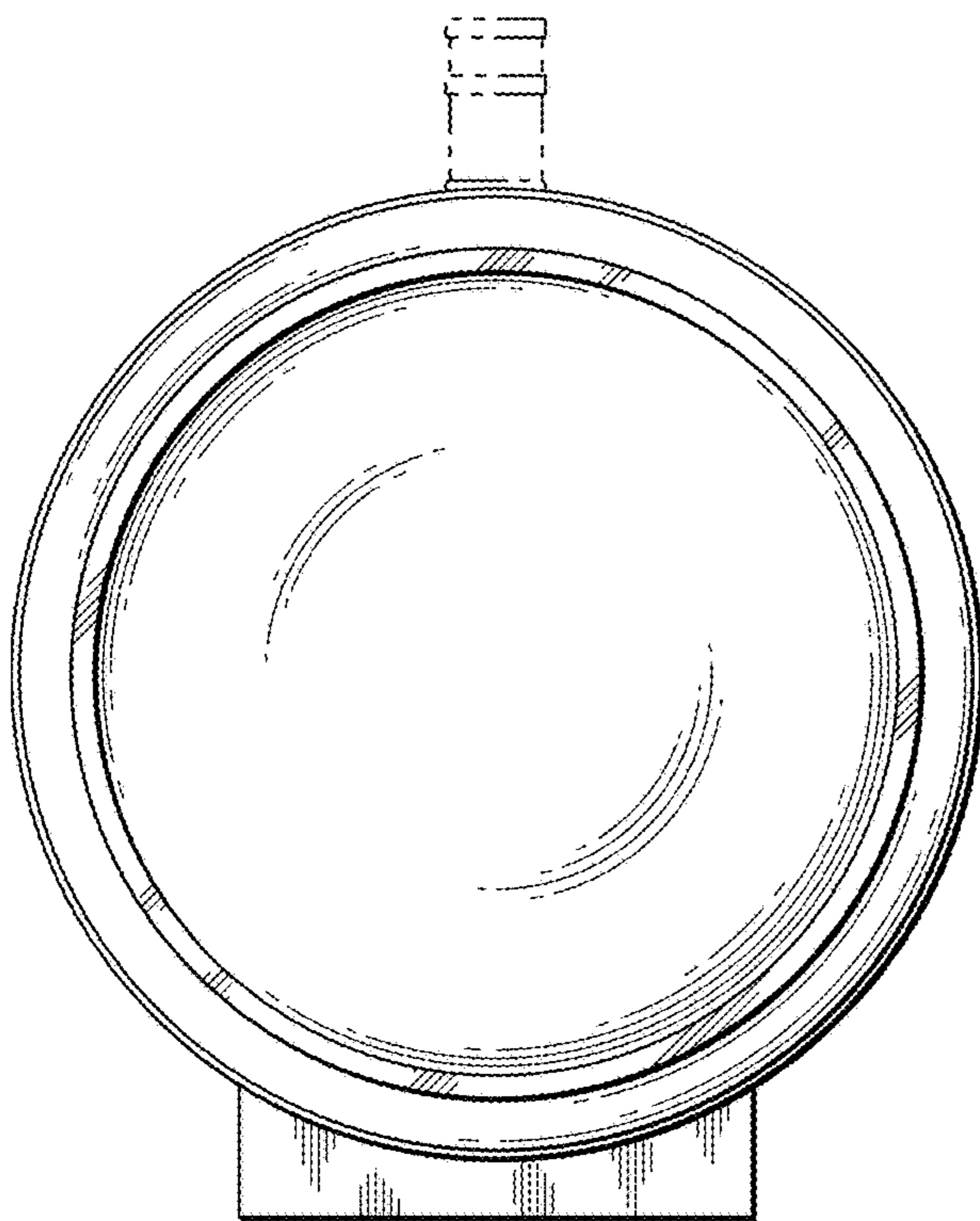
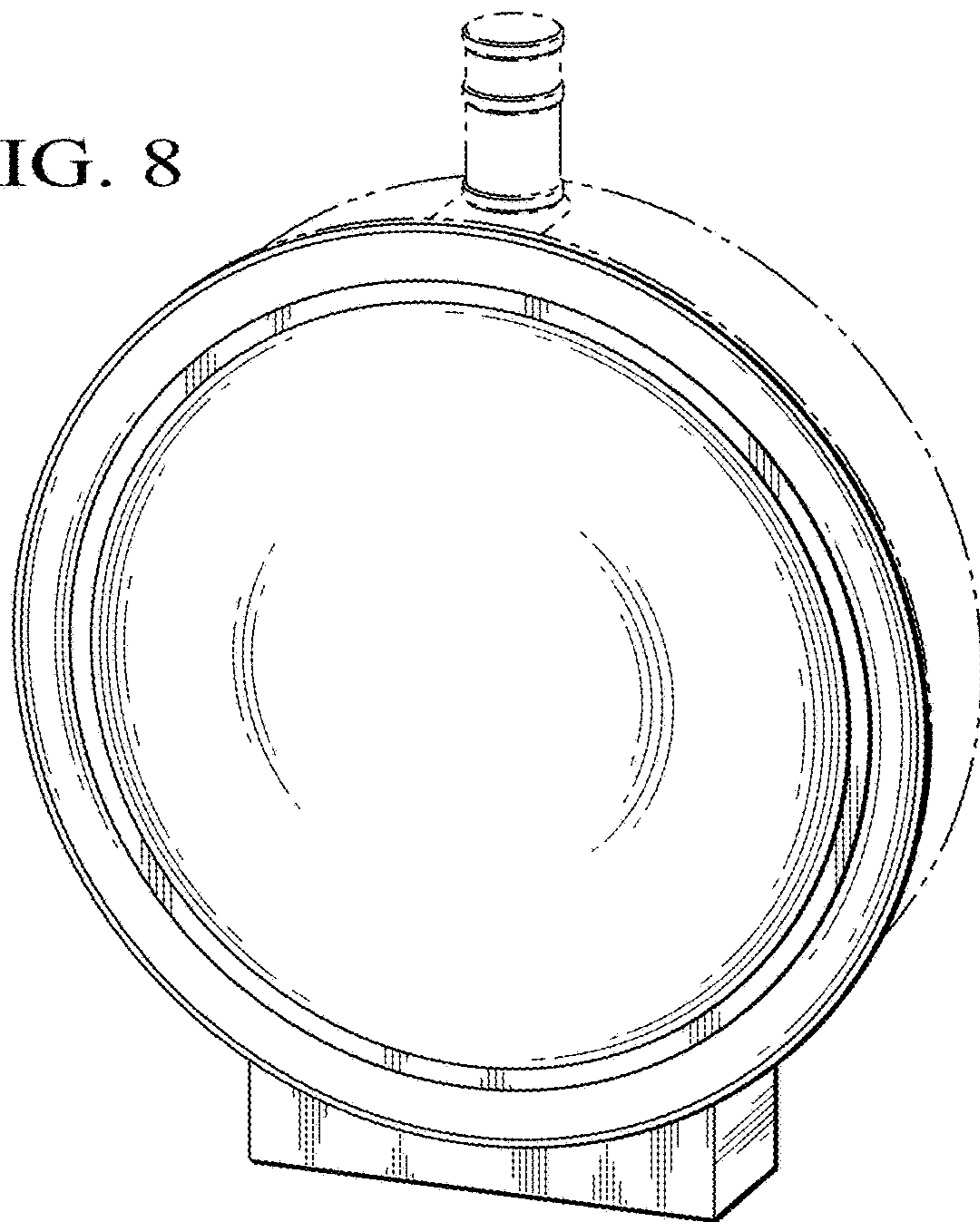


FIG. 9

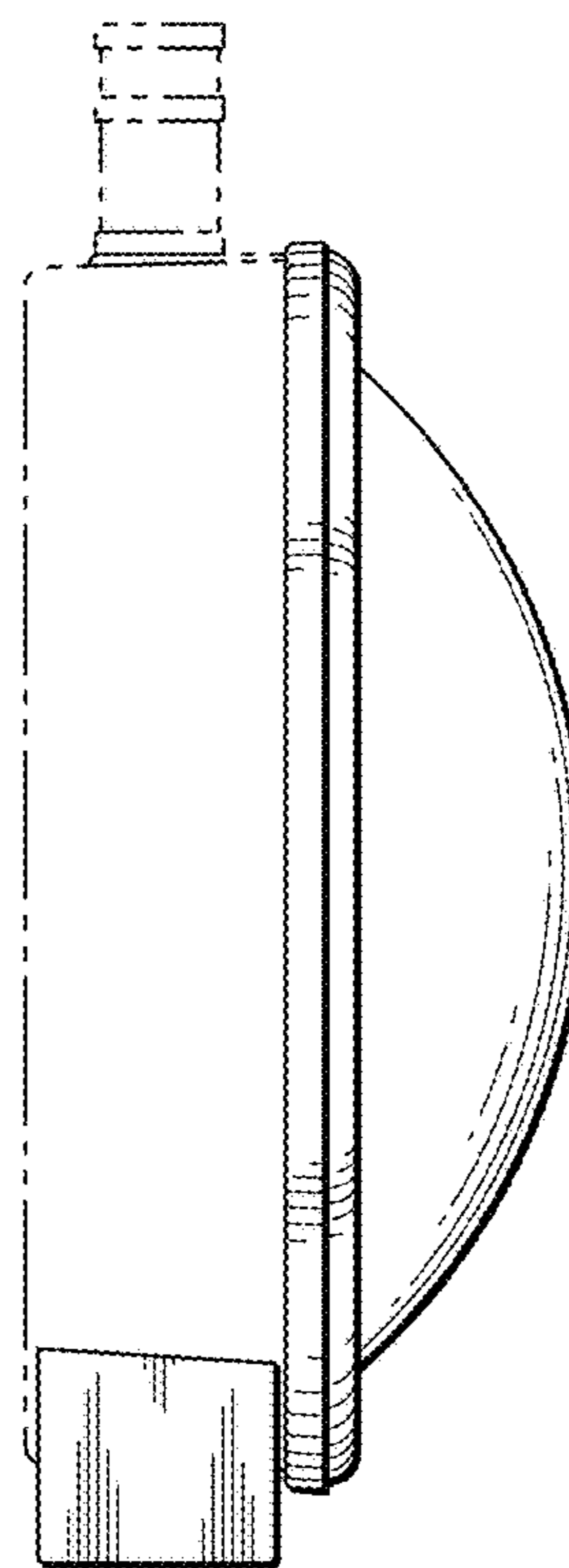


FIG. 10

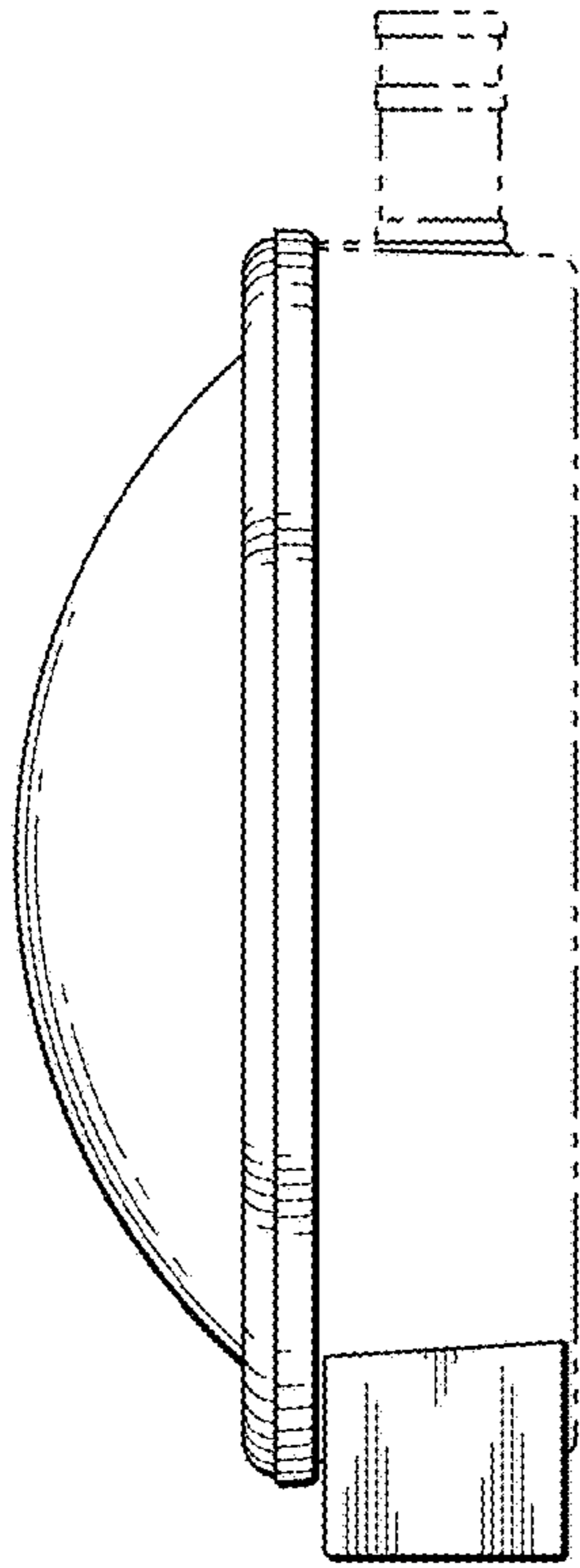


FIG. 11

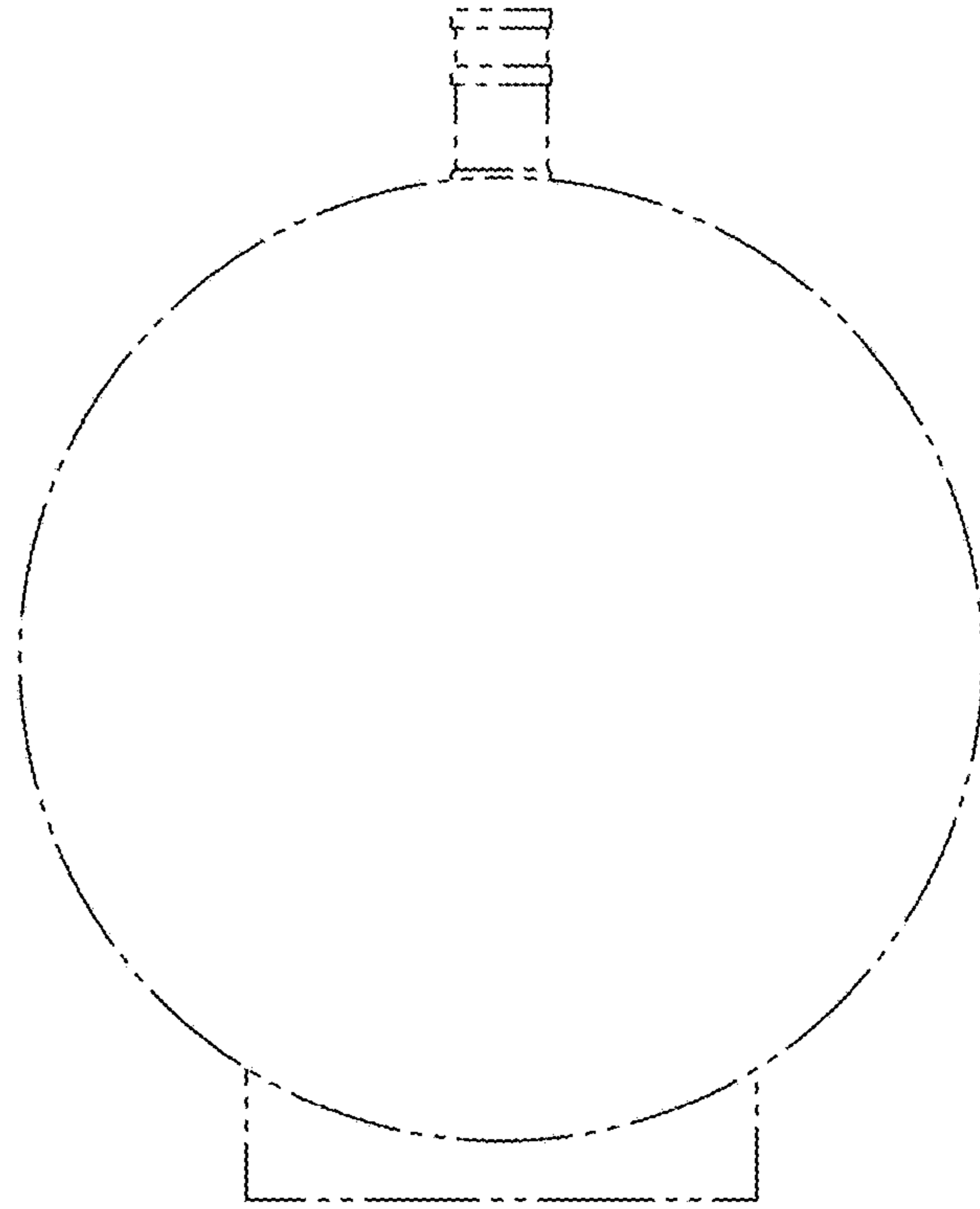


FIG. 12

FIG. 13

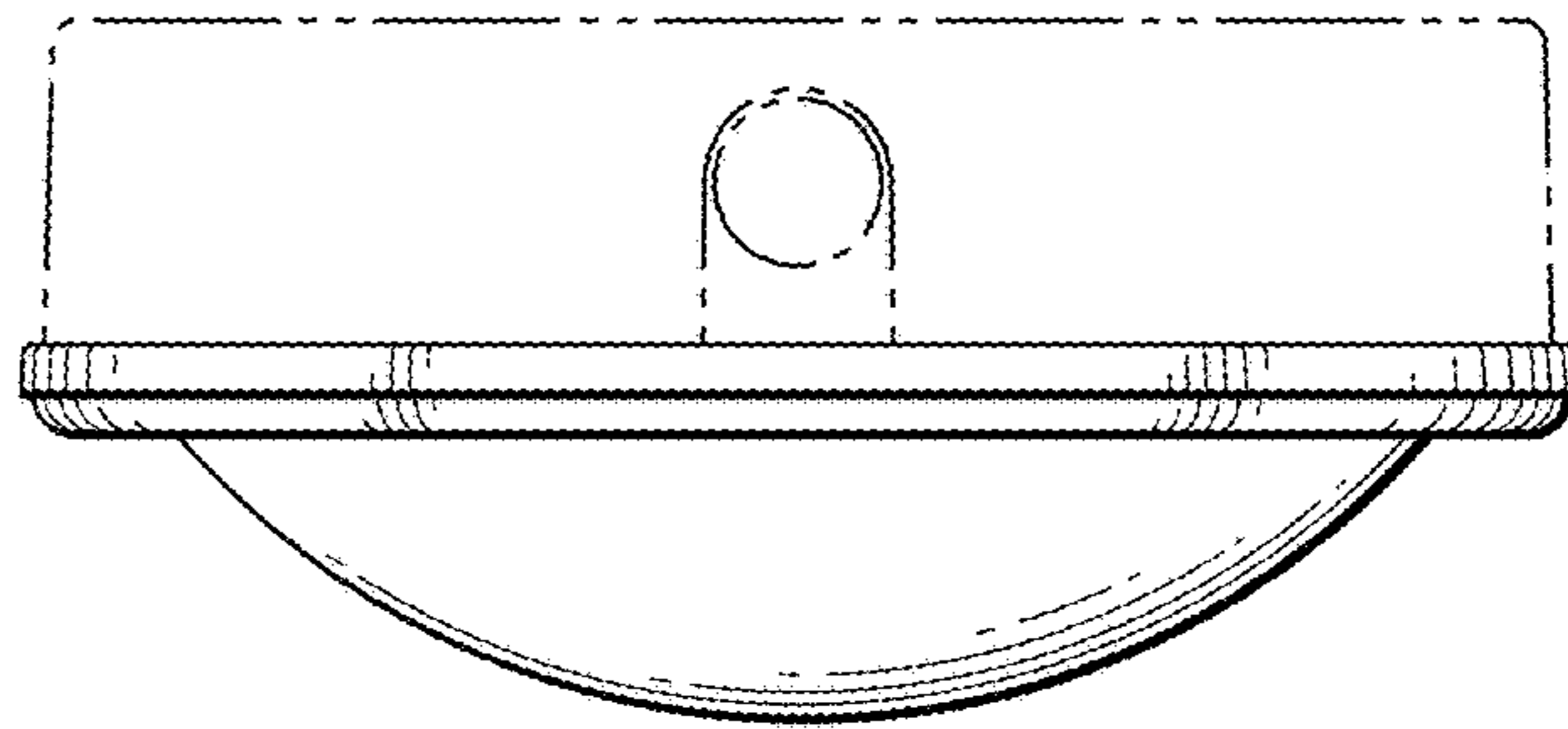


FIG. 14

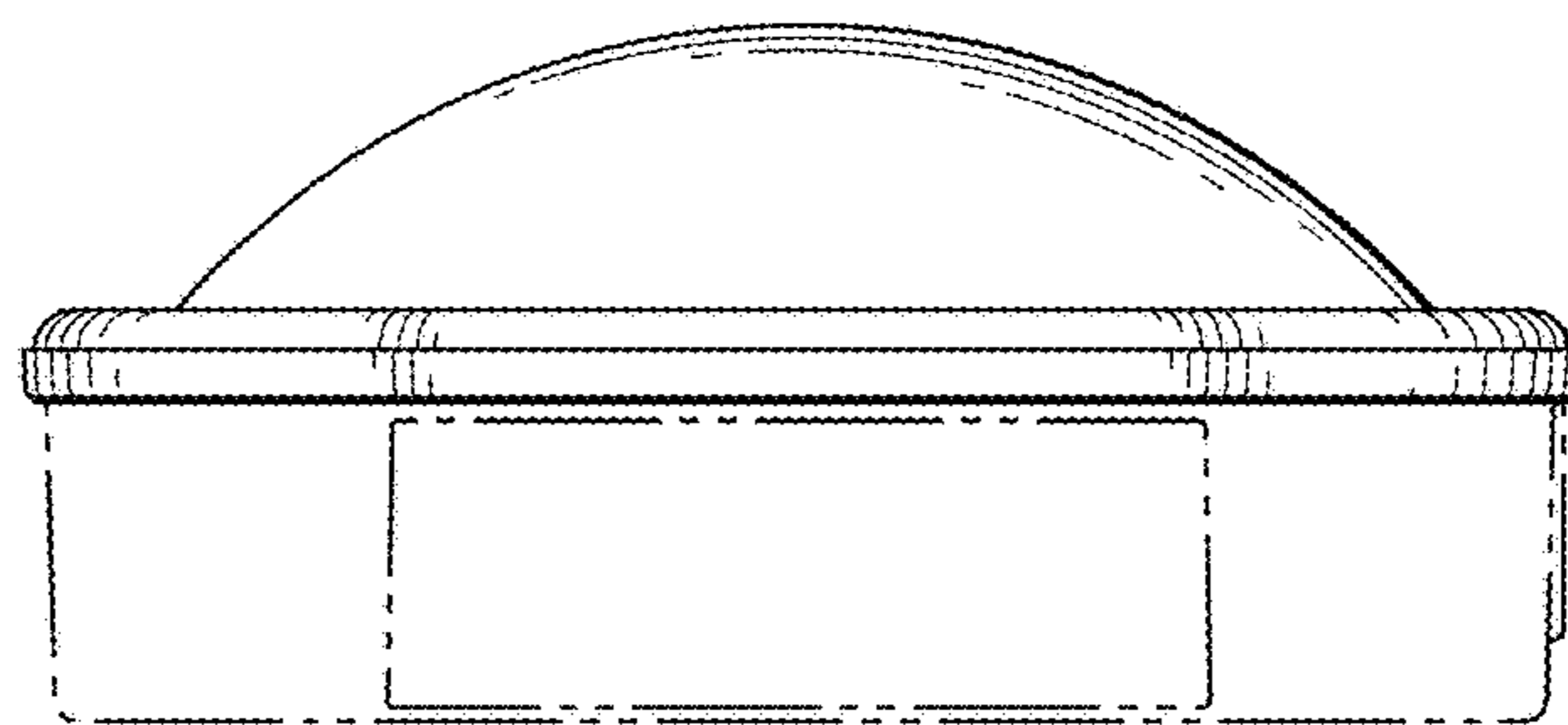


FIG. 15

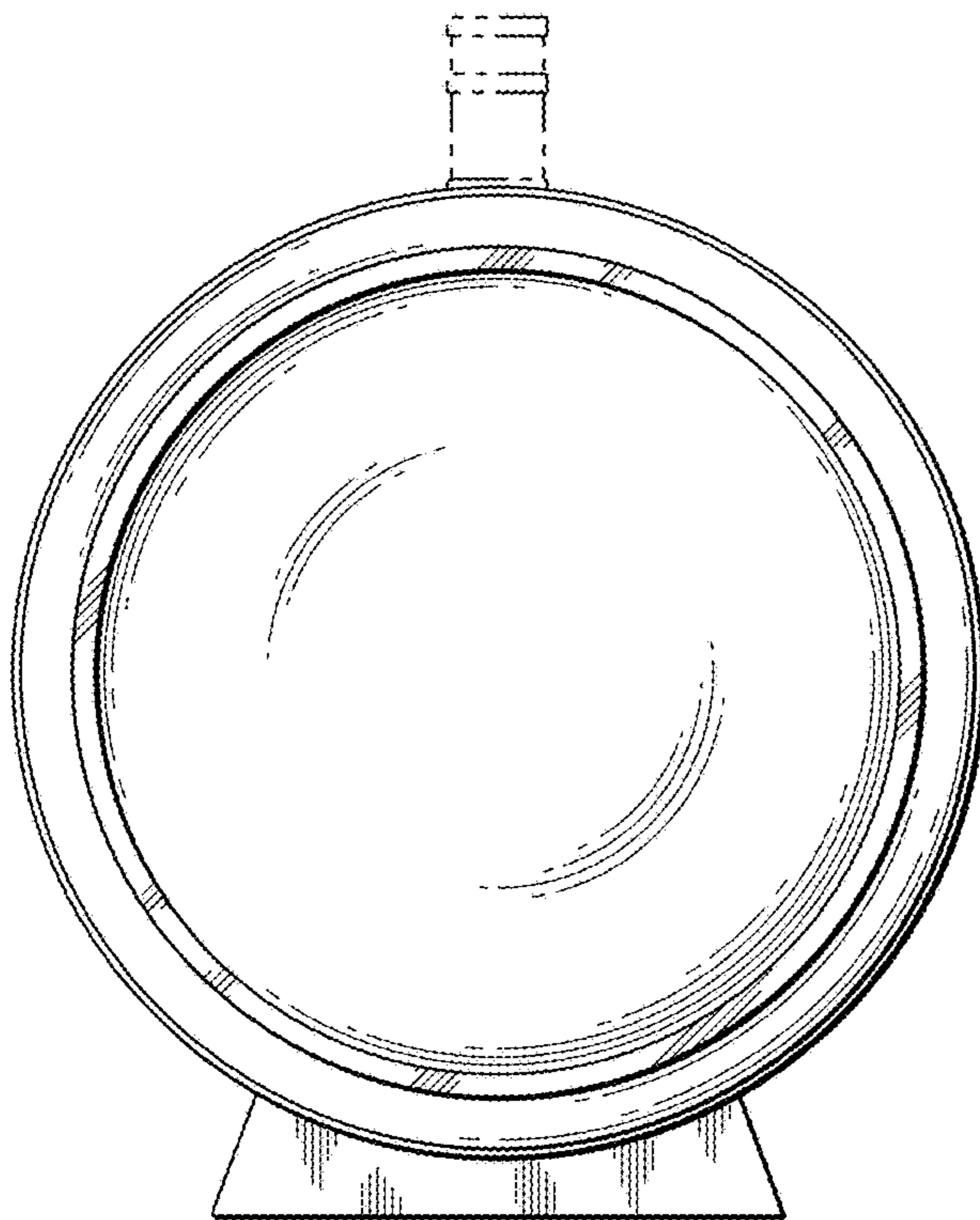
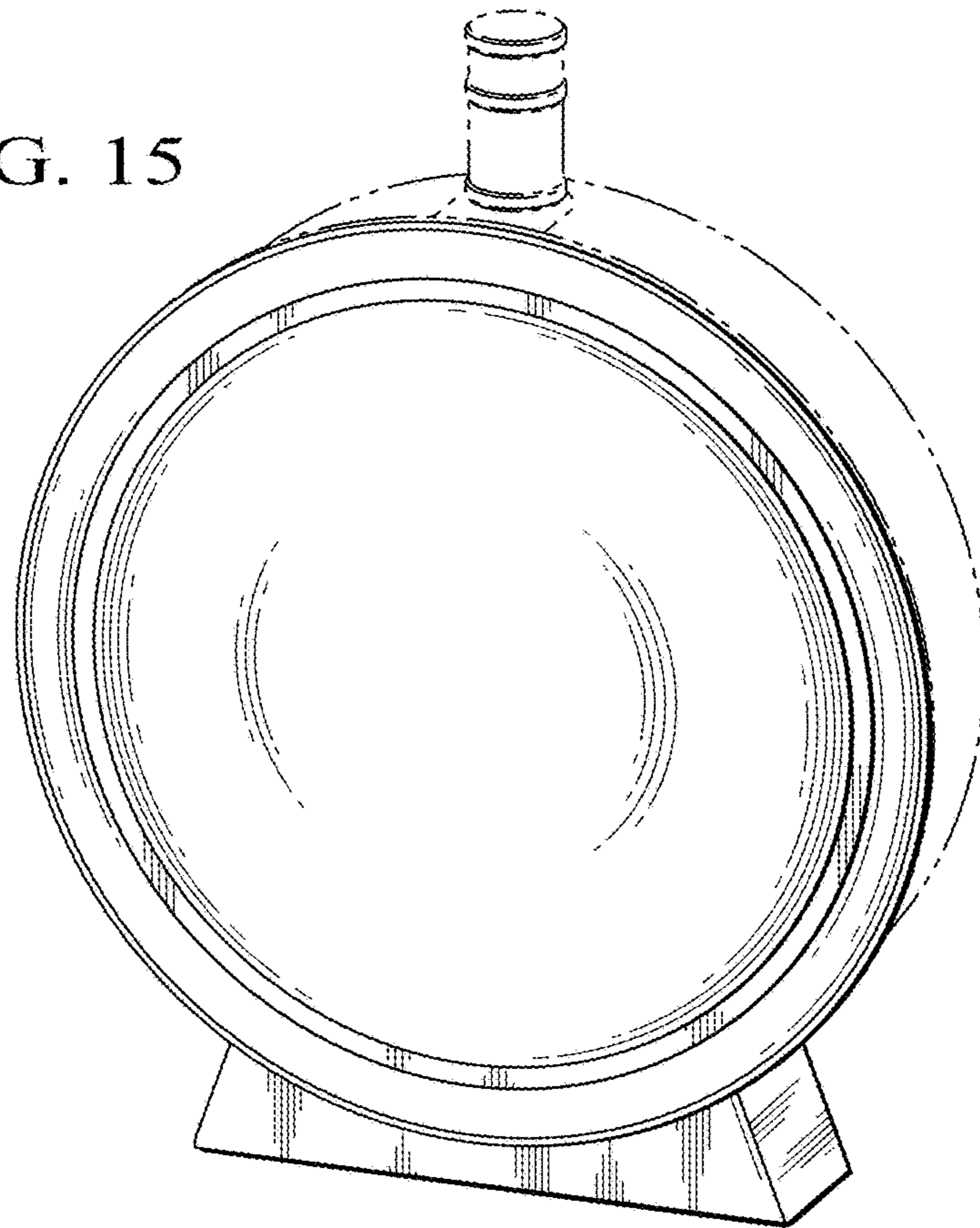


FIG. 16

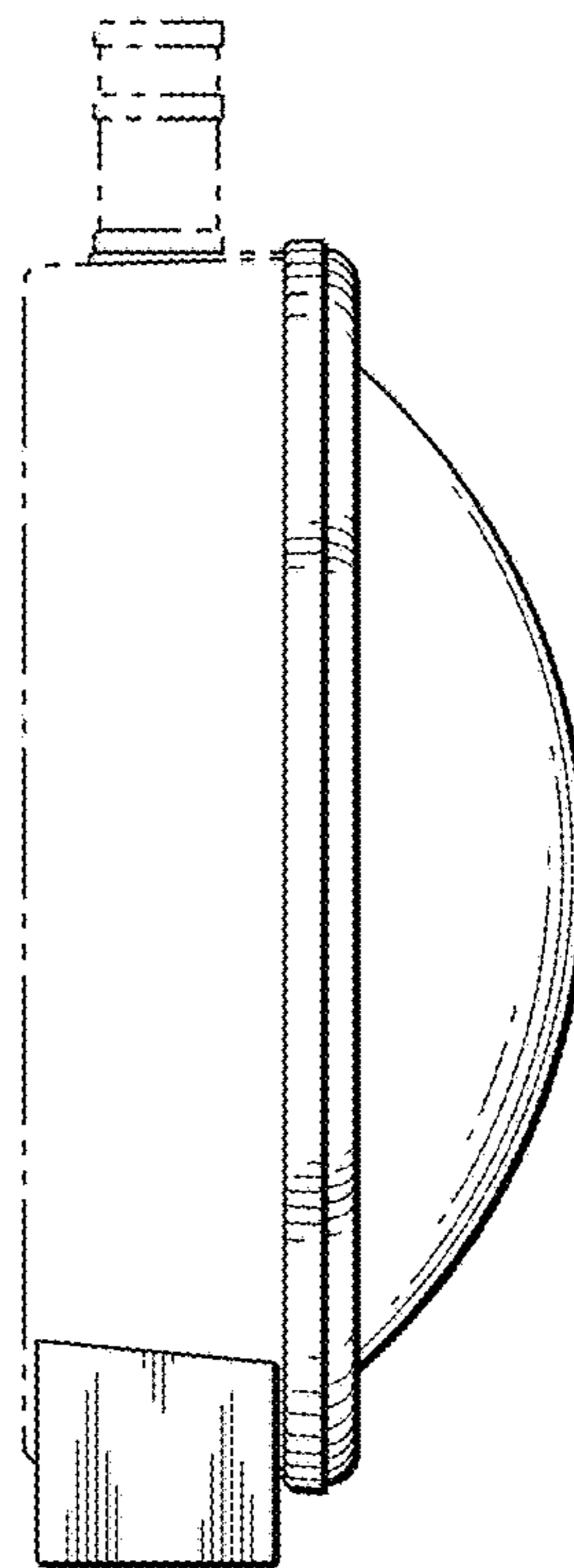


FIG. 17

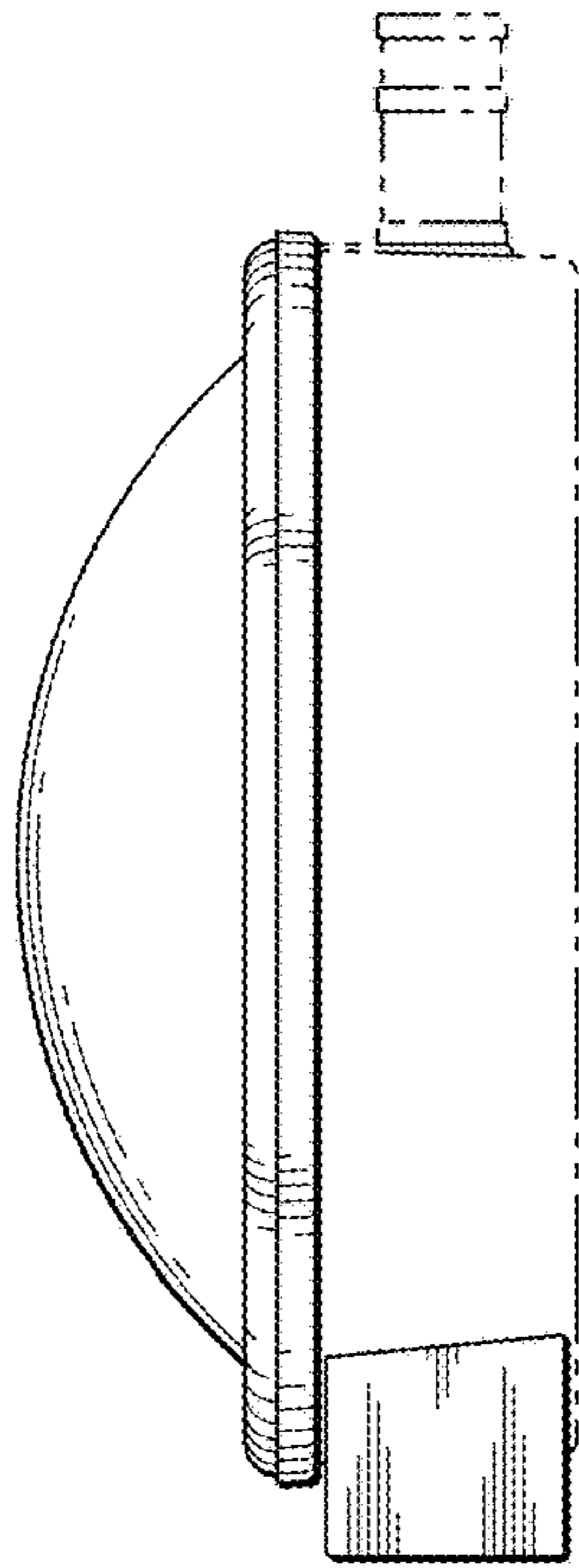


FIG. 18

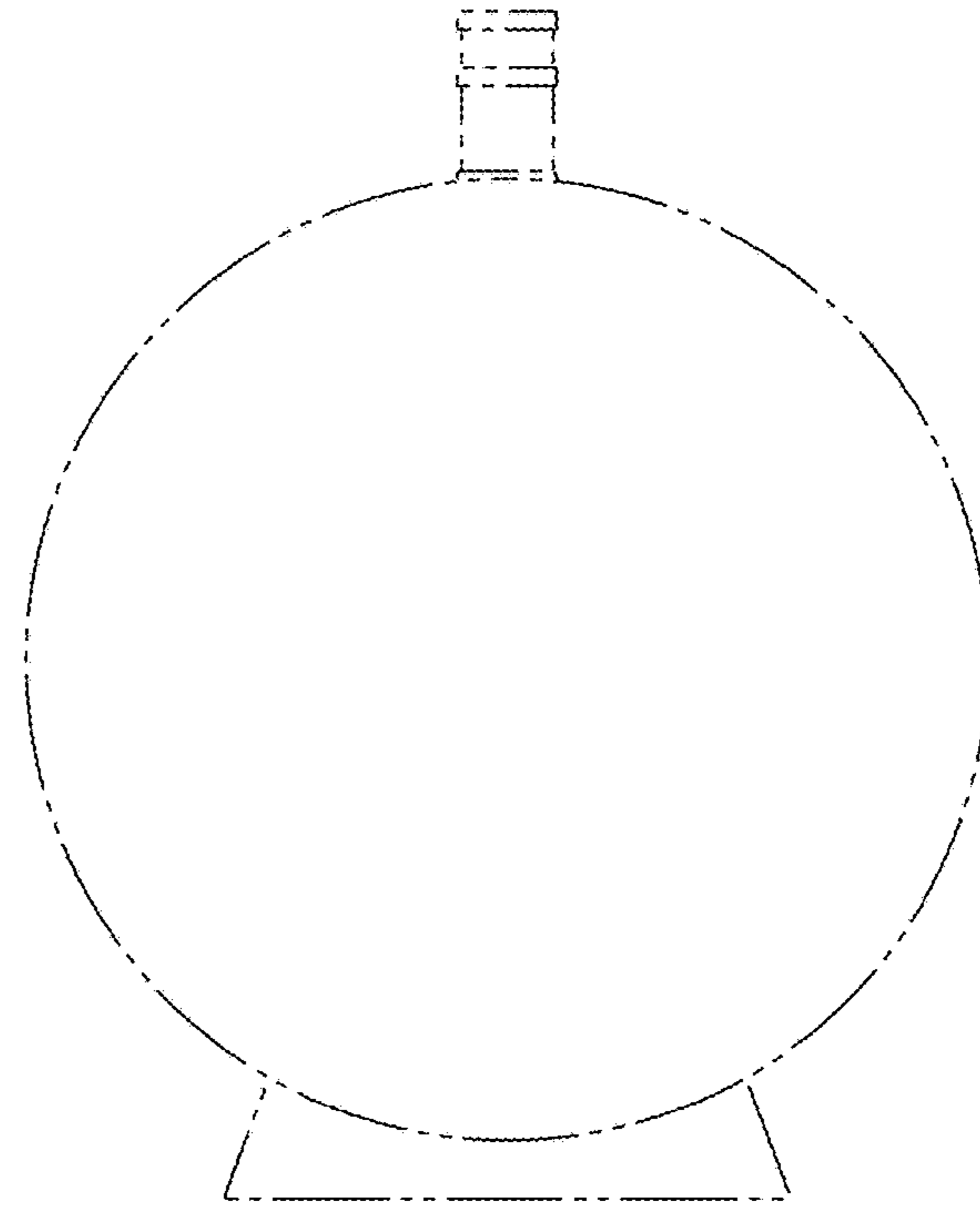


FIG. 19

FIG. 20

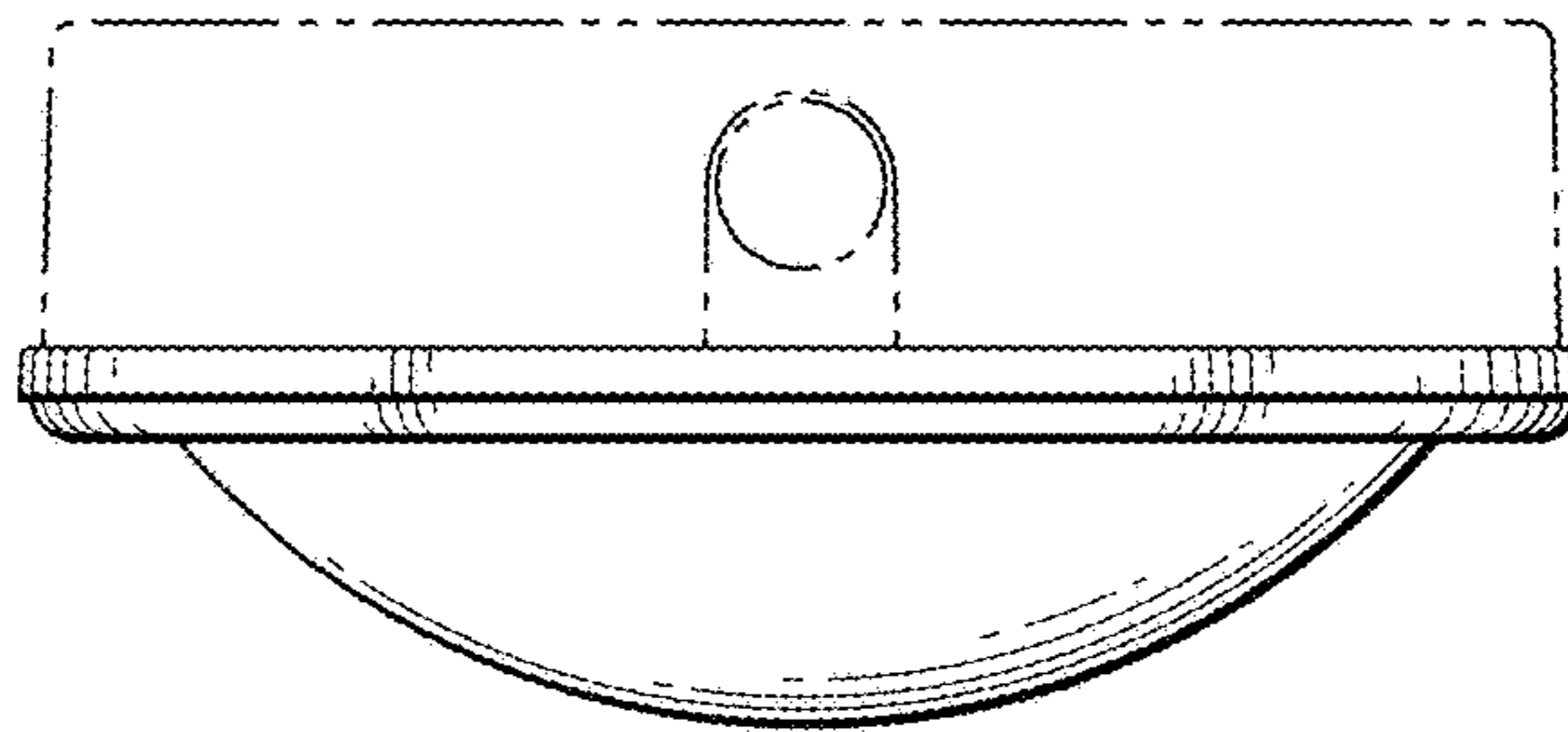


FIG. 21

