



US00D814566S

(12) **United States Design Patent**  
**Ruggles et al.**

(10) **Patent No.:** **US D814,566 S**

(45) **Date of Patent:** **\*\* Apr. 3, 2018**

- (54) **CLIPBOARD**
- (71) Applicants: **Allen Lee Ruggles**, Ramona, CA (US);  
**Michael Kent Roberts**, Poway, CA (US)
- (72) Inventors: **Allen Lee Ruggles**, Ramona, CA (US);  
**Michael Kent Roberts**, Poway, CA (US)
- (\*\*) Term: **15 Years**
- (21) Appl. No.: **29/577,672**
- (22) Filed: **Sep. 14, 2016**
- (51) **LOC (11) Cl.** ..... **19-02**
- (52) **U.S. Cl.**  
USPC ..... **D19/88**
- (58) **Field of Classification Search**  
USPC ..... D19/86, 88, 91  
CPC .. B42F 9/00; B42F 9/001; B42F 9/002; B42F 9/004; B42F 9/005; B42F 9/007; B42F 9/008; B42F 17/30; B43L 3/00; B43L 5/02; B62B 3/1428  
See application file for complete search history.

- 5,887,902 A \* 3/1999 Irwin ..... B42F 9/001  
248/451
- D415,531 S \* 10/1999 Schultz ..... D19/65
- D475,748 S \* 6/2003 Shamoan ..... D19/78
- D487,579 S \* 3/2004 Chen ..... D19/88
- D492,358 S \* 6/2004 Chen ..... D19/65
- D500,800 S \* 1/2005 Shamoan ..... D19/78
- D510,389 S \* 10/2005 Shamoan ..... D19/78
- D575,826 S \* 8/2008 Chen ..... D19/88
- D580,990 S \* 11/2008 Chang ..... D19/88
- D586,400 S \* 2/2009 Shamoan ..... D19/88
- D599,856 S \* 9/2009 Chen ..... D19/88
- D647,969 S \* 11/2011 Shamoan ..... D19/88
- D692,949 S \* 11/2013 Shamoan ..... D19/88
- D697,135 S \* 1/2014 Tsai ..... D19/88
- D702,762 S \* 4/2014 Small ..... B42F 9/001  
D19/88
- D711,466 S \* 8/2014 Huang ..... D19/88
- 8,950,094 B2 \* 2/2015 Kohn ..... B42D 15/045  
40/488
- 9,168,779 B2 \* 10/2015 Krapf ..... B43L 1/00

(Continued)

*Primary Examiner* — Elizabeth Albert  
(74) *Attorney, Agent, or Firm* — ARC IP Law, PC;  
Joseph J. Mayo

(57) **CLAIM**

The ornamental design for a clipboard, as shown and described.

**DESCRIPTION**

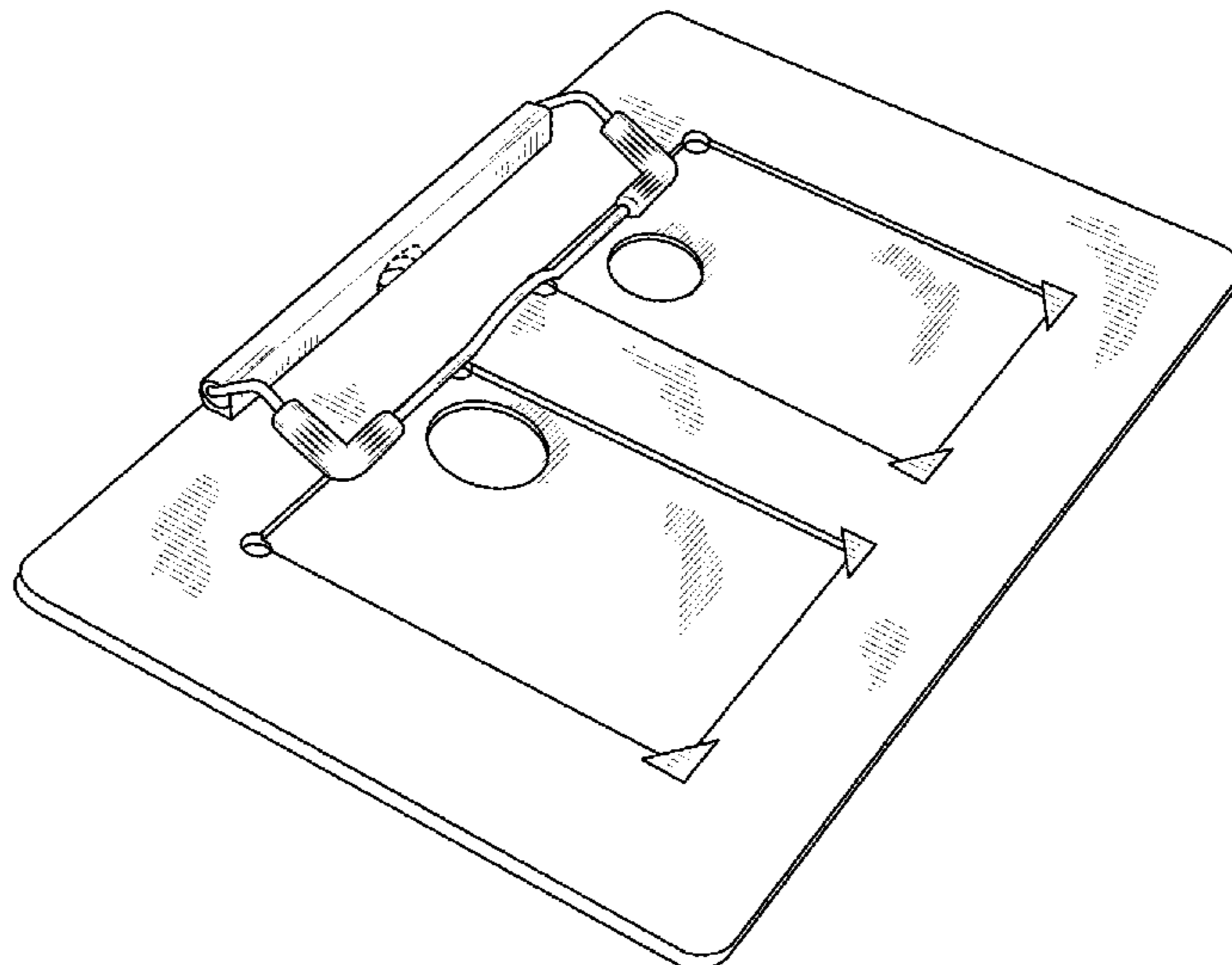
FIG. 1 is a perspective view of a clipboard.  
FIG. 2 is a top view of the clipboard of FIG. 1.  
FIG. 3 is a bottom view of the clipboard of FIG. 1.  
FIG. 4 is a left side view of the clipboard of FIG. 1, of which the right side view is a mirror image thereof.  
FIG. 5 is a front view of the clipboard of FIG. 1; and,  
FIG. 6 is a back view of the clipboard of FIG. 1.  
The broken lines are included to show portions of the clipboard that form no part of the claimed design.

**1 Claim, 5 Drawing Sheets**

(56) **References Cited**

U.S. PATENT DOCUMENTS

- 3,954,246 A \* 5/1976 Sparkman ..... A47B 23/043  
248/453
- D254,775 S \* 4/1980 Falk ..... D3/294
- 4,401,323 A 8/1983 Rex
- 4,586,730 A \* 5/1986 Shulyak ..... B42D 19/00  
248/444
- 4,948,172 A \* 8/1990 Chang ..... B42F 9/001  
281/30
- D340,880 S 11/1993 Walton
- 5,669,167 A 9/1997 Kemp
- D398,650 S \* 9/1998 Shamoan ..... D19/65
- 5,823,500 A \* 10/1998 La Coste ..... B43L 3/008  
248/444



(56)

**References Cited**

U.S. PATENT DOCUMENTS

D745,604 S *	12/2015	Magaudda .....	A47B 23/044 D19/88
D753,765 S *	4/2016	Chuang .....	D19/88
D769,972 S *	10/2016	Thomson .....	D19/88
9,597,919 B1 *	3/2017	Ruggles .....	B42F 9/001
2012/0091308 A1 *	4/2012	Small .....	B42F 9/001 248/452
2015/0034799 A1 *	2/2015	Krapf .....	B43L 1/00 248/683
2015/0151193 A1 *	6/2015	Sartini .....	A63F 3/068 273/309

\* cited by examiner

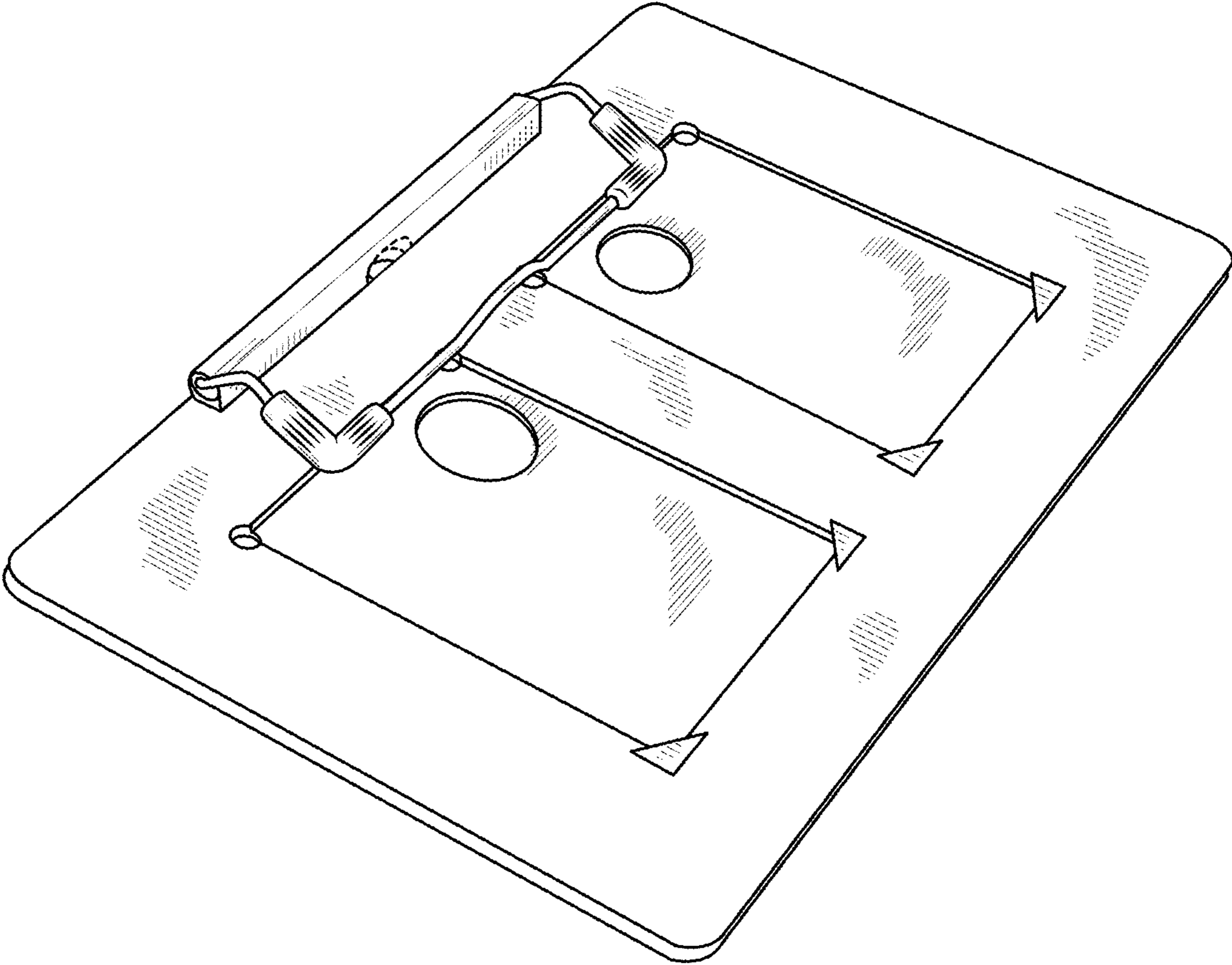


FIG. 1

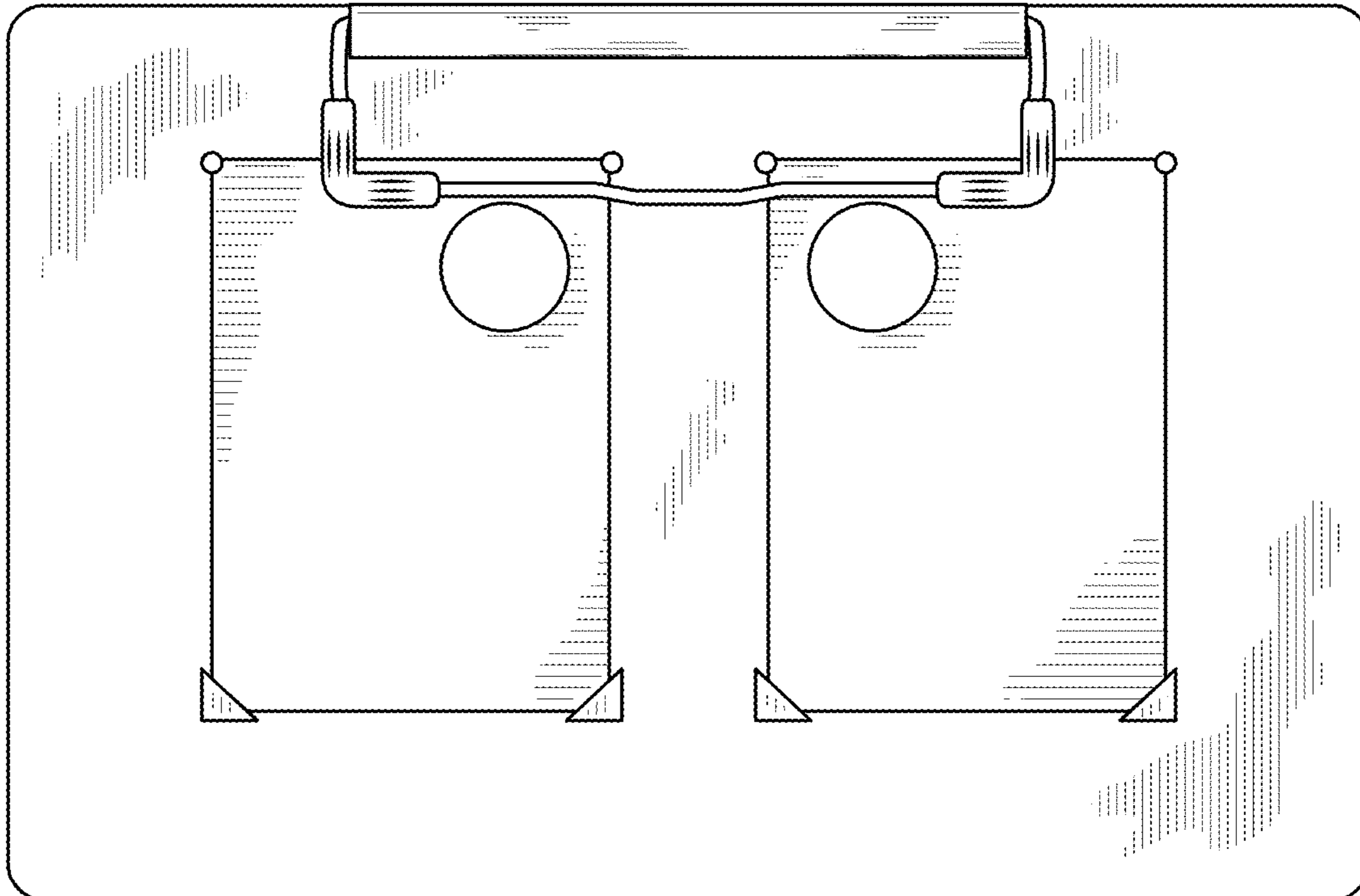


FIG. 2

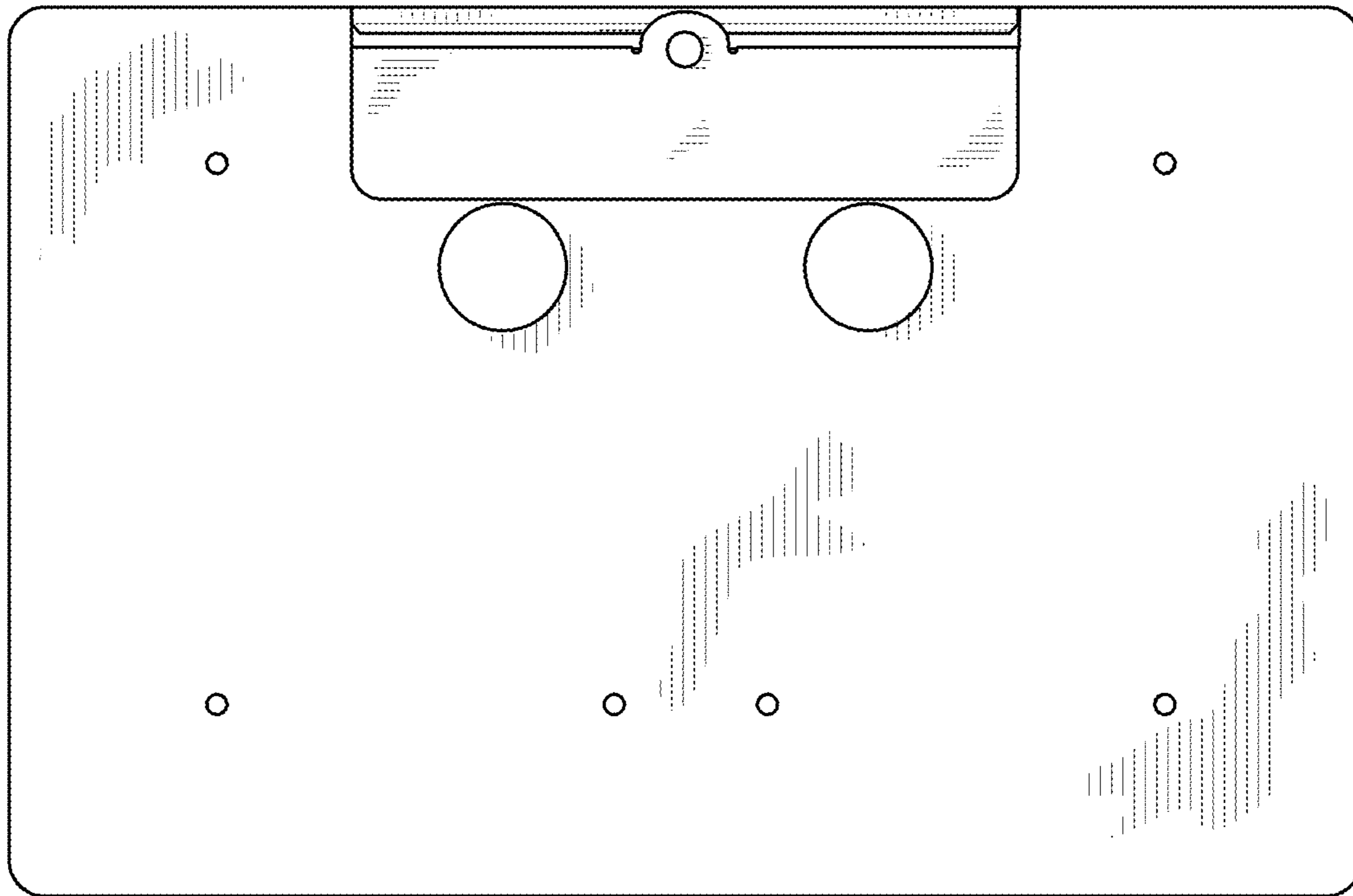


FIG. 3

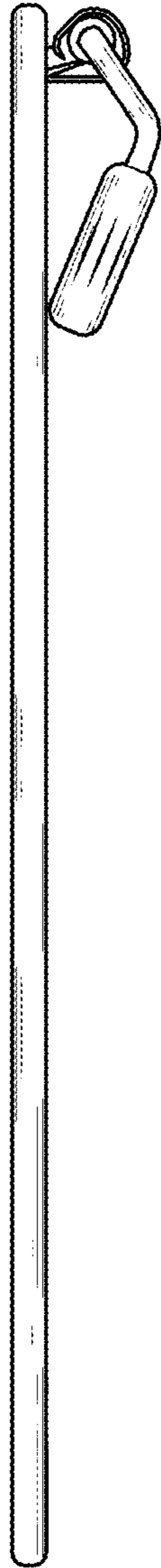


FIG. 4

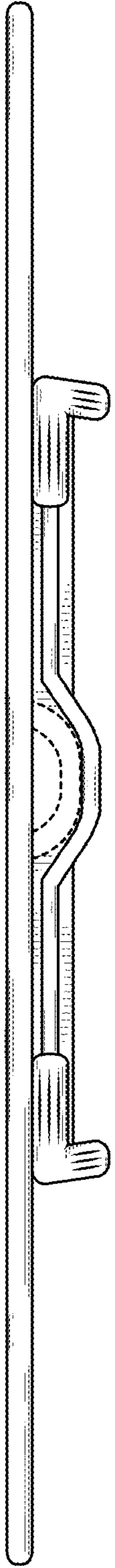


FIG. 5

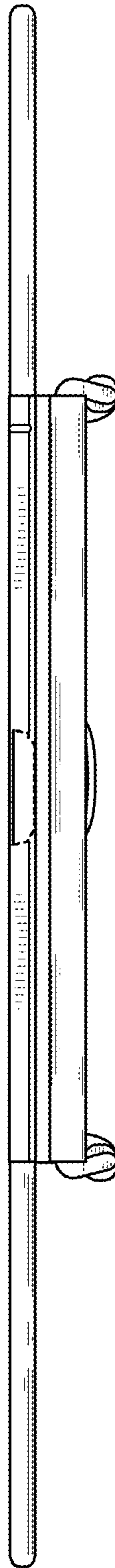


FIG. 6