



US00D814565S

(12) **United States Design Patent**
Naber

(10) **Patent No.:** **US D814,565 S**

(45) **Date of Patent:** **** Apr. 3, 2018**

(54) **TAPE DISPENSER**

(71) Applicant: **Naber Plastics B.V.**, Waalwijk (NL)

(72) Inventor: **Mike Antoon Jozef Naber**, Waalwijk (NL)

(73) Assignee: **Naber Plastics B.V.**, Waalwijk (NL)

(**) Term: **15 Years**

(21) Appl. No.: **29/583,786**

(22) Filed: **Nov. 9, 2016**

(30) **Foreign Application Priority Data**

May 24, 2016 (EM) 003150648-0001

(51) **LOC (11) Cl.** **19-99**

(52) **U.S. Cl.**
USPC **D19/69**

(58) **Field of Classification Search**
USPC D19/65, 67, 69
CPC B65H 75/185; B65H 35/0073; B65H
35/0033

See application file for complete search history.

(56) **References Cited**

U.S. PATENT DOCUMENTS

D333,678 S * 3/1993 Lissoni D19/67
D520,061 S * 5/2006 Daunter B65H 35/0033
D19/69

D565,663 S * 4/2008 Yu Chen D19/69
D570,917 S * 6/2008 Bailey D19/69
9,463,950 B2 * 10/2016 Yu Chen B65H 75/185
2007/0210205 A1 * 9/2007 Tang B65H 35/0033
242/588.2
2011/0272103 A1 * 11/2011 Mazzucchelli B65H 35/0026
156/510
2012/0104067 A1 * 5/2012 Pinto B65H 35/0033
225/56

* cited by examiner

Primary Examiner — Daniel D Bui

Assistant Examiner — Andrew Kerr

(74) *Attorney, Agent, or Firm* — Troutman Sanders LLP;
Ryan A. Schneider; Alexis N. Simpson

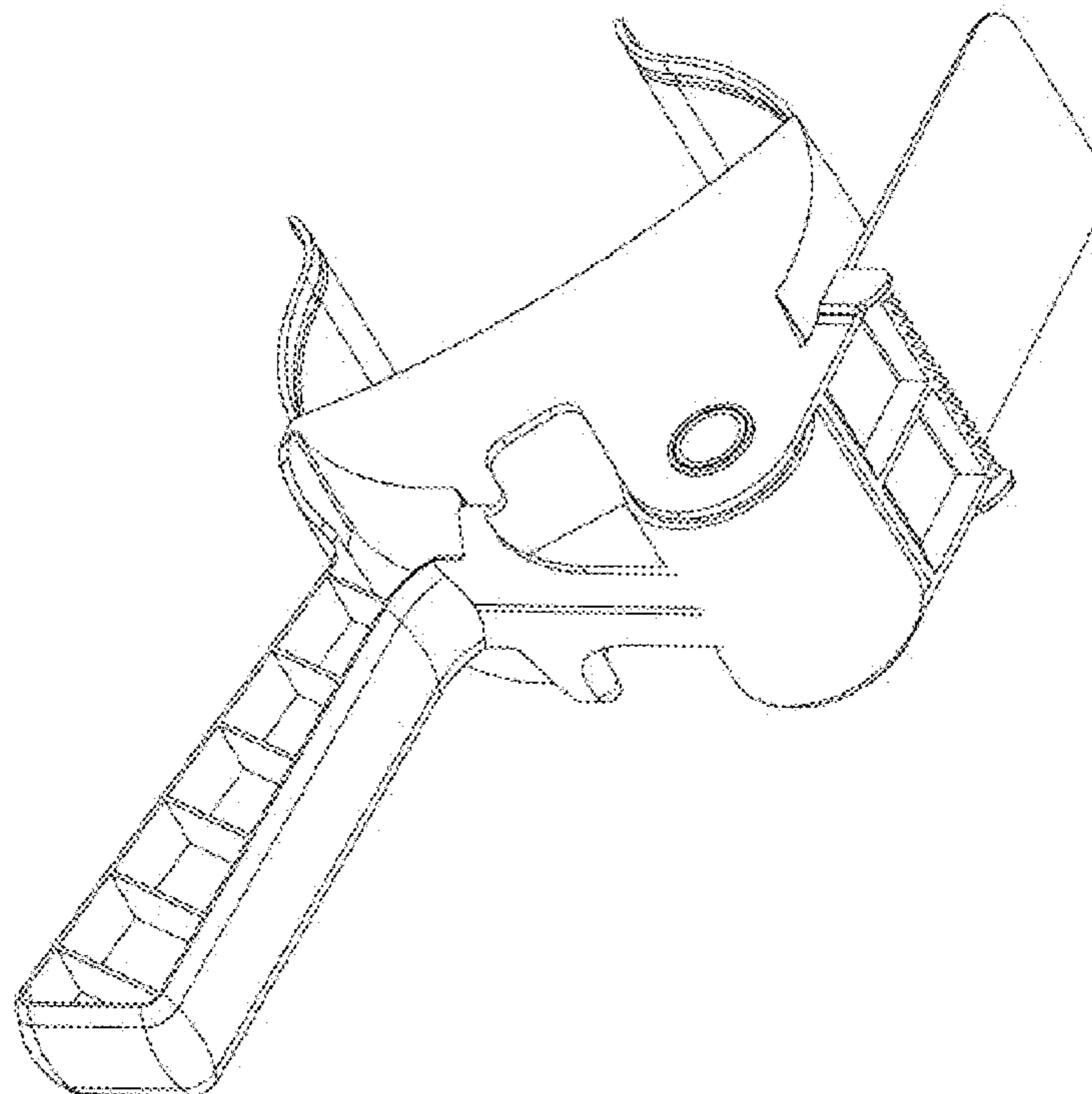
(57) **CLAIM**

The ornamental design for a tape dispenser, as shown and described.

DESCRIPTION

FIG. 1 is a perspective view of a tape dispenser showing my new design;
FIG. 2 is a side view of the tape dispenser of FIG. 1; and,
FIG. 3 is another perspective view of the tape dispenser of FIG. 1.

1 Claim, 3 Drawing Sheets



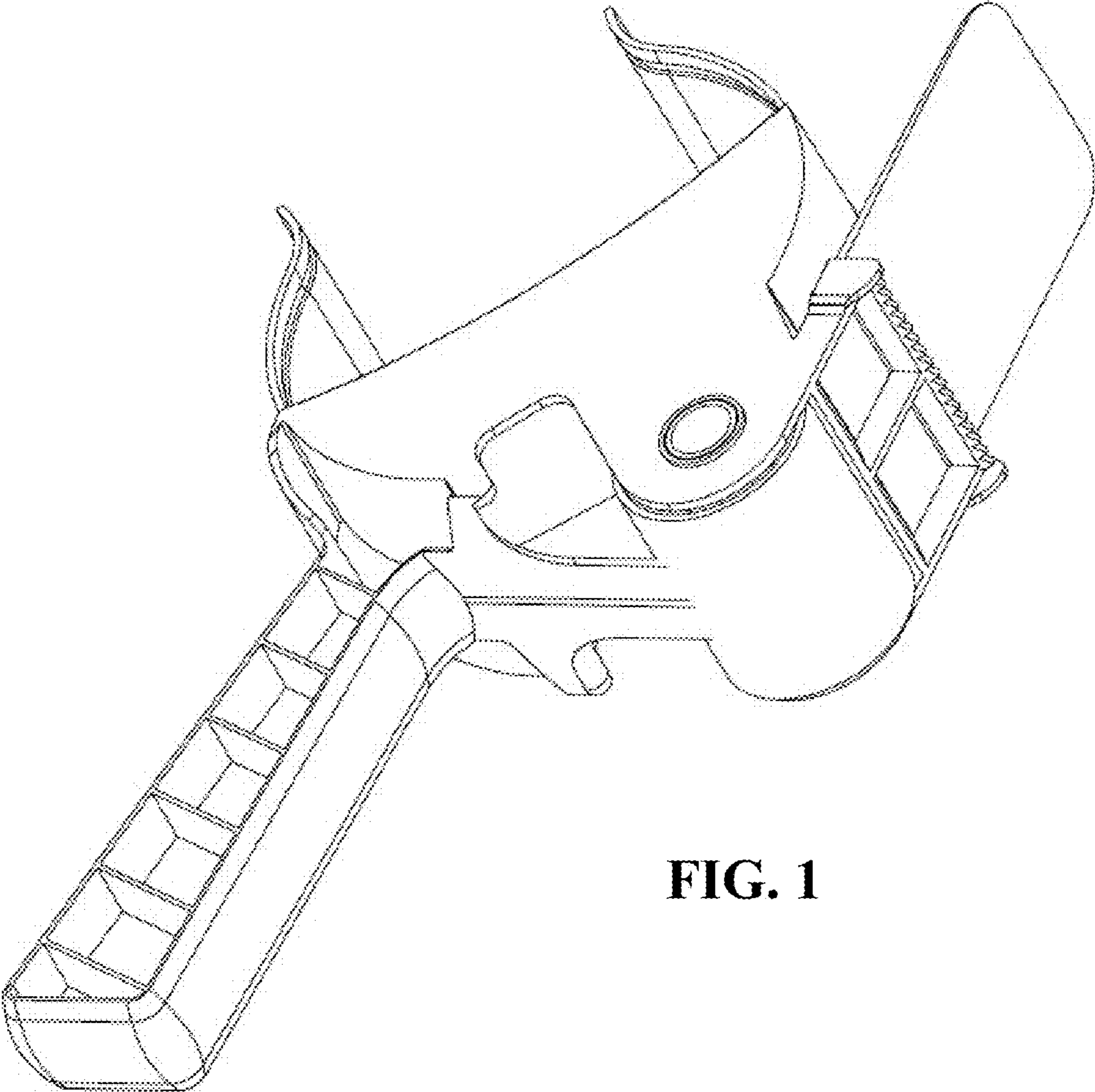


FIG. 1

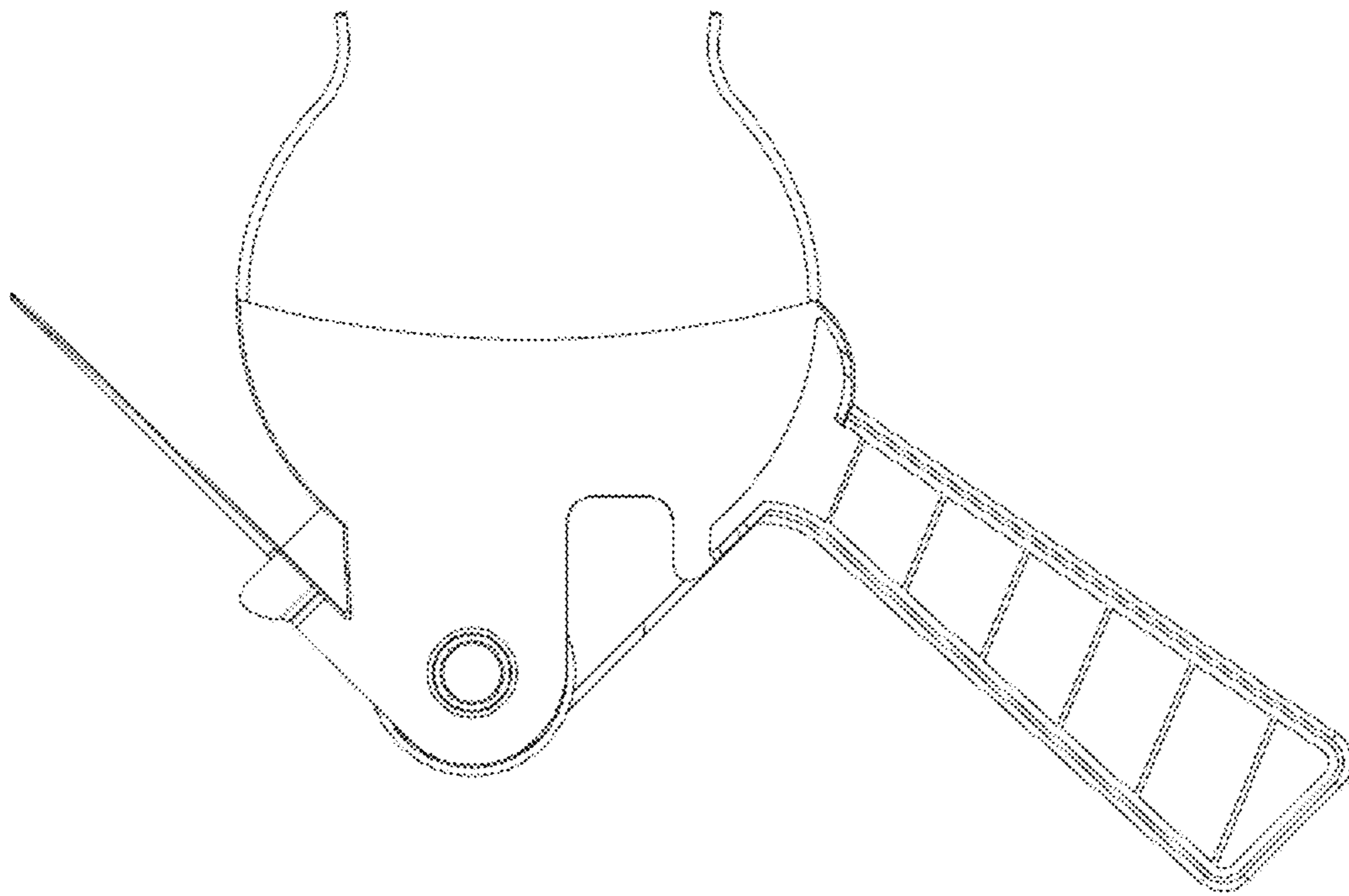


FIG. 2

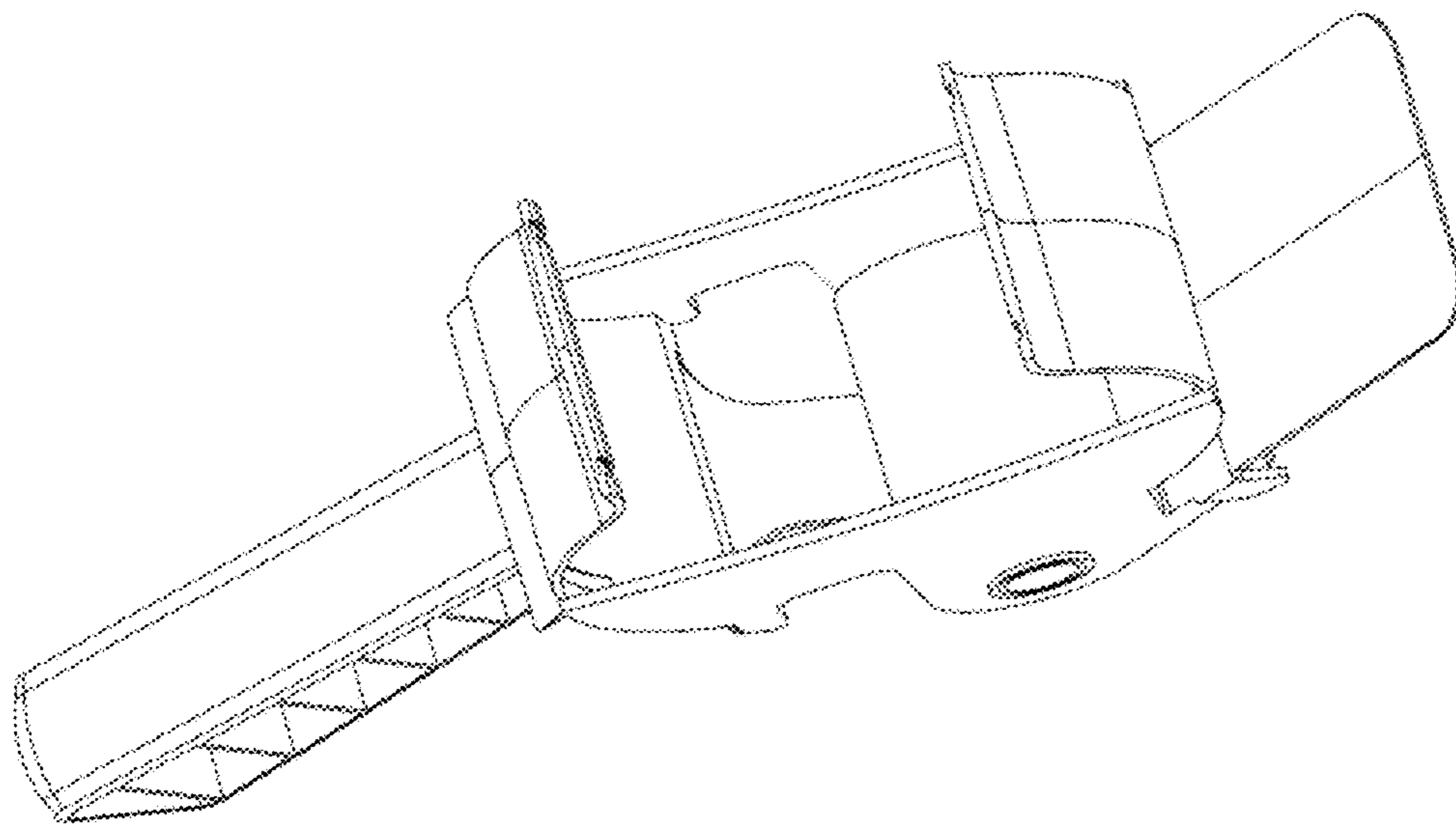


FIG. 3