



US00D814563S

(12) **United States Design Patent**
Bartos

(10) **Patent No.:** **US D814,563 S**

(45) **Date of Patent:** **** Apr. 3, 2018**

(54) **ENVELOPE FOR GREETING CARD**

(71) Applicant: **Tea Bartos**, Bloomingdale, IL (US)

(72) Inventor: **Tea Bartos**, Bloomingdale, IL (US)

(**) Term: **15 Years**

(21) Appl. No.: **29/607,103**

(22) Filed: **Jun. 9, 2017**

(51) **LOC (11) Cl.** **19-01**

(52) **U.S. Cl.**
USPC **D19/3**

(58) **Field of Classification Search**

USPC D19/1-34; 40/124.01-124.15, 672, 661,
40/726, 776, 617; 229/72, 92, 92.1,
229/300-303, 74, 75, 92.7, 92.5, 79, 68.1,
229/921, 116.2, 103.3; 283/72, 74, 75,
283/103; 206/449, 312, 232; D21/385;
D20/10, 22, 27, 40, 42, 11;
D14/435-437
CPC B65D 27/00; B65D 27/04; B65D 27/06;
B65D 27/30; B65D 27/14; G09F 1/04;
B42D 15/00; B42D 15/022; B42D
15/042; B42D 15/027; B42D 15/045
See application file for complete search history.

(56) **References Cited**

U.S. PATENT DOCUMENTS

D286,412 S * 10/1986 Bourgeois D19/3
D312,656 S * 12/1990 Huber D19/3

D314,790 S * 2/1991 Hager D19/3
D322,810 S * 12/1991 Bak D19/3
D342,445 S * 12/1993 Brewer D19/3
D366,495 S * 1/1996 Hirai D19/3
D649,587 S * 11/2011 Nemeth D19/1
D681,729 S * 5/2013 Glass D19/3
D725,700 S * 3/2015 Bridges D19/2

* cited by examiner

Primary Examiner — Abraham Bahta

(74) *Attorney, Agent, or Firm* — Justin Lampel

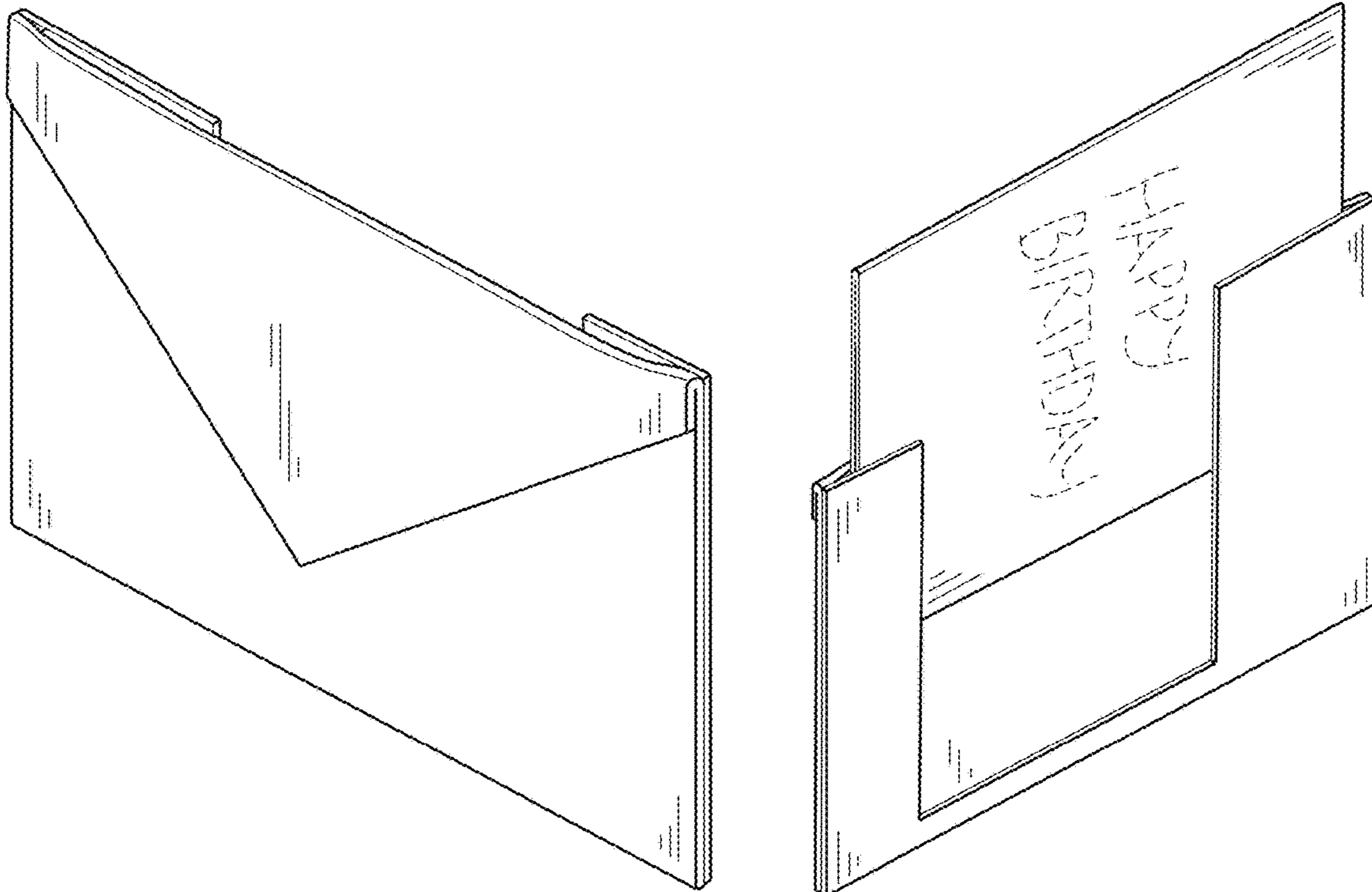
(57) **CLAIM**

The ornamental design for an envelope for greeting card, as shown and described.

DESCRIPTION

FIG. 1 is a back perspective view of the envelope for greeting card;
FIG. 2 is a front perspective view of the envelope for greeting card;
FIG. 3 is a front perspective view of the envelope for greeting card wherein the greeting card is partially removed from the envelope;
FIG. 4 is a front perspective view of the envelope for greeting card wherein the greeting card is completely removed from the envelope;
FIG. 5 is a side view of the envelope for greeting card; and,
FIG. 6 is a side view of the envelope for greeting card.
The broken line showing is for illustrative purposes only and forms no part of the claimed design.

1 Claim, 3 Drawing Sheets



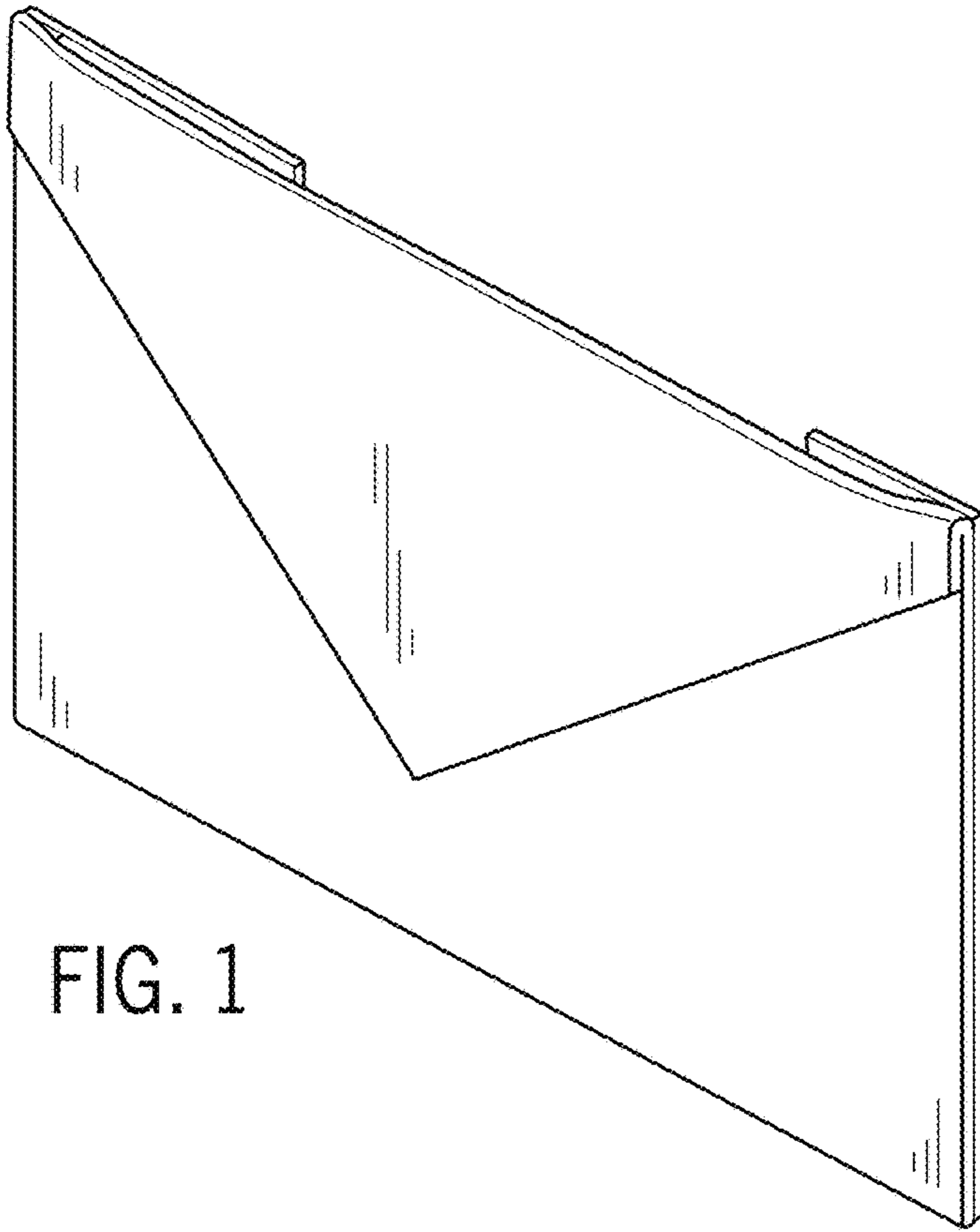


FIG. 1

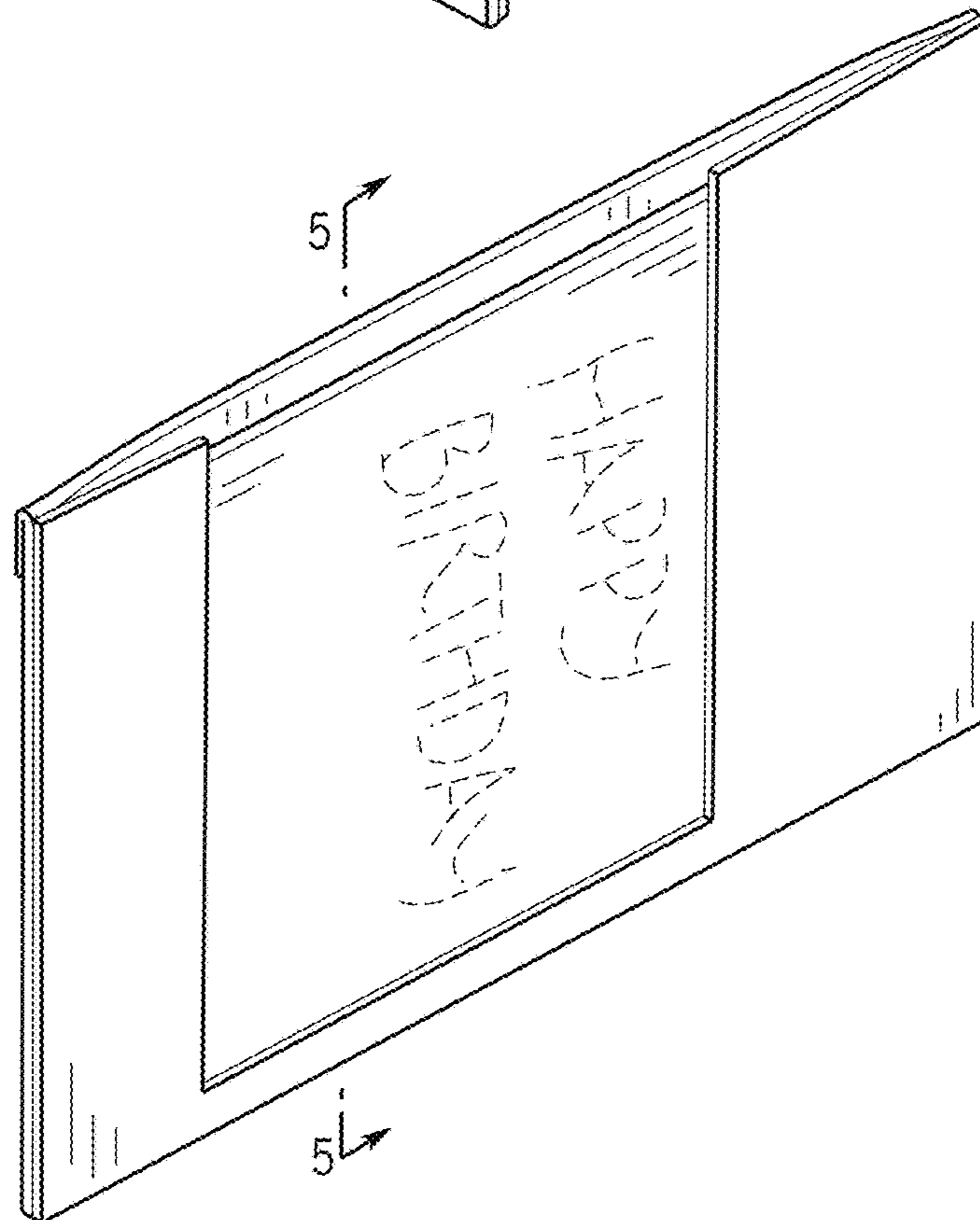


FIG. 2

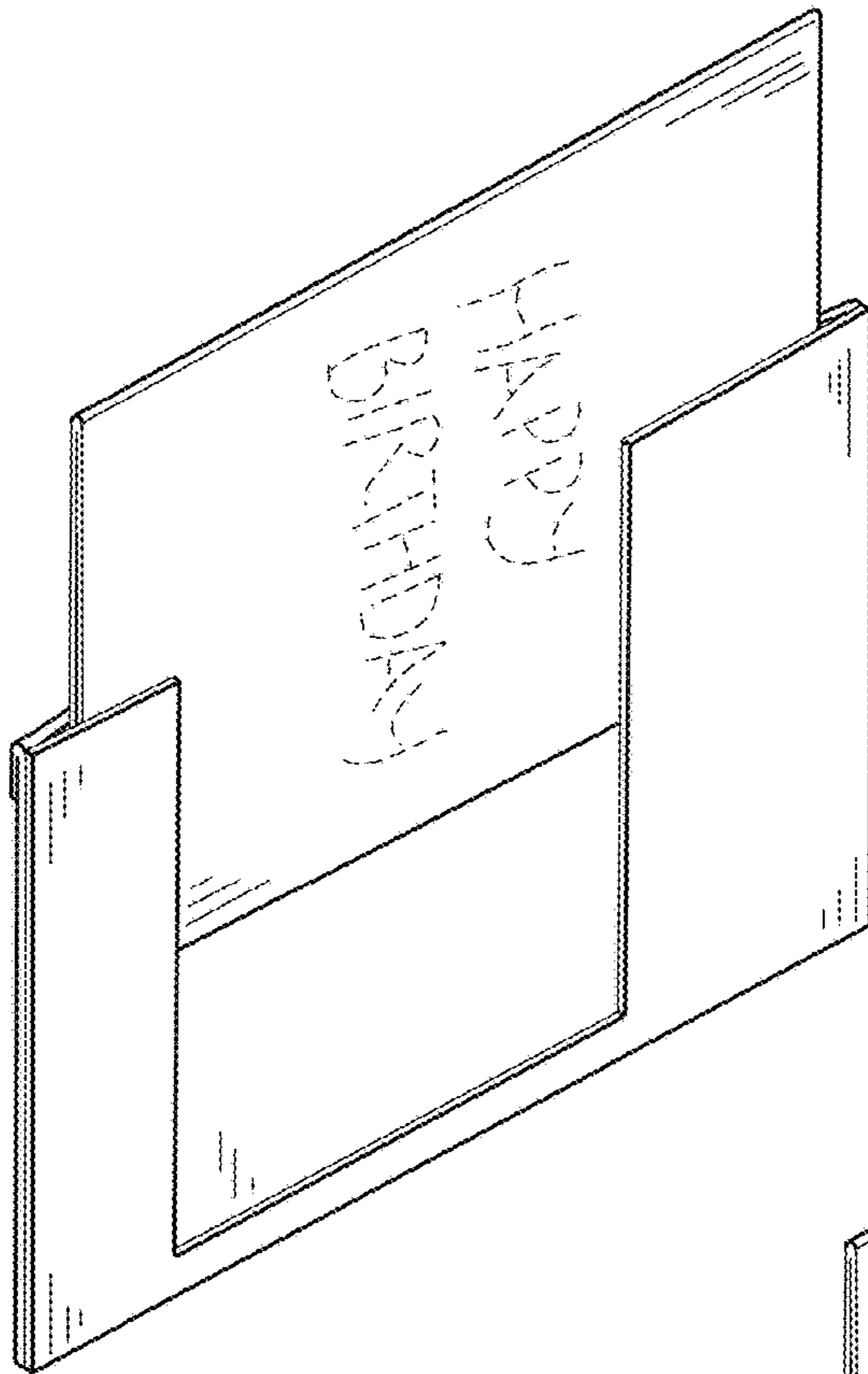


FIG. 3

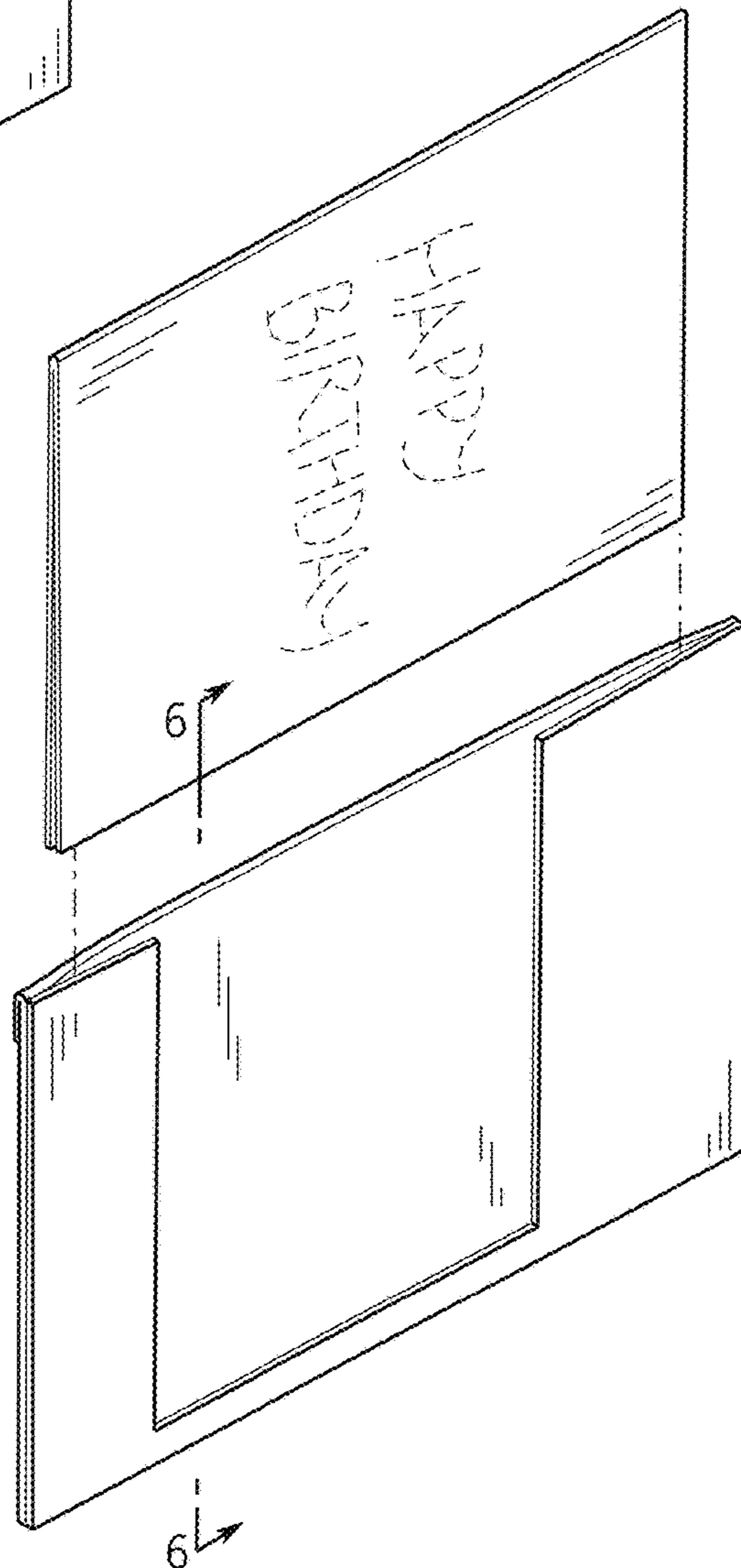


FIG. 4

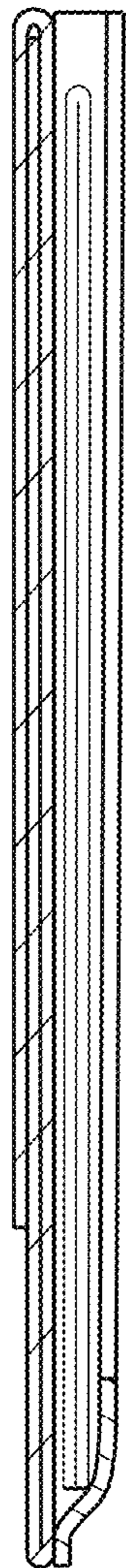


FIG. 5



FIG. 6