



US00D814562S

(12) **United States Design Patent** (10) **Patent No.:** **US D814,562 S**
Larson et al. (45) **Date of Patent:** **** Apr. 3, 2018**

(54) **PRINTER**
(71) Applicant: **Hewlett-Packard Development Company, L.P.**, Houston, TX (US)
(72) Inventors: **David B. Larson**, Boise, ID (US); **Matthew J. Miller**, Boise, ID (US)
(73) Assignee: **Hewlett-Packard Development Company, L.P.**, Houston, TX (US)
(**) Term: **15 Years**
(21) Appl. No.: **29/555,813**
(22) Filed: **Feb. 25, 2016**
(51) **LOC (11) Cl.** **18-02**
(52) **U.S. Cl.**
USPC **D18/55**
(58) **Field of Classification Search**
USPC D18/12, 14, 18, 19, 36, 37, 38, 39, 43, D18/50, 54, 54.1, 55, 56, 99; D14/420, D14/421, 422, 423, 424, 425, 462, 463, D14/464, 465, 466, 467, 668, 469, 470, D14/480.5, 483, 484
CPC . B41J 31/16; B41J 32/02; B41J 19/202; B41J 29/377; B41J 15/042; B41J 3/4075; B41J 11/58; B41J 15/12; B41J 29/02; B41J 17/00
See application file for complete search history.

(56) **References Cited**
U.S. PATENT DOCUMENTS
D551,700 S * 9/2007 Park D18/55
D555,195 S * 11/2007 Park D18/55
D575,330 S * 8/2008 Egami D18/55
D579,973 S * 11/2008 Park D14/421
D642,212 S * 7/2011 Terenzio D18/55
D647,958 S * 11/2011 Yoshioka D18/50
D667,488 S * 9/2012 Inoue D18/55

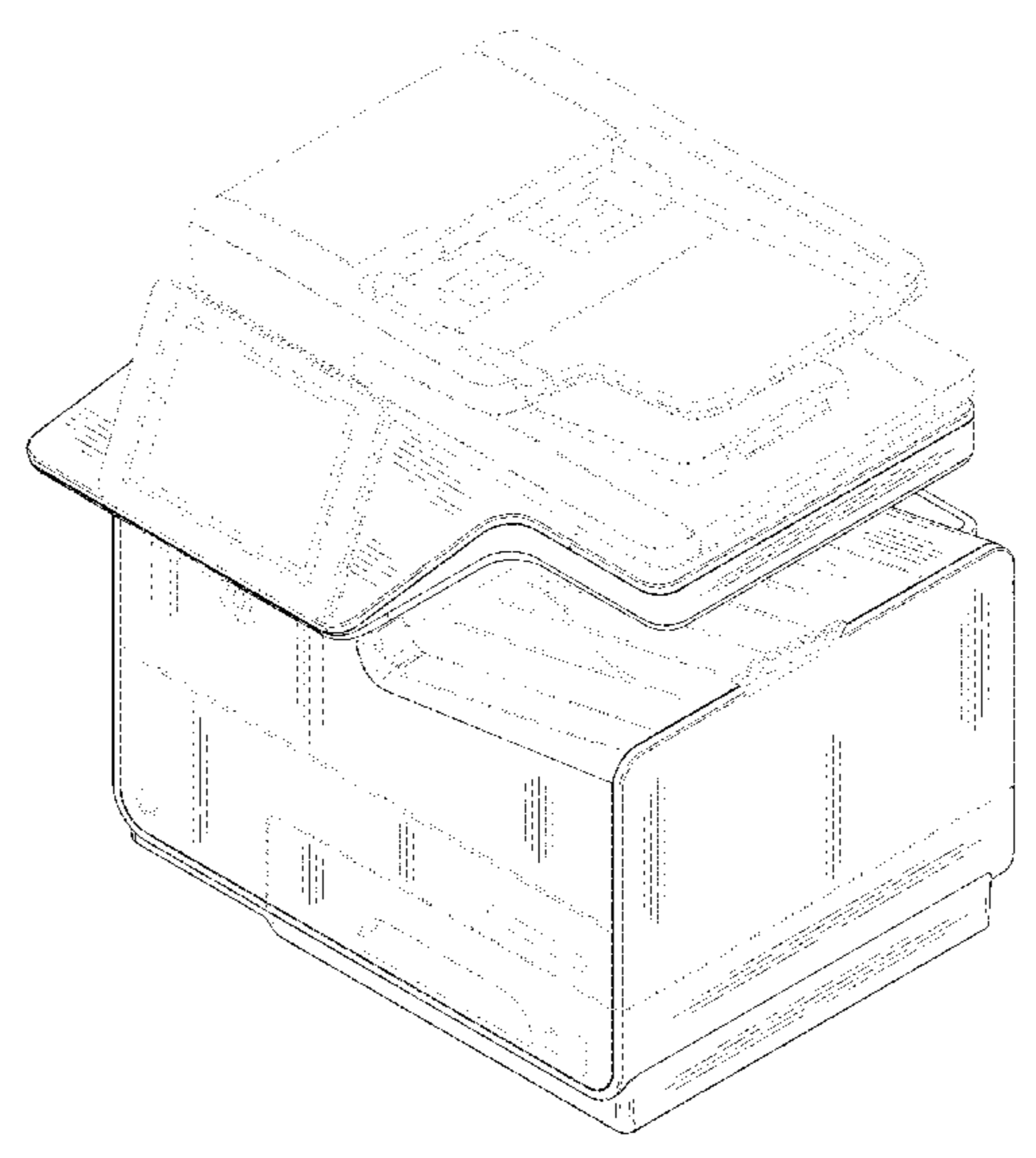
D697,966 S * 1/2014 Fukasawa D18/55
D697,967 S * 1/2014 Fukasawa D18/55
D698,389 S * 1/2014 Fukasawa D18/55
(Continued)

OTHER PUBLICATIONS
HP PageWide Enterprise Color MFP 586dn, [online], [site visited Aug. 16, 2017]. Available from Internet, URL:<http://store.hp.com/us/en/pdp/hp-pagewide-enterprise-color-mfp-586dn>.
Primary Examiner — Caron D Veynar
Assistant Examiner — Katrina N Gonzalez
(74) *Attorney, Agent, or Firm* — Morgan, Lewis & Bockius LLP

(57) **CLAIM**
The ornamental design for a printer, as shown and described.

DESCRIPTION
FIG. 1 is a top, front, left perspective view of a printer in accordance with our new design;
FIG. 2 is a front, right, top, perspective view of the printer shown in FIG. 1;
FIG. 3 is a rear, right, top, perspective view of the printer shown in FIG. 1;
FIG. 4 is a rear, left, top, perspective view of the printer shown in FIG. 1;
FIG. 5 is a front elevational view of the printer shown in FIG. 1;
FIG. 6 is a rear elevational view of the printer shown in FIG. 1;
FIG. 7 is a left-side elevational view of the printer shown in FIG. 1;
FIG. 8 is a right-side elevational view of the printer shown in FIG. 1;
FIG. 9 is a top plan view of the printer in FIG. 1; and, FIG. 10 is a bottom plan view of the printer shown in FIG. 1.
The broken lines shown in the drawings represent portions of the printer that form no part of the claimed design.

1 Claim, 10 Drawing Sheets



(56)

References Cited

U.S. PATENT DOCUMENTS

D702,760 S *	4/2014	Kim	D18/55
D718,383 S *	11/2014	Lo	D18/55
D727,409 S *	4/2015	Saito	D18/36
D727,410 S *	4/2015	Saito	D18/36
D727,417 S *	4/2015	Huang	D18/55
D742,450 S *	11/2015	Larson	D18/50
D755,284 S *	5/2016	Terenzio	D18/50
D758,486 S *	6/2016	Nakagawa	D18/55
D769,965 S *	10/2016	Clark, III	D18/55
D792,924 S *	7/2017	Dwyer	D18/56

* cited by examiner

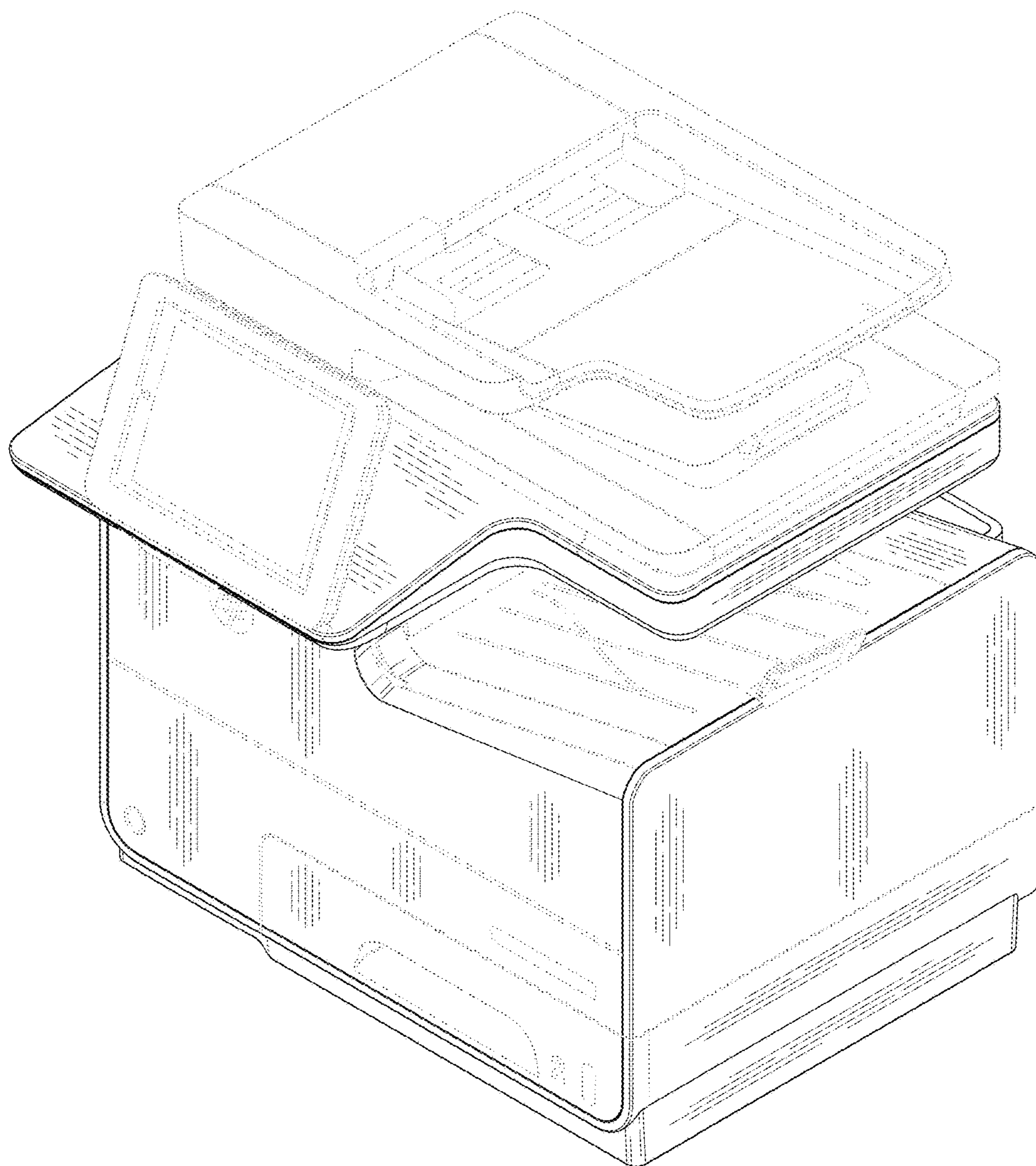


FIG. 1

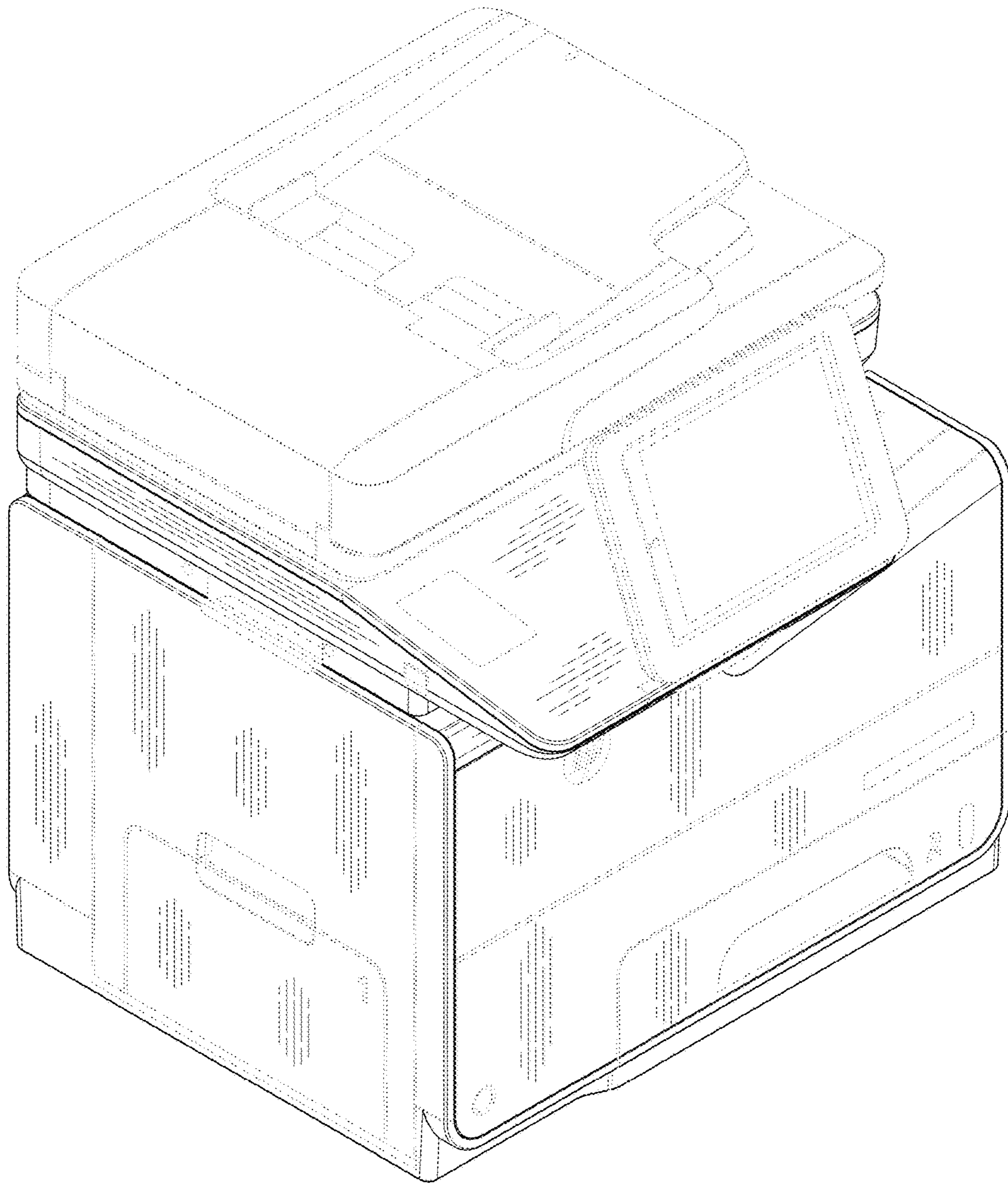


FIG. 2

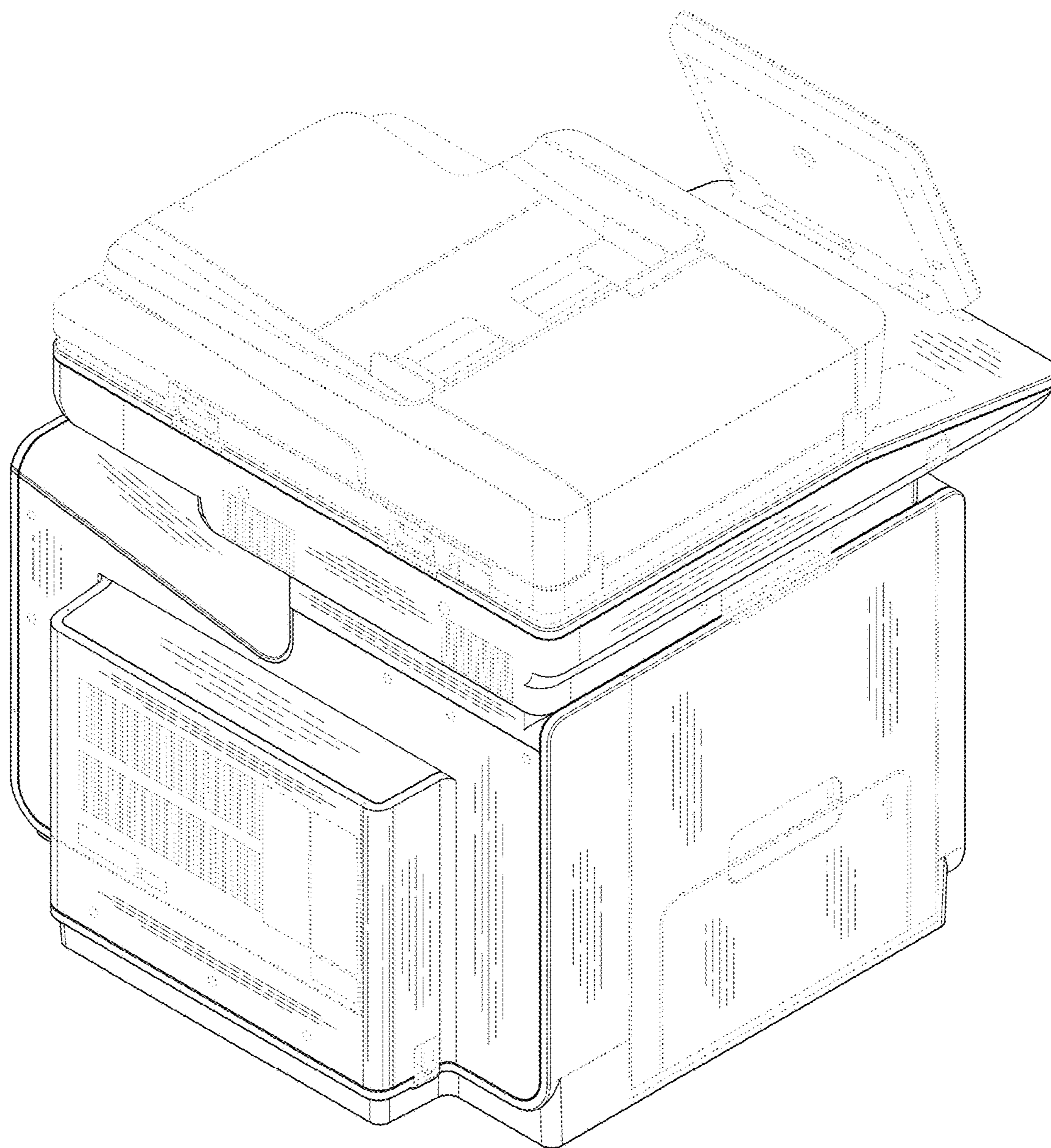


FIG. 3

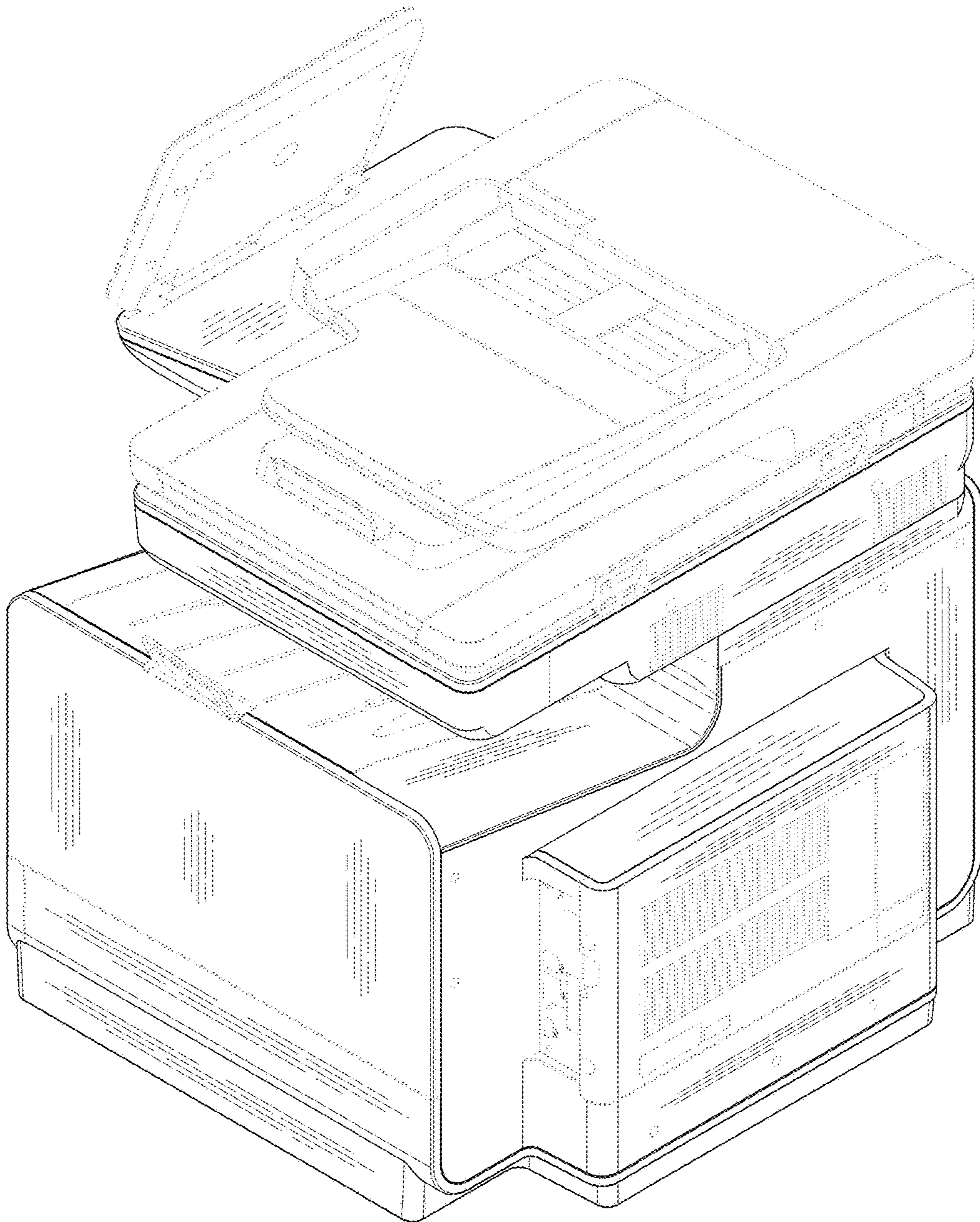


FIG. 4

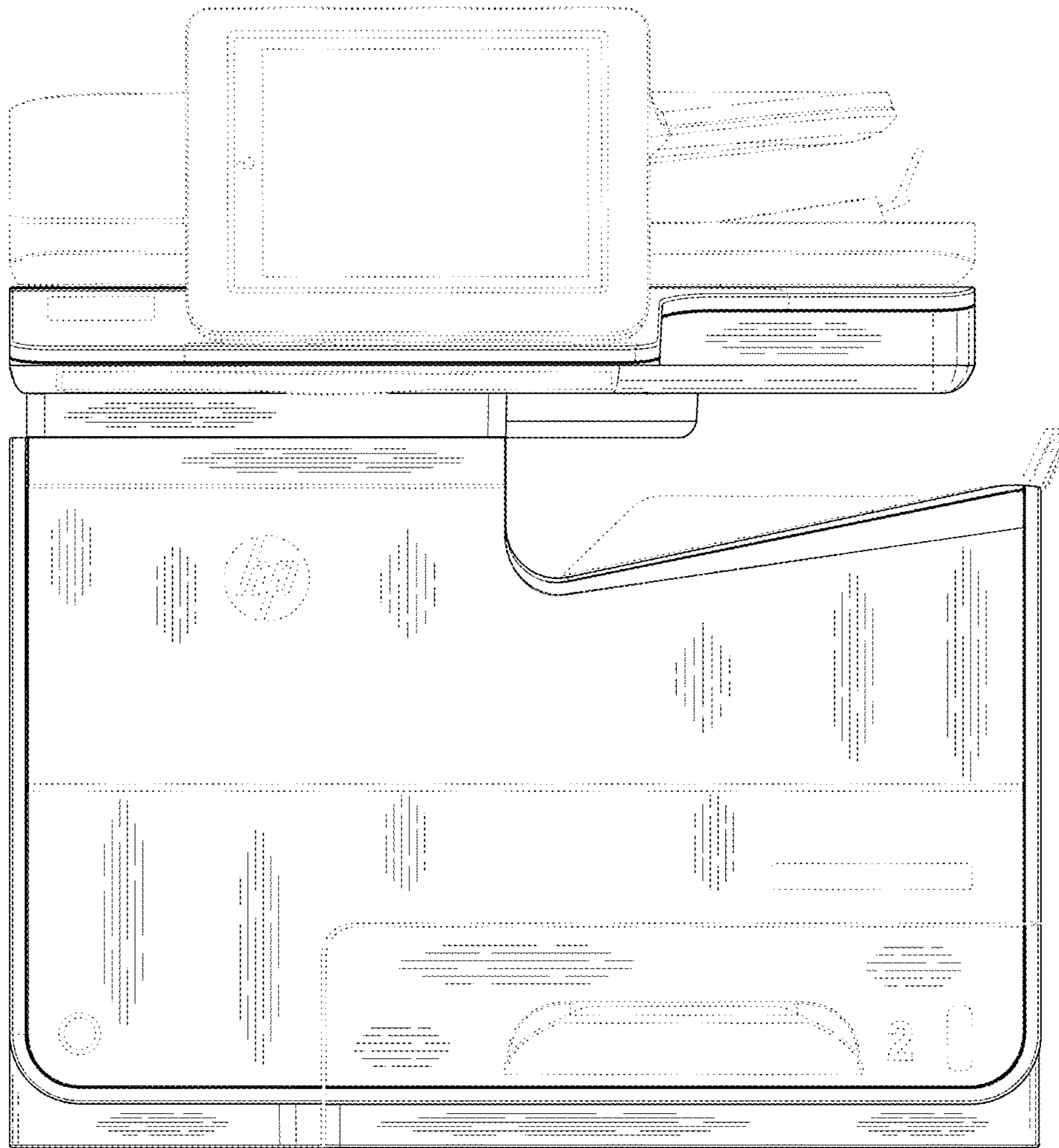


FIG. 5

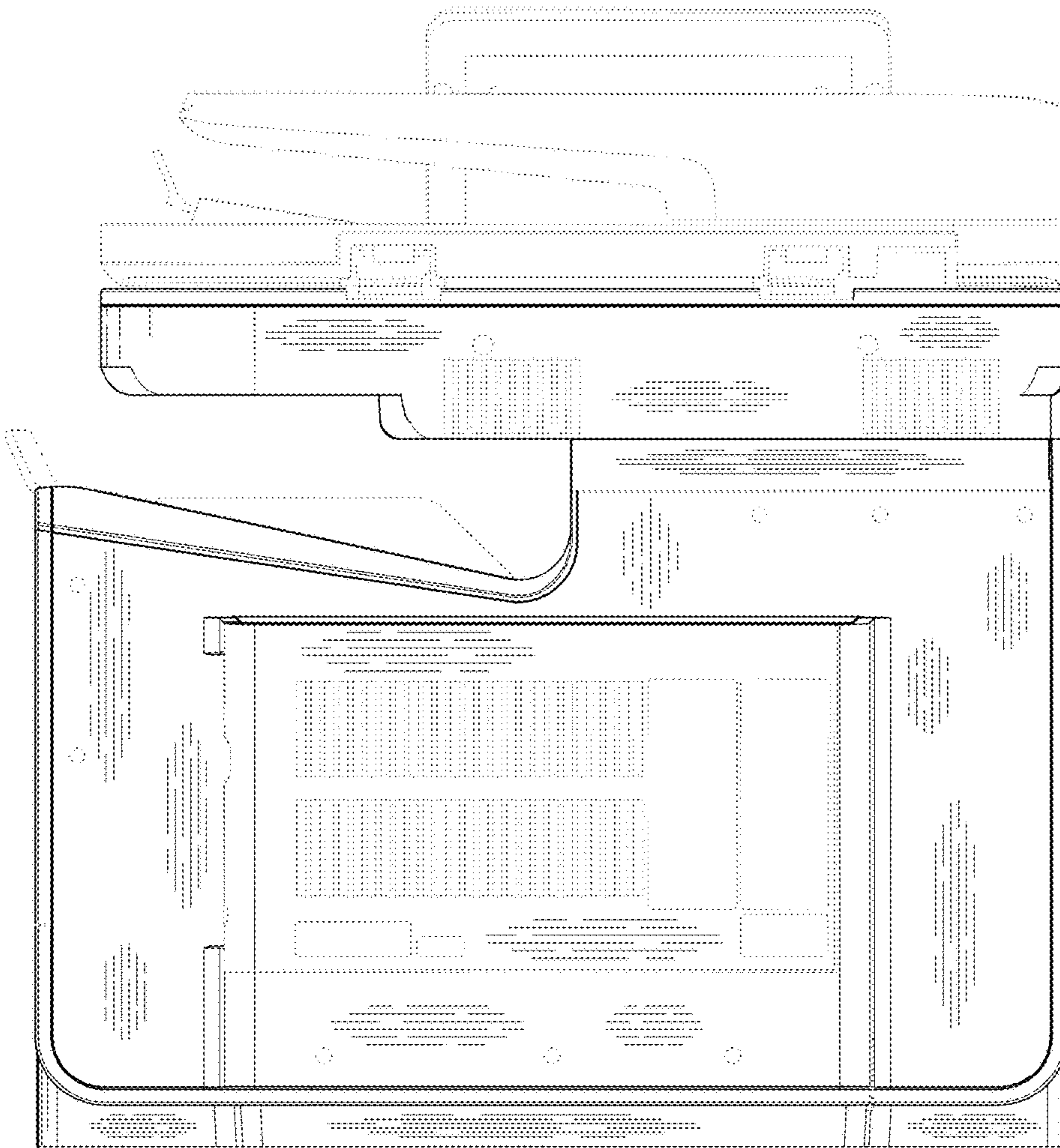


FIG. 6

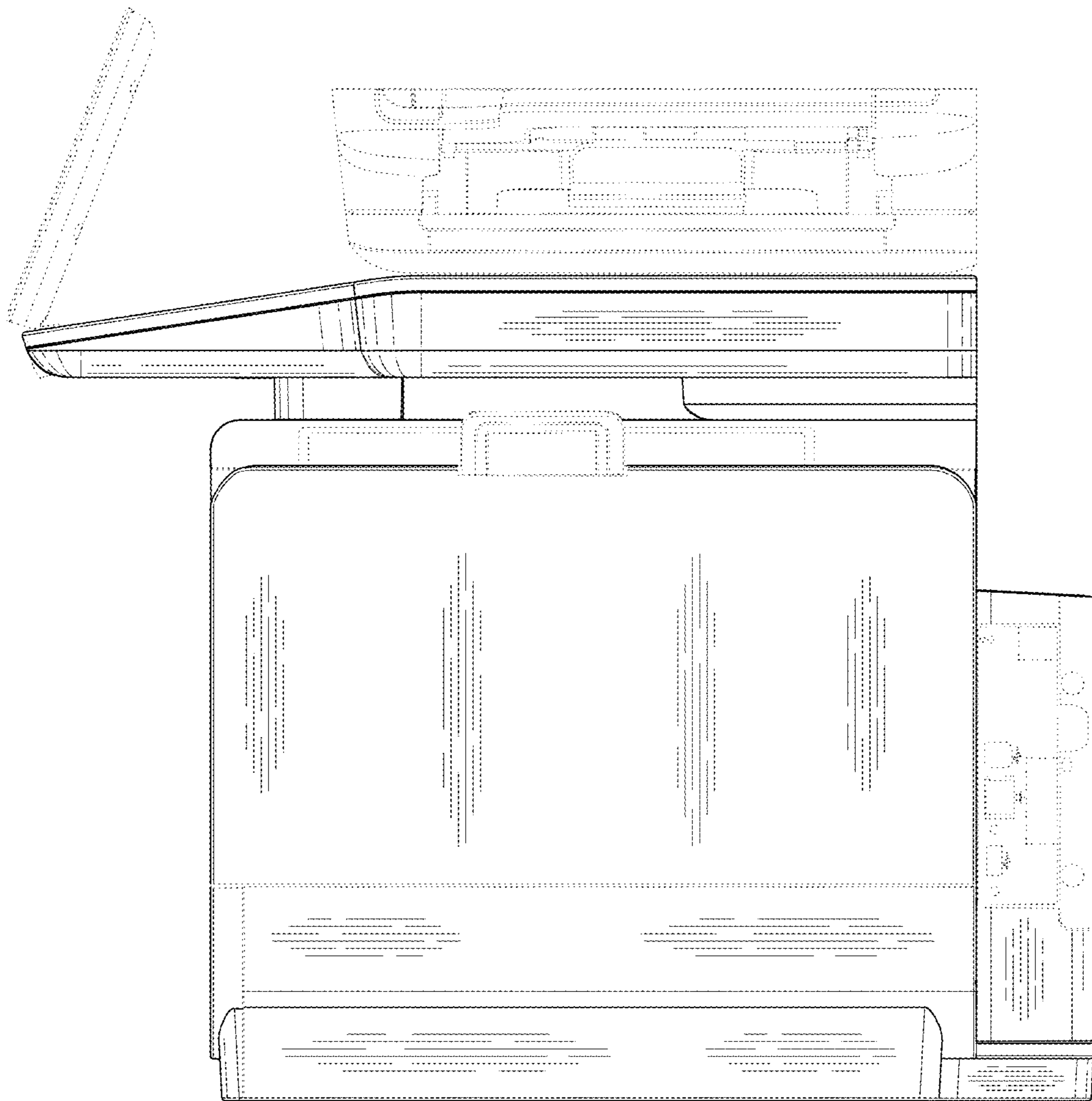


FIG. 7

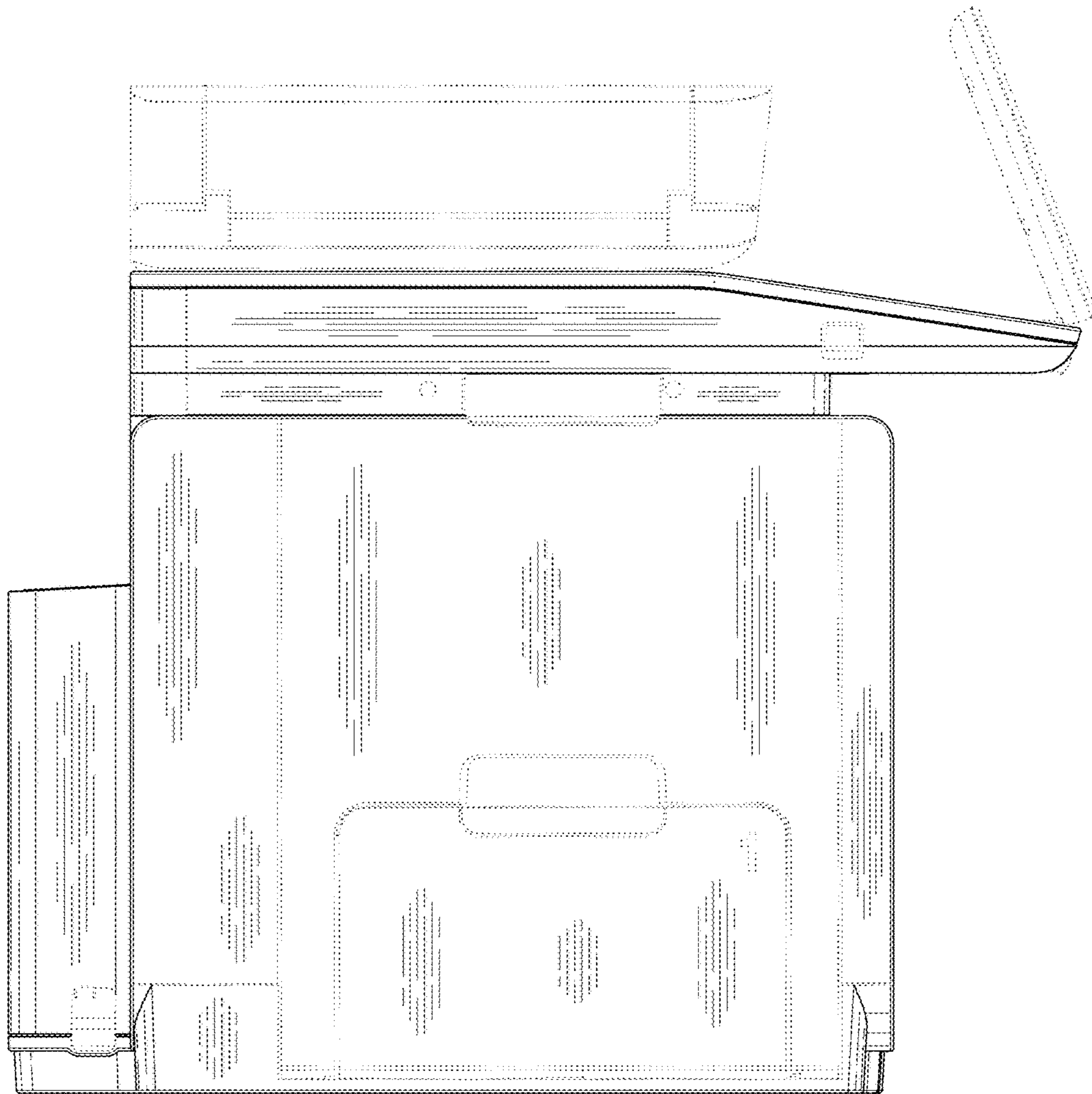


FIG. 8

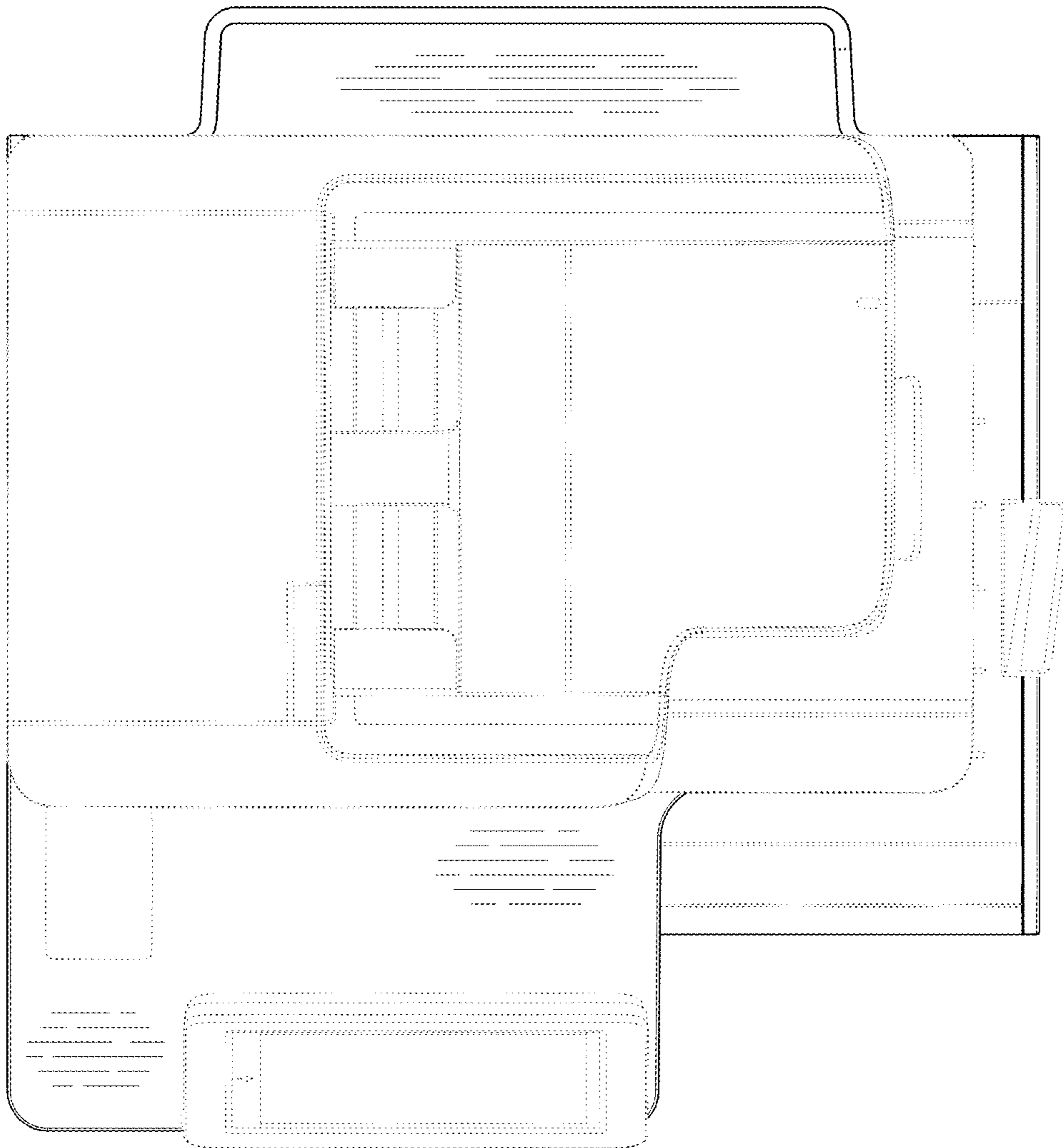


FIG. 9

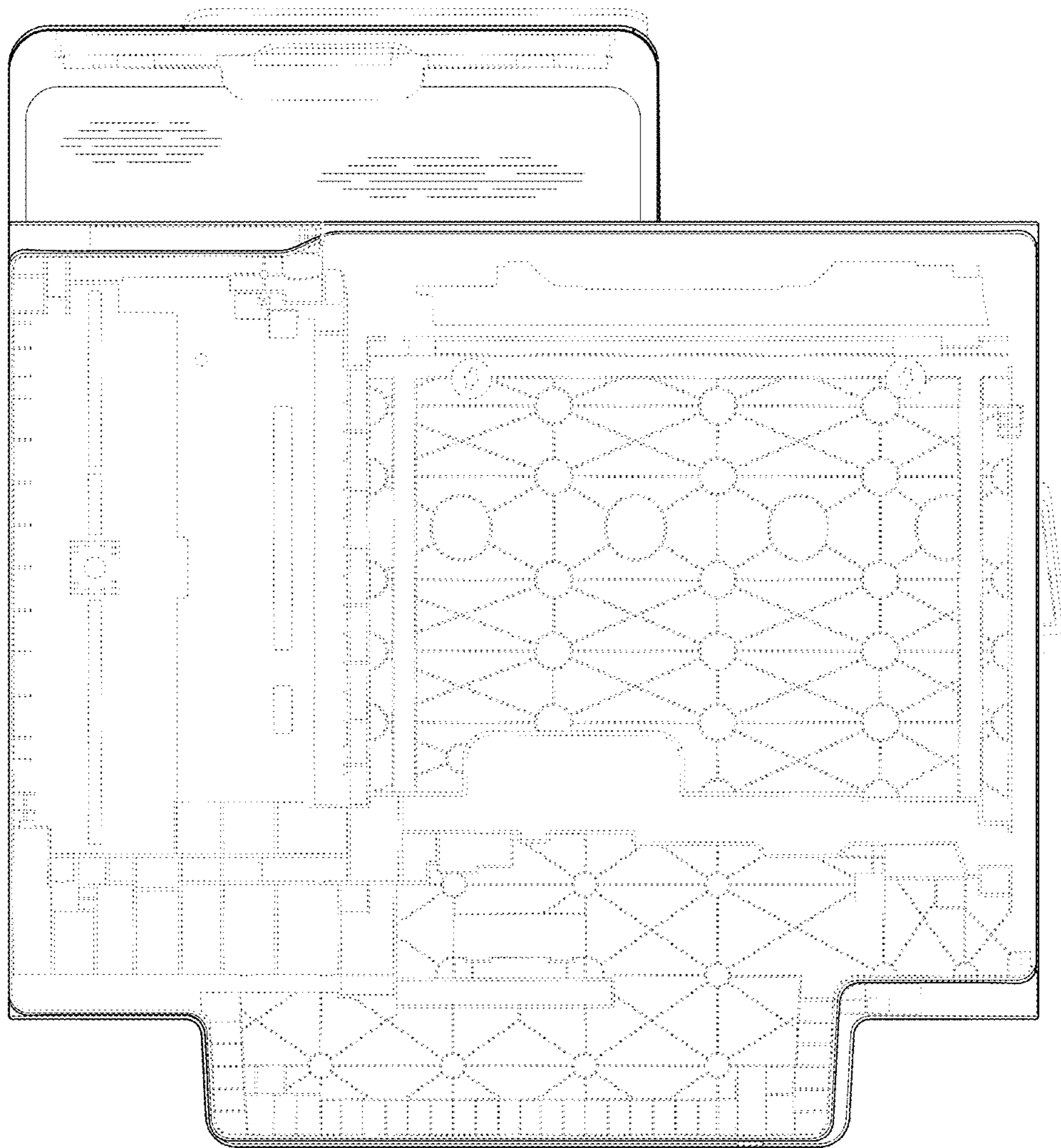


FIG. 10