



US00D814561S

(12) **United States Design Patent**  
**Huang et al.**

(10) **Patent No.:** **US D814,561 S**

(45) **Date of Patent:** **\*\* Apr. 3, 2018**

(54) **PRINTER**

D724,141 S \* 3/2015 Kim ..... D18/55  
D749,169 S \* 2/2016 Kil ..... D18/55  
D755,284 S \* 5/2016 Terenzio ..... D18/50

(71) Applicant: **Hewlett-Packard Development Company, L.P.**, Houston, TX (US)

\* cited by examiner

(72) Inventors: **Daniel Huang**, Houston, TX (US);  
**Xie-Jun Tan**, Houston, TX (US);  
**Cheng-Qun Yang**, Houston, TX (US)

*Primary Examiner* — Cathy A MacCormac  
(74) *Attorney, Agent, or Firm* — Foley & Lardner

(73) Assignee: **Hewlett-Packard Development Company L.P.**, Houston, TX (US)

(57) **CLAIM**

(\*\*) Term: **15 Years**

We claim the ornamental design for a printer, as shown and described.

(21) Appl. No.: **29/528,245**

(22) Filed: **May 27, 2015**

**DESCRIPTION**

(51) **LOC (11) Cl.** ..... **14-02**

(52) **U.S. Cl.**  
USPC ..... **D18/55**

(58) **Field of Classification Search**  
USPC ..... D18/36–39, 50, 54, 54.1, 55;  
D14/420–425  
CPC . B41J 3/4075; B41J 11/58; B41J 15/12; B41J  
15/042; B41J 29/02; B41J 29/08; G06K  
15/12; G06K 15/14  
See application file for complete search history.

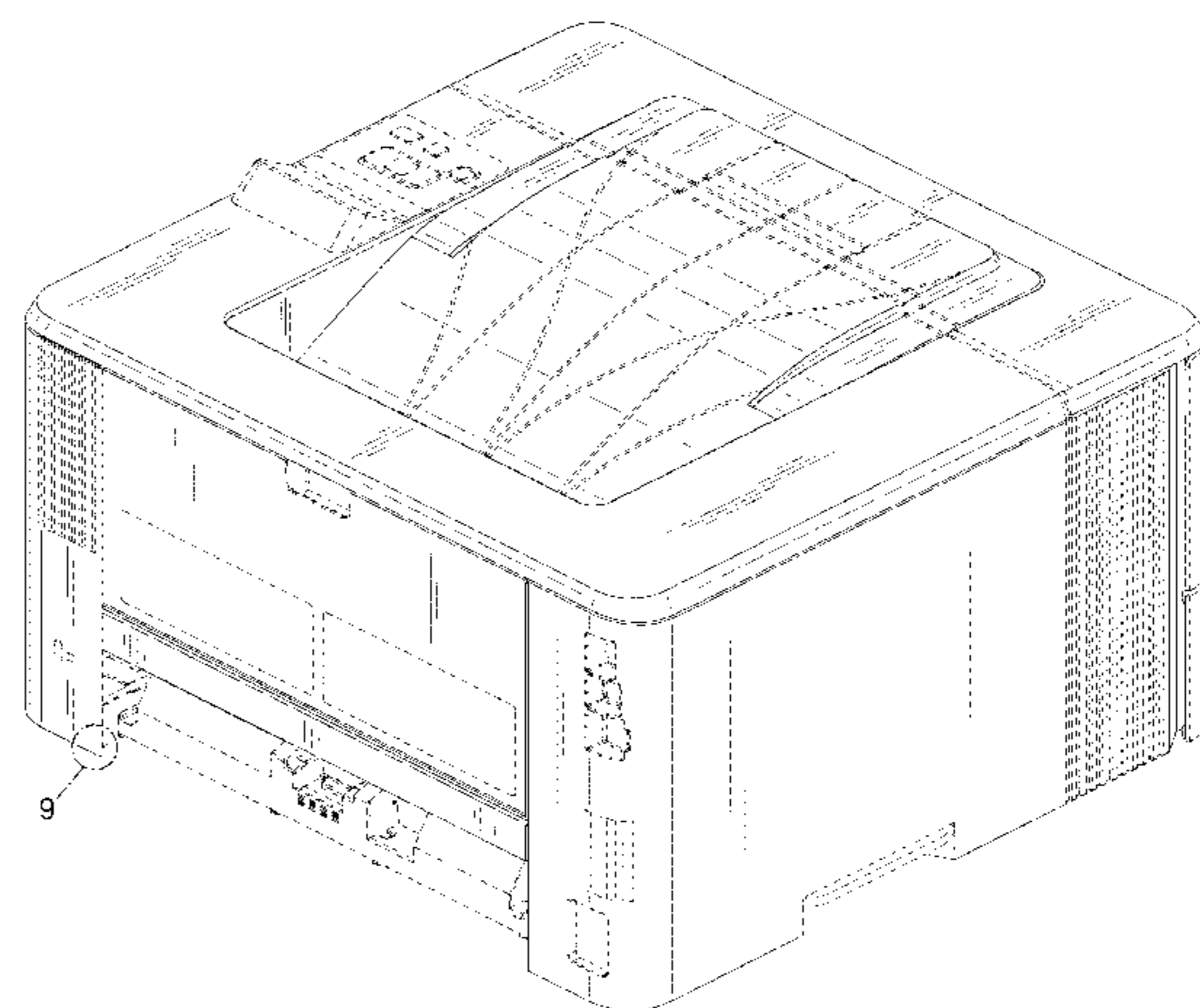
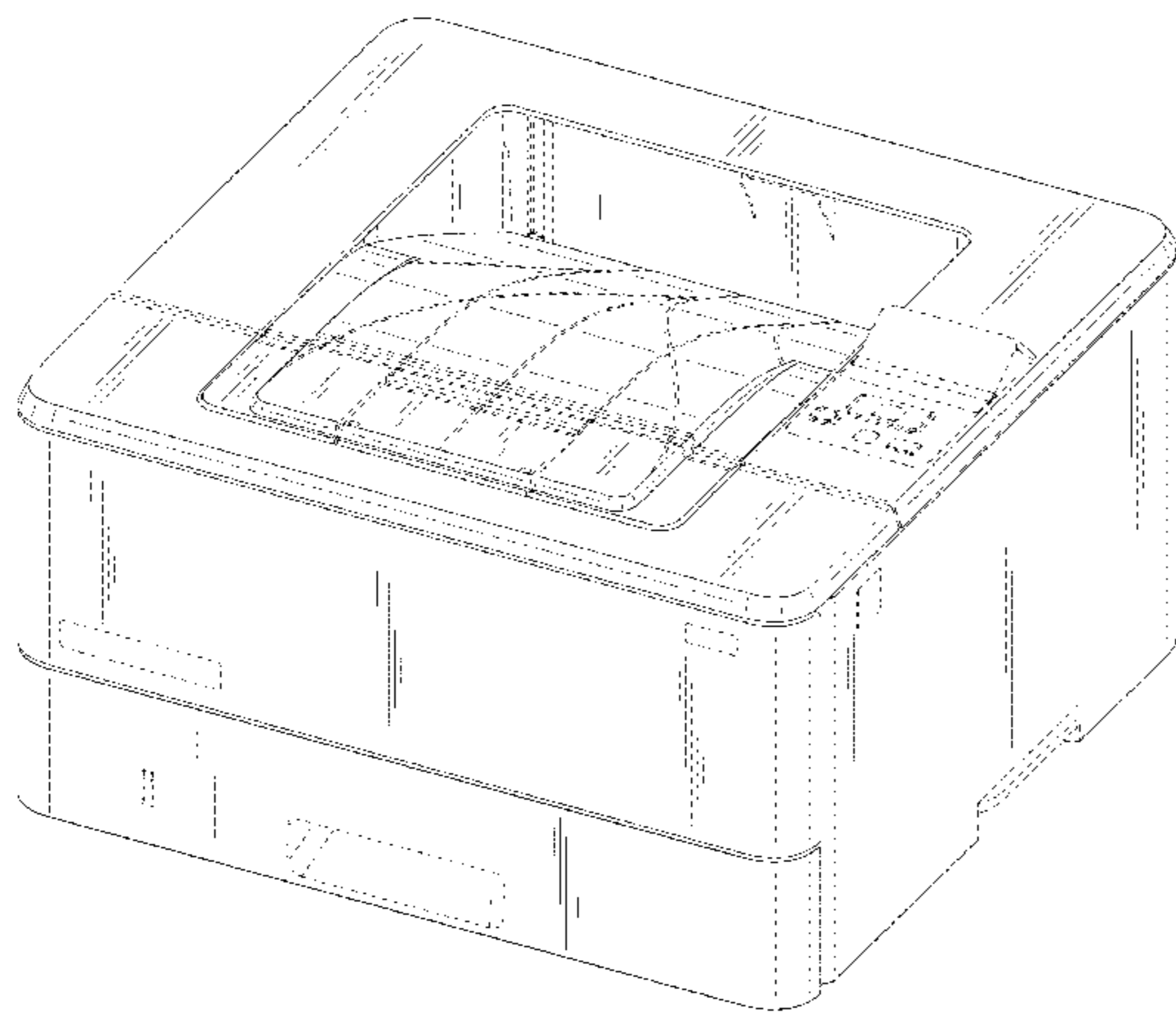
FIG. 1 is a top, front, right side perspective view of the claimed design according to a first embodiment;  
FIG. 2 is a top, rear, left side perspective thereof;  
FIG. 3 is a front elevation view thereof;  
FIG. 4 is a rear elevation view thereof;  
FIG. 5 is a top plan view thereof;  
FIG. 6 is a bottom plan view thereof;  
FIG. 7 is a right side elevation view thereof;  
FIG. 8 is a left side elevation view thereof; and,  
FIG. 9 is a detail view of the portion encircled on FIG. 2. The broken lines depicts environmental subject matter and form no part of the claimed design. The dot-dash broken line encircles a portion of FIG. 2 that depicts a detail view in FIG. 9 and forms no part of the claimed design.

(56) **References Cited**

**U.S. PATENT DOCUMENTS**

D697,964 S \* 1/2014 Fukasawa ..... D18/55

**1 Claim, 9 Drawing Sheets**



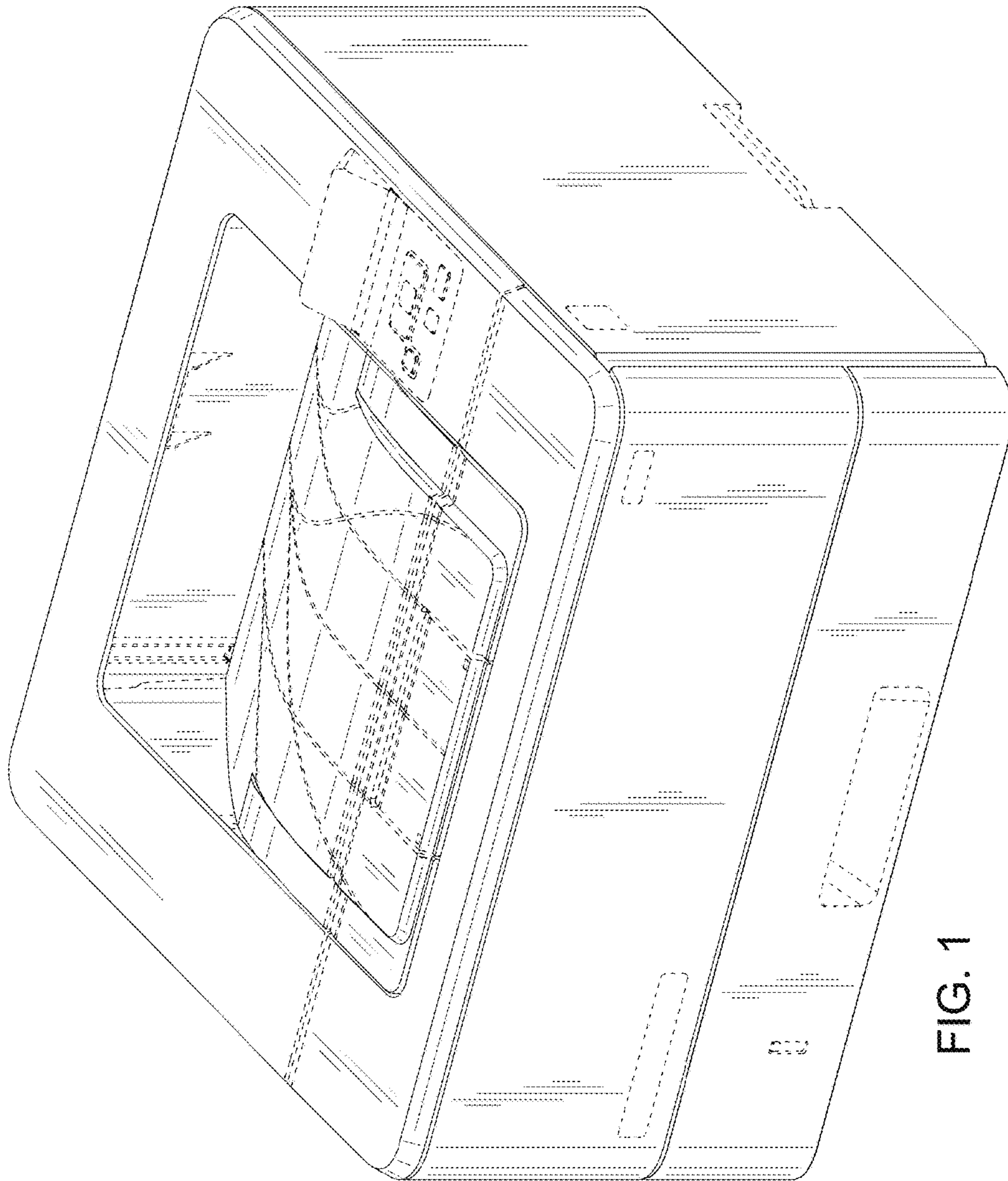


FIG. 1

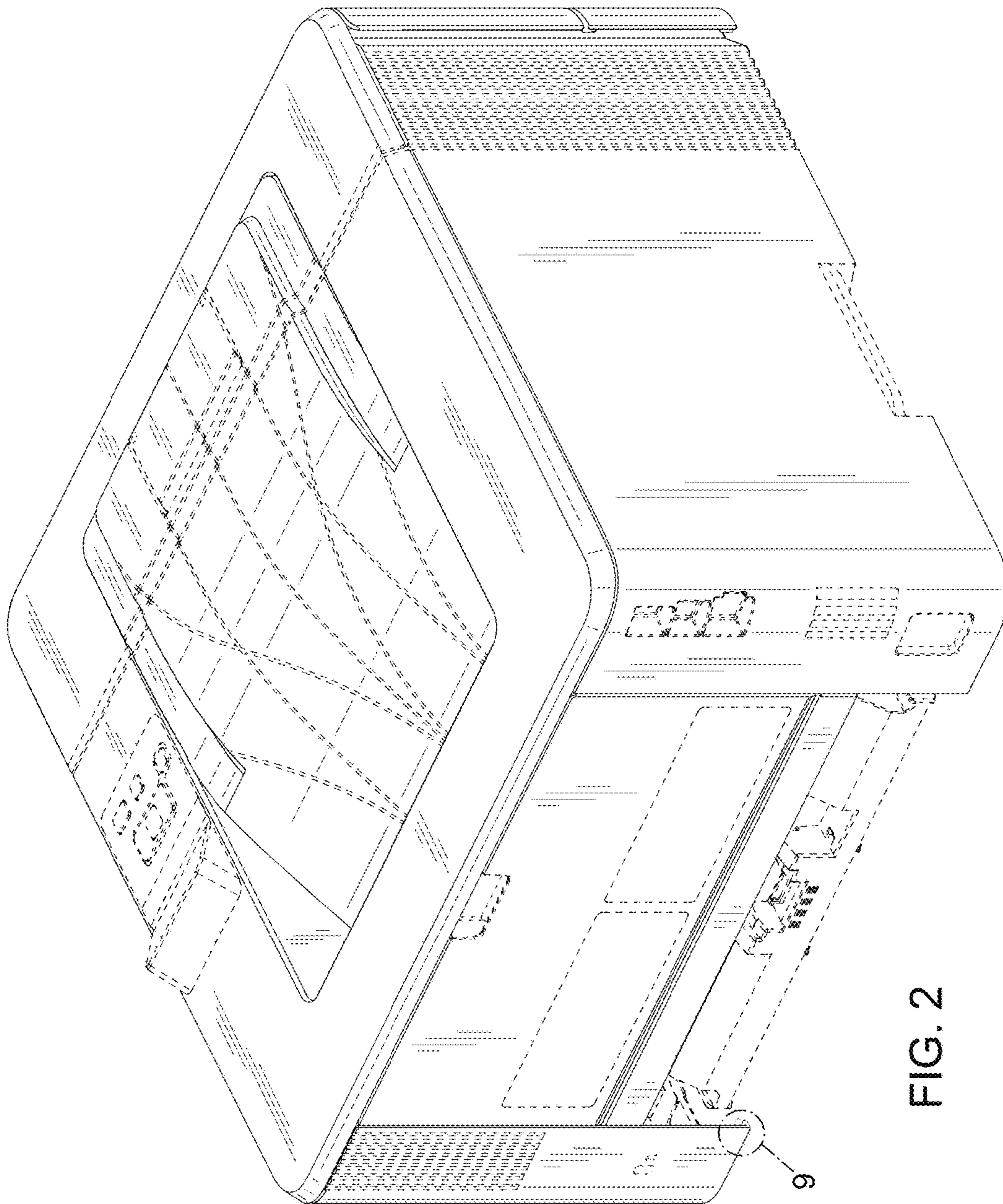


FIG. 2

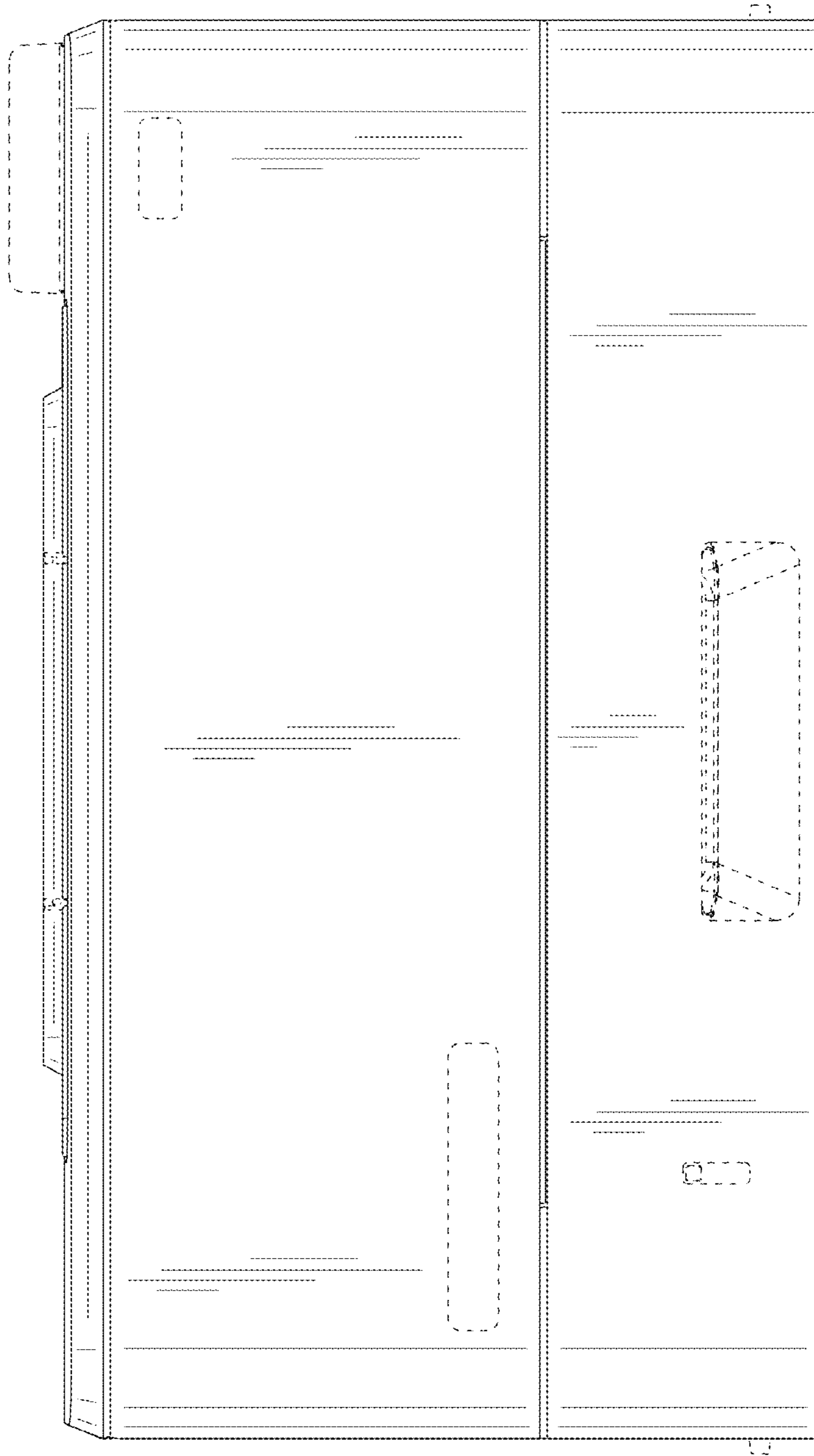


FIG. 3

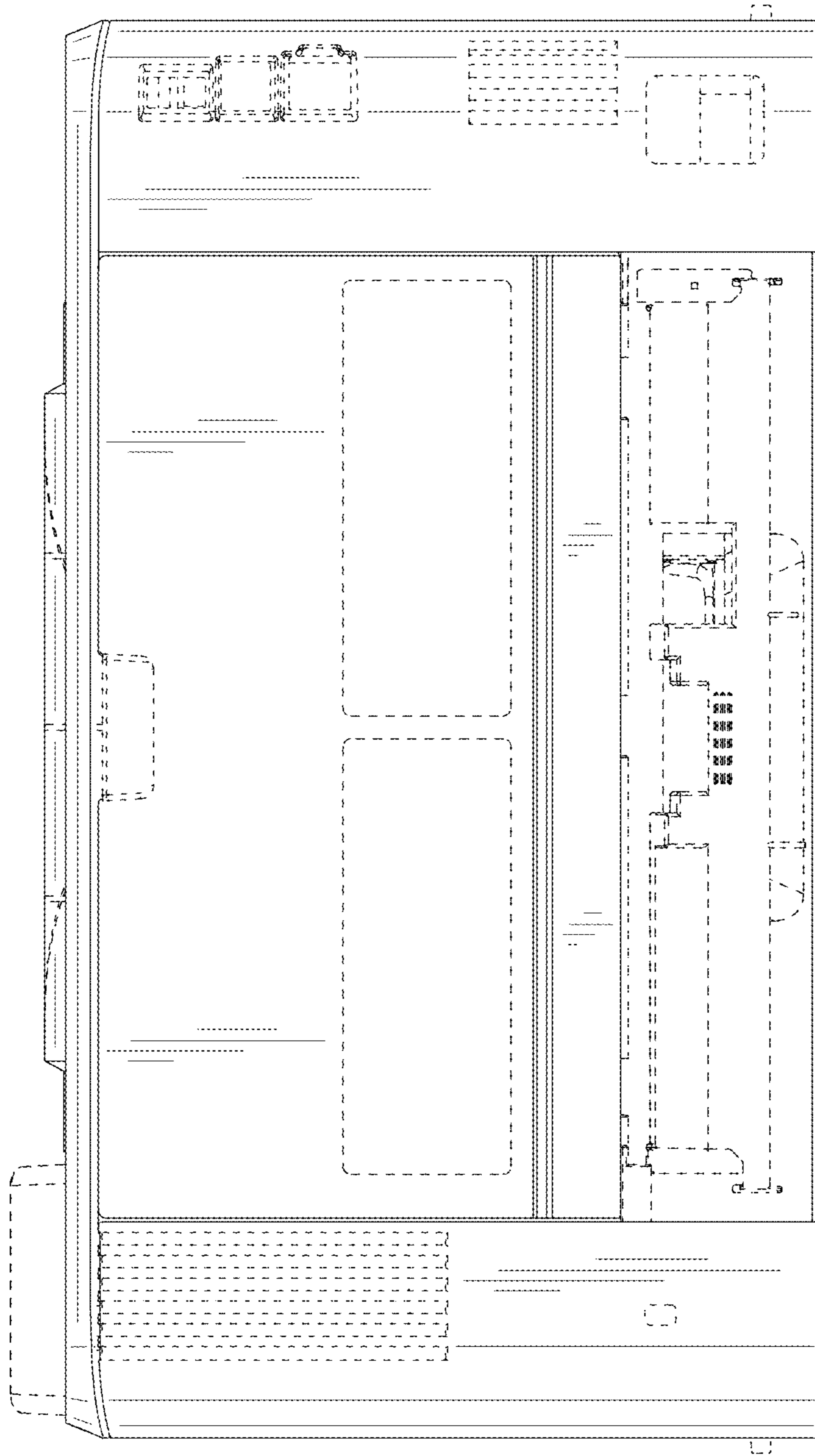


FIG. 4

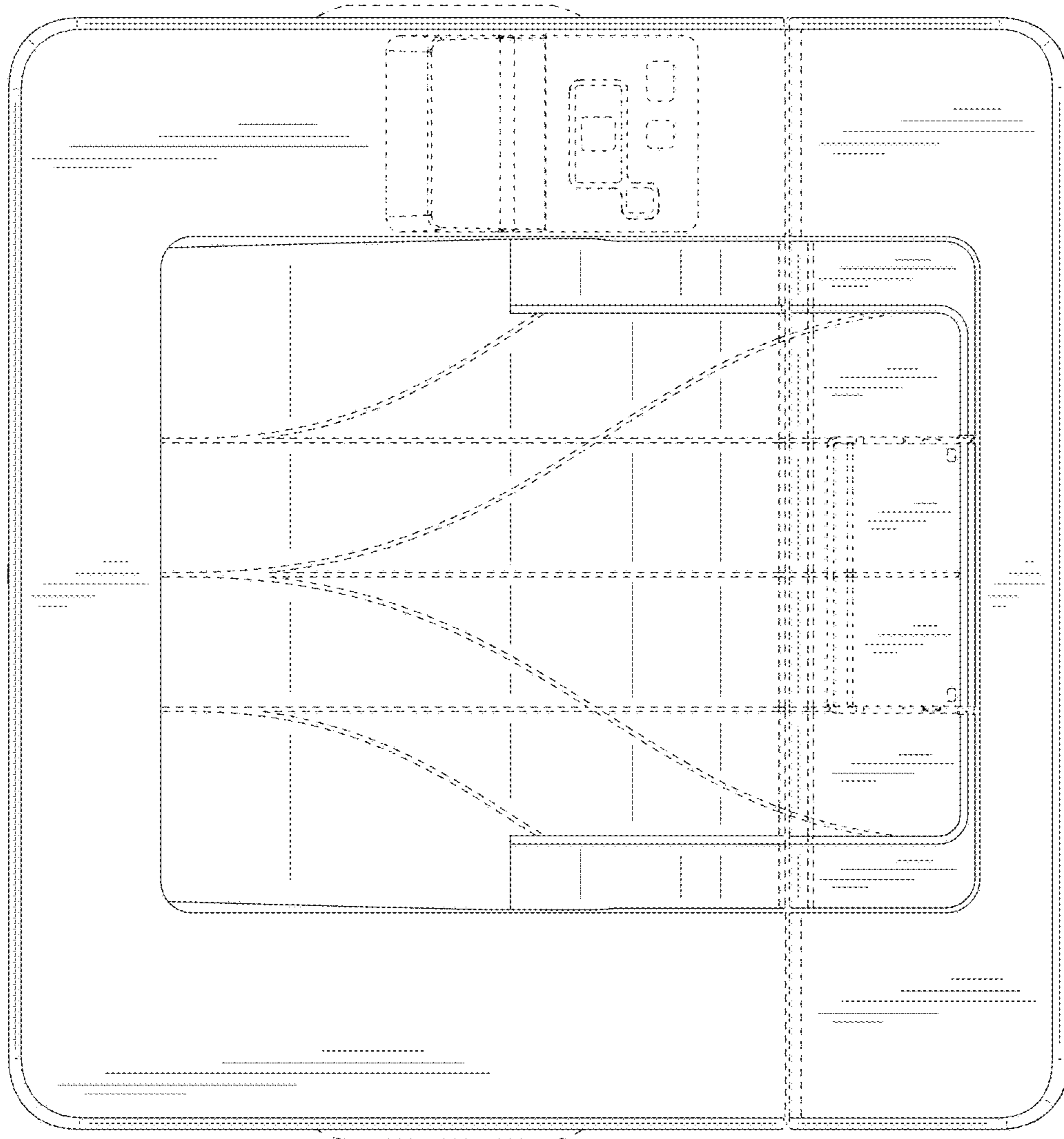


FIG. 5

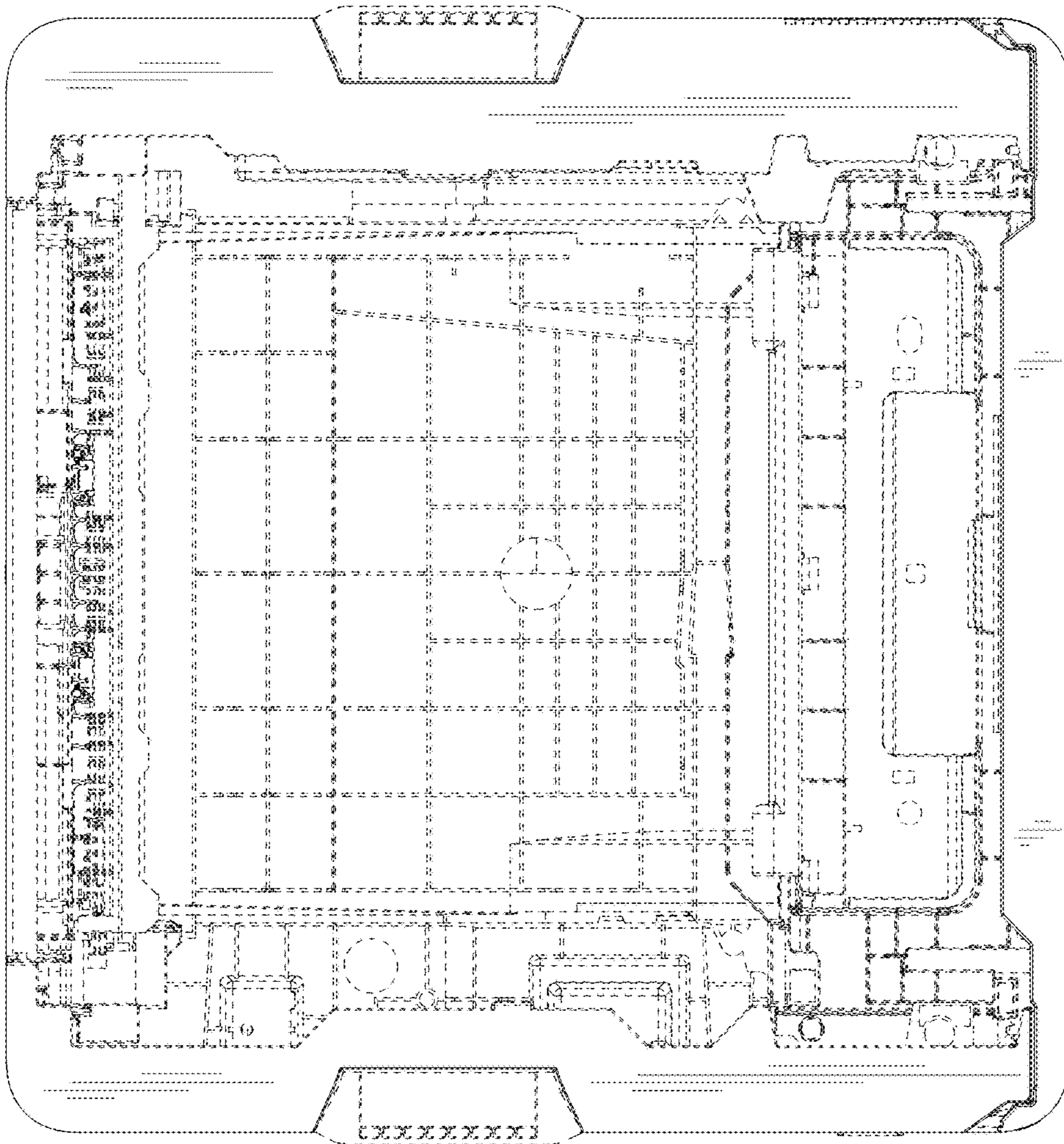


FIG. 6

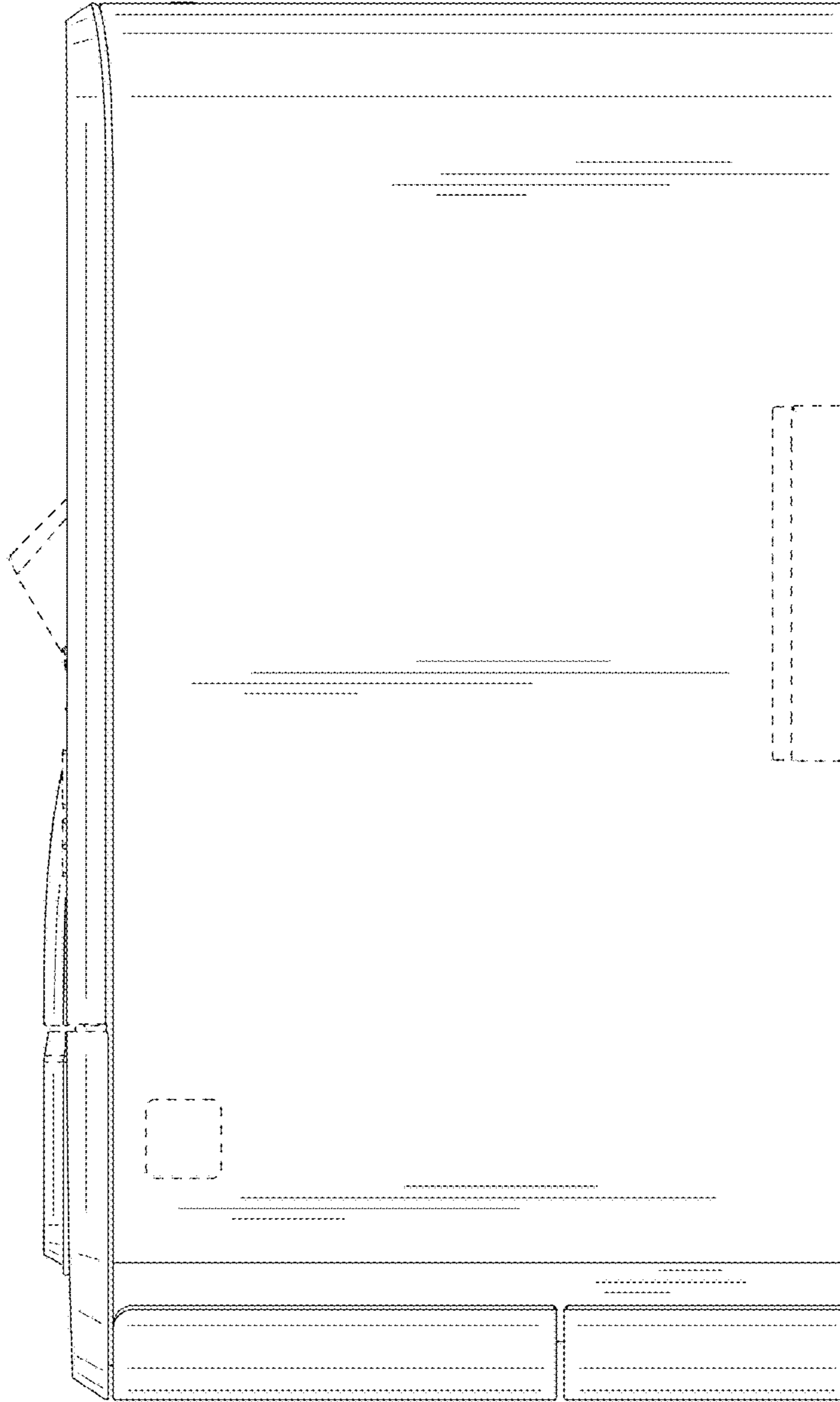


FIG. 7



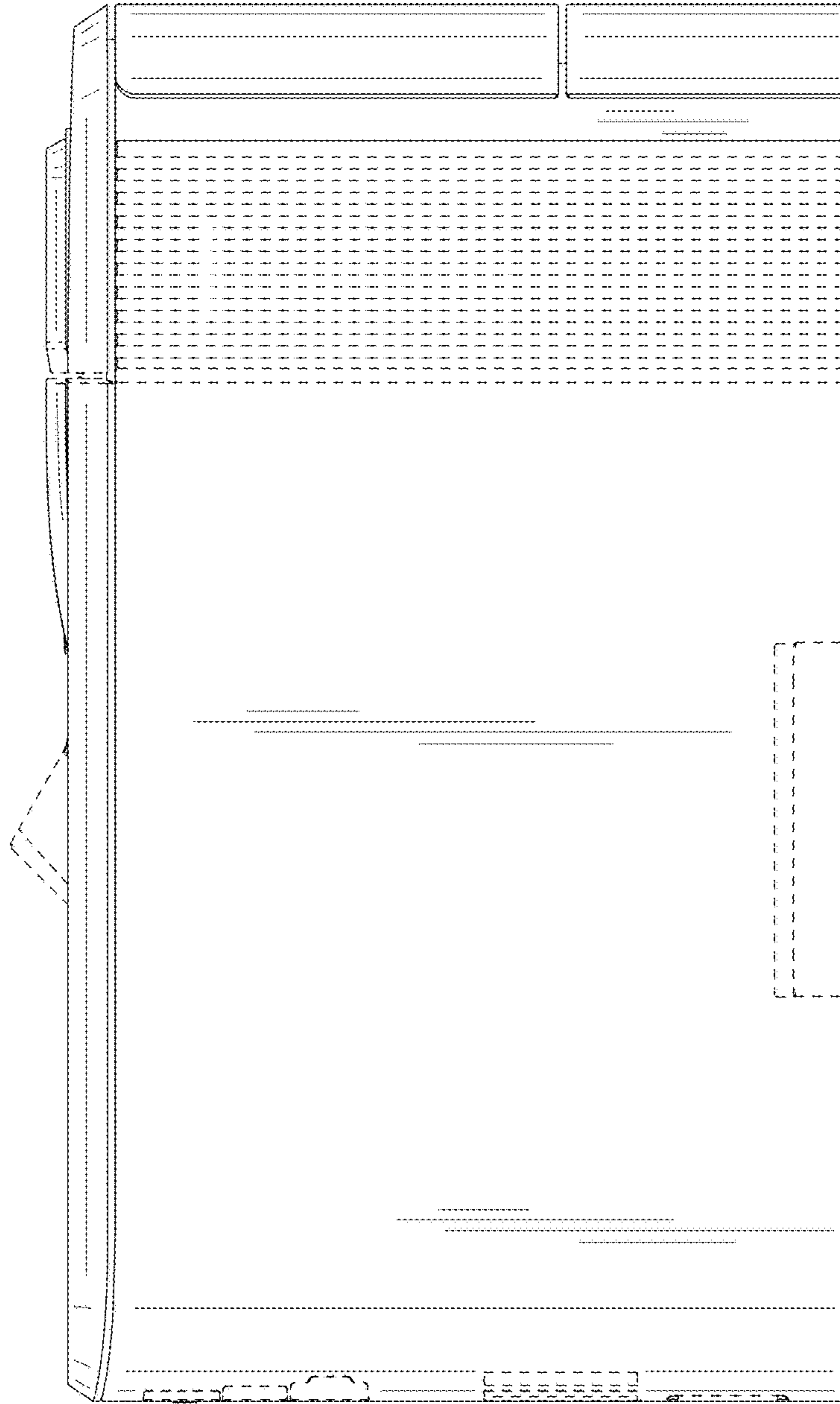


FIG. 8

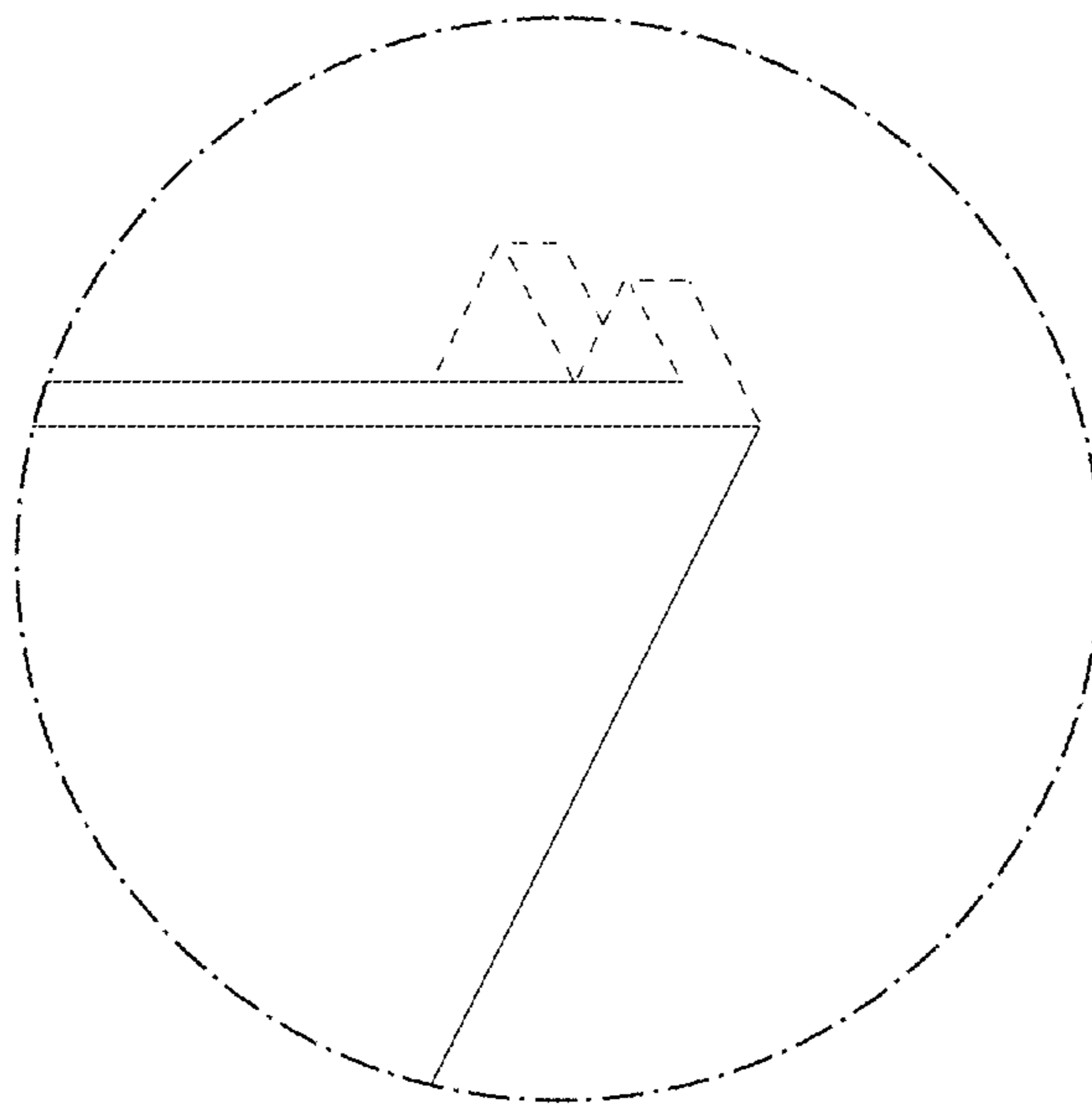


FIG. 9