



US00D814559S

(12) **United States Design Patent** (10) **Patent No.:** **US D814,559 S**  
**Oross et al.** (45) **Date of Patent:** **\*\* Apr. 3, 2018**

(54) **ELECTRONIC PAYMENT DEVICE**

(71) Applicant: **VERIFONE, INC.**, San Jose, CA (US)

(72) Inventors: **Glen Allen Oross**, San Diego, CA (US); **Casey Gardner Peterson**, Scotts Valley, CA (US); **Anh Tuan Nguyen**, San Mateo, CA (US); **Sean Aaron Missal**, San Francisco, CA (US); **Kyle Nathen Swen**, San Carlos, CA (US); **Kyle George Halkola**, Los Altos, CA (US); **Christopher Earle Woon**, Santa Clara, CA (US)

(73) Assignee: **VERIFONE, INC.**, San Jose, CA (US)

(\*\*) Term: **15 Years**

(21) Appl. No.: **29/543,157**

(22) Filed: **Oct. 21, 2015**

(51) **LOC (11) Cl.** ..... **18-01**

(52) **U.S. Cl.**  
USPC ..... **D18/4.4; D14/385**

(58) **Field of Classification Search**  
USPC ... D18/4.4, 4.6, 4.1, 4.3, 4.5, 12, 12.1, 12.3, D18/56; D14/178, 239, 307, 332, 336,  
(Continued)

(56) **References Cited**

**U.S. PATENT DOCUMENTS**

D362,427 S \* 9/1995 Mizusugi ..... D18/4.4  
D385,903 S \* 11/1997 Kim ..... D14/336  
(Continued)

**OTHER PUBLICATIONS**

AEVI—Albert—Downloaded from: <http://www.aevi.com/albert.html> [Apr. 21, 2016 15:07:33].

(Continued)

*Primary Examiner* — Austin Murphy

(74) *Attorney, Agent, or Firm* — Hunton & Williams LLP

(57) **CLAIM**

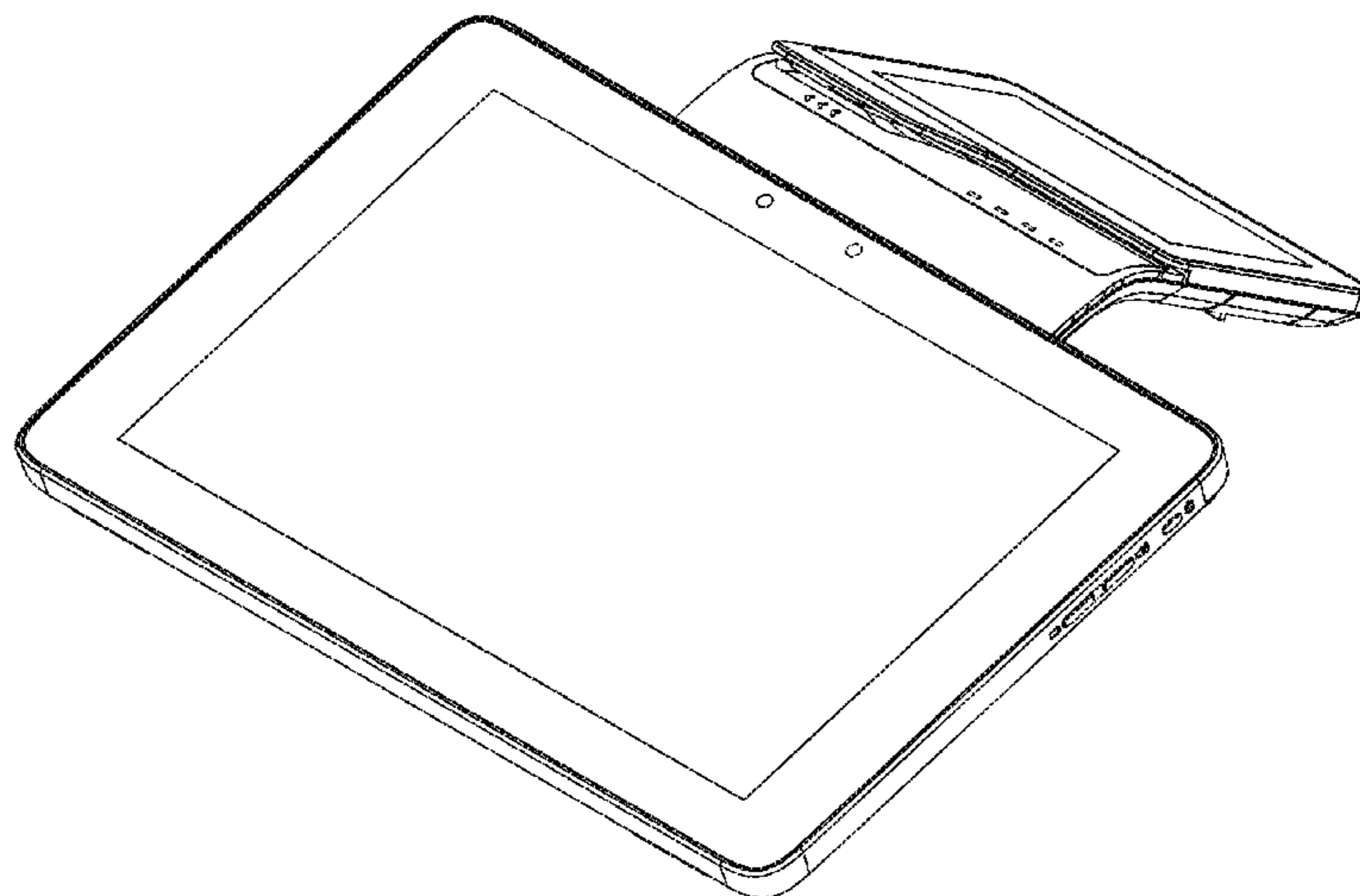
The ornamental design for an electronic payment device, as shown and described.

**DESCRIPTION**

FIG. 1 is a top perspective view of an electronic payment device in accordance with the present design; FIG. 2 is a bottom perspective view thereof; FIG. 3 is a front view thereof; FIG. 4 is a bottom view thereof; FIG. 5 is a left side view thereof; FIG. 6 is a right side view thereof; FIG. 7 is a top view thereof; FIG. 8 is a back view thereof; FIG. 9 is a top perspective view of an electronic payment device in accordance with the present design; FIG. 10 is a bottom perspective view thereof; FIG. 11 is a front view thereof; FIG. 12 is a bottom view thereof; FIG. 13 is a left side view thereof; FIG. 14 is a right side view thereof; FIG. 15 is a top view thereof; FIG. 16 is a back view thereof; FIG. 17 is a top perspective view of an electronic payment device in accordance with the present design; FIG. 18 is a bottom perspective view thereof; FIG. 19 is a front view thereof; FIG. 20 is a bottom view thereof; FIG. 21 is a left side view thereof; FIG. 22 is a right side view thereof; FIG. 23 is a top view thereof; and, FIG. 24 is a back view thereof.

The broken lines in the drawing figures depict unclaimed environment and form no part of the claimed design.

**1 Claim, 15 Drawing Sheets**



(58) **Field of Classification Search**

USPC ..... D14/337, 341, 371, 374–377, 385, 386,  
                   D14/420, 421, 448, 451, 452; D20/10,  
                   D20/41, 99; D99/28, 34, 35, 36, 37, 43,  
                   D99/99  
 CPC ..... G07F 7/08; G07F 7/0873; G07F 7/088;  
                   G07F 7/0886; G07F 7/0893; G07F 19/00;  
                   G07G 1/12; G06Q 20/20; G06K 7/083;  
                   G06K 2014/0067

See application file for complete search history.

D563,405 S \* 3/2008 Taniho ..... D14/336  
 D586,566 S \* 2/2009 Ko ..... D6/312  
 D587,296 S \* 2/2009 Kuramochi ..... D18/4.5  
 D647,898 S \* 11/2011 Haller ..... D14/336  
 D673,952 S \* 1/2013 Toda ..... D14/383  
 D676,900 S \* 2/2013 Ohno ..... D18/12.3  
 D687,484 S \* 8/2013 Eun ..... D18/4.6  
 D698,384 S \* 1/2014 Cruz ..... D18/4.4  
 D713,447 S \* 9/2014 Balar ..... D18/4.6  
 D746,902 S \* 1/2016 Lyons ..... D18/4.5  
 D772,335 S \* 11/2016 Mantrawadi ..... D18/4.6

(56)

**References Cited**

U.S. PATENT DOCUMENTS

D420,040 S \* 2/2000 Mizusugi ..... D18/4.4  
 D451,535 S \* 12/2001 Lee ..... D18/4.6  
 D458,255 S \* 6/2002 Hsu ..... D14/373  
 D507,592 S \* 7/2005 Mizusugi ..... D18/4.1  
 D526,003 S \* 8/2006 Shih ..... D18/4.5  
 D527,760 S \* 9/2006 Ono ..... D18/4.5  
 D545,882 S \* 7/2007 Sato ..... D18/4.4

OTHER PUBLICATIONS

Clover Mobile—Downloaded from: <https://www.clover.com/pos-hardware/mobile> [Apr. 21, 2016 15:00:30].  
 Clover Station—Downloaded from: <https://www.clover.com/pos-hardware/station> [Apr. 21, 2016 14:57:41].  
 Poynt—The Smart Terminal—Downloaded from: <https://poynt.com/> [Apr. 21, 2016 15:01:55].

\* cited by examiner

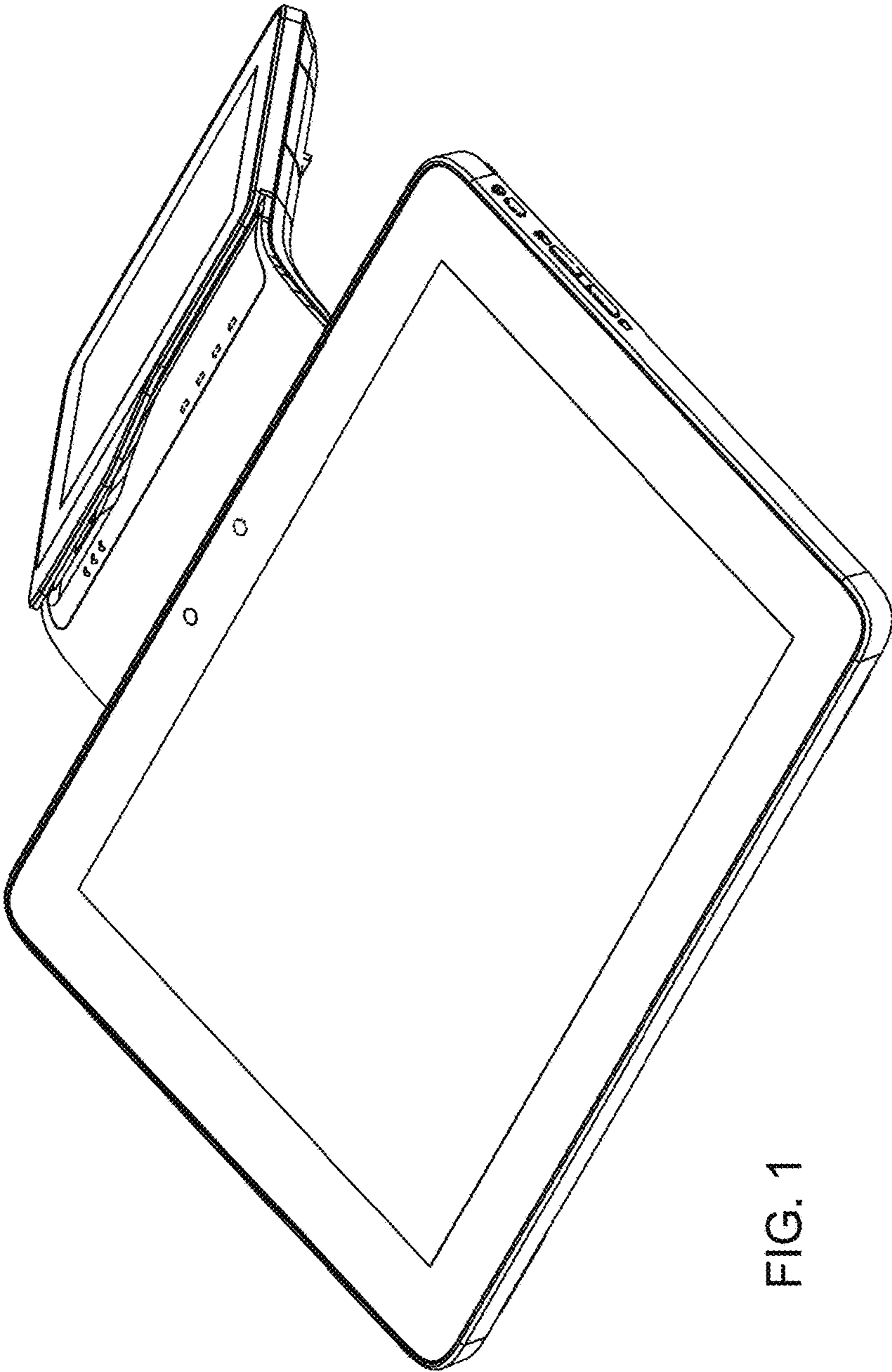


FIG. 1

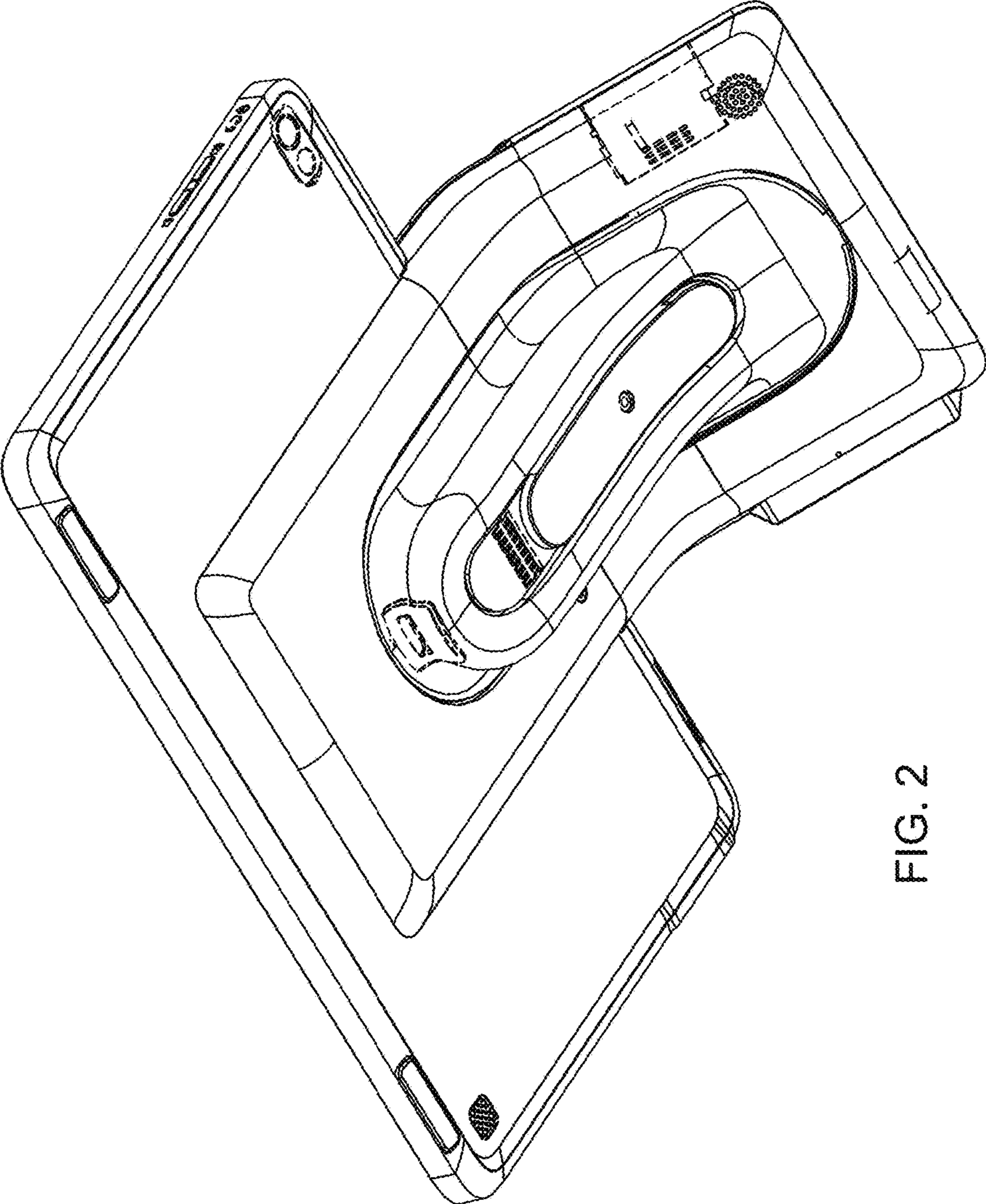


FIG. 2

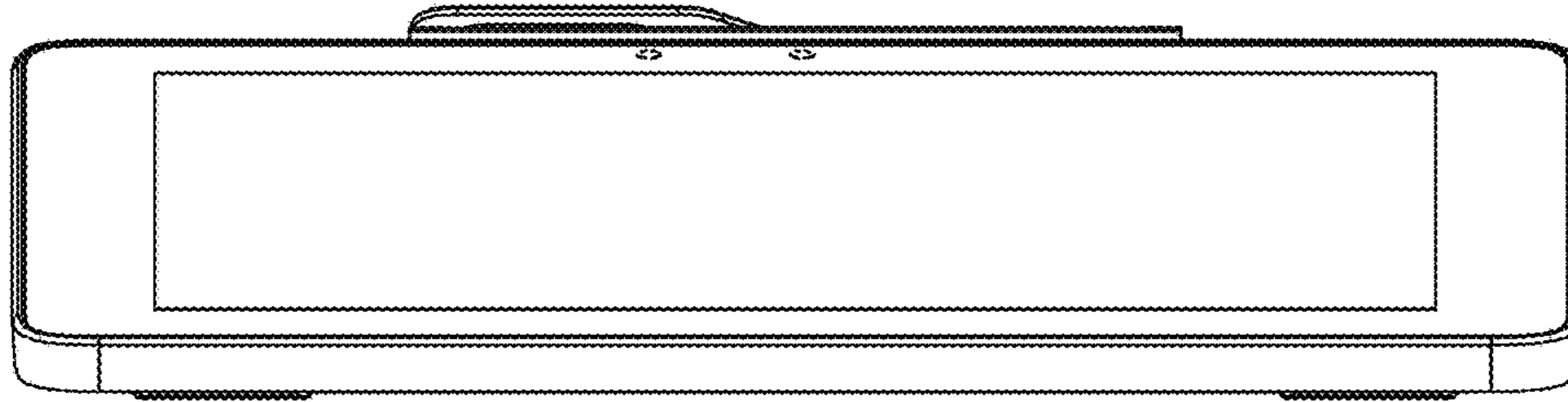


FIG. 3

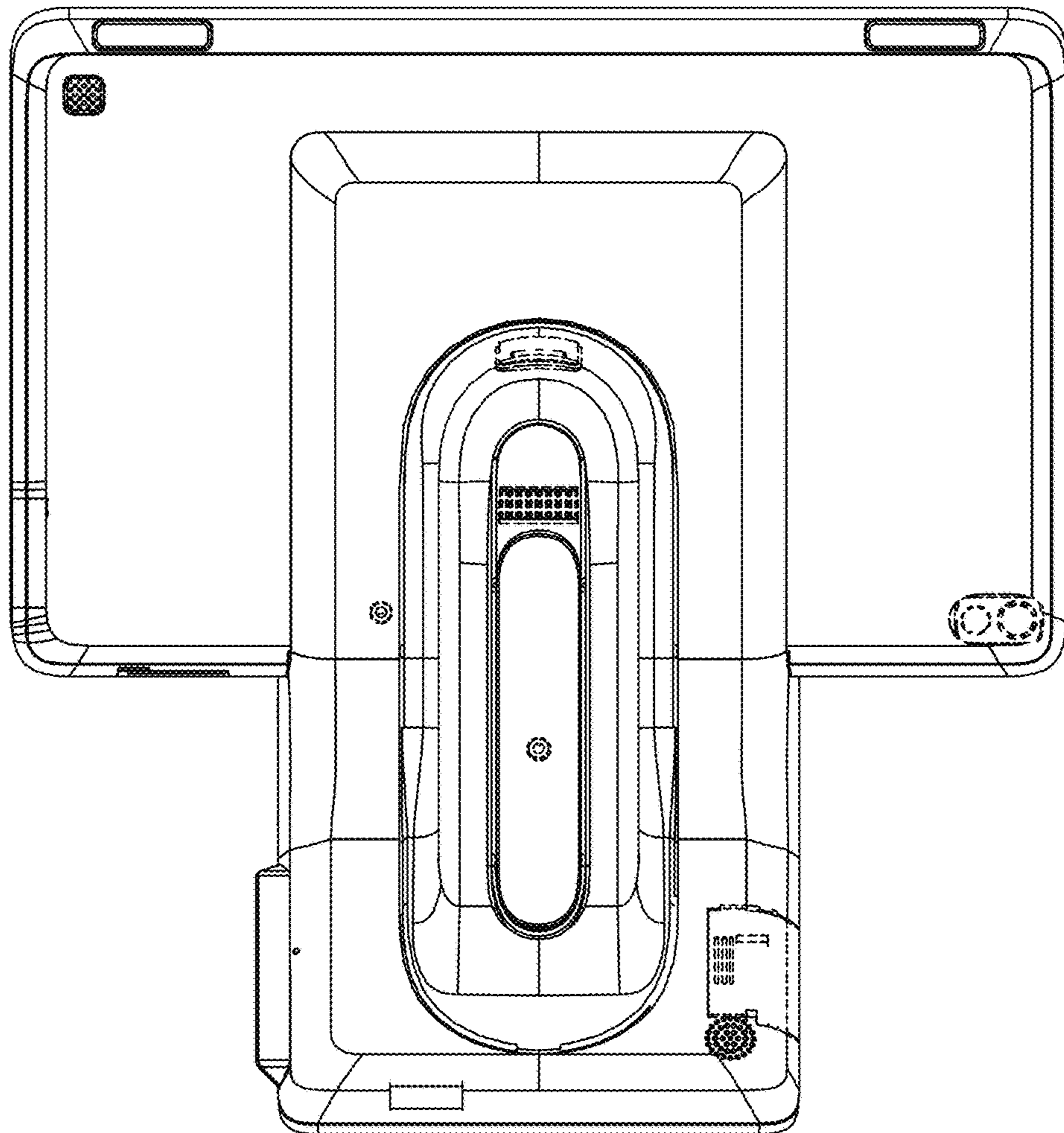


FIG. 4

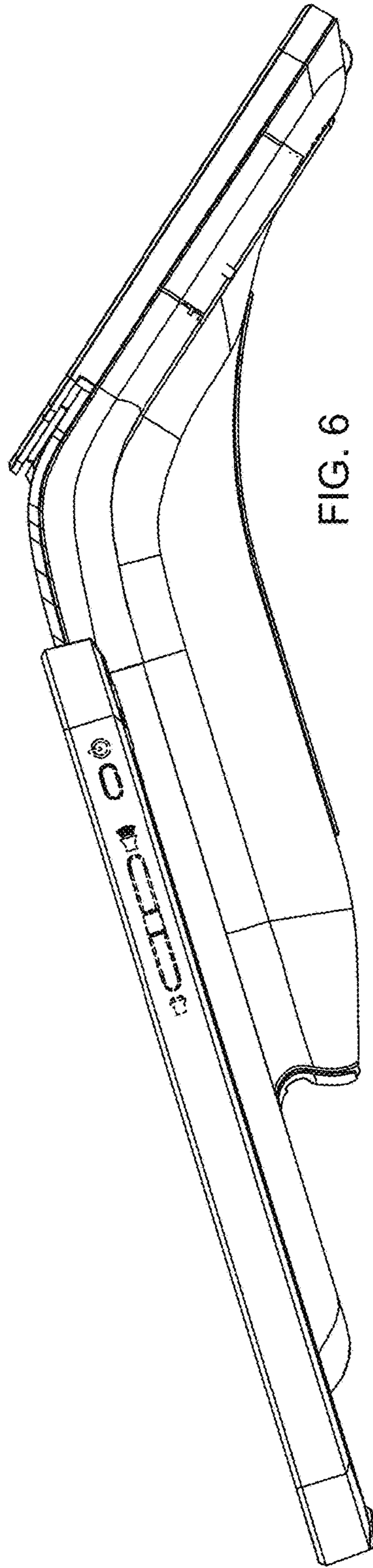
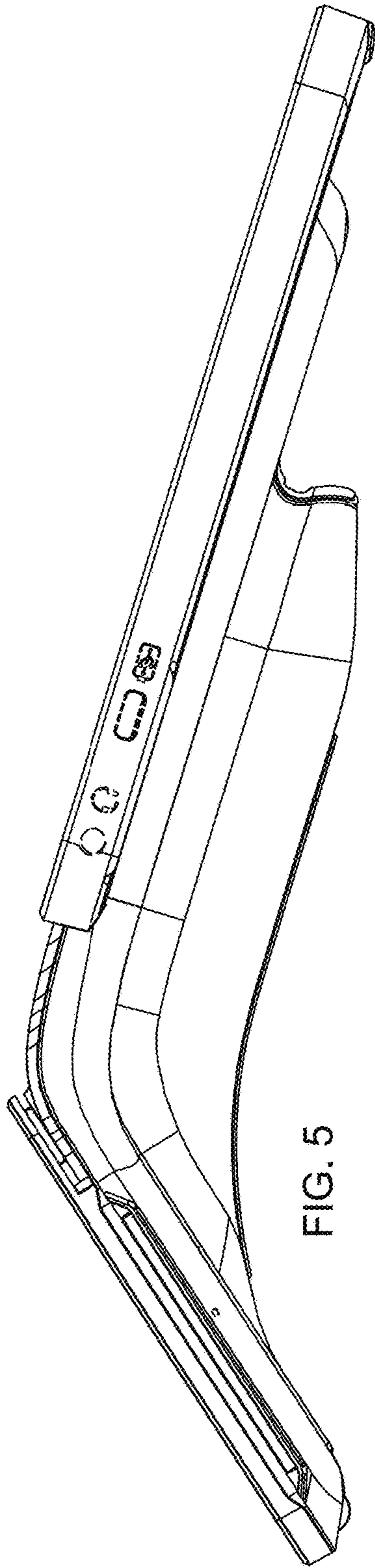


FIG. 7

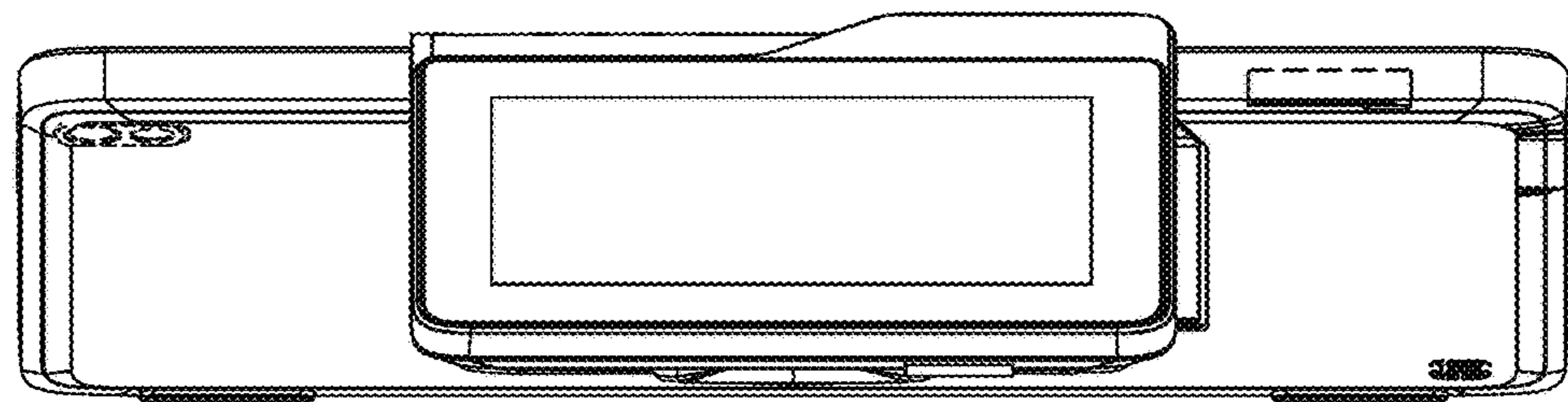
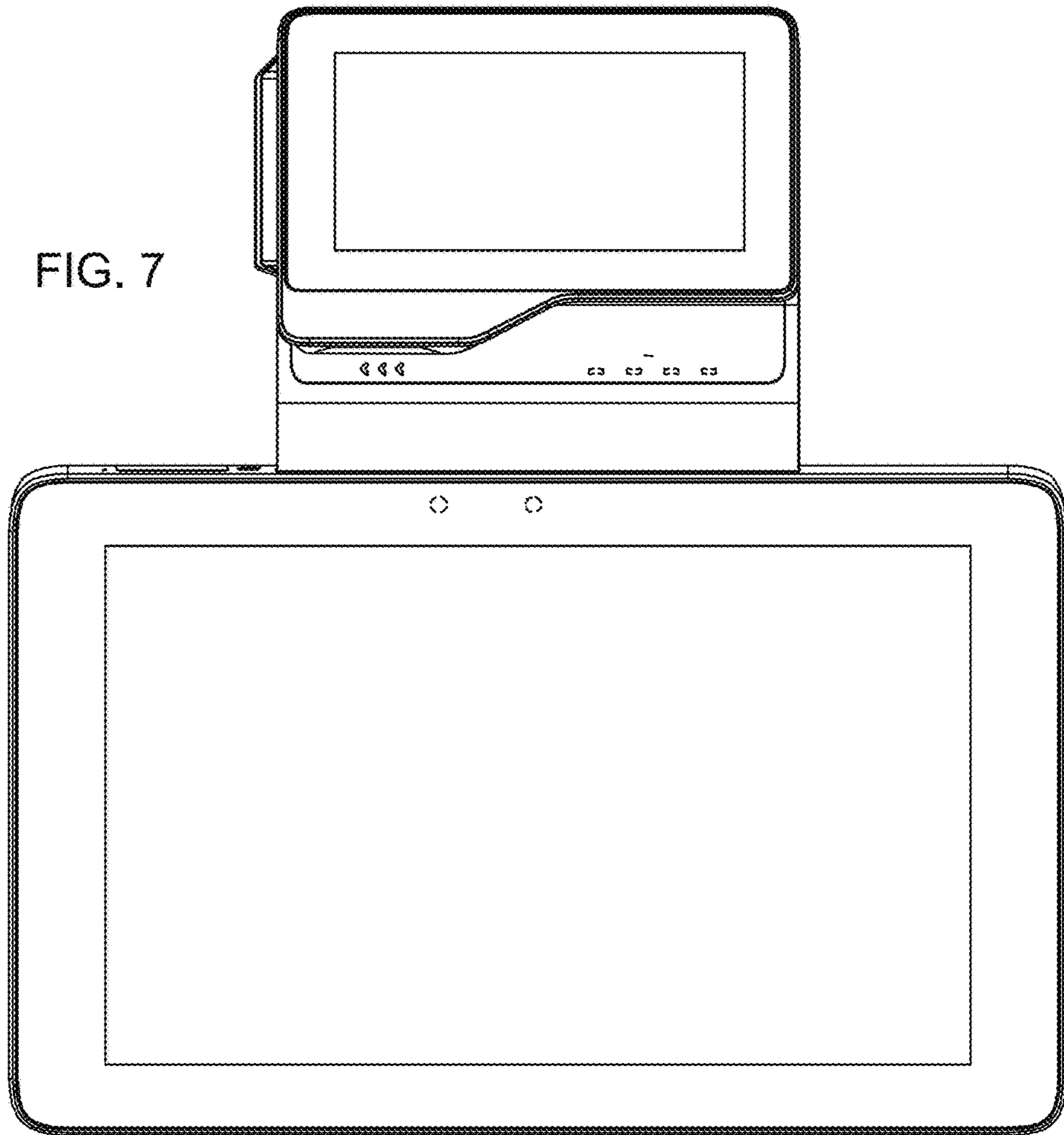


FIG. 8

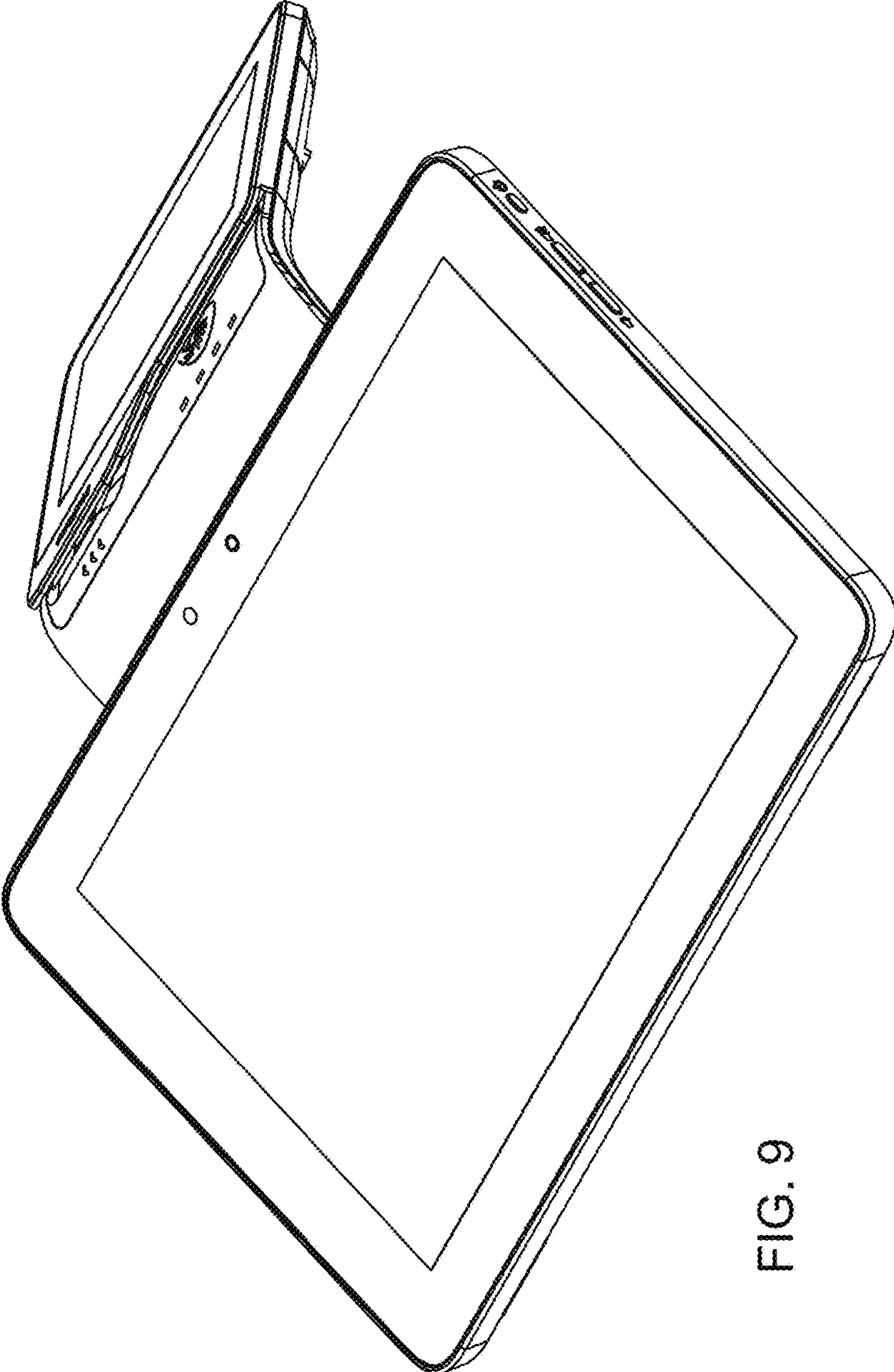


FIG. 9



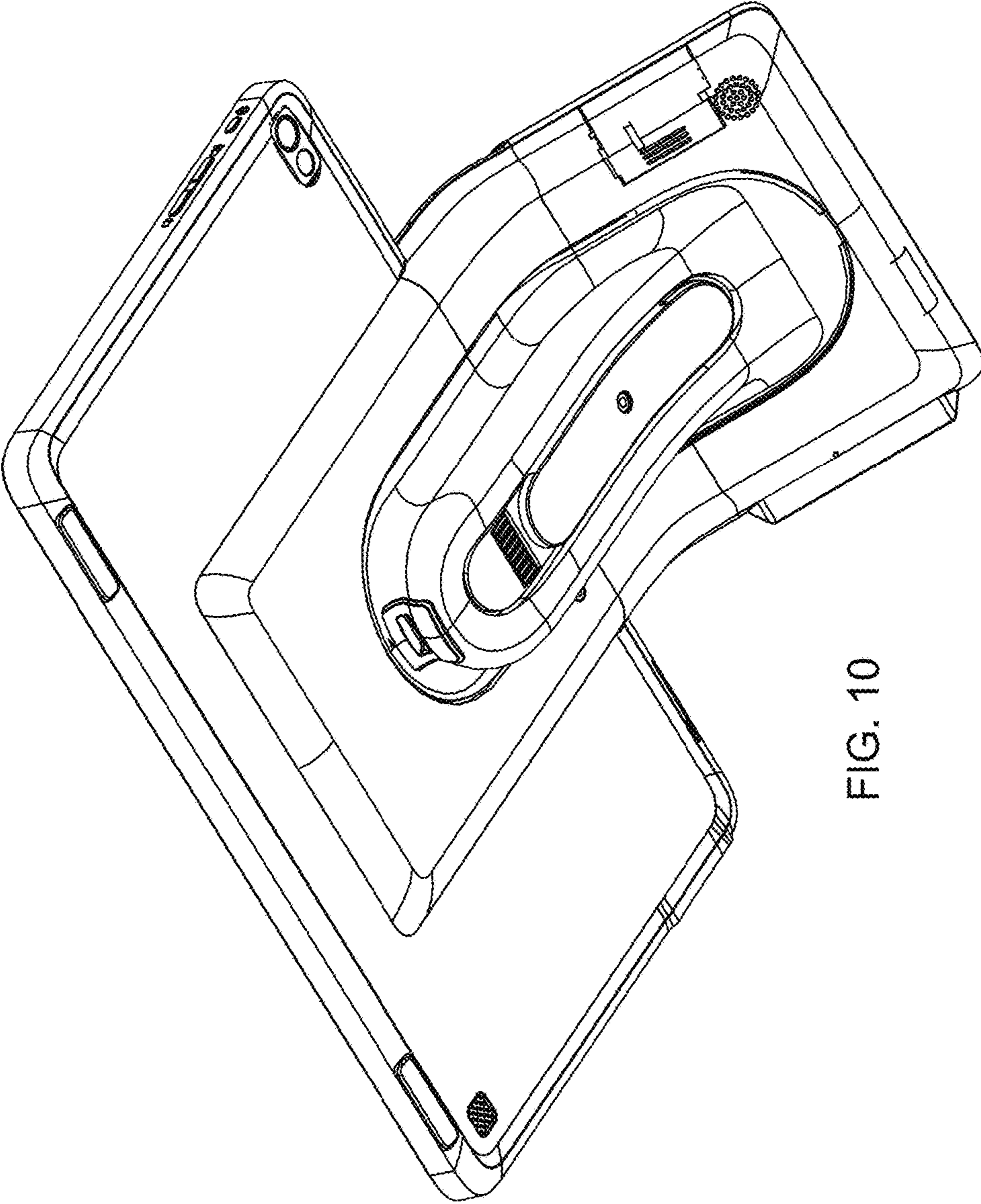


FIG. 10

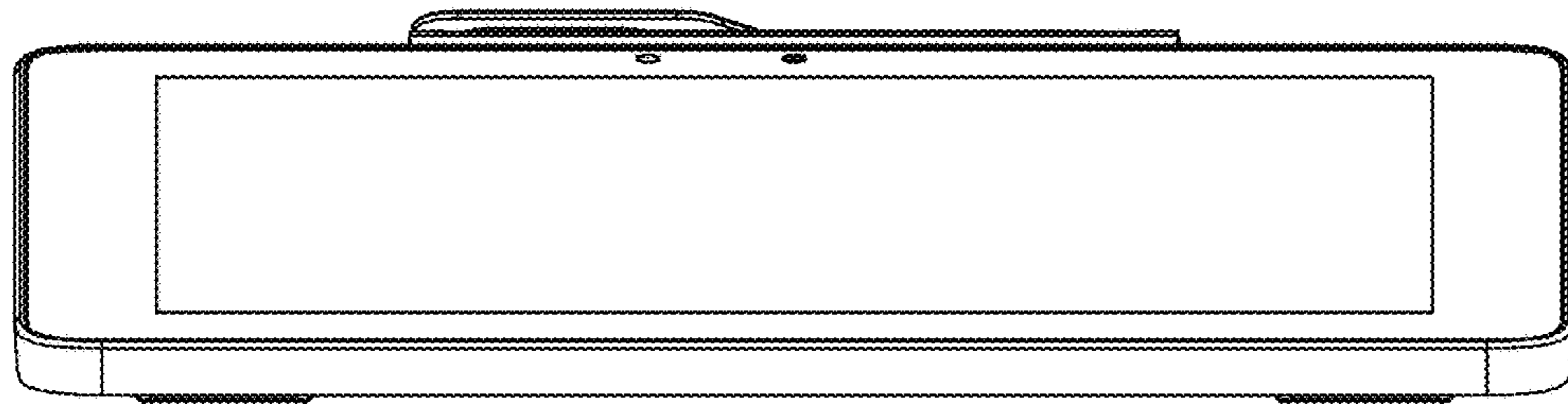


FIG. 11

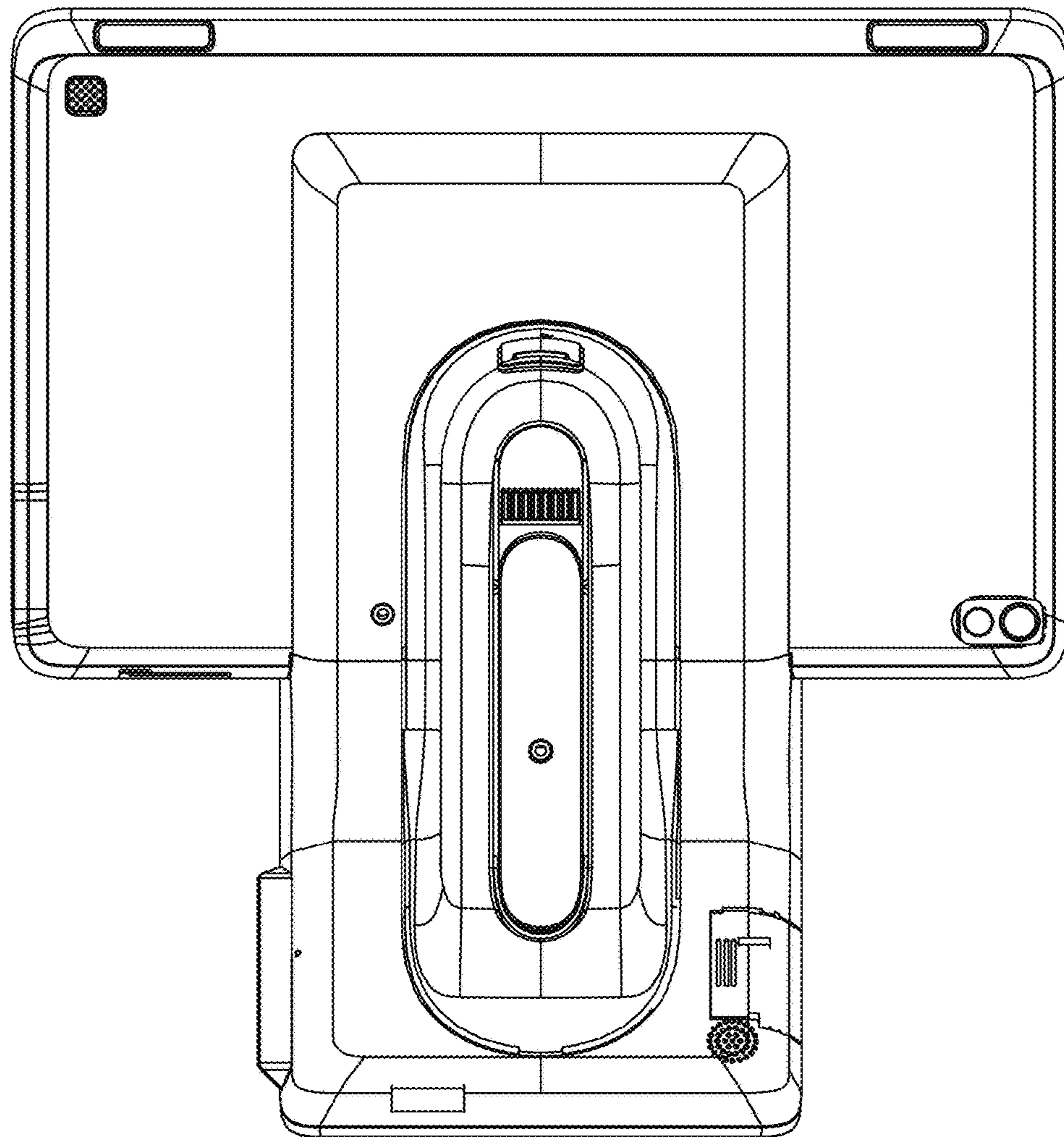


FIG. 12

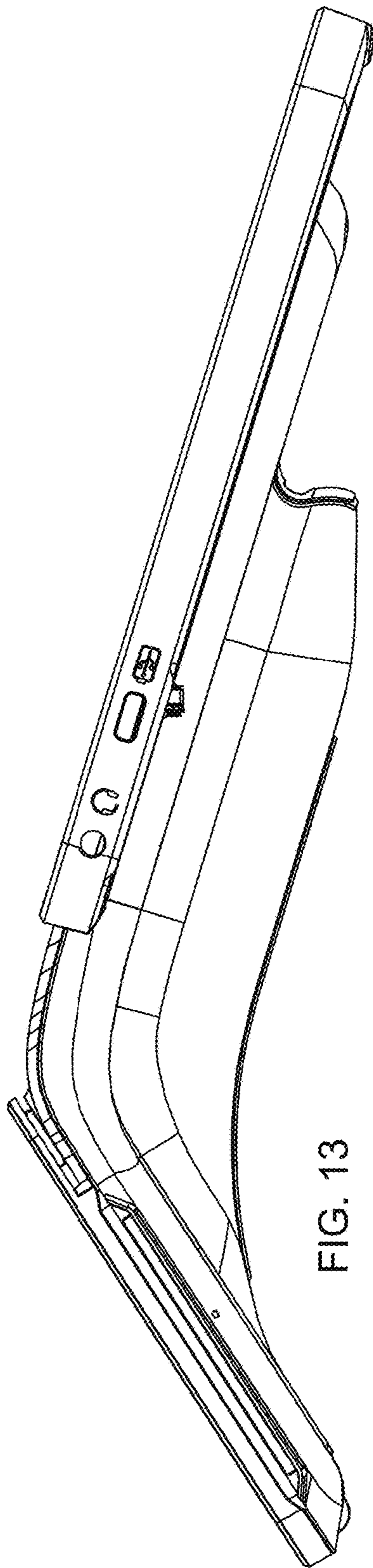


FIG. 13

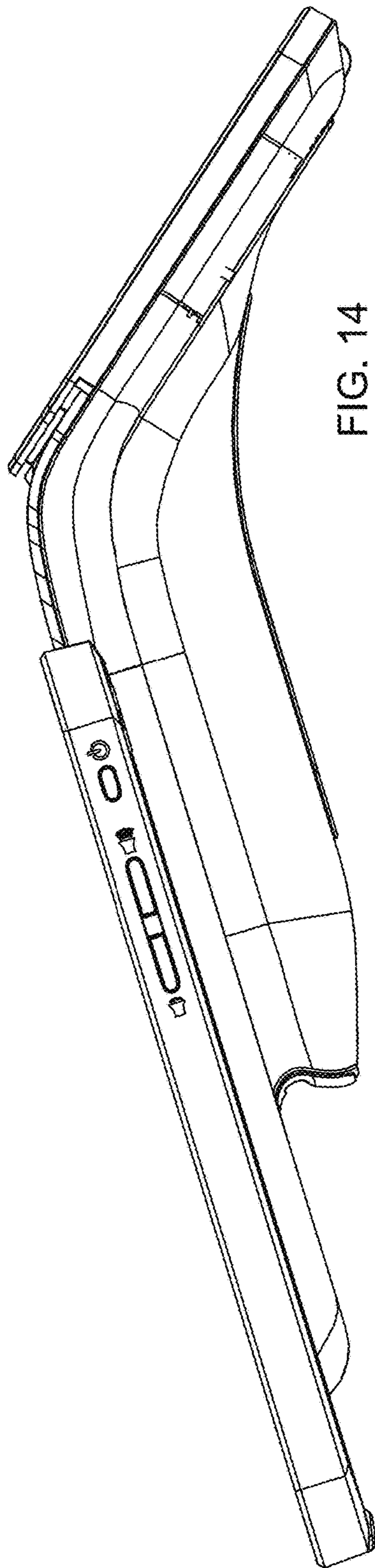


FIG. 14

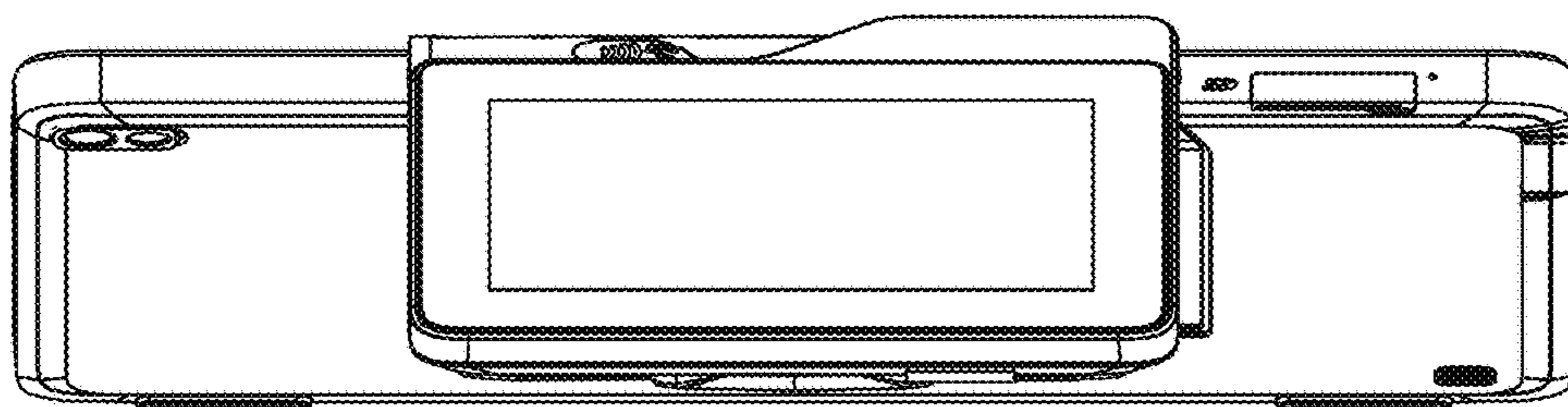
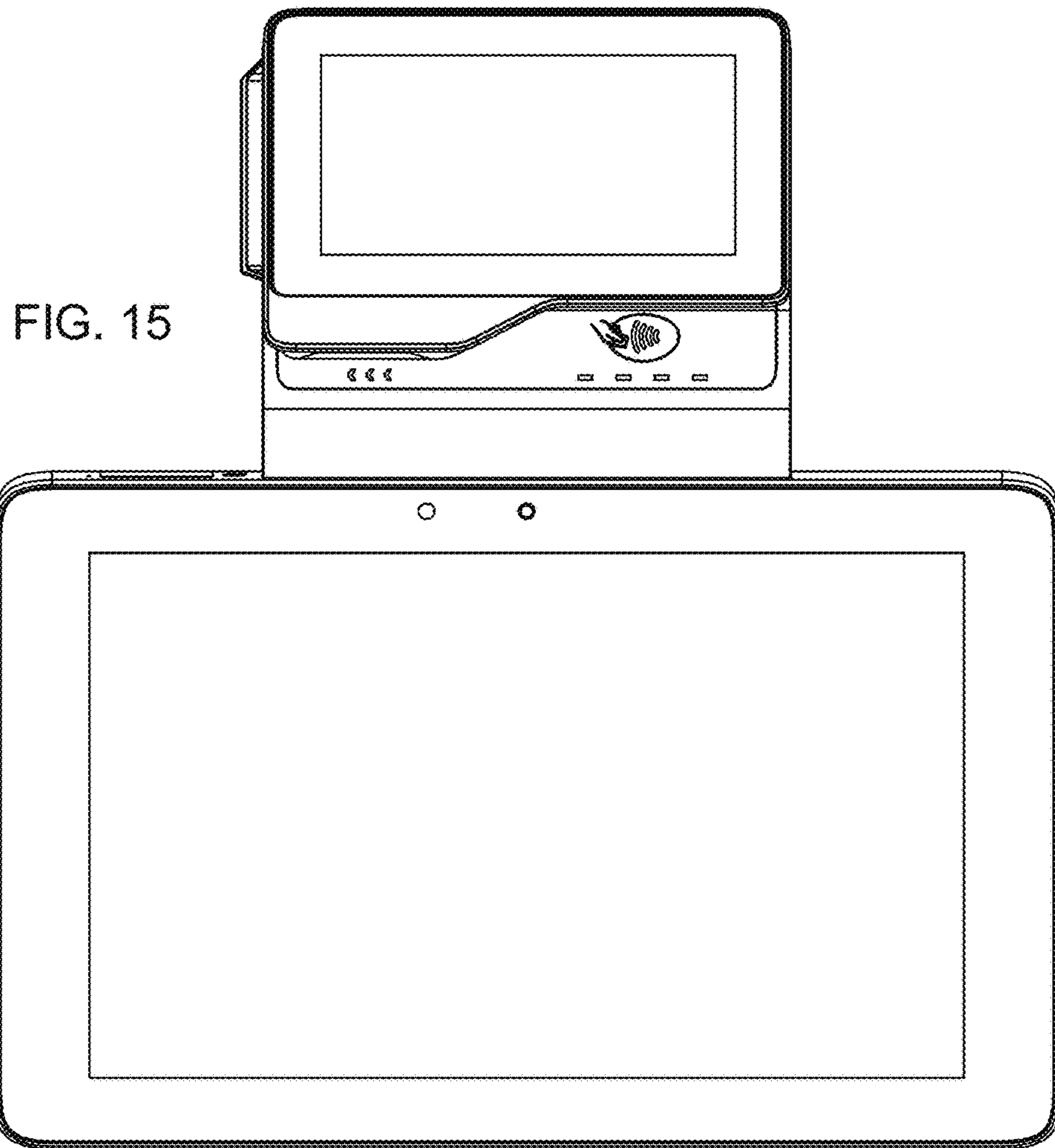


FIG. 16

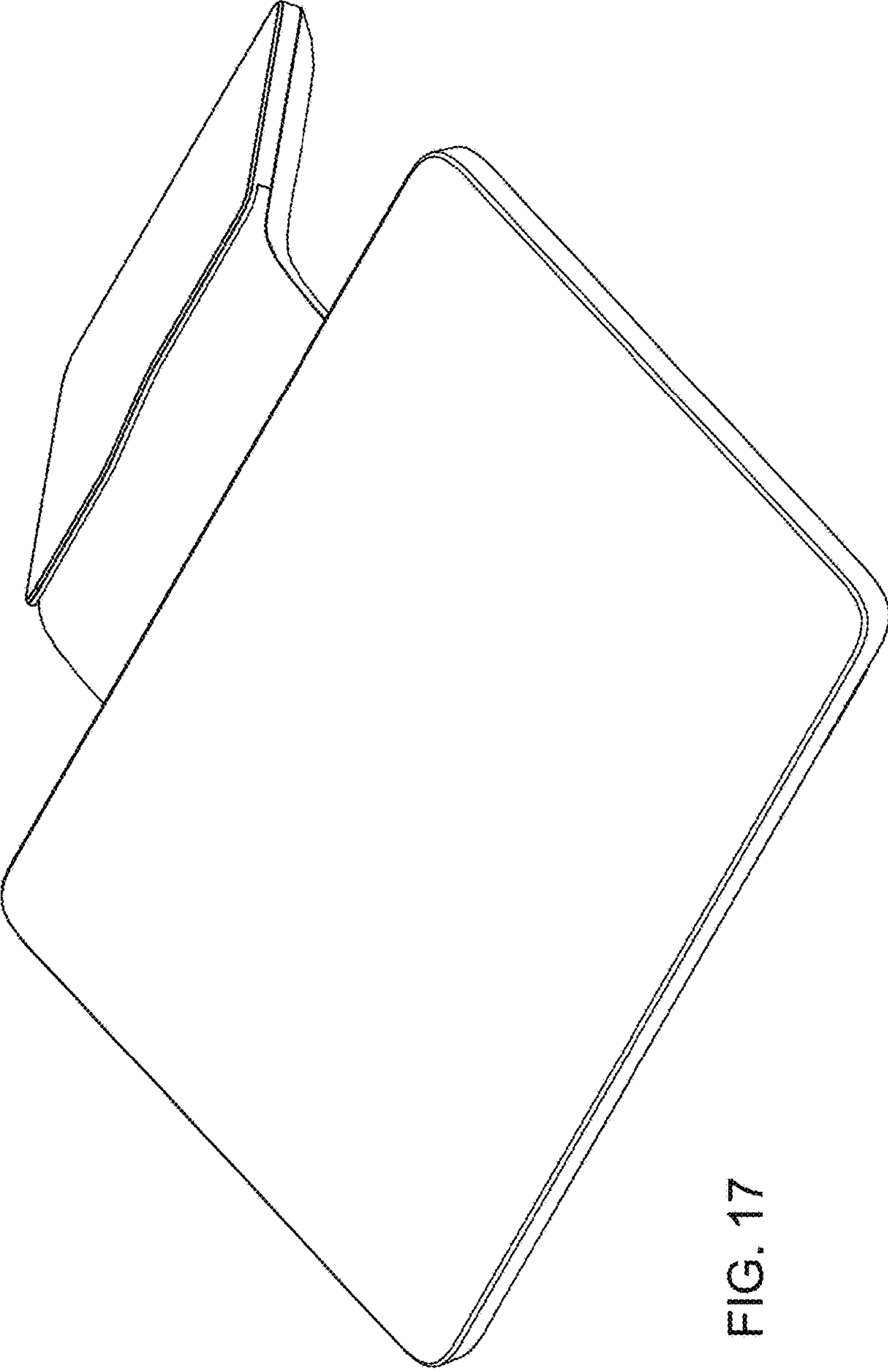


FIG. 17

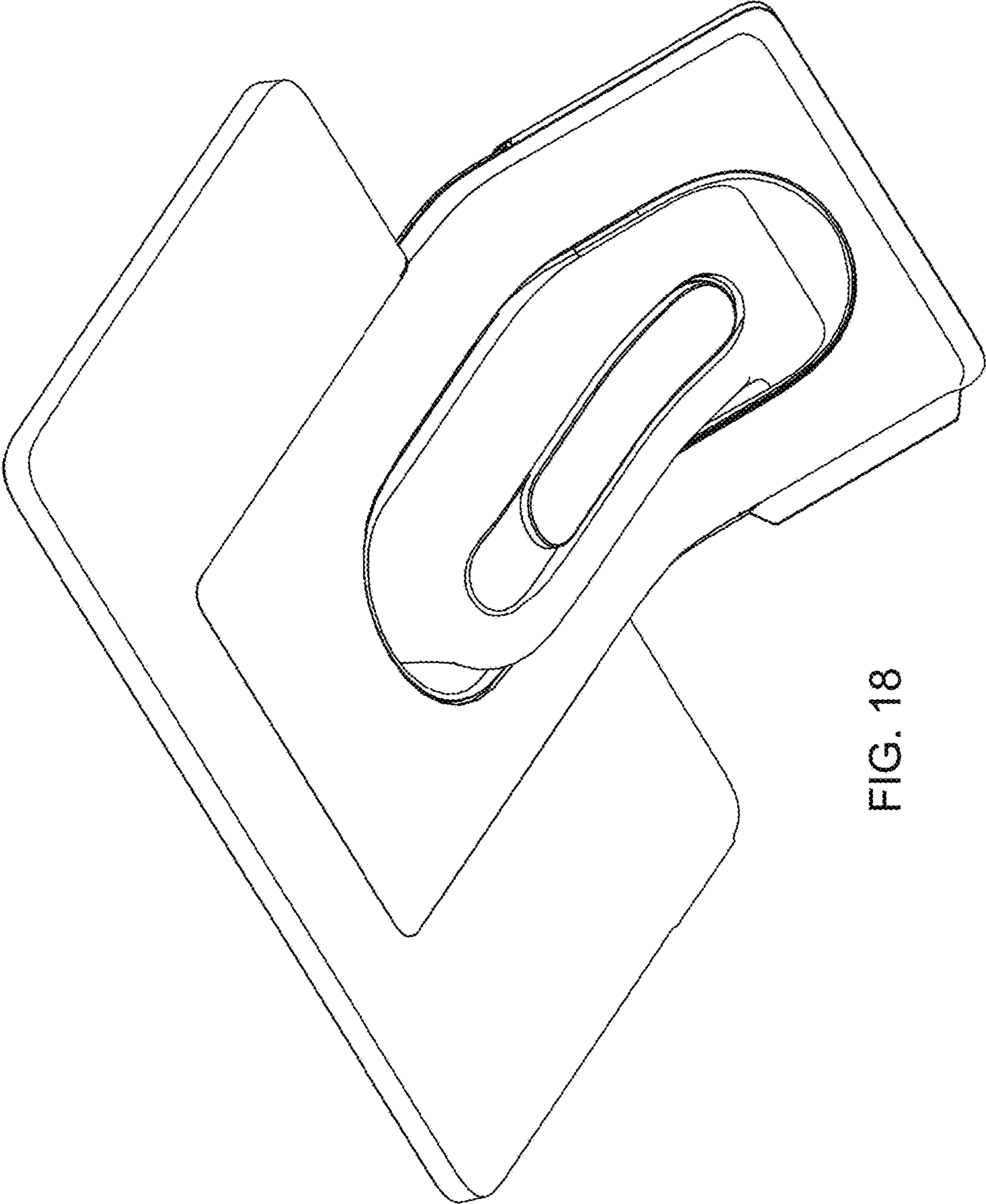


FIG. 18



FIG. 19

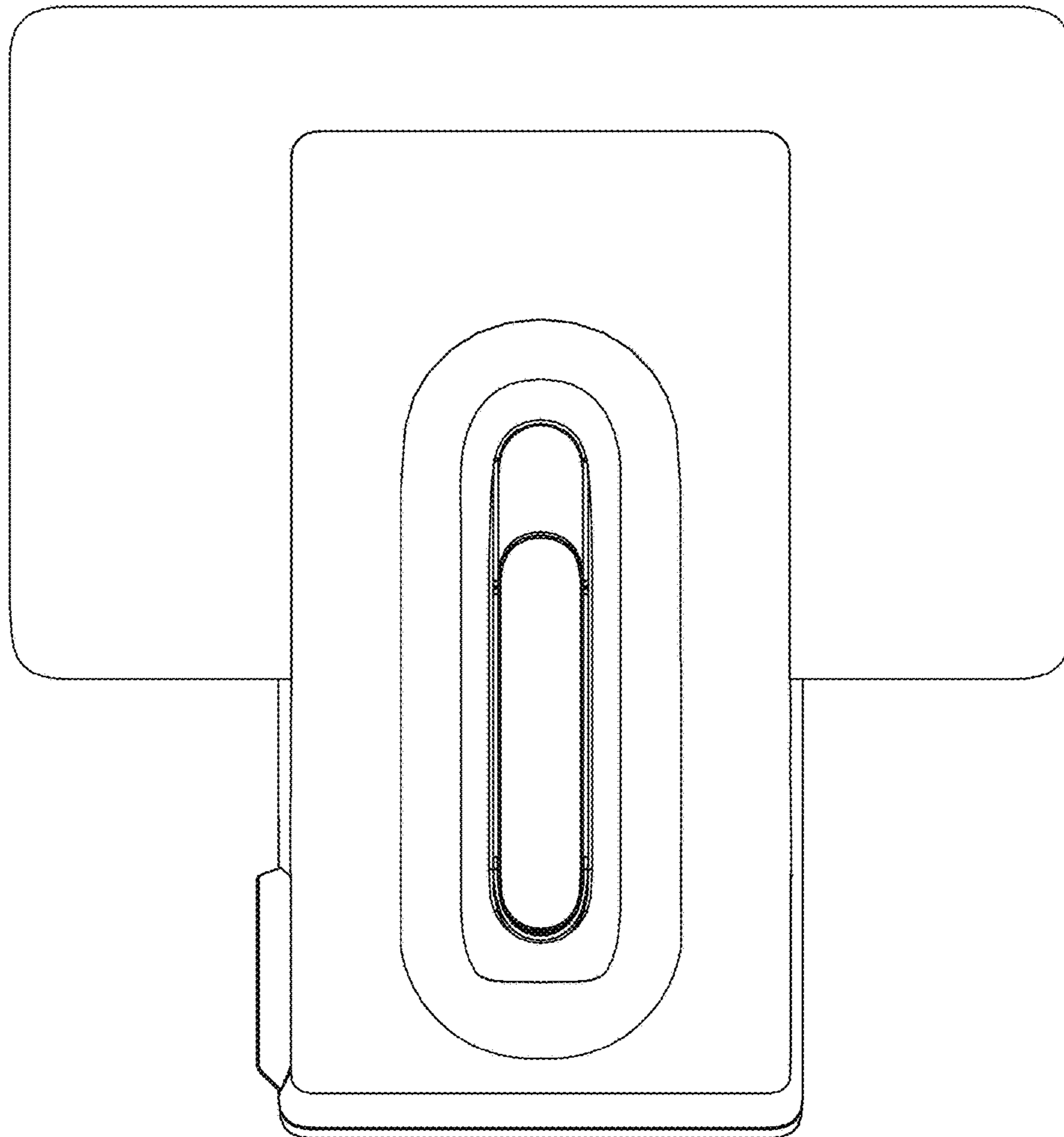


FIG. 20

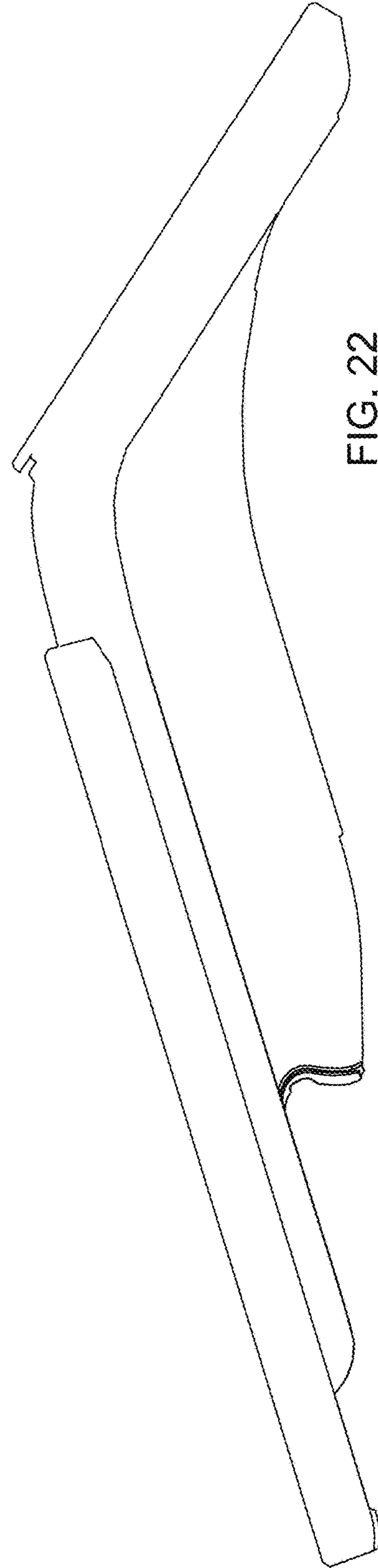
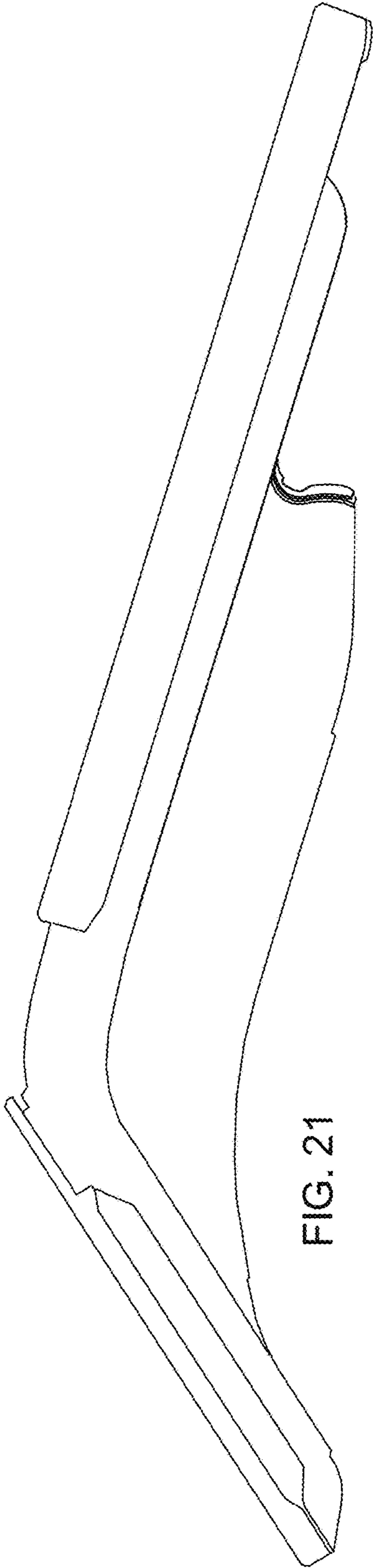




FIG. 23

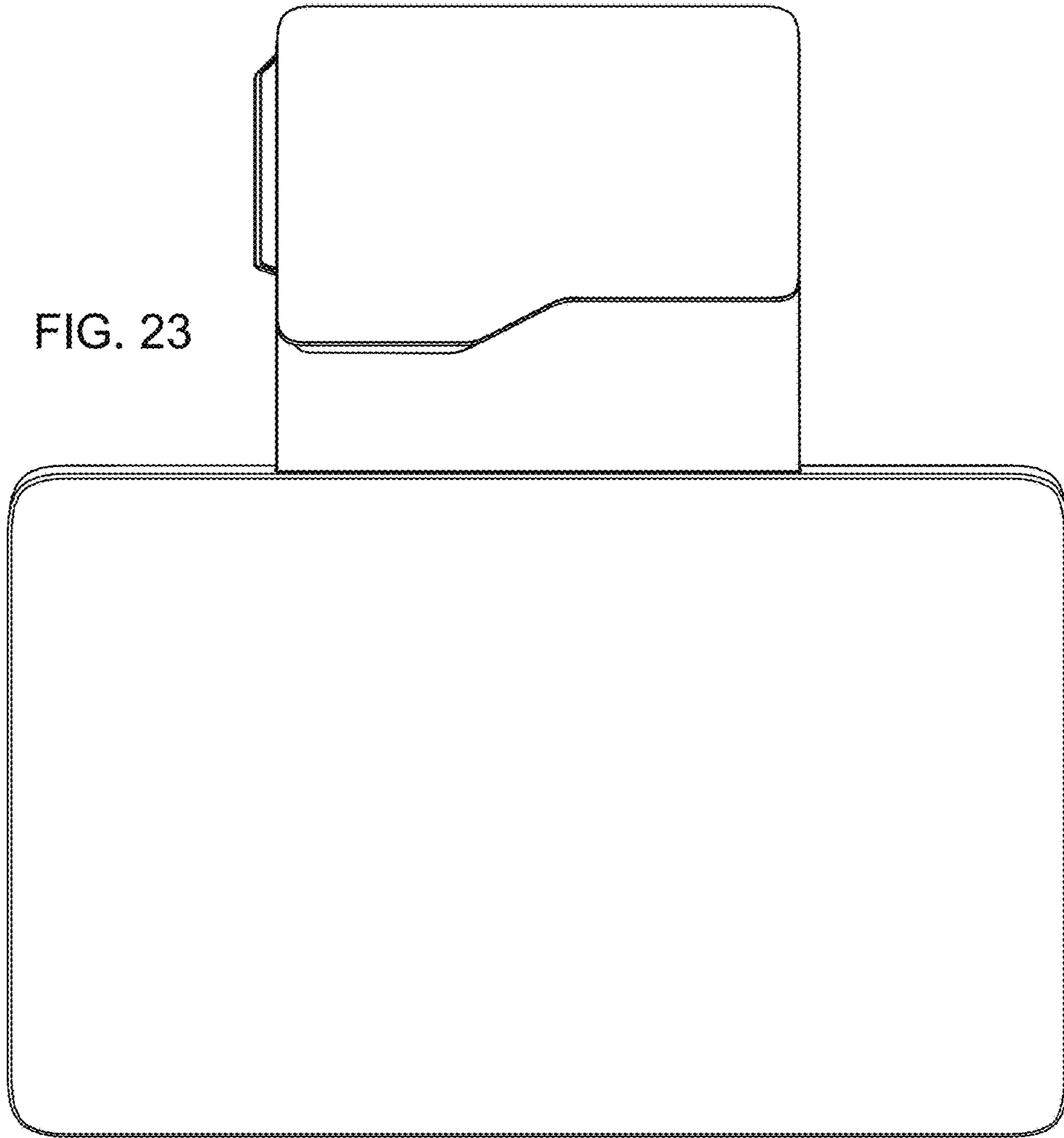


FIG. 24

