



US00D814558S

(12) **United States Design Patent** (10) **Patent No.:** **US D814,558 S**
Rognlien et al. (45) **Date of Patent:** **** Apr. 3, 2018**

(54) **GUITAR FRET CLEANING GUARD**

FOREIGN PATENT DOCUMENTS

(71) Applicant: **MUSIC NOMAD, LLC**, Sonoma, CA (US)

CN 201330032184 * 1/2013

(72) Inventors: **Rand Rognlien**, Sonoma, CA (US);
Pieter Schouten, Berkley, CA (US)

OTHER PUBLICATIONS

(73) Assignee: **Music Nomad, LLC**, Sonoma, CA (US)

Amazon, Andoer Fretboard Protector Guards, first available Jun. 16, 2014, [online], [site visited on Jan. 2, 2018]. Available from Internet, URL: <<https://www.amazon.com/Andoer-Stainless-Fretboard-Protector-Fingerboard/dp/B00L0X8ATE>> (Year: 2014).*
Amazon, Angled Icing Spatula, first available May 11, 2012, [online], [site visited on Jan. 2, 2018]. Available from Internet, URL: <https://www.amazon.com/Wilton-Angled-Spatula-13-Inch-409-7716/dp/B00F0A6FYU/ref=sr_1_36?ie=UTF8&gid=1514927612&sr=8-36&keywords=PALETTE+KNIFE> (Year: 2012).*

(**) Term: **15 Years**

(21) Appl. No.: **29/580,431**

(22) Filed: **Oct. 10, 2016**

(51) **LOC (11) Cl.** **17-03**

* cited by examiner

(52) **U.S. Cl.**

USPC **D17/20**; D8/14

(58) **Field of Classification Search**

USPC D17/14, 20, 21, 99; D8/107, 303, 307, D8/DIG. 7, DIG. 4, 98, 105, 88, 499, 14; D19/108-110, 199; D28/7, 76, 77; D7/693

CPC B08B 1/001; B08B 1/005; B08B 9/087; B08B 3/12; B08B 6/00; G10D 3/06; G10D 3/12; A47L 13/12; A46B 5/00

See application file for complete search history.

Primary Examiner — Sheryl Lane

Assistant Examiner — Samantha N Wood

(74) *Attorney, Agent, or Firm* — Bond Schoeneck & King, PLLC; George McGuire

(57) **CLAIM**

The ornamental design for a guitar fret cleaning guard, as shown and described.

(56) **References Cited**

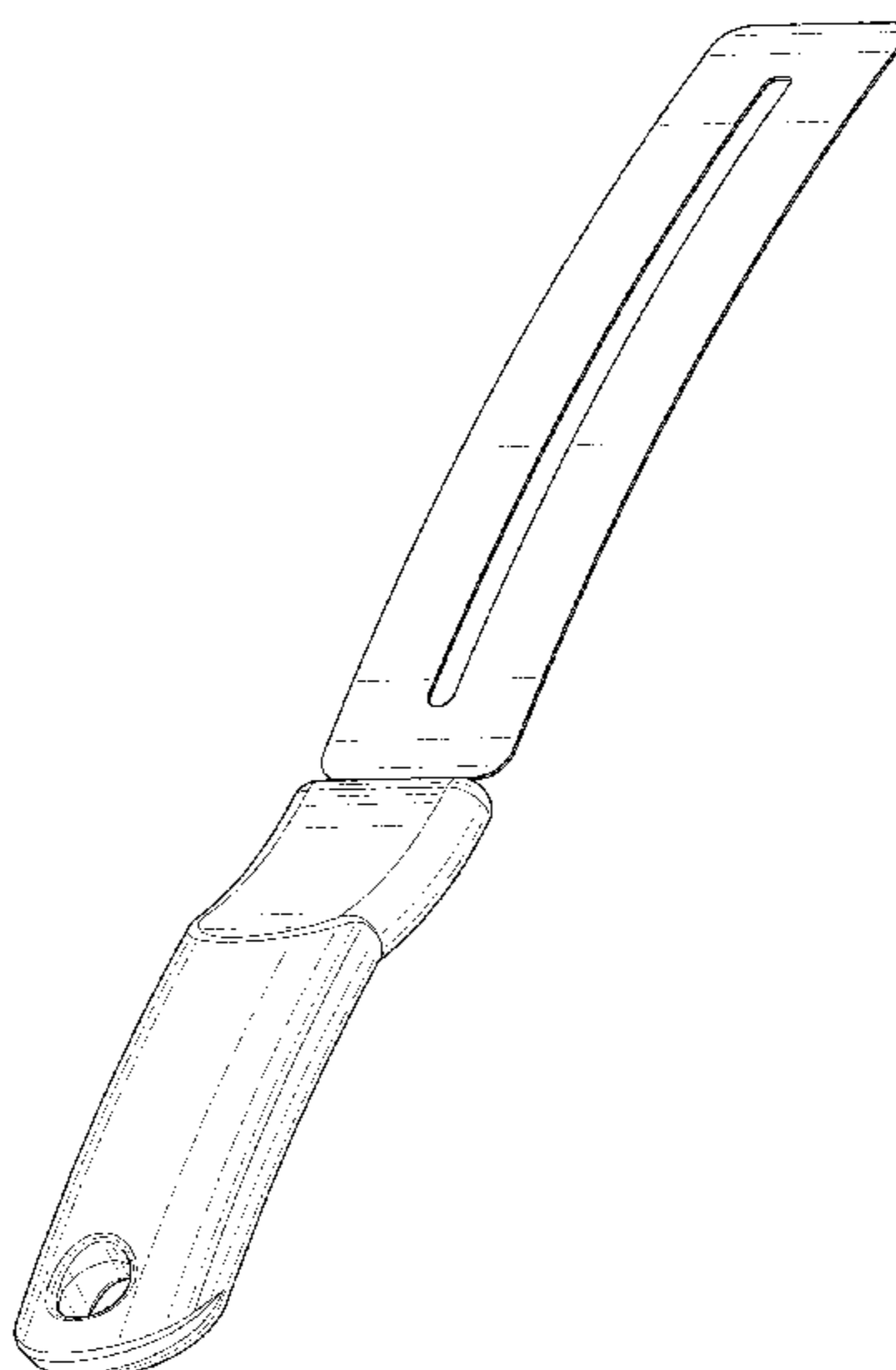
U.S. PATENT DOCUMENTS

332,657 A * 12/1885 Humphrey A47J 17/02 30/356
D190,067 S * 4/1961 Reedy D28/7
3,176,390 A * 4/1965 Robinson A47J 17/04 30/123.7
D379,497 S * 5/1997 Renfro D8/307
D525,510 S * 7/2006 Holby D8/107
D732,734 S * 6/2015 Poletto D28/7
D755,587 S * 5/2016 Melia A47J 43/14 D7/693
D757,505 S * 5/2016 Wegwerth D7/693

DESCRIPTION

FIG. 1 is a perspective view of the guitar fret cleaning guard; FIG. 2 is a top plan view thereof; FIG. 3 is a bottom plan view thereof; FIG. 4 is a first side elevation view thereof; FIG. 5 is a second side elevation view thereof; FIG. 6 is front elevation view thereof; and, FIG. 7 is a rear elevation view thereof.

1 Claim, 4 Drawing Sheets



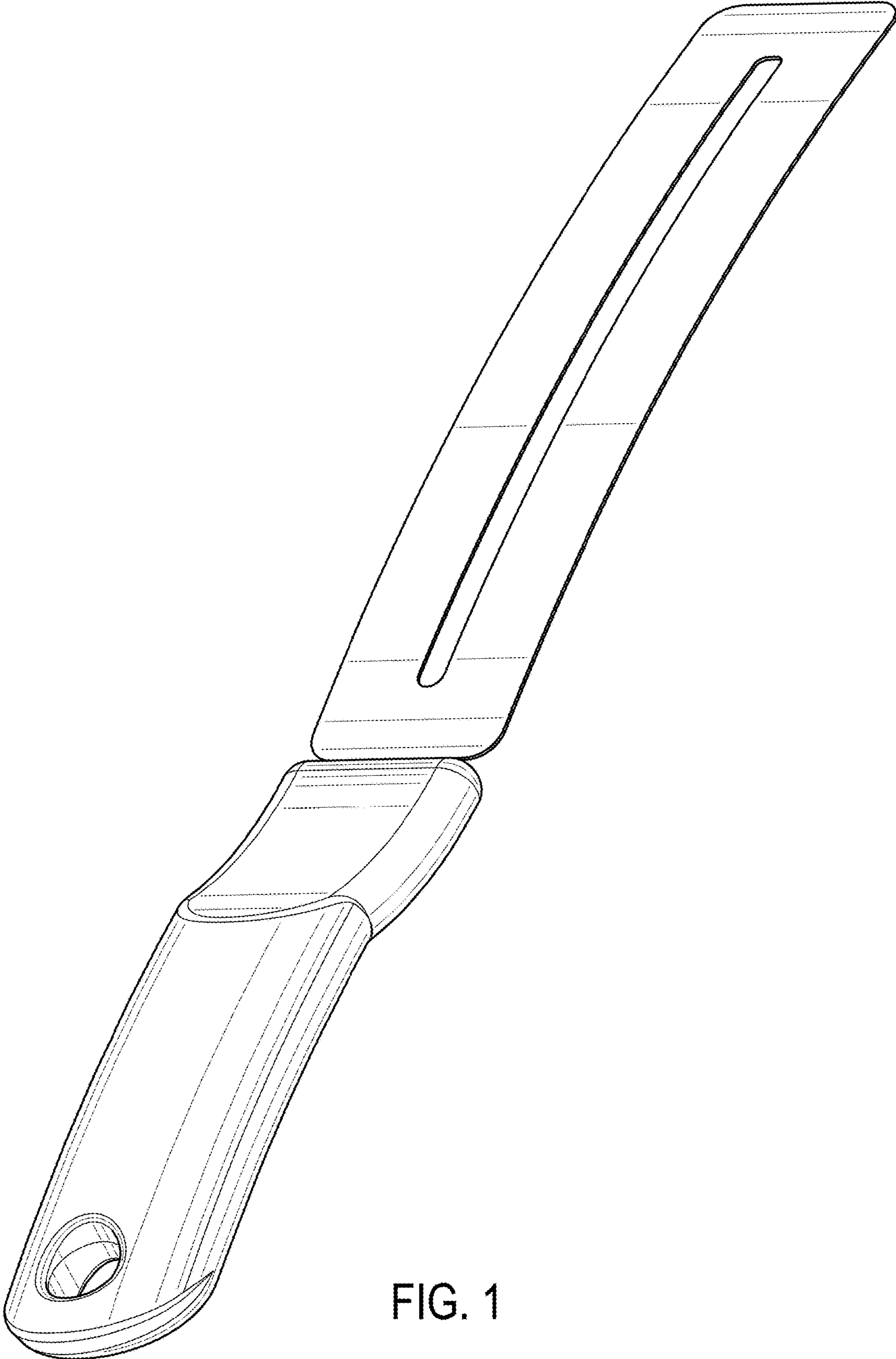


FIG. 1

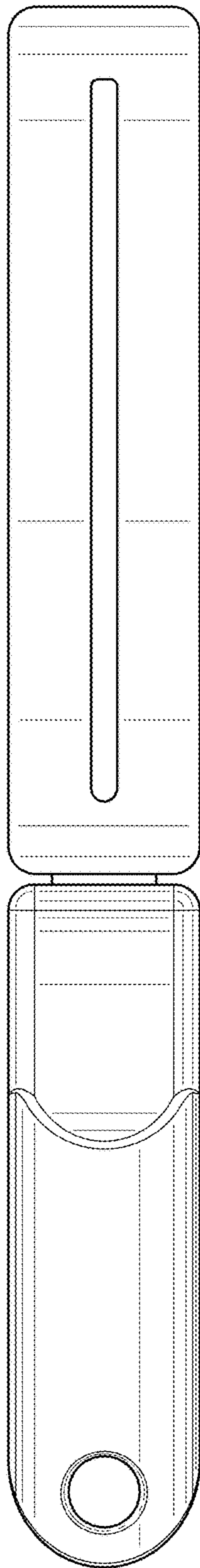


FIG. 2

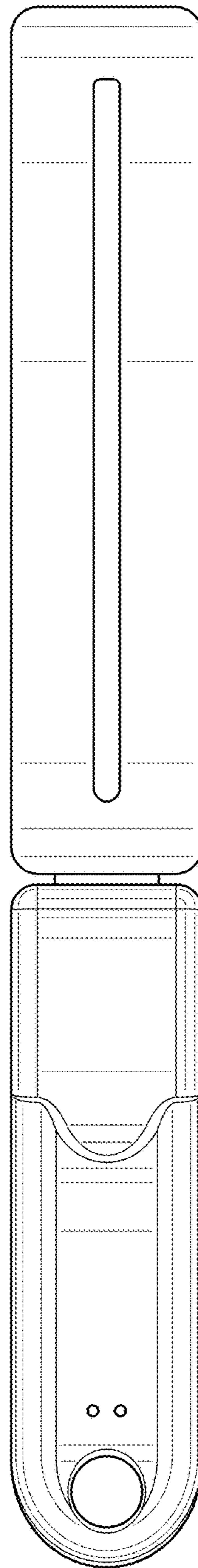


FIG. 3

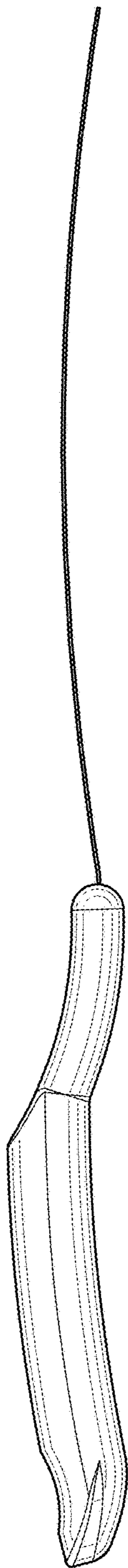


FIG. 4

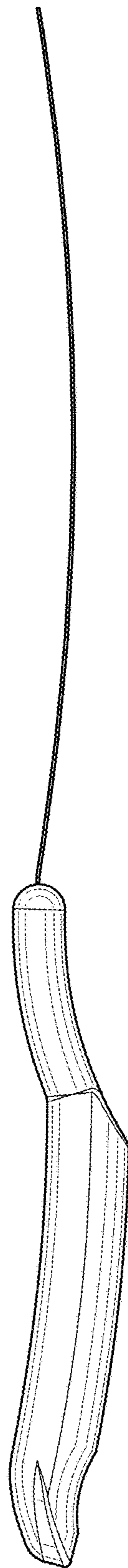


FIG. 5

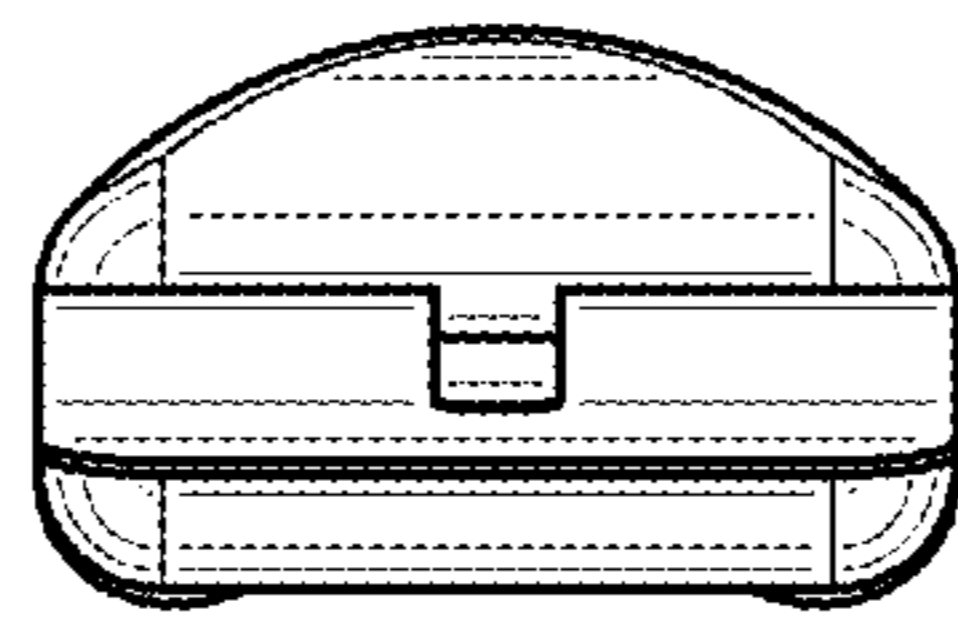


FIG. 6

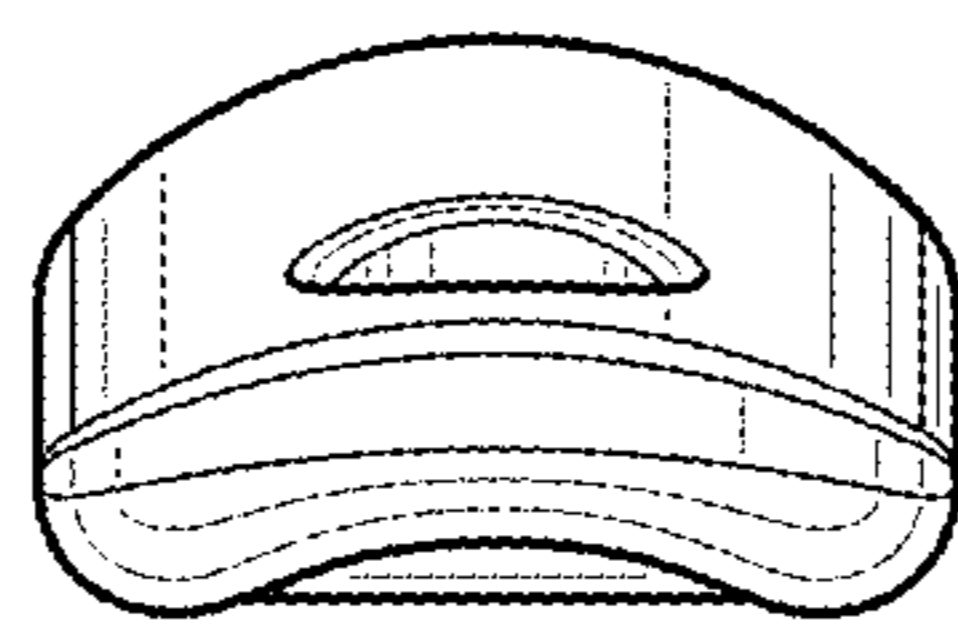


FIG. 7