



US00D814556S

(12) **United States Design Patent**
Liu et al.

(10) **Patent No.:** **US D814,556 S**
(45) **Date of Patent:** **** Apr. 3, 2018**

(54) **UPRIGHT PIANO**

(71) Applicant: **YITAN INFORMATION TECHNOLOGY (SHANGHAI) CO., LTD.**, Shanghai (CN)

(72) Inventors: **Xiaolu Liu**, Shanghai (CN); **Kevin Patrick Burke**, Shanghai (CN)

(73) Assignee: **SUNLAND INFORMATION TECHNOLOGY CO., LTD.**, Shanghai (CN)

(**) Term: **15 Years**

(21) Appl. No.: **29/568,483**

(22) Filed: **Jun. 18, 2016**

(30) **Foreign Application Priority Data**

Nov. 13, 2015 (CN) 2015 3 0453862
Nov. 13, 2015 (CN) 2015 3 0453864
Dec. 21, 2015 (CN) 2015 3 0548251

(51) **LOC (11) Cl.** **17-01**

(52) **U.S. Cl.**
USPC **D17/7**

(58) **Field of Classification Search**
USPC D17/1, 2, 7-9; D21/405.409
CPC G10C 3/00
See application file for complete search history.

(56) **References Cited**

U.S. PATENT DOCUMENTS

D48,728 S * 3/1916 Kavanagh et al. D17/7
D49,804 S * 10/1916 Lane D17/7

D70,427 S * 6/1926 Hurst D17/7
D112,353 S * 11/1938 Zack D17/7
D160,106 S * 9/1950 Millington et al. D17/7
D324,531 S * 3/1992 Lee D17/7
D562,877 S * 2/2008 Ikegawa D17/7
D597,587 S * 8/2009 Bailey D17/7
D718,375 S * 11/2014 Okamura D17/7
D774,127 S * 12/2016 Mitsuishi D17/7

* cited by examiner

Primary Examiner — John Windmuller

Assistant Examiner — Benjamin M Weeks

(74) *Attorney, Agent, or Firm* — Metis IP LLC

(57) **CLAIM**

The ornamental design for an upright piano or a portion thereof, as shown and described.

DESCRIPTION

FIG. 1 is a perspective view of a upright piano showing our new design;

FIG. 2 is a front view thereof;

FIG. 3 is a rear view thereof;

FIG. 4 is a right view thereof;

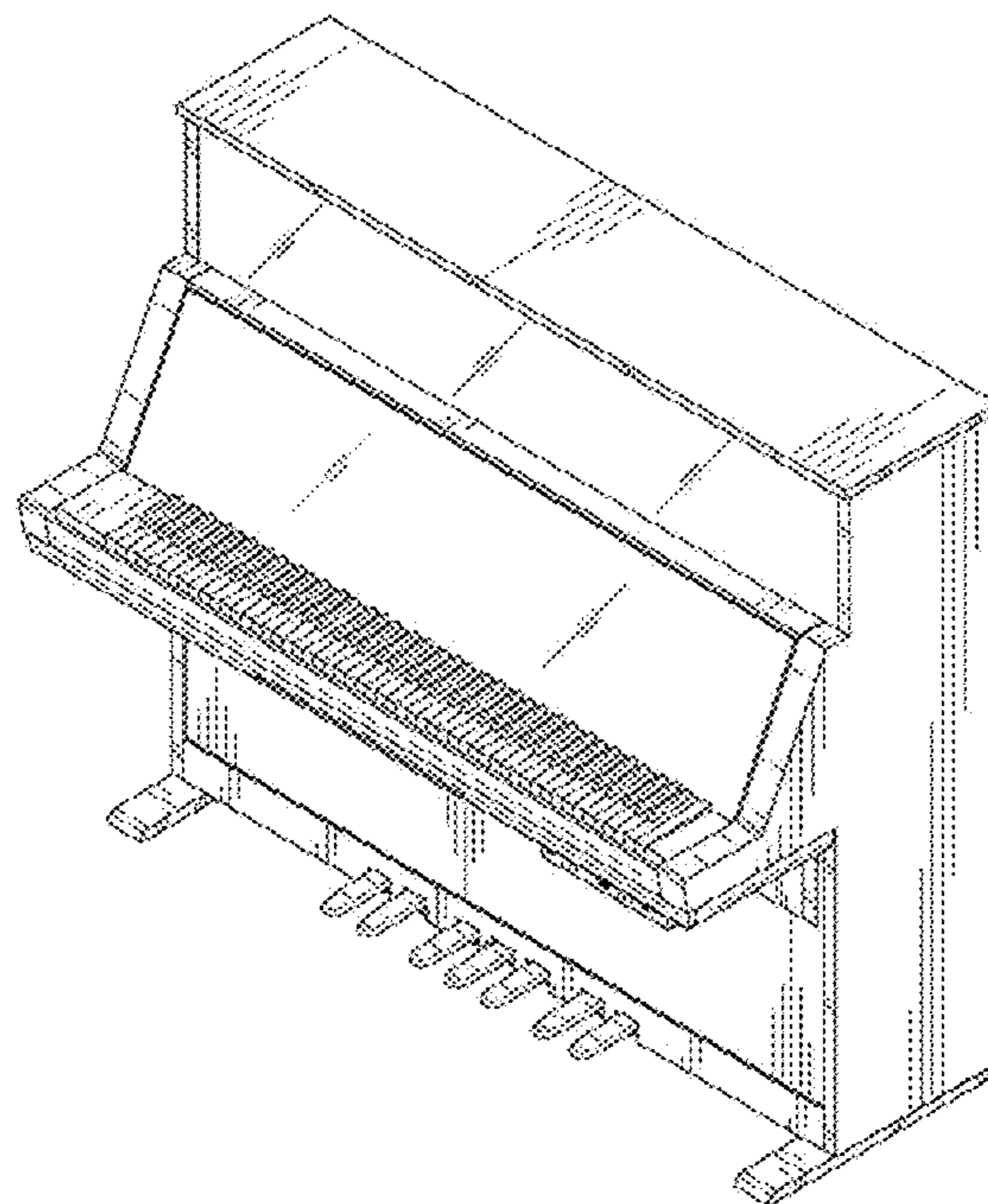
FIG. 5 is a left view thereof;

FIG. 6 is a top view thereof; and,

FIG. 7 is a bottom view thereof.

The broken lines and dash-dot lines within the Figures are for illustrative purposes only and form no part of the claimed design.

1 Claim, 7 Drawing Sheets



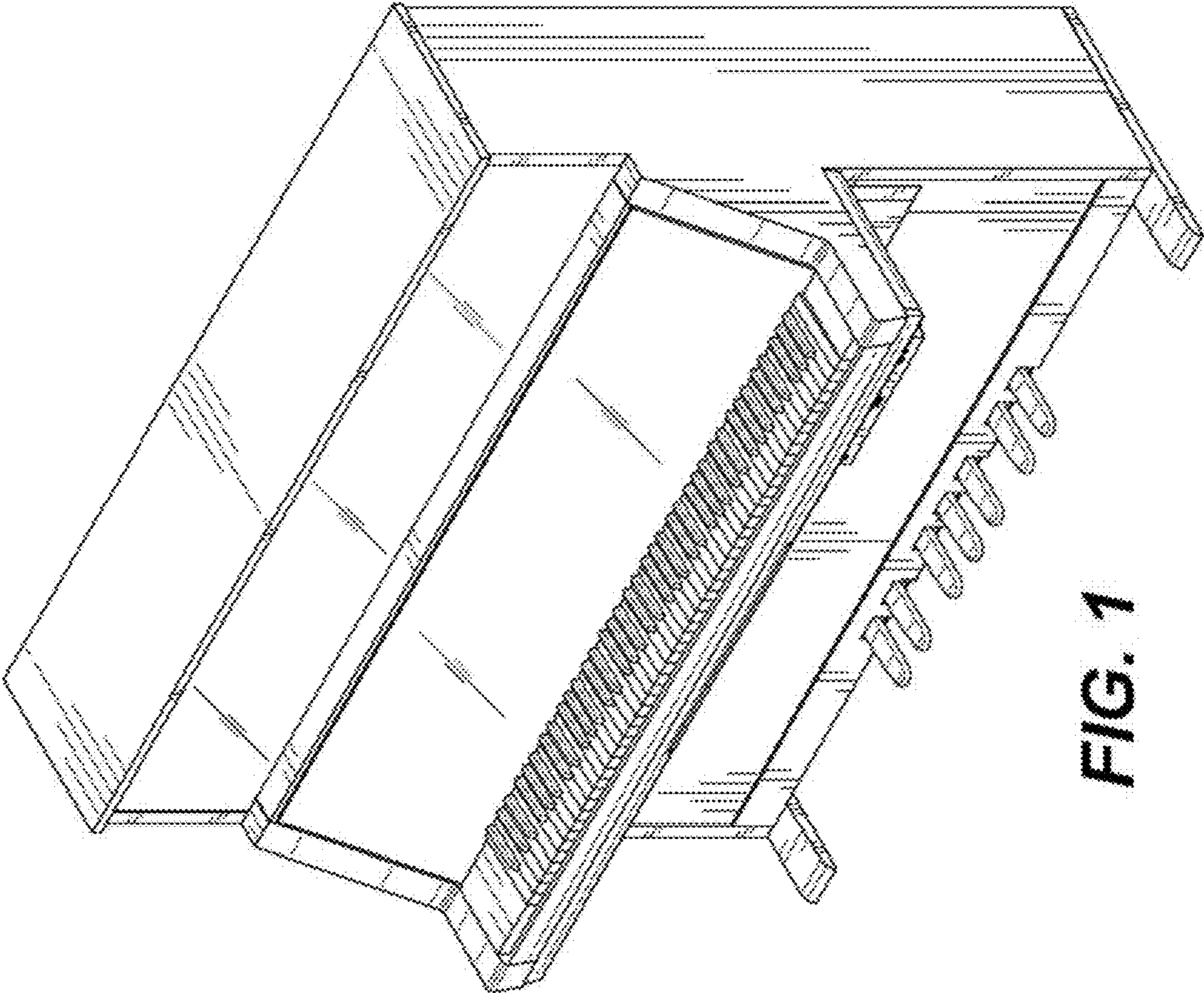


FIG. 1

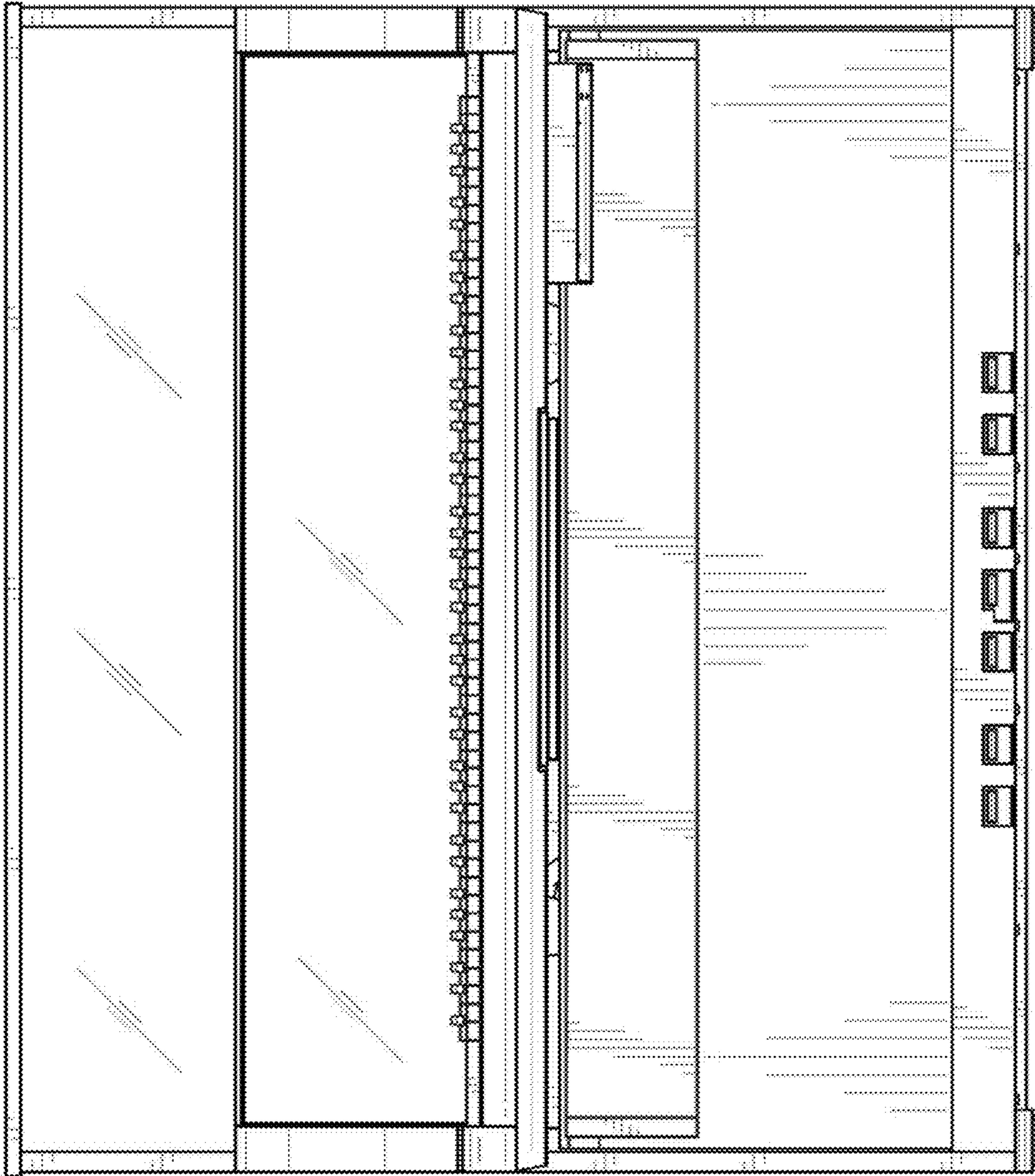


FIG. 2

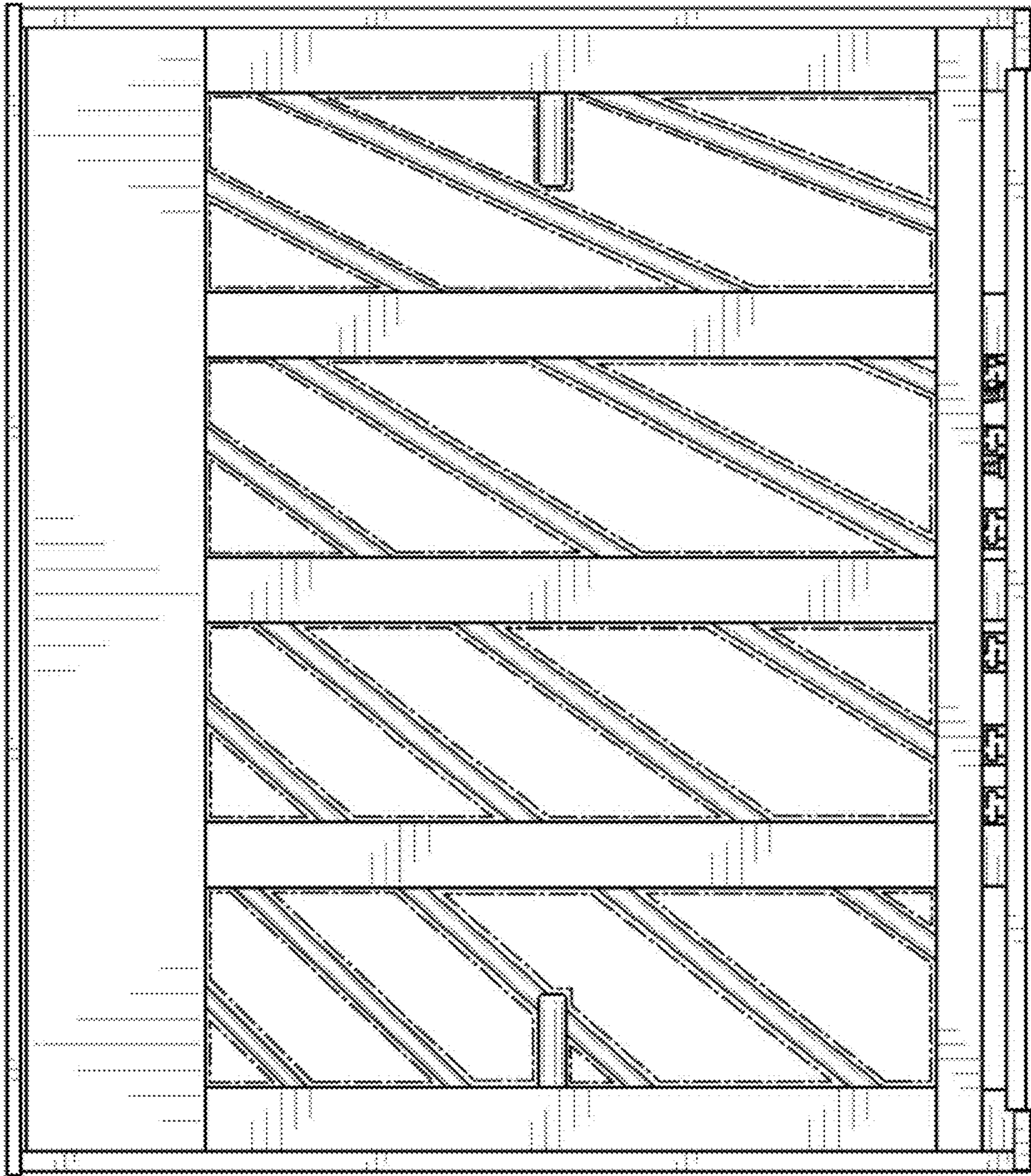


FIG. 3

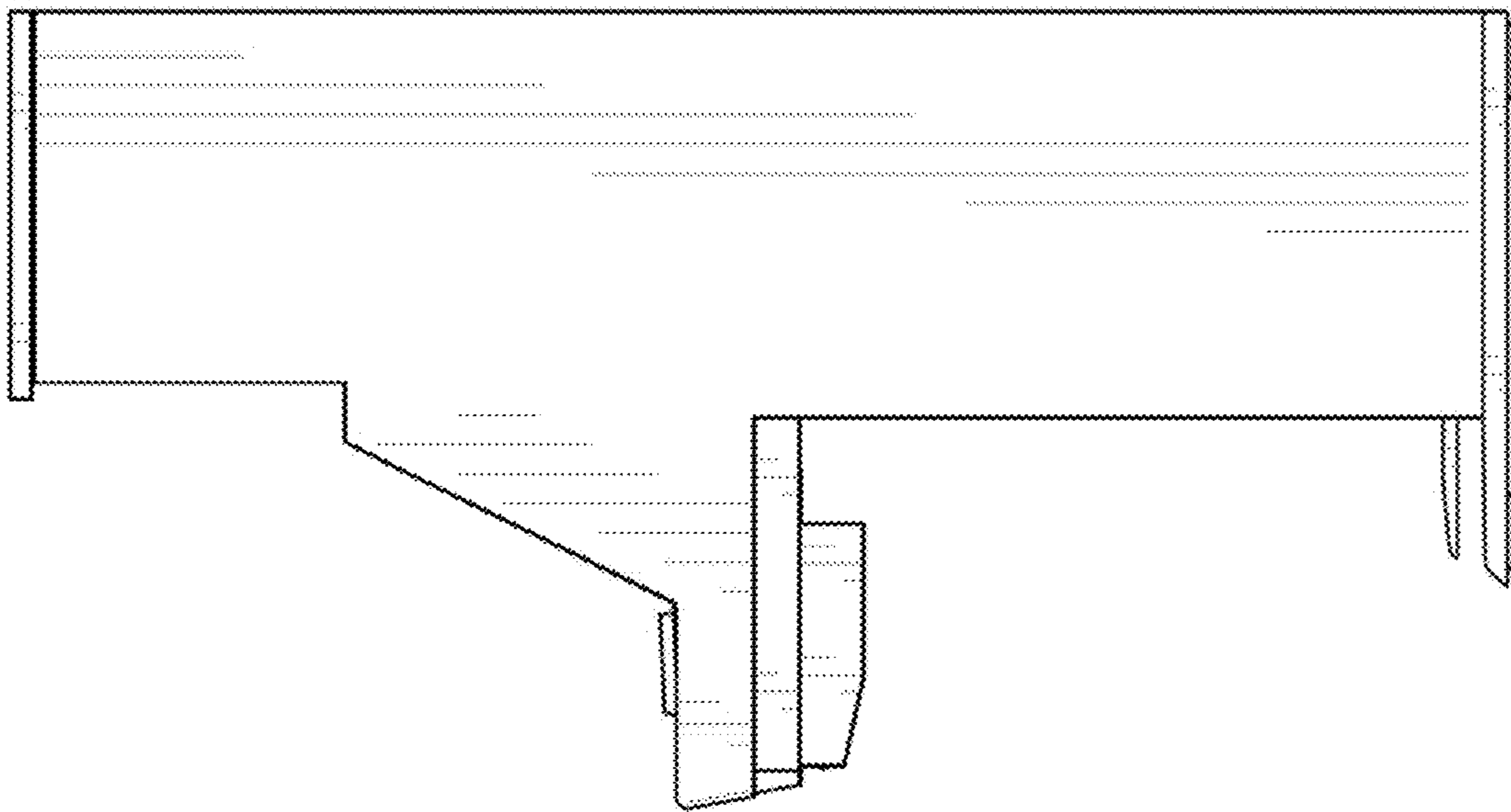


FIG. 4

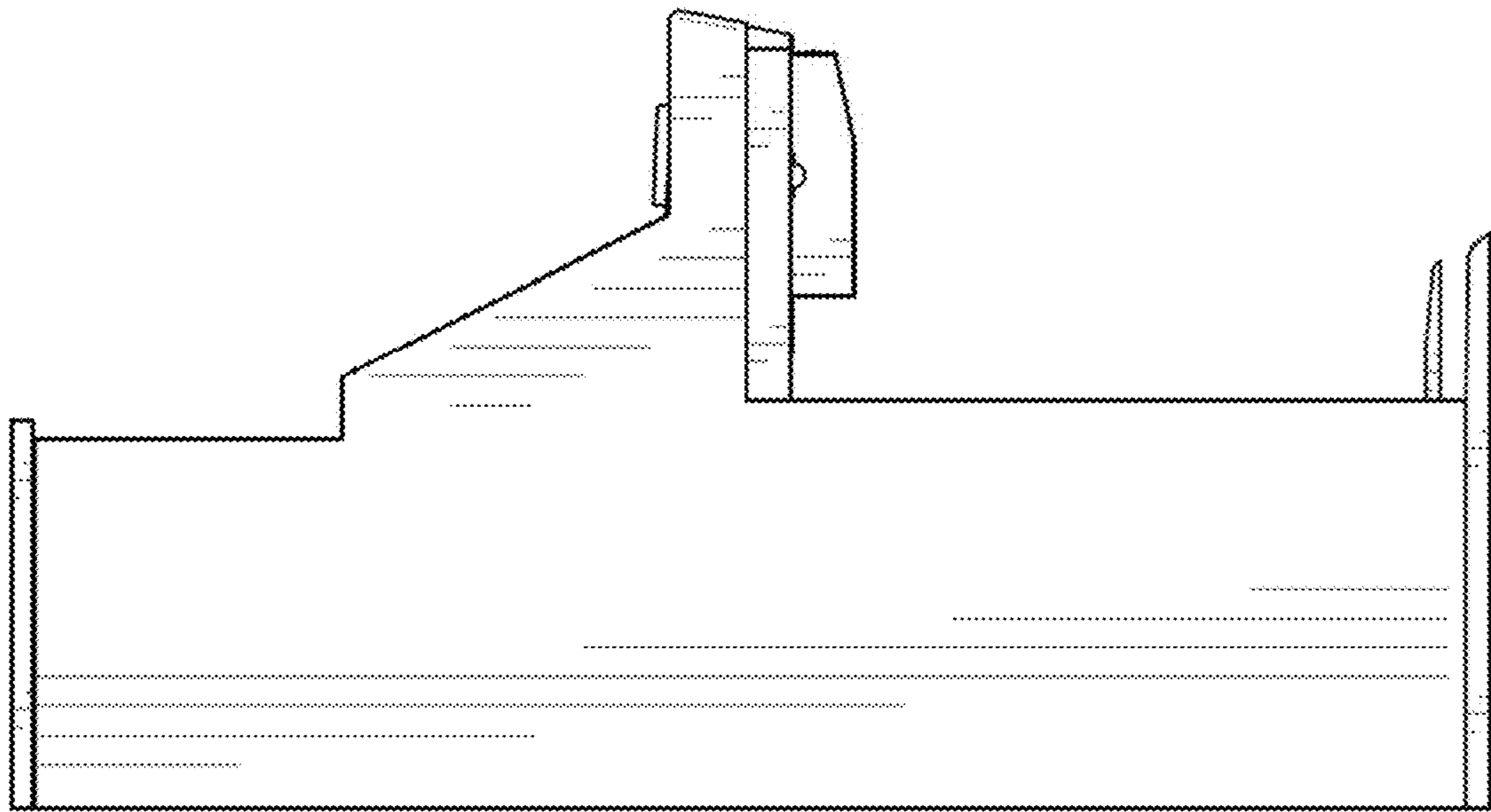


FIG. 5

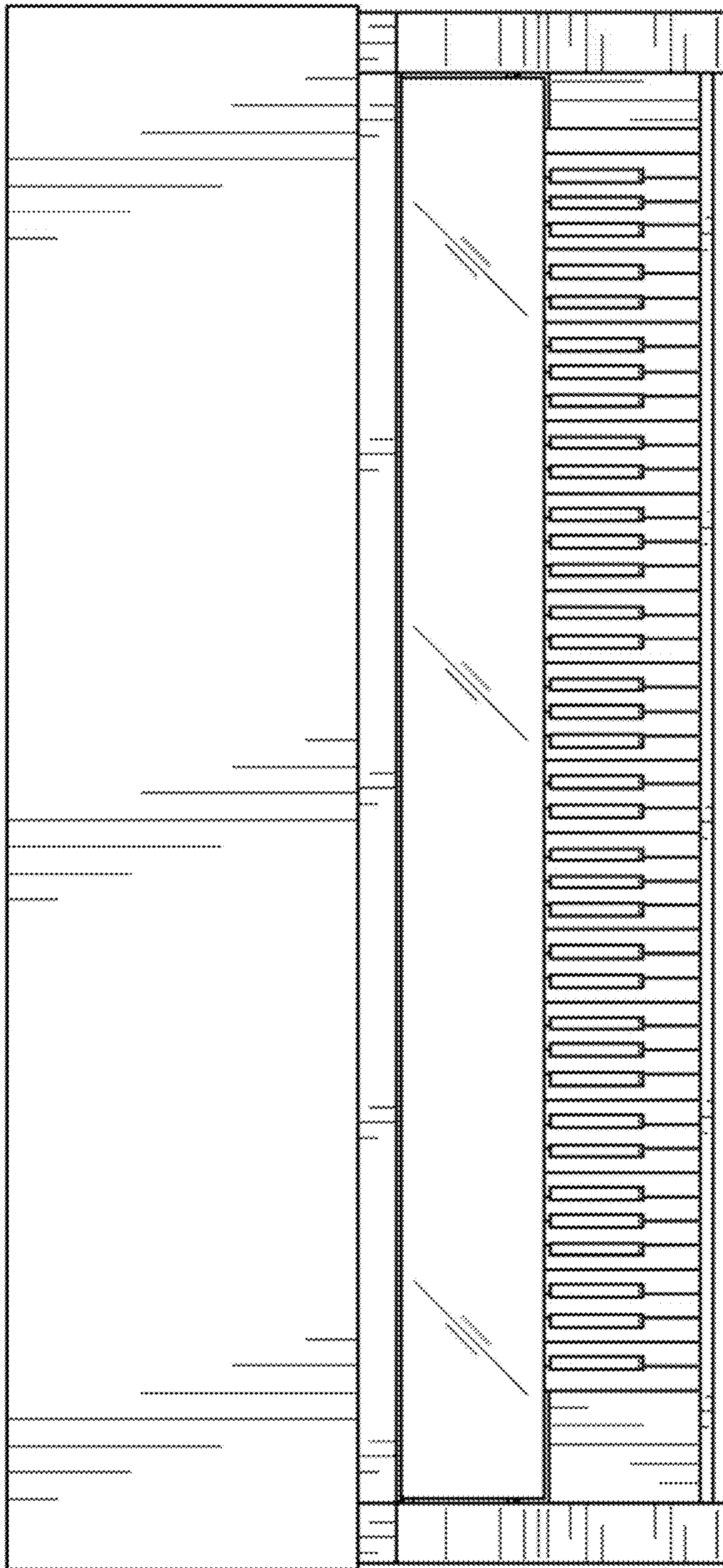


FIG. 6

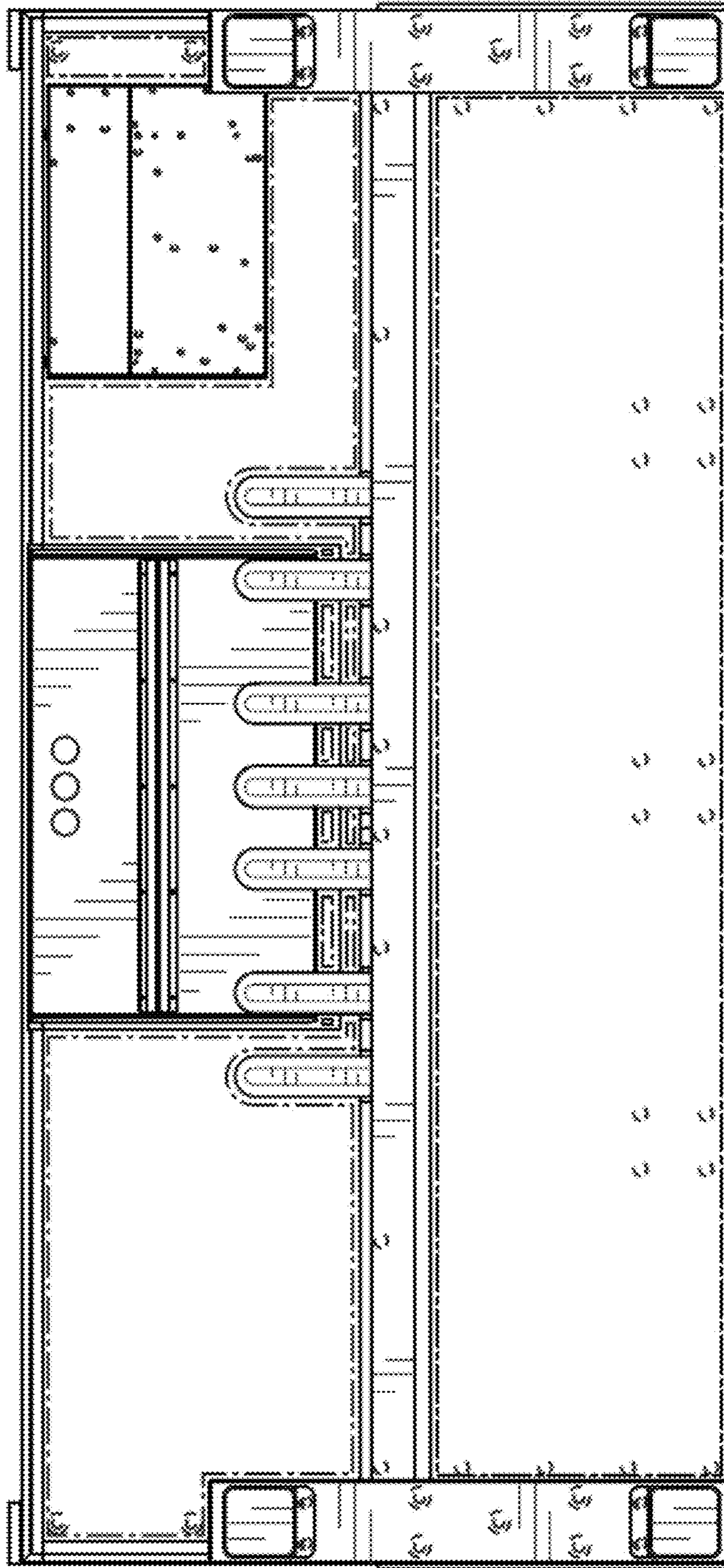


FIG. 7