



US00D814552S

(12) **United States Design Patent**
Cox et al.

(10) **Patent No.:** **US D814,552 S**

(45) **Date of Patent:** **** Apr. 3, 2018**

(54) **COMBINED EYEGLASSES AND CAMERA**

OTHER PUBLICATIONS

(71) Applicant: **CAPE EVOLUTION LIMITED**,
Hong Kong (HK)

Smart announced Oct. 2015, [online], [site visited Feb. 18, 2017].
Available from Internet, <URL: <http://www.pivothead.com/>>.*

(72) Inventors: **Christopher David Cox**, Greenwood
Village, CO (US); **Qiang Xu**, Shanghai
(CN); **Ming Zhao**, Shanghai (CN)

Primary Examiner — Eric L Goodman

Assistant Examiner — Sanjeev Paul

(74) *Attorney, Agent, or Firm* — JCIPRNET

(73) Assignee: **CAPE EVOLUTION LIMITED**,
HongKong (HK)

(57) **CLAIM**

The ornamental design for a combined eyeglasses and
camera, as shown and described.

(**) Term: **15 Years**

DESCRIPTION

(21) Appl. No.: **29/535,093**

FIG. 1 is a front perspective view of the combined eye-
glasses and camera of an embodiment of the present inven-
tion;

(22) Filed: **Aug. 3, 2015**

FIG. 2 is a front elevational view of the combined eyeglasses
and camera of the embodiment of FIG. 1;

(51) **LOC (11) Cl.** **16-06**

FIG. 3 is a rear elevational view of the combined eyeglasses
and camera of the embodiment of FIG. 1;

(52) **U.S. Cl.**

USPC **D16/309**

FIG. 4 is a right-side elevational view of the combined
eyeglasses and camera of the embodiment of FIG. 1;

(58) **Field of Classification Search**

USPC D16/101, 300–342, 900; D29/109–110;
D14/372; 351/41, 44, 45–48, 51–52, 62,
351/158, 92, 103–123, 140–153, 63, 59;
2/13, 15, 426–432, 447–449, 441,
2/434–437

FIG. 5 is a left-side elevational view of the combined
eyeglasses and camera of the embodiment of FIG. 1;

CPC G02C 2200/08; G02C 1/06; G02C 5/14;
G02C 11/02; G02C 11/04; G02C 5/16;
G02C 2200/22; G02C 5/146; G02C
5/2254; G02C 5/008; G01C 5/16; A61M
2021/0044; A63B 33/002

FIG. 6 is a top plan view of the combined eyeglasses and
camera of the embodiment of FIG. 1;

See application file for complete search history.

FIG. 7 is a bottom plan view of the combined eyeglasses and
camera of the embodiment of FIG. 1;

(56) **References Cited**

U.S. PATENT DOCUMENTS

D190,884 S * 7/1961 Rose D16/335
D201,050 S * 5/1965 Gleseking 351/158
D372,928 S * 8/1996 Brune D16/311
D381,346 S * 7/1997 Ronzani D14/372

FIG. 8 is a back perspective view of the combined eye-
glasses and camera of the embodiment of FIG. 1;

FIG. 9 is a another perspective view of the combined
eyeglasses and camera of the embodiment of FIG. 1 with an
arm folded in; and,

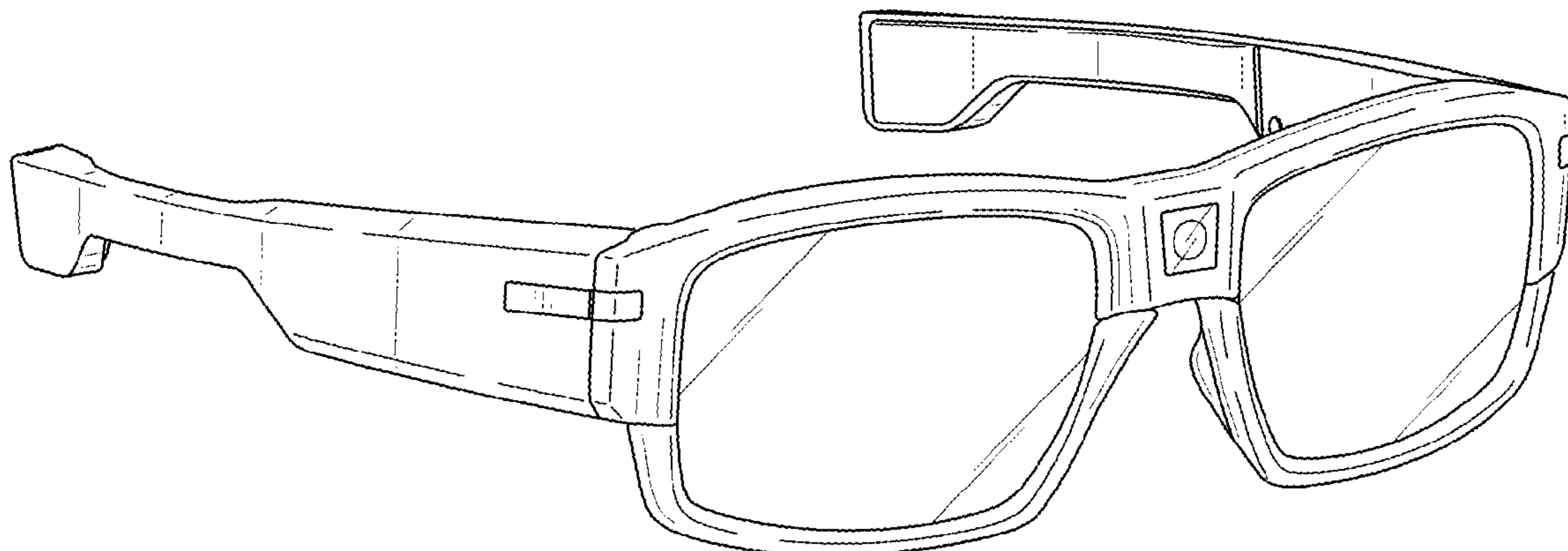
FIG. 10 is an enlarged view of an indicated portion of FIG.
9.

The dot-dash broken lines encircling enlargement potions of
the design form no part of the claimed design.

The dashed broken line portions of the combined eyeglasses
and camera in FIGS. 9-10 represent unclaimed portions of
the claimed design and form no part thereof.

(Continued)

1 Claim, 10 Drawing Sheets



(56)

References Cited

U.S. PATENT DOCUMENTS

6,076,927 A * 6/2000 Owens G02C 5/10
 351/118
 6,824,265 B1 * 11/2004 Harper G02C 11/04
 351/158
 D605,218 S * 12/2009 Meng-Suen D16/309
 D645,493 S * 9/2011 Zhao D16/309
 D646,316 S * 10/2011 Zhao D16/309
 D647,123 S * 10/2011 Cho D16/309
 D649,177 S * 11/2011 Cho D16/309
 D664,587 S * 7/2012 Cho D16/309
 D667,482 S * 9/2012 Healy D16/309
 D667,483 S * 9/2012 Krsmanovic D16/300
 D684,622 S * 6/2013 Cho D16/306
 D685,018 S * 6/2013 Cho D16/306
 D685,019 S * 6/2013 Li D16/309
 D687,087 S * 7/2013 Lurilli D16/309
 D688,294 S * 8/2013 Roy D16/309
 D690,761 S * 10/2013 He D16/309
 D693,398 S * 11/2013 Rubin D16/303
 D694,310 S * 11/2013 Cho D16/309
 D694,311 S * 11/2013 Cho D16/309
 D695,333 S * 12/2013 Farnam D16/309
 D708,181 S * 7/2014 Olsson D14/372
 D717,865 S * 11/2014 Votel D16/326
 D728,564 S * 5/2015 Olsson D14/372
 D757,154 S * 5/2016 Muftic D16/300
 D763,344 S * 8/2016 Roy D16/309

D766,895 S * 9/2016 Choi D14/372
 D768,628 S * 10/2016 Choi D14/372
 D768,759 S * 10/2016 Markovitz D16/325
 D769,353 S * 10/2016 Markovitz D16/321
 D770,558 S * 11/2016 Ghodousi D16/309
 D771,177 S * 11/2016 Sirel D16/309
 D775,266 S * 12/2016 Chen D16/326
 D775,267 S * 12/2016 Chen D16/326
 2006/0012974 A1 * 1/2006 Su G02C 11/04
 362/105
 2007/0195258 A1 * 8/2007 Huang G02C 11/10
 351/41
 2007/0200999 A1 * 8/2007 Lee G02C 11/04
 351/158
 2008/0297716 A1 * 12/2008 Tsai G02C 11/04
 351/51
 2011/0234973 A1 * 9/2011 Ye G02C 11/00
 351/158
 2013/0208235 A1 * 8/2013 Sonsino G02C 7/14
 351/158
 2013/0293828 A1 * 11/2013 Kuo G02C 5/20
 351/121
 2016/0048025 A1 * 2/2016 Cazalet G02B 27/0176
 351/116
 2016/0178929 A1 * 6/2016 Chen G02C 5/146
 351/116
 2016/0252750 A1 * 9/2016 Schomann G02C 11/00
 351/121

* cited by examiner

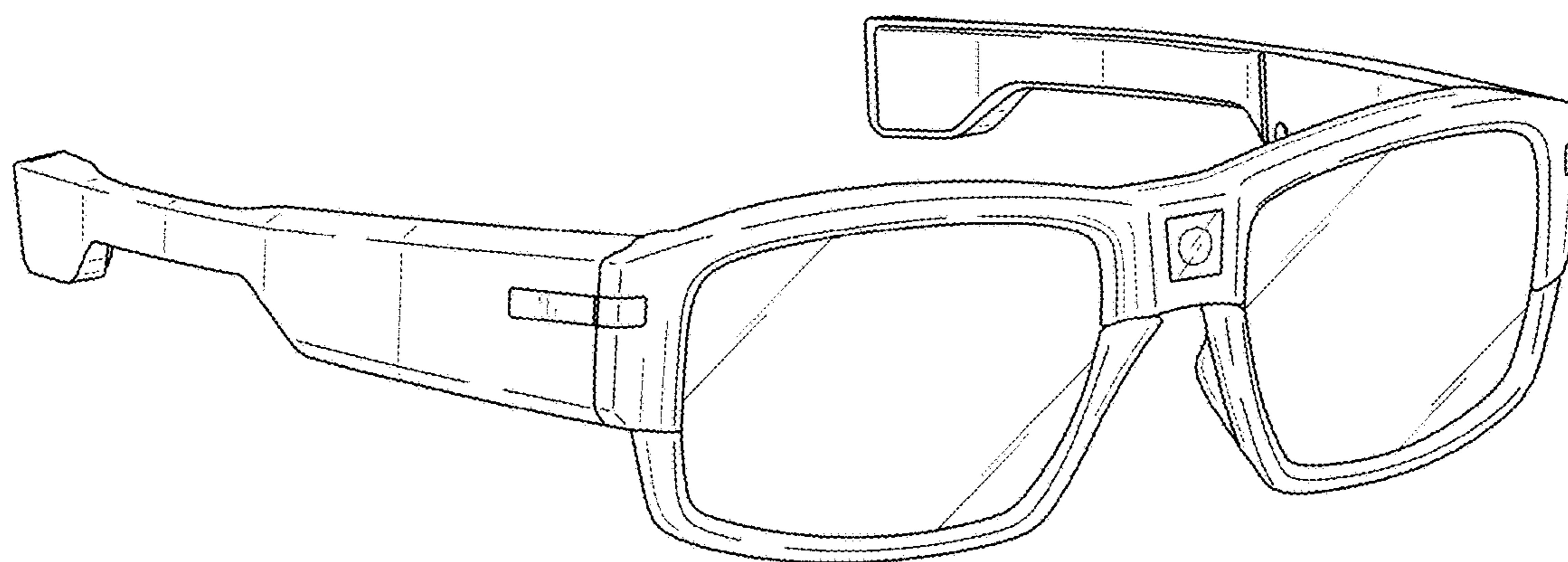


FIG. 1

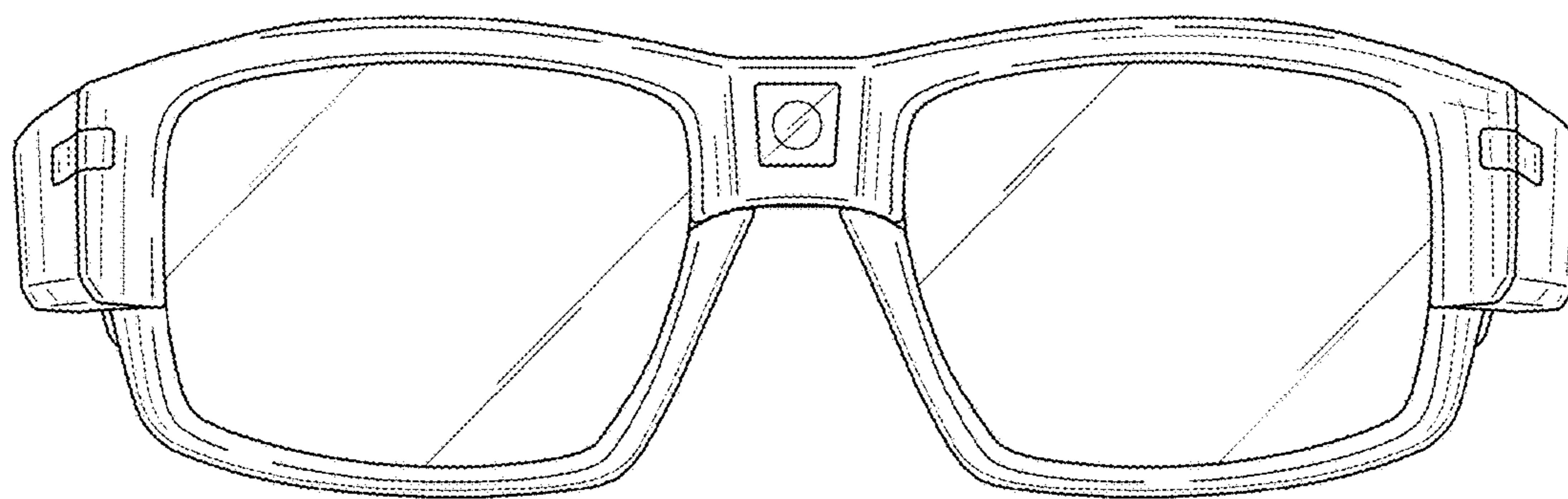


FIG. 2

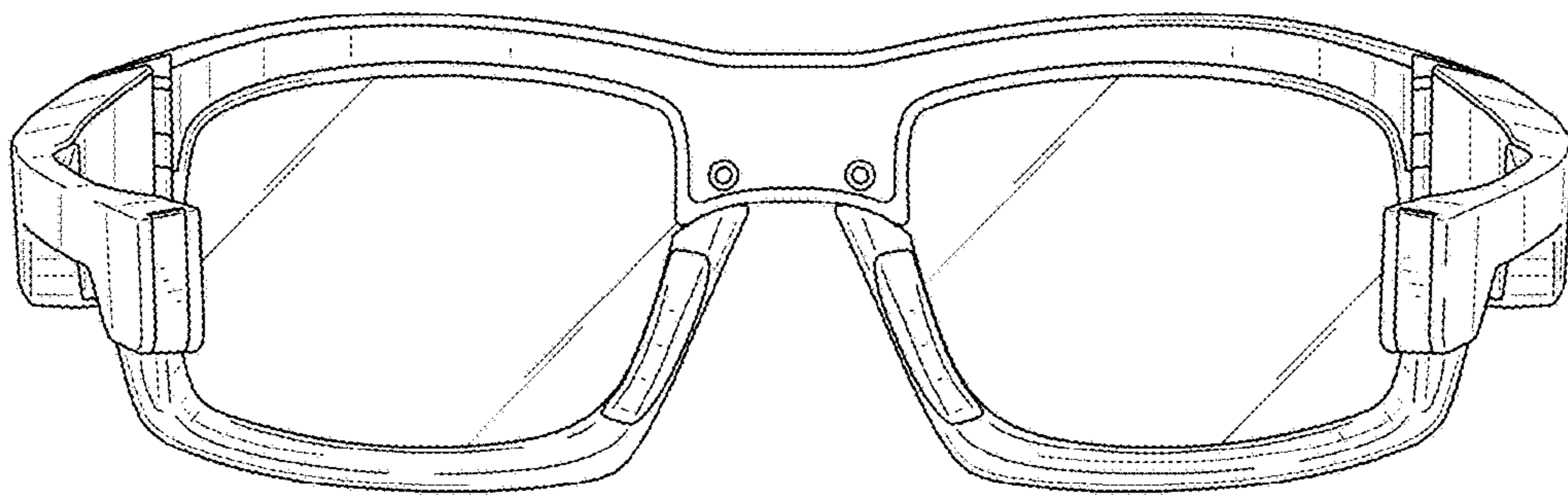


FIG. 3

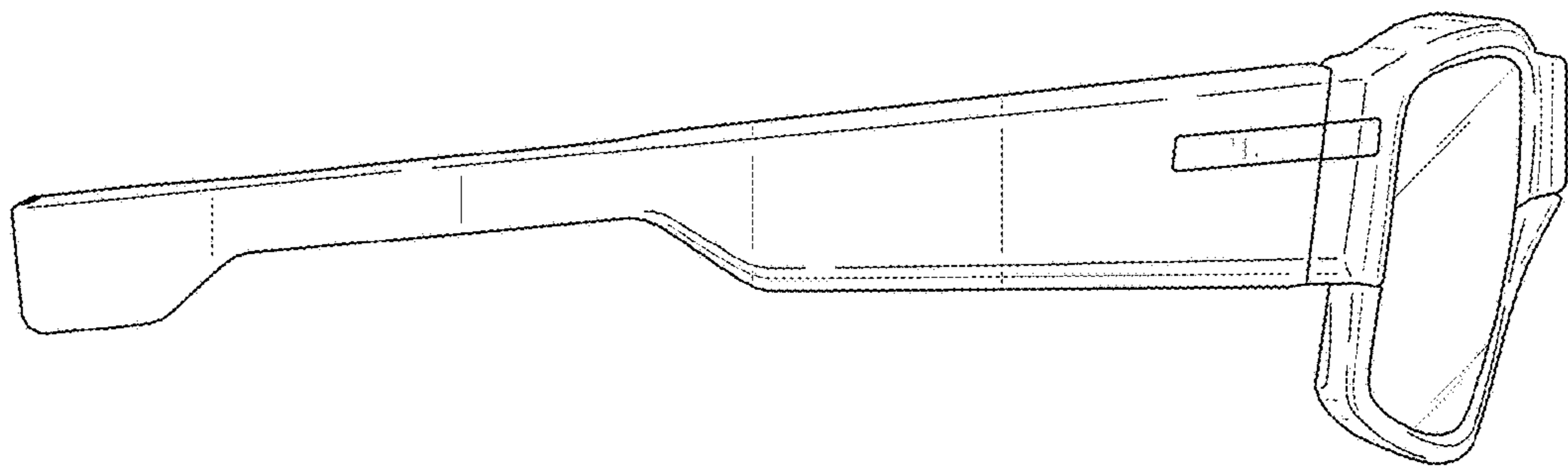


FIG. 4

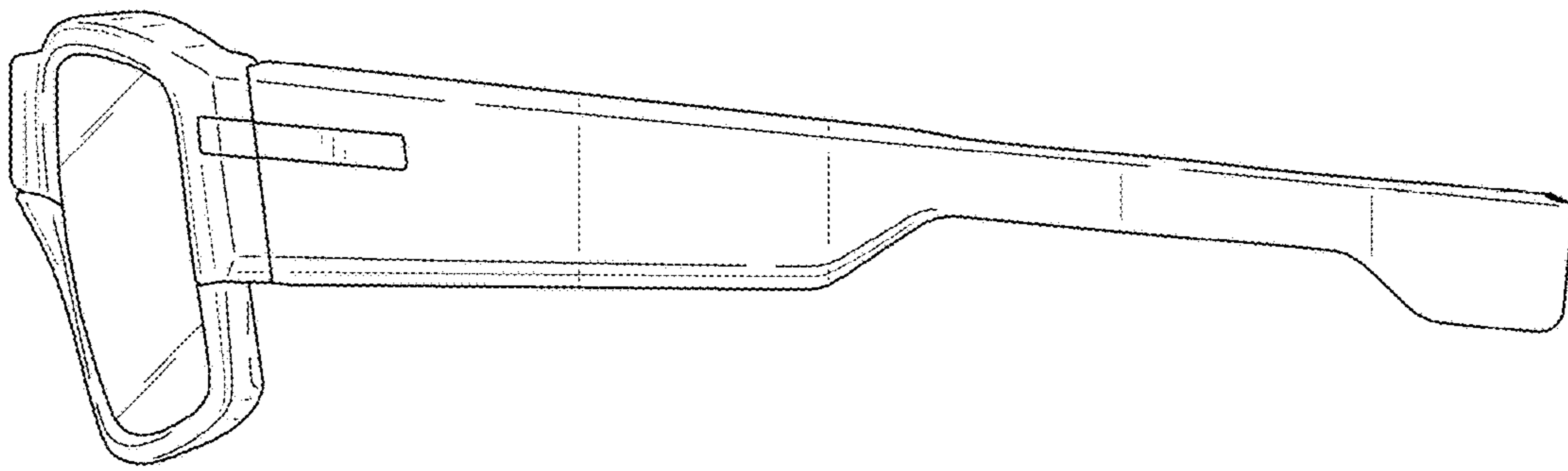


FIG. 5

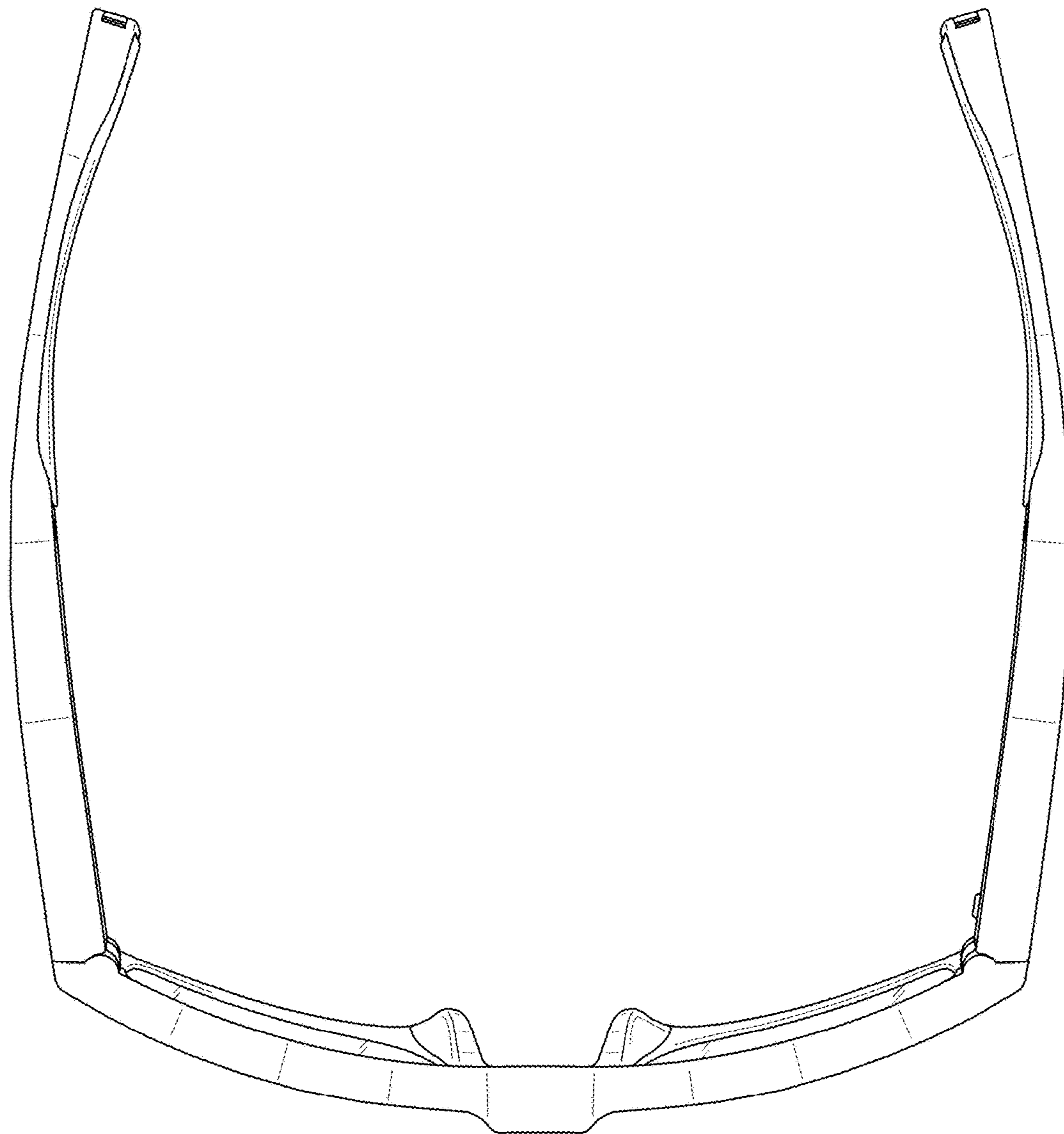


FIG. 6

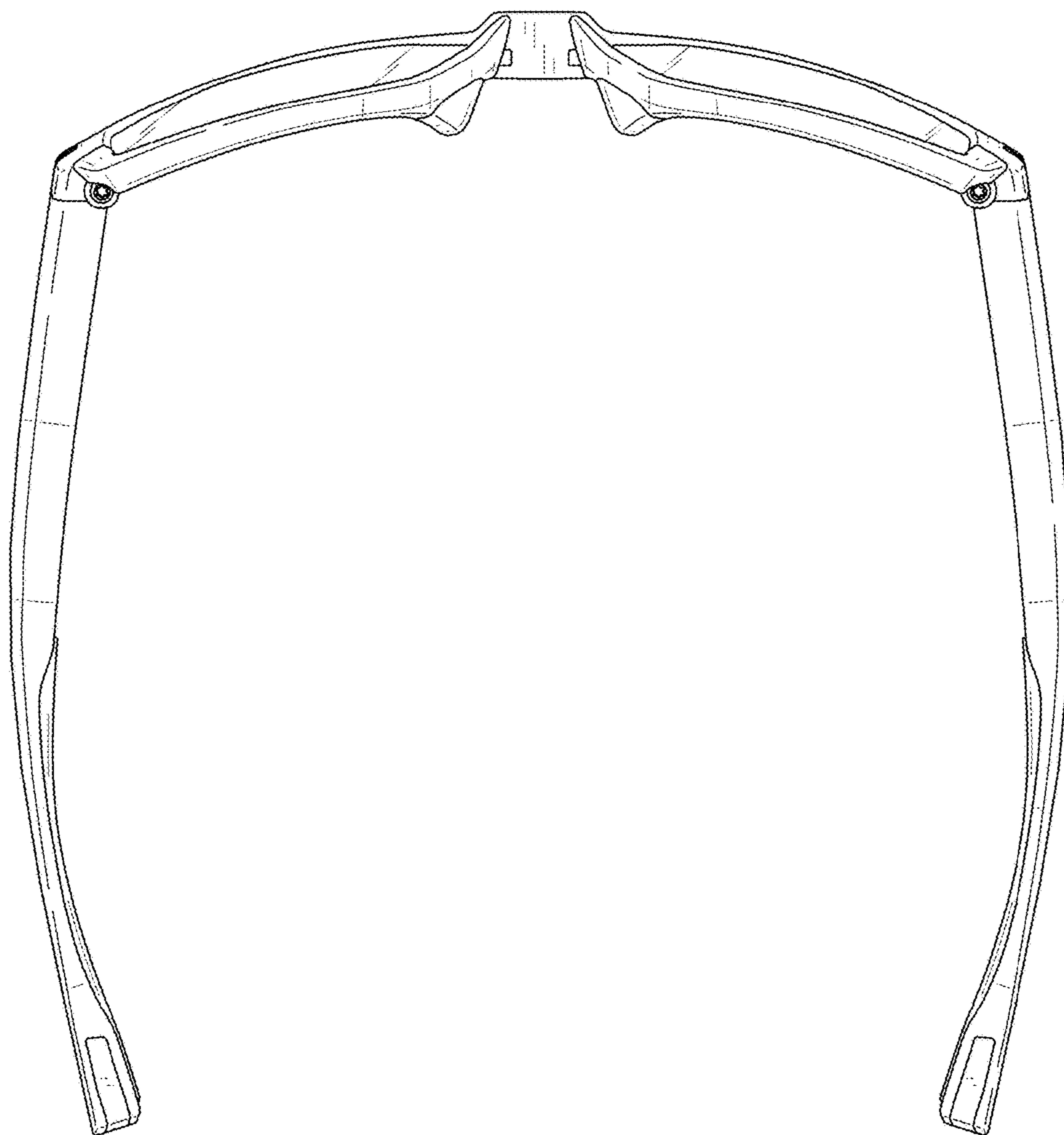


FIG. 7

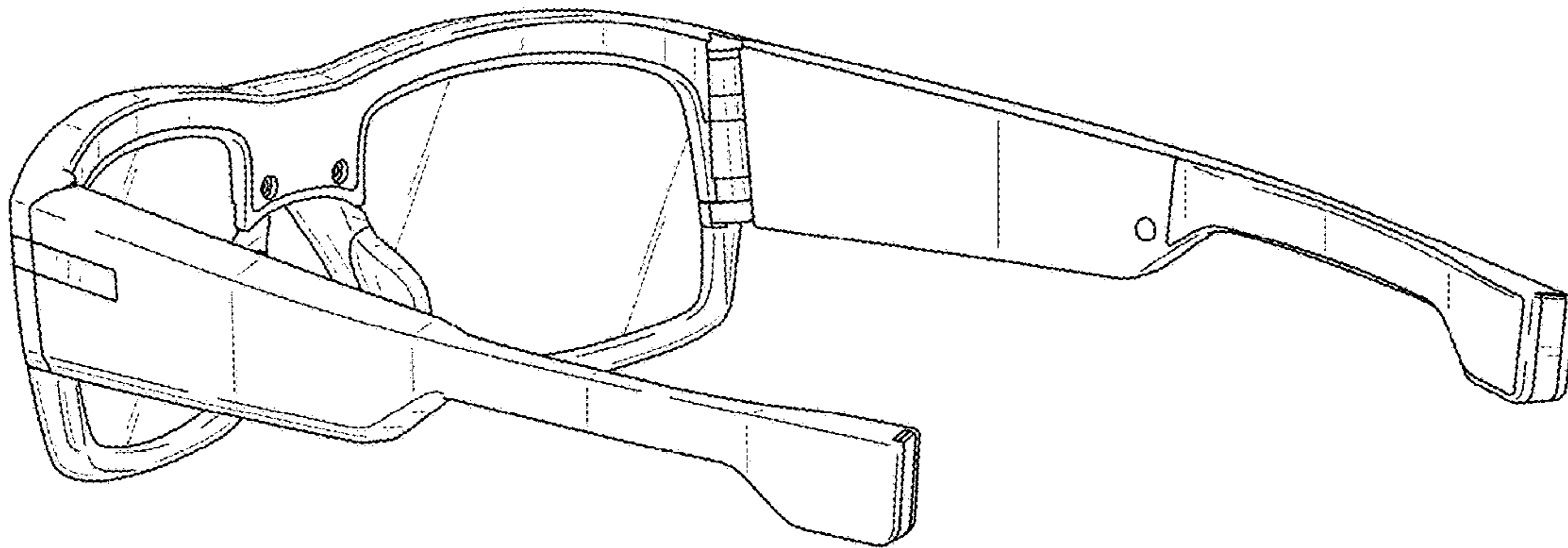


FIG. 8

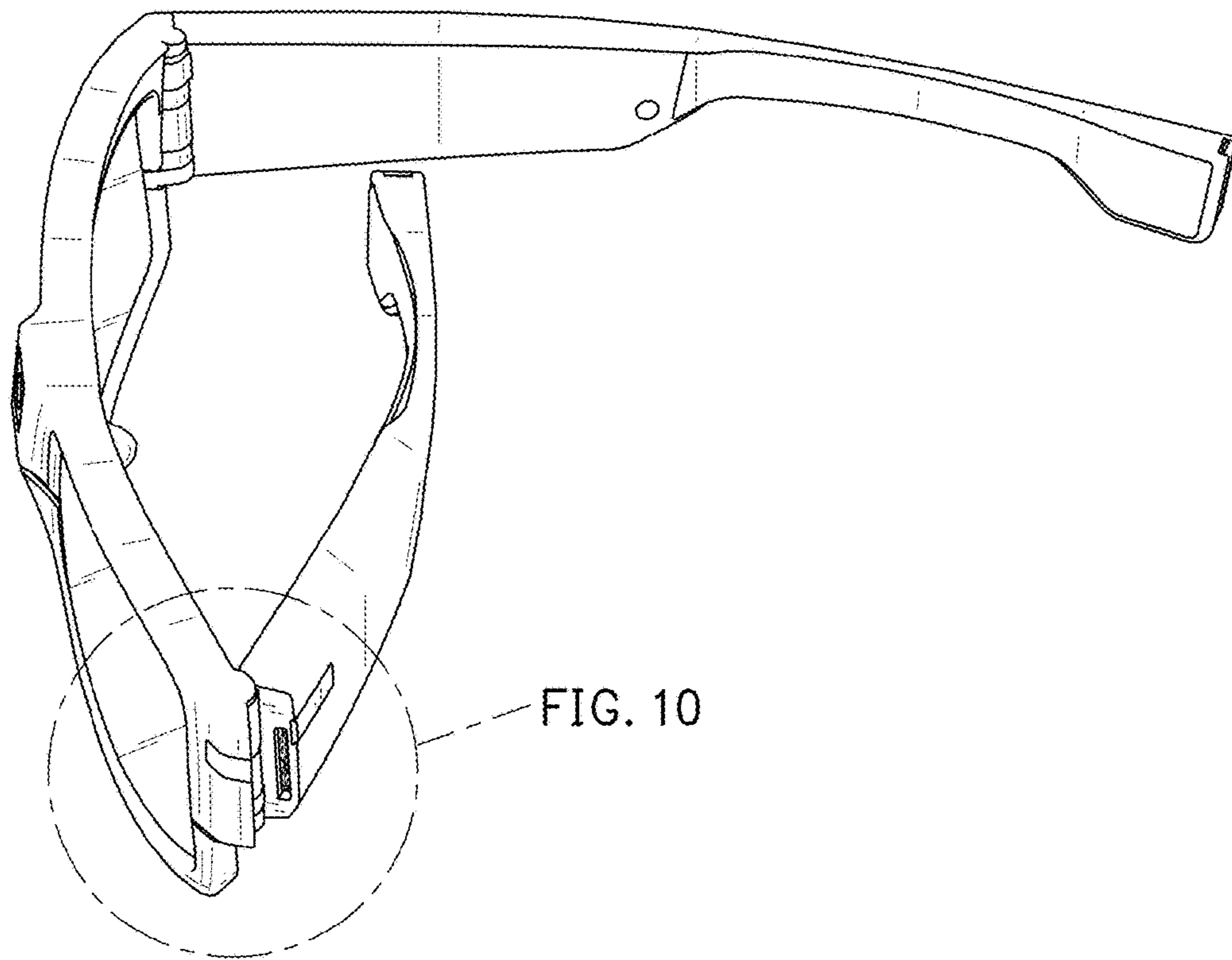


FIG. 9

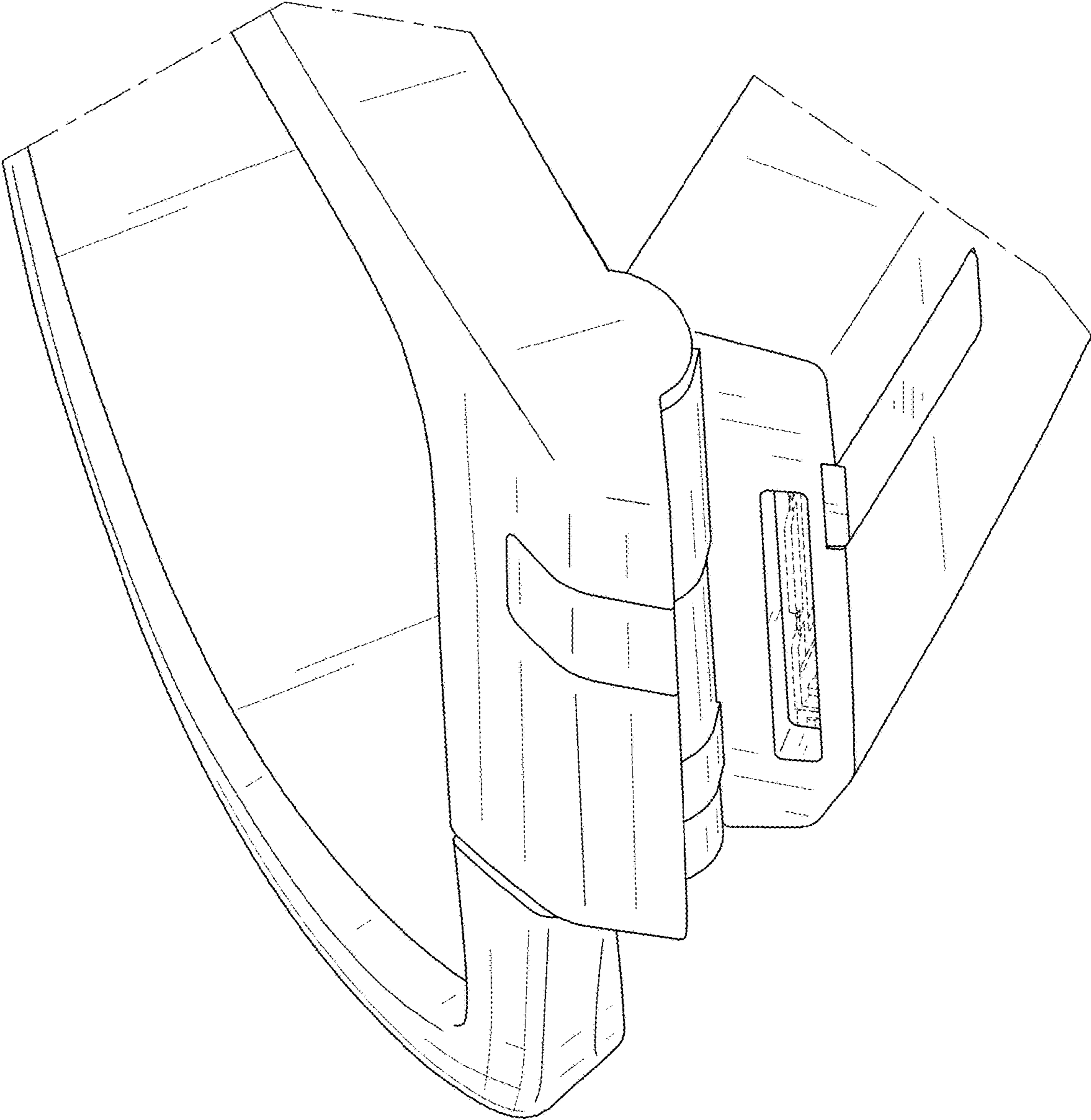


FIG. 10