



US00D814550S

(12) **United States Design Patent**
Florey

(10) **Patent No.:** **US D814,550 S**
(45) **Date of Patent:** **** Apr. 3, 2018**

- (54) **COLLAPSIBLE CAMERA CRANE**
- (71) Applicant: **LITE PRO GEAR**, Zephyr Cove, NV (US)
- (72) Inventor: **Canyon Florey**, Zephyr Cove, NV (US)
- (73) Assignee: **LITE PRO GEAR**, Zephyr Cove, NV (US)
- (**) Term: **15 Years**
- (21) Appl. No.: **29/567,179**
- (22) Filed: **Jun. 6, 2016**

D238,903 S 2/1976 Colvig
 D252,754 S 8/1979 Viering
 4,370,090 A 1/1983 Shumaker
 (Continued)

OTHER PUBLICATIONS

Feather Camera Crane Plus Set Up Instructions. [online] Published date Aug. 14, 2015. Retrieved on Jul. 12, 2017 from <URL: <https://www.youtube.com/watch?v=M3ELUcOBZWs>>.*
 (Continued)

Primary Examiner — Vy N Koenig
Assistant Examiner — Omeed Agilee
 (74) *Attorney, Agent, or Firm* — Pillsbury Winthrop Shaw Pittman, LLP

Related U.S. Application Data

- (63) Continuation-in-part of application No. 29/517,845, filed on Feb. 17, 2015, now Pat. No. Des. 758,472, which is a continuation of application No. 29/473,730, filed on Nov. 25, 2013, now Pat. No. Des. 725,694.
- (51) **LOC (11) Cl.** **16-05**
- (52) **U.S. Cl.**
USPC **D16/242**
- (58) **Field of Classification Search**
USPC D16/200, 204, 208, 213–219, 235, D16/237–250; D14/217, 229, 250–253; D8/363, 373, 394; D6/553, 556, 672; D34/33–36
CPC G03B 17/02–17/04; G03B 17/14; G03B 17/56; G03B 17/561–17/568; G03B 21/20; G02B 7/00–7/002; F16M 11/02; F16M 11/04; F16M 11/20; F16M 11/40; A45F 5/00; A45F 5/10; A45F 2200/0508–2200/0533
See application file for complete search history.

(57) **CLAIM**

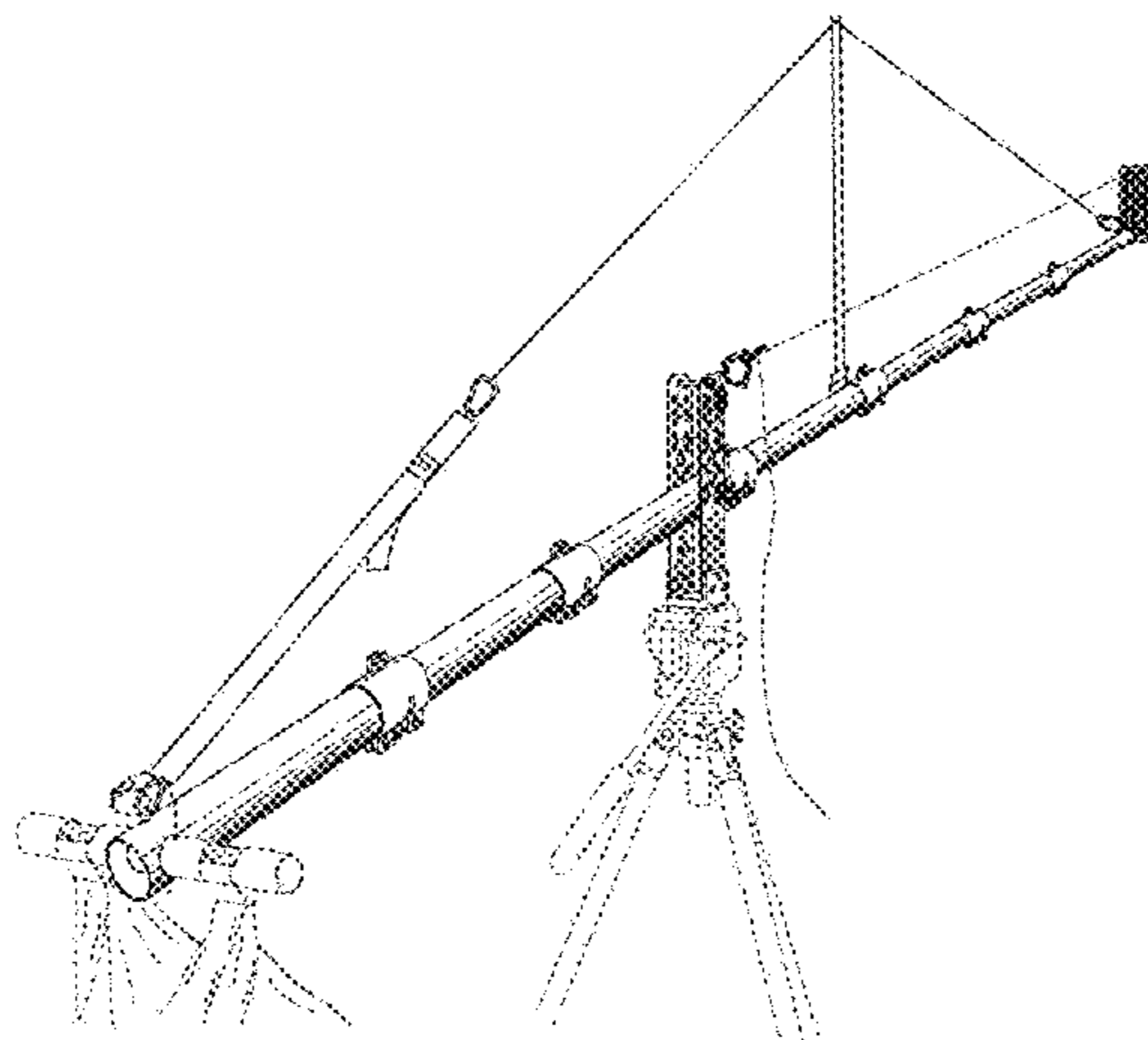
The ornamental design for a collapsible camera crane, as shown and described.

DESCRIPTION

The present application is related to U.S. Non-provisional Utility patent application Ser. No. 14/222,525 filed on Mar. 21, 2014 and entitled “Collapsible Camera Crane” (now issued as U.S. Pat. No. 9,057,480), the disclosure of which in its entirety being incorporated herein by reference.
 FIG. 1 is a rear, top, and left perspective view of the collapsible camera crane, in an extended configuration, showing my new design;
 FIG. 2 is a rear elevation view of FIG. 1;
 FIG. 3 is a front elevation view of FIG. 1;
 FIG. 4 is a left-side elevation view of FIG. 1;
 FIG. 5 is a right-side elevation view of FIG. 1;
 FIG. 6 is a top plan view of FIGS. 1; and,
 FIG. 7 is a bottom plan view of FIG. 1.
 The broken lines in the drawings depict environmental subject matter and form no part of the claimed design.

- (56) **References Cited**
U.S. PATENT DOCUMENTS
1,942,925 A 1/1934 Elliott
2,156,862 A 5/1939 Maugard

1 Claim, 4 Drawing Sheets



(56)

References Cited

U.S. PATENT DOCUMENTS

D289,835 S 5/1987 Schoenig
 4,671,478 A 6/1987 Schoenig
 4,702,450 A 10/1987 Barisa
 4,849,778 A 7/1989 Samuelson
 4,907,768 A 3/1990 Masseron
 4,952,953 A 8/1990 Ridderstolpe
 5,711,397 A 1/1998 Flora
 5,856,862 A 1/1999 Kokush
 6,478,427 B1 11/2002 Morris
 6,752,541 B1 6/2004 Dykyj
 6,776,488 B2 8/2004 Burbulla
 7,128,419 B2 10/2006 Harris
 7,209,176 B2 * 4/2007 Chapman F16M 11/10
 248/187.1
 7,249,740 B1 7/2007 Morales
 7,293,668 B2 11/2007 Brossart
 D588,621 S 3/2009 Baty
 7,544,001 B2 6/2009 Chapman
 8,033,742 B1 * 10/2011 Chapman B66F 11/048
 352/243
 8,057,112 B2 11/2011 Amadril

D670,284 S 11/2012 Choi
 D721,074 S 1/2015 Harris
 D722,637 S * 2/2015 Baty D16/242
 D723,090 S * 2/2015 Firchau D16/242
 D725,694 S 3/2015 Florey
 D728,001 S * 4/2015 Zhan D16/243
 9,057,480 B1 6/2015 Florey
 9,115,740 B2 8/2015 Chang
 2006/0147196 A1 * 7/2006 Hein B66C 23/18
 396/428
 2010/0200710 A1 8/2010 Shenouda
 2014/0014807 A1 * 1/2014 Kamm F16M 11/04
 248/558
 2016/0246162 A1 * 8/2016 Niemeyer F16M 11/18
 2016/0377224 A1 * 12/2016 Vance G03B 17/561
 396/428

OTHER PUBLICATIONS

Gear Review: Lite Pro Gear Feather Camera Crane. [online] Published date Aug. 28, 2014. Retrieved on Jul. 11, 2017 from <URL:https://www.youtube.com/watch?v=sSGYCsWIRis>.*

* cited by examiner

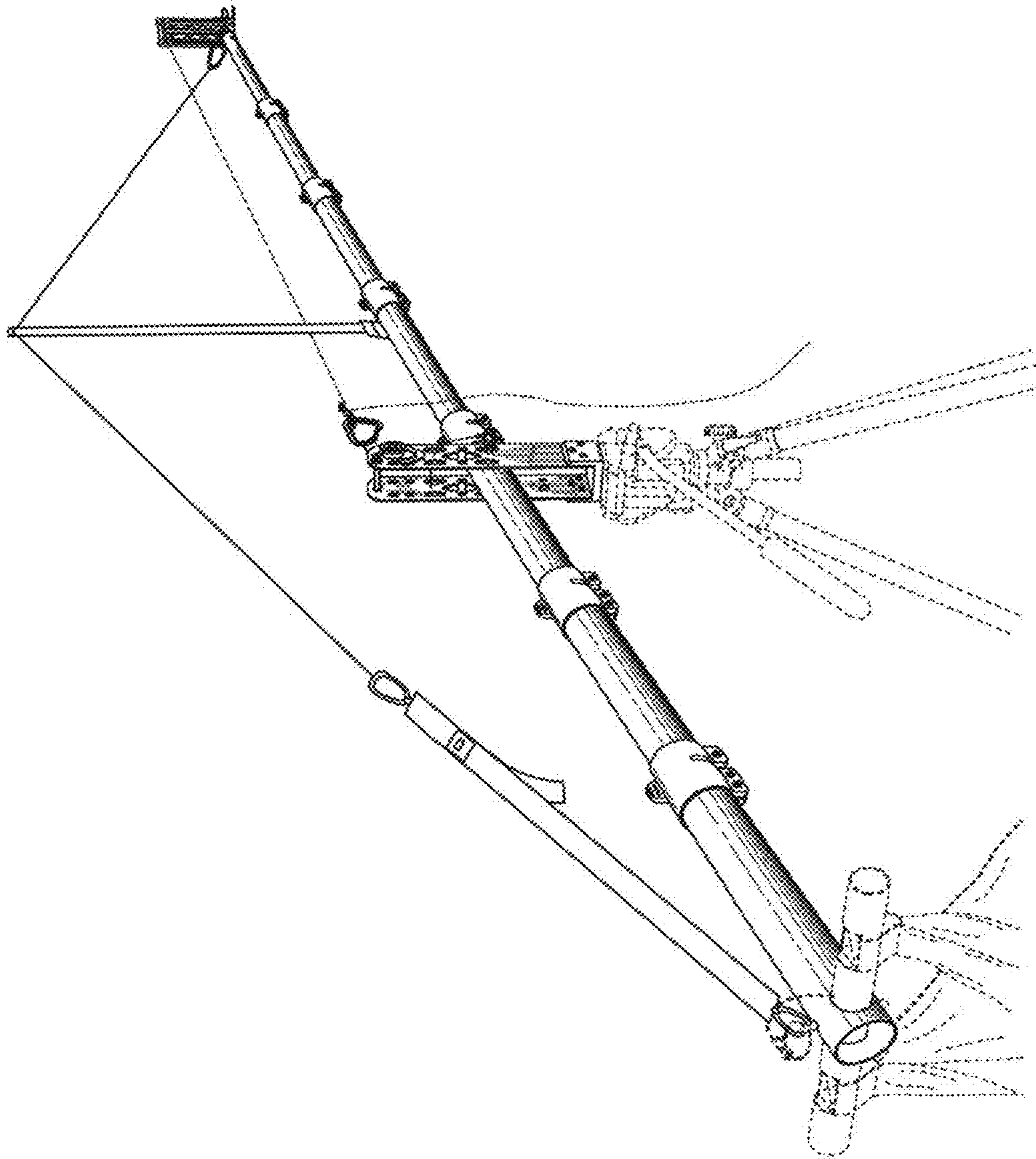


FIG. 1

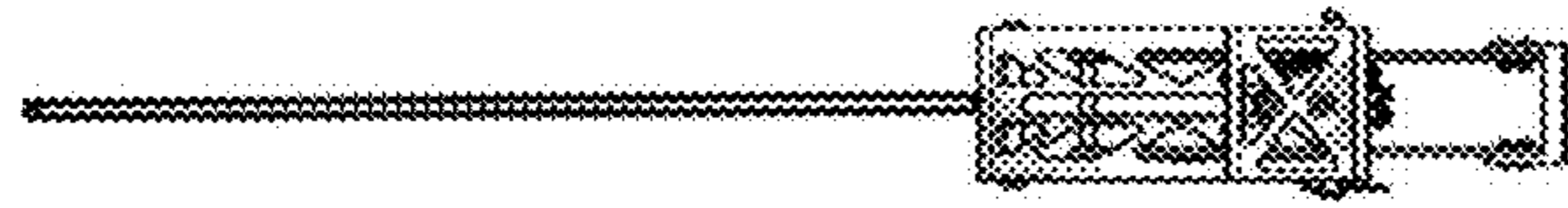
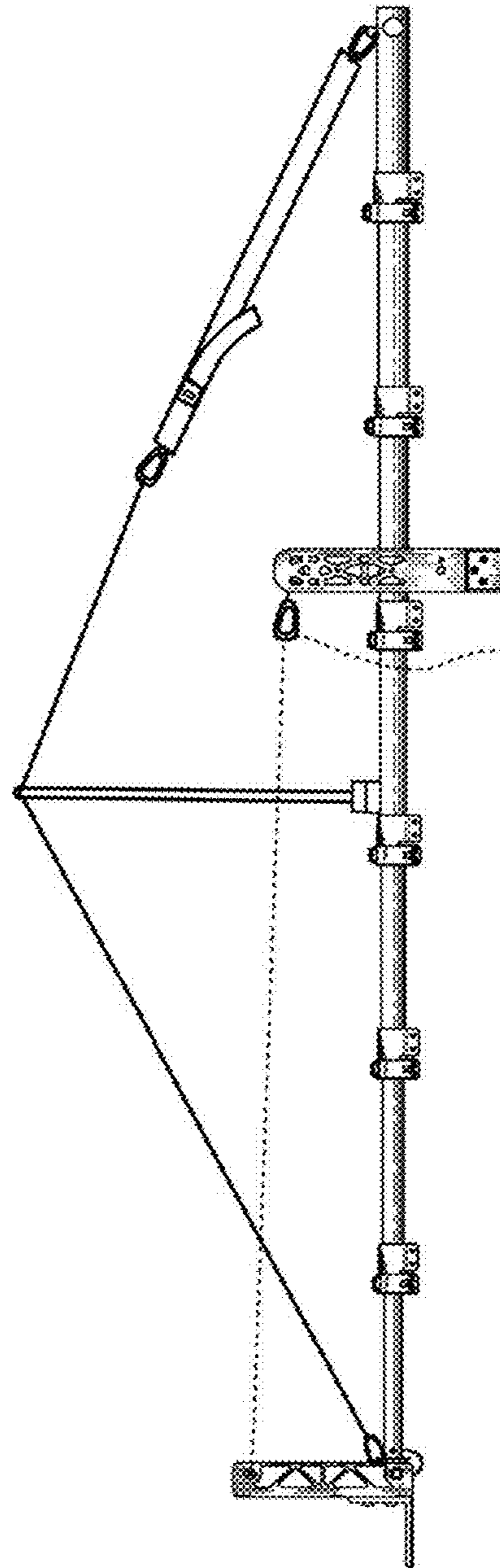
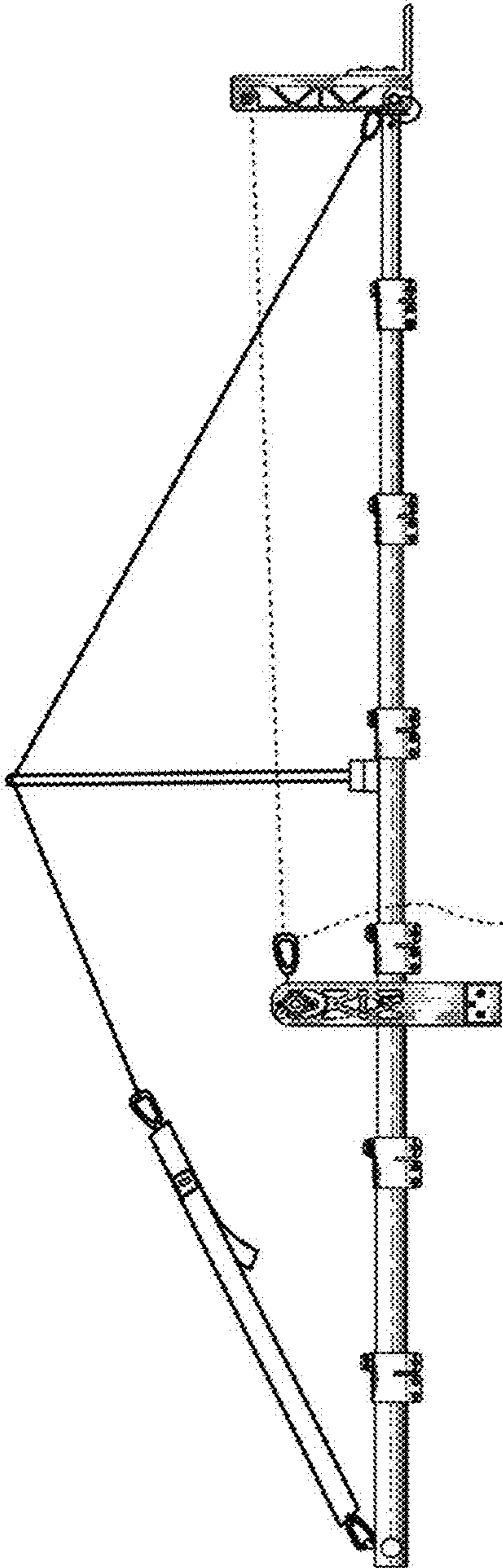


FIG. 3



FIG. 2



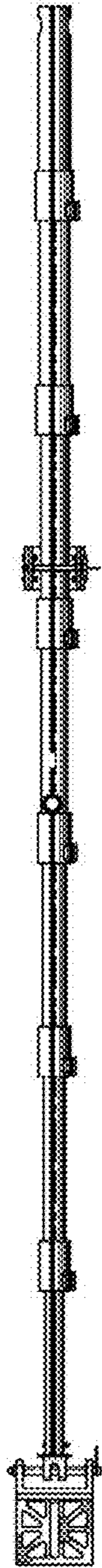


FIG. 6

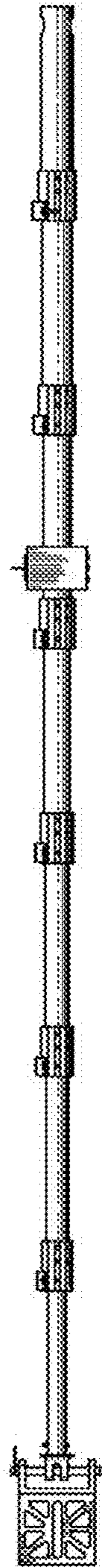


FIG. 7