



US00D814549S

(12) **United States Design Patent** (10) **Patent No.:** **US D814,549 S**
Carnevali (45) **Date of Patent:** **** Apr. 3, 2018**

(54) **ADAPTER BASE WITH BALL MOUNT**

(71) Applicant: **Jeffrey D. Carnevali**, Seattle, WA (US)

(72) Inventor: **Jeffrey D. Carnevali**, Seattle, WA (US)

(**) Term: **15 Years**

(21) Appl. No.: **29/556,149**

(22) Filed: **Feb. 27, 2016**

(51) **LOC (11) Cl.** **16-05**

(52) **U.S. Cl.**

USPC **D16/242**; D12/162

(58) **Field of Classification Search**

USPC D8/21, 305, 17, 27, 29, 26, 71, 107, 382,
D8/387, 395; D12/159, 160, 162, 163,
D12/167, 169, 172, 400, 420, 414.1, 406;
D14/238; D34/35; D16/237, 240, 242,
D16/245, 250

CPC . B60D 1/46; B60D 1/58; B60D 1/065; F16M
11/14; G03B 17/568; G03B 17/561;
G03B 17/566; G03B 17/58; G03B 17/56;
G03B 17/00

See application file for complete search history.

(56) **References Cited**

U.S. PATENT DOCUMENTS

5,071,279	A *	12/1991	Rutstrom	F16M 11/14 403/114
D476,554	S *	7/2003	Niwa	D6/328
D603,442	S *	11/2009	Dordick	D16/242
D607,381	S *	1/2010	Lekkas	D12/162
D683,383	S *	5/2013	Skeoch	D16/242
D695,816	S *	12/2013	Raccah	D16/242
D757,842	S *	5/2016	Harrison	D16/242
D758,473	S *	6/2016	Costa	D16/242
D759,147	S *	6/2016	Harrison	D16/242
D776,745	S *	1/2017	Bennett	D16/242

D778,884	S *	2/2017	Taptic	D14/238
2008/0121767	A1 *	5/2008	Wimberley	F16M 11/14 248/181.1
2015/0286116	A1 *	10/2015	Johnson, Sr.	G03B 17/568 348/373

OTHER PUBLICATIONS

Cowboystudio.com. "Horizontal Surface Quick Release Buckle Mount for GoPro." Retrieved Feb. 14, 2017. (http://www.cowboystudio.com/product_p/goprohorizontalquickbuckle.htm).*
Ulcs.com. "Getting Started—if You Own a dSLR Housing." Retrieved Feb. 14, 2017. (<http://www.ulcs.com/gshousings.html>).*

* cited by examiner

Primary Examiner — Karen S Acker
Assistant Examiner — Jerry Shiuan-Hua Hsu
(74) *Attorney, Agent, or Firm* — Charles J. Rupnick

(57) **CLAIM**

The ornamental design for an adapter base with ball mount, as shown and described.

DESCRIPTION

FIG. 1 is a top front right side perspective view of my new design;
FIG. 2 is a top front left side perspective view thereof;
FIG. 3 is a top rear right side perspective view thereof;
FIG. 4 is a bottom perspective view thereof;
FIG. 5 is a front elevational view thereof;
FIG. 6 is a rear elevational view thereof;
FIG. 7 is a left side elevational view thereof;
FIG. 8 is a right side elevational view thereof;
FIG. 9 is a top elevational view thereof; and,
FIG. 10 is a bottom elevational view thereof.
The broken lines illustrate portions of the adapter base with ball mount that form no part of the claimed design.

1 Claim, 3 Drawing Sheets

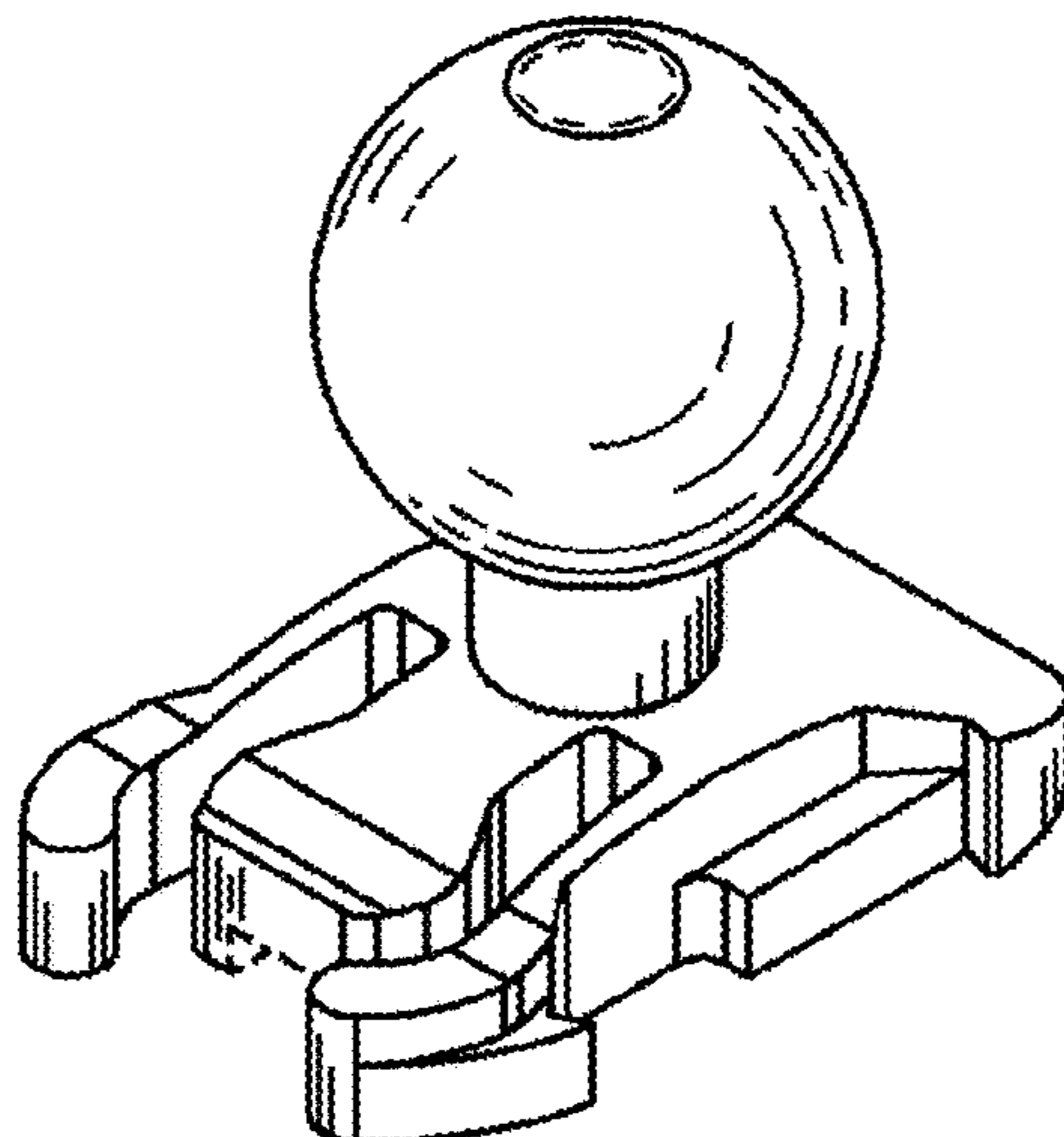


Fig. 1

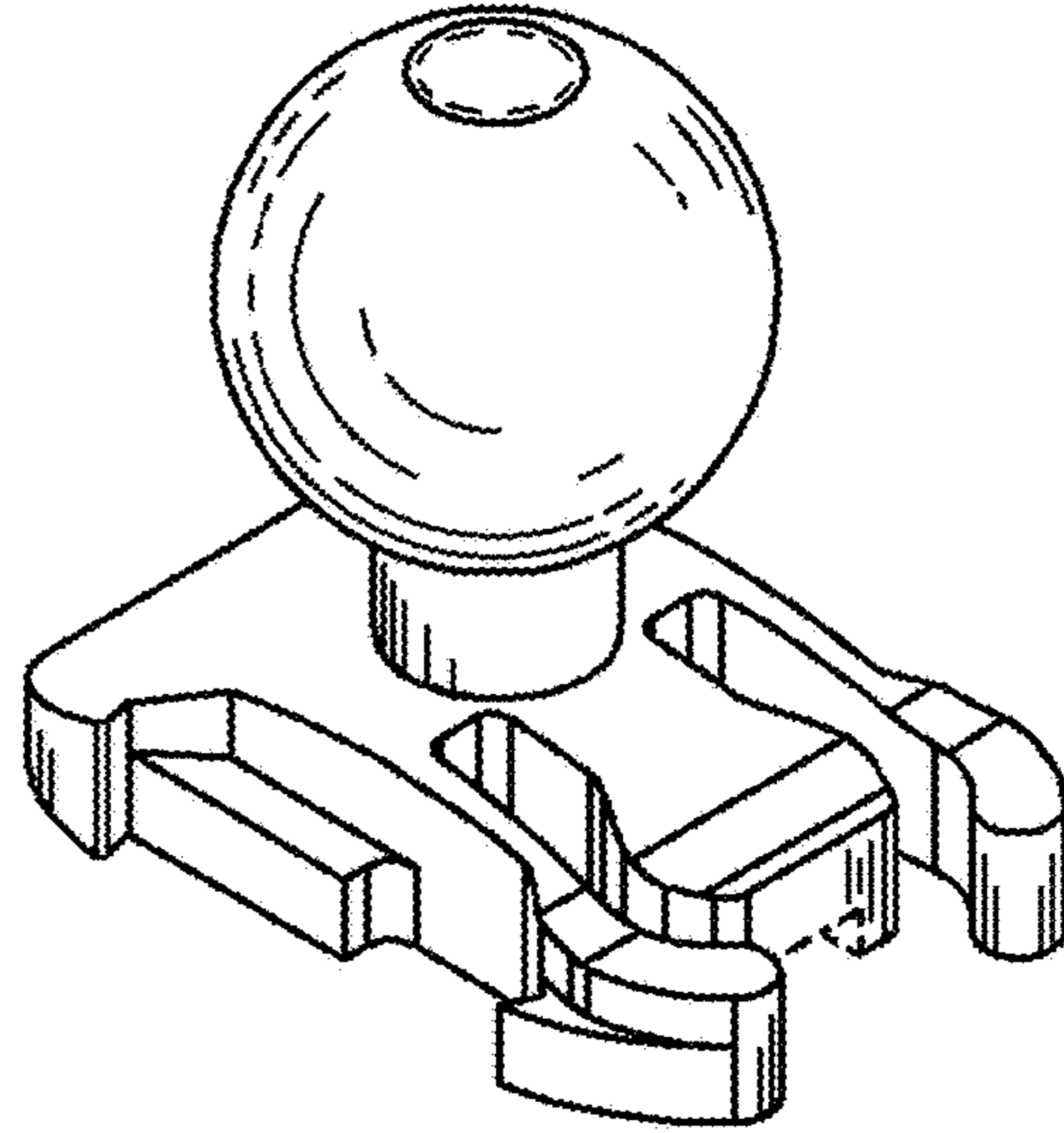
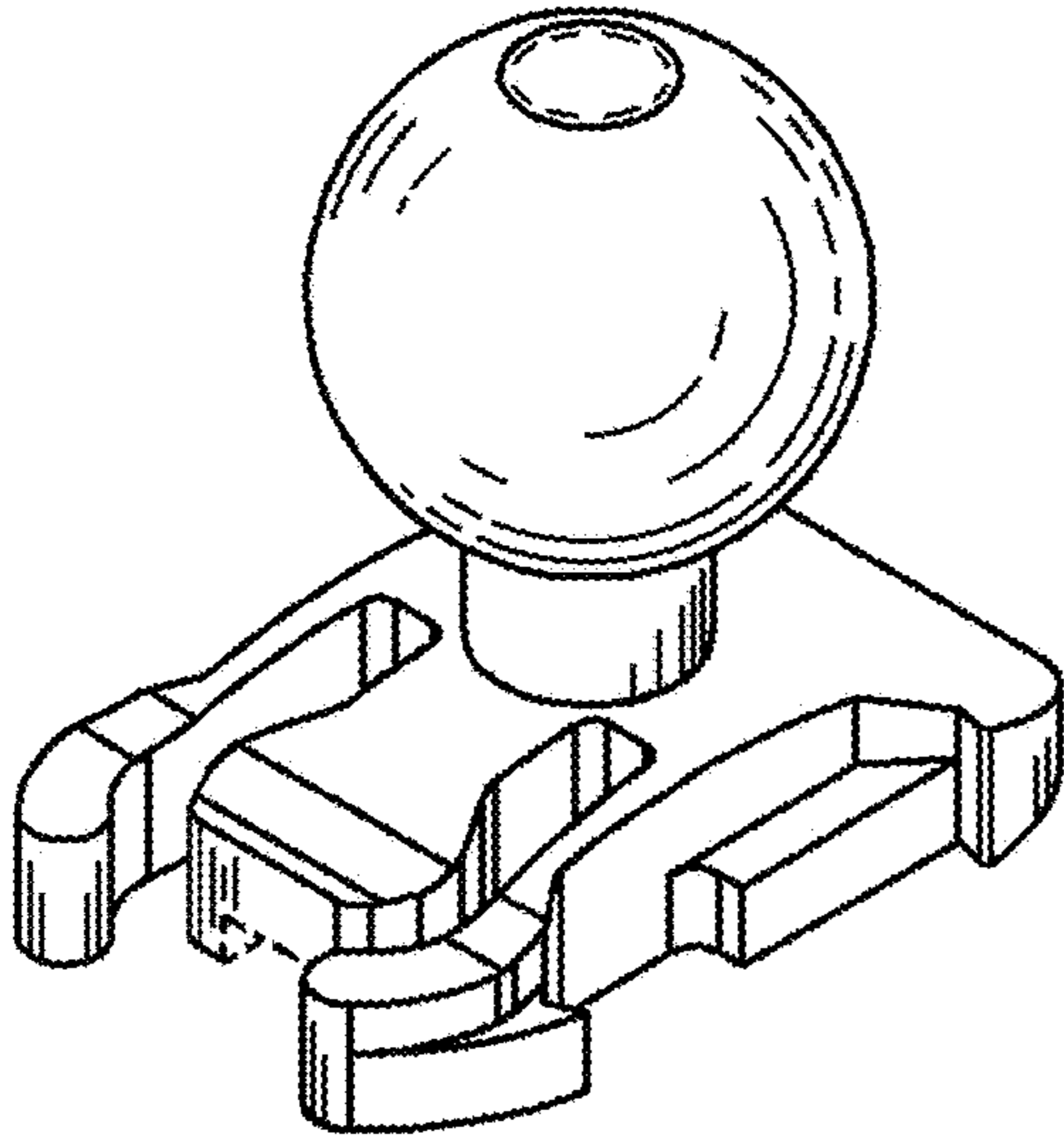


Fig. 2

Fig. 3

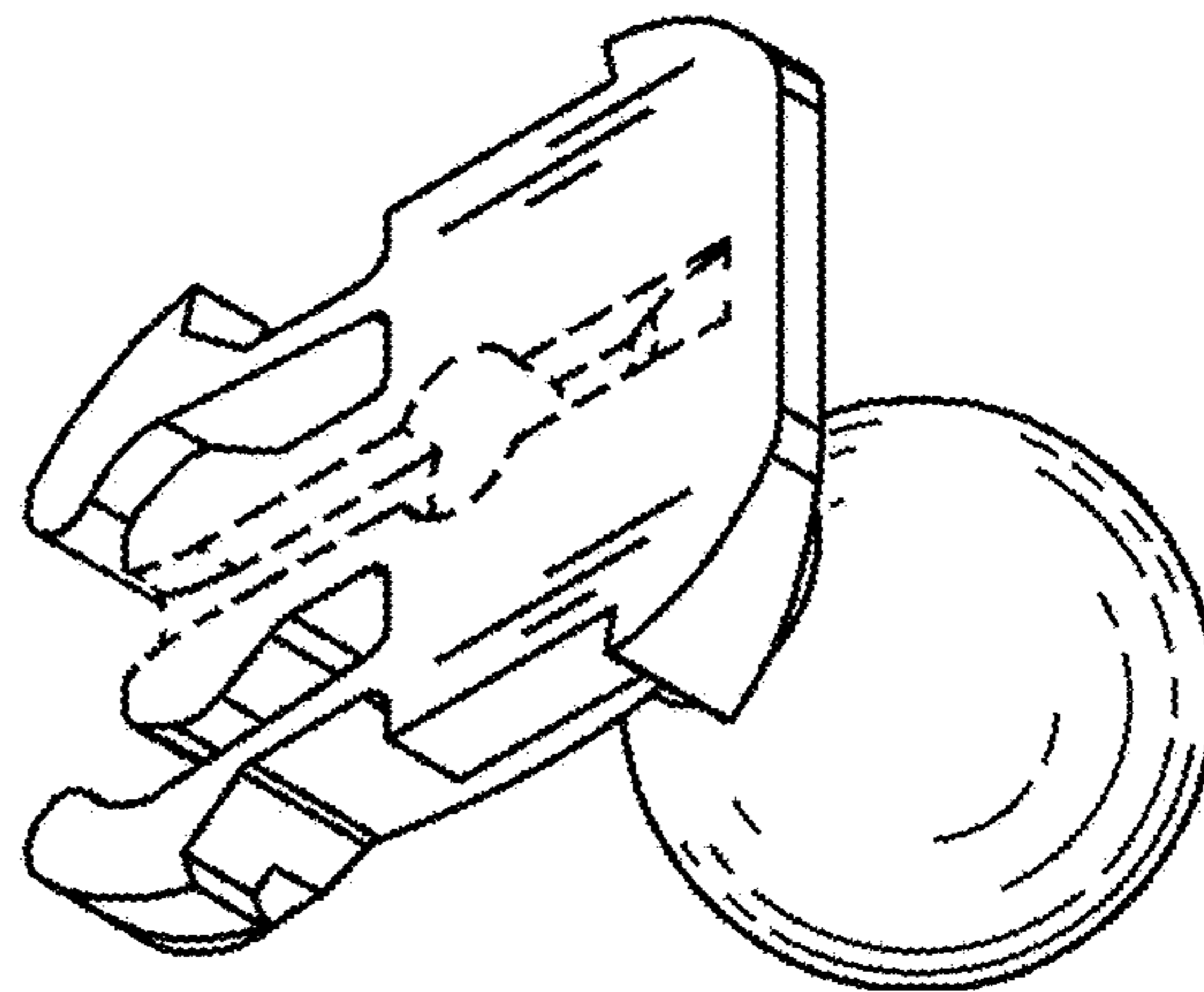
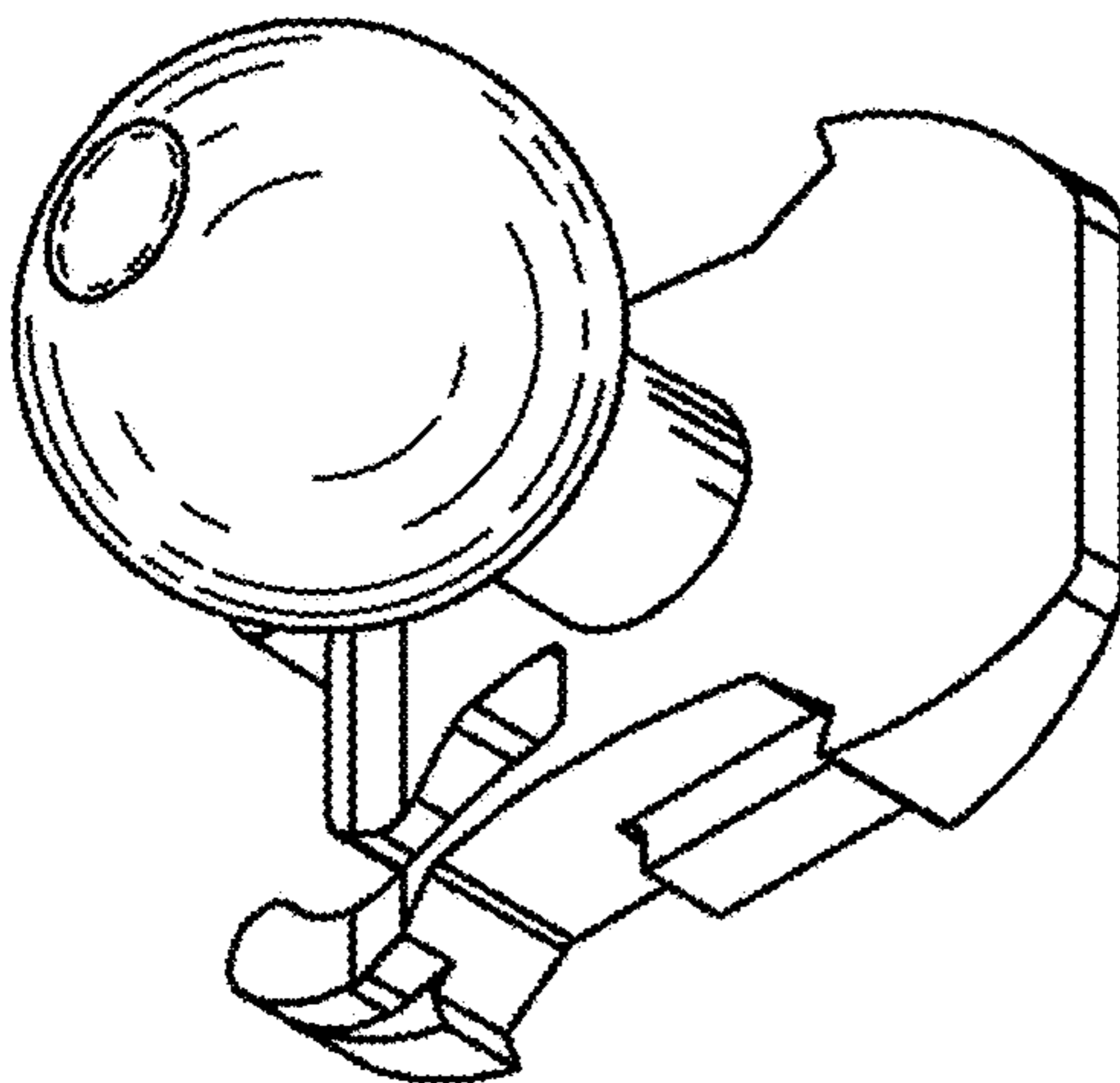


Fig. 4

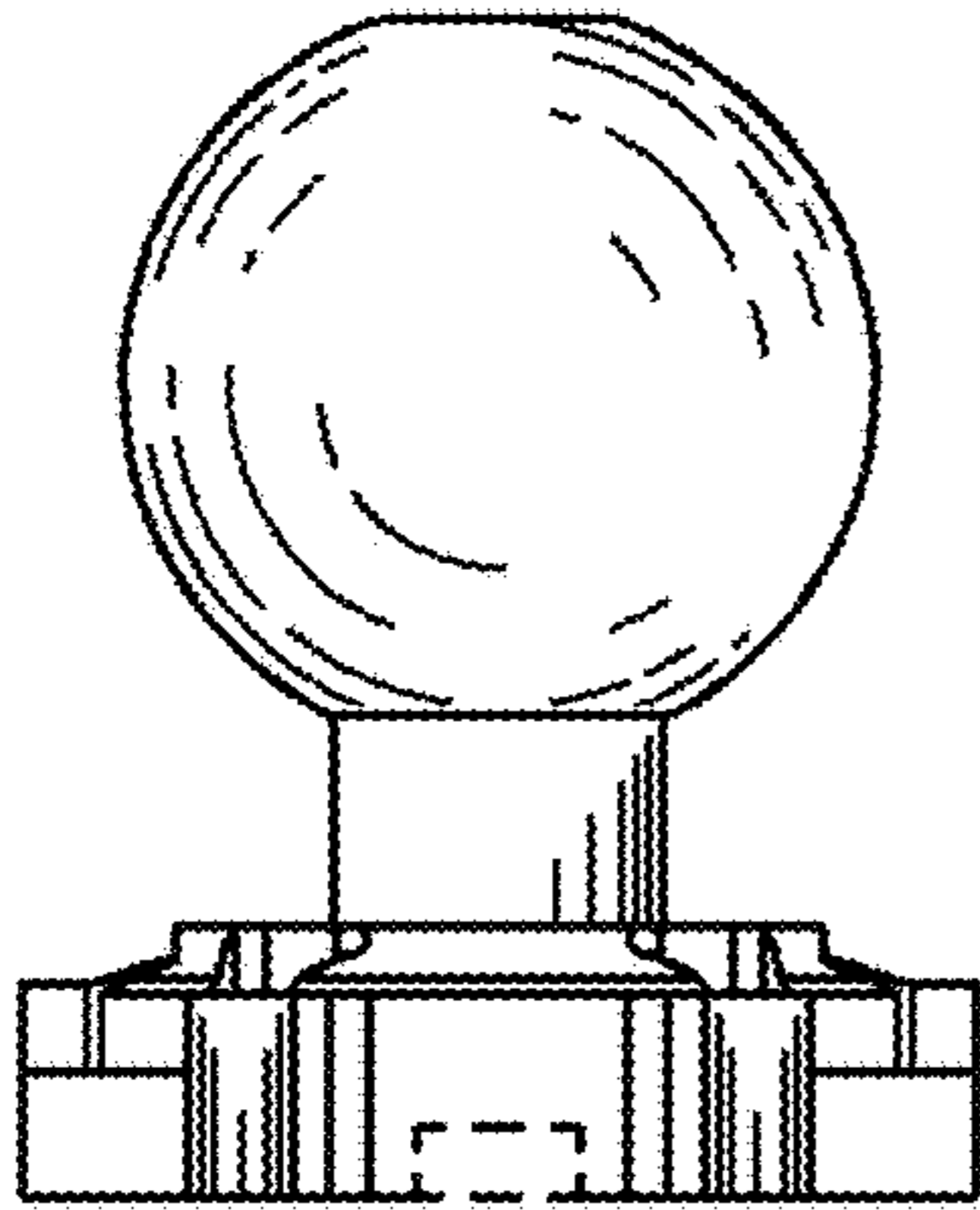


Fig. 5

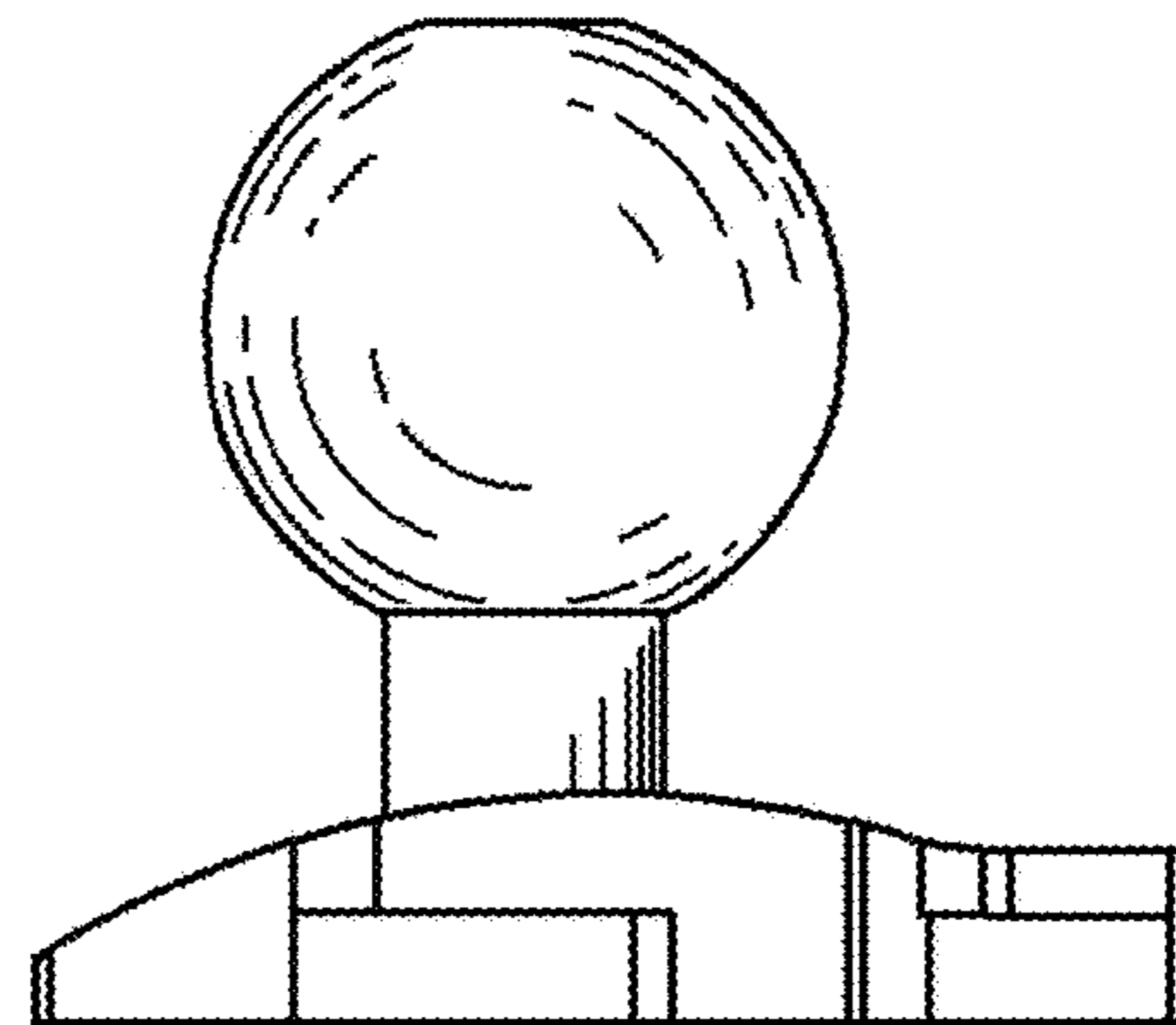


Fig. 7

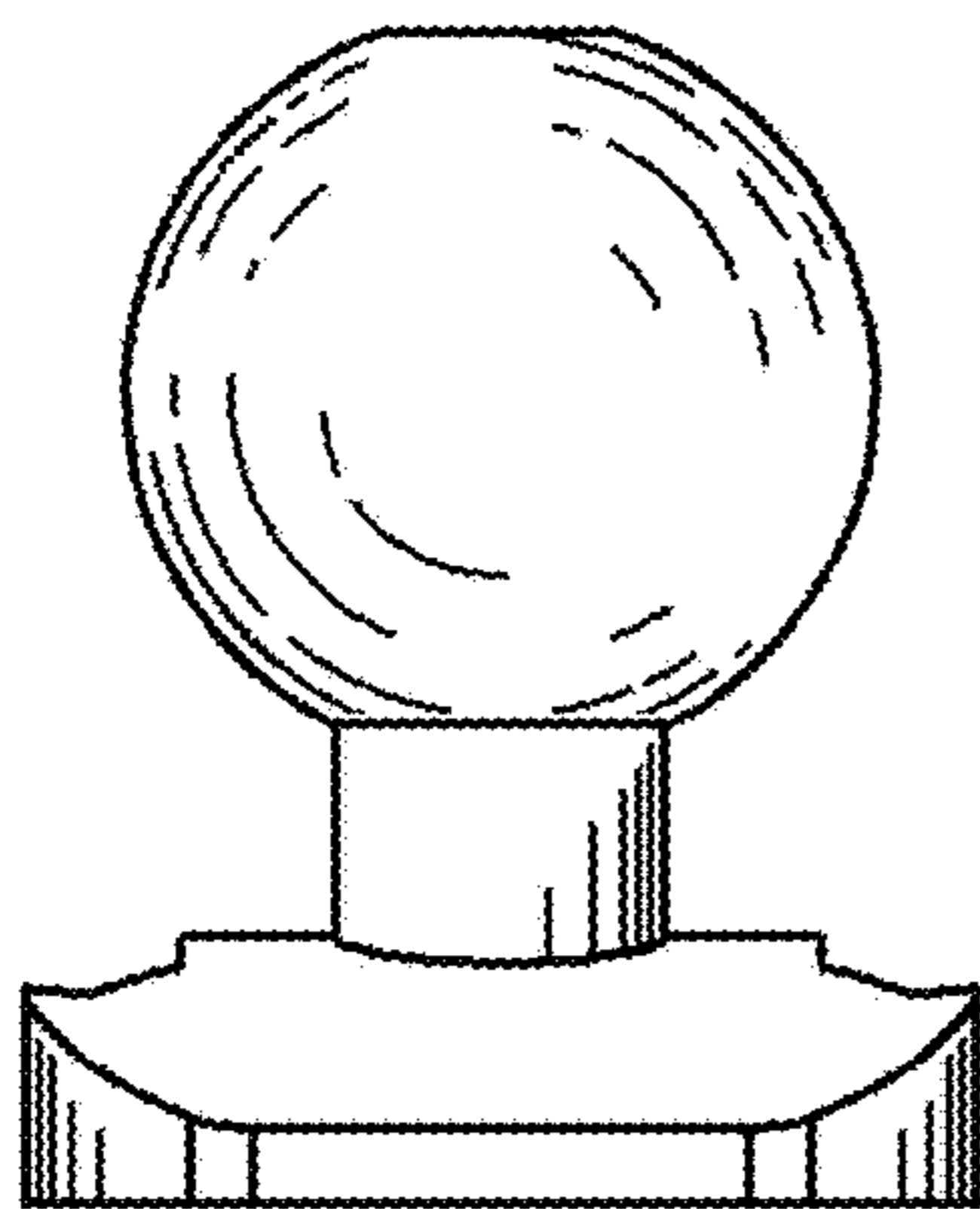


Fig. 6

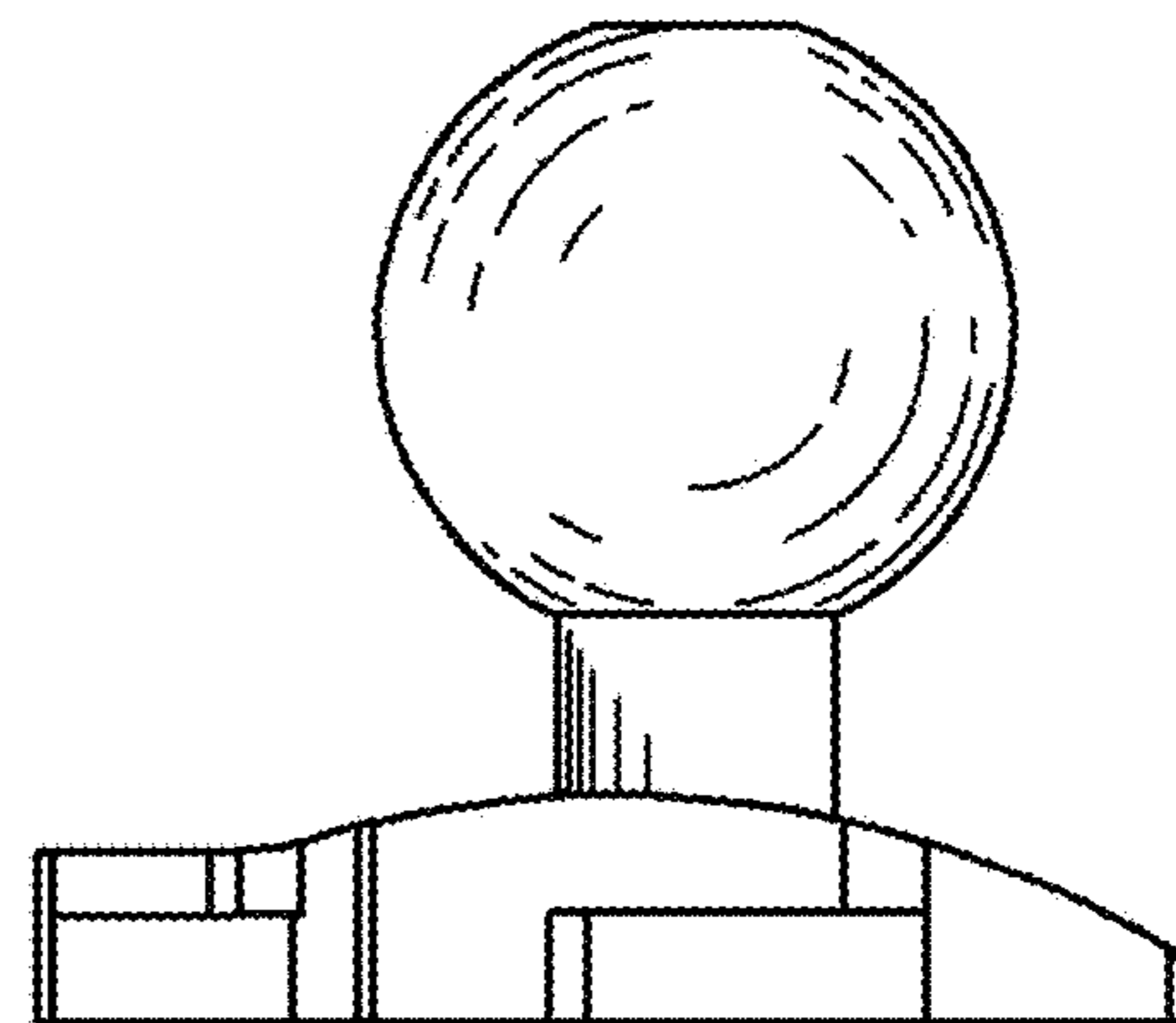


Fig. 8

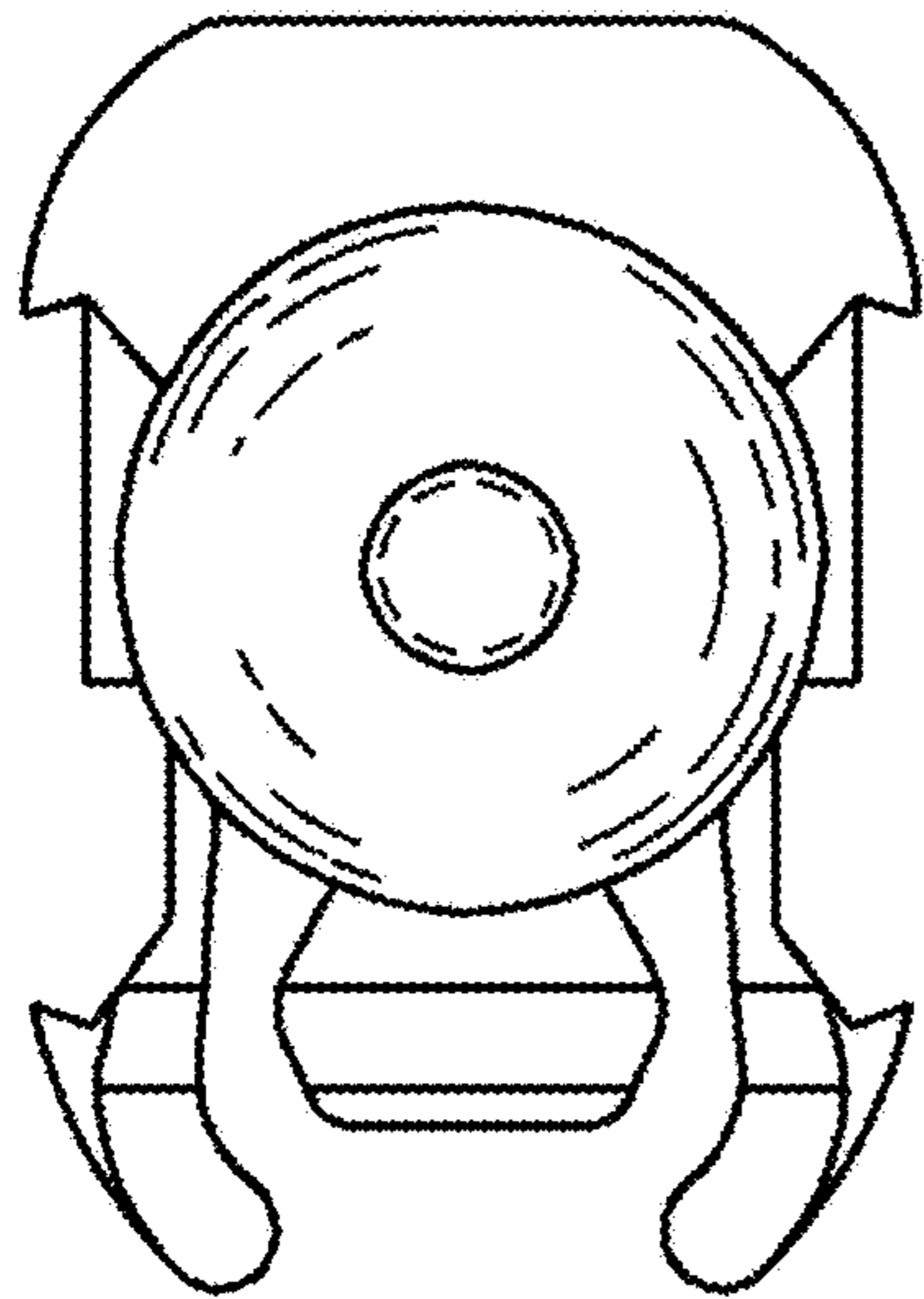


Fig. 9

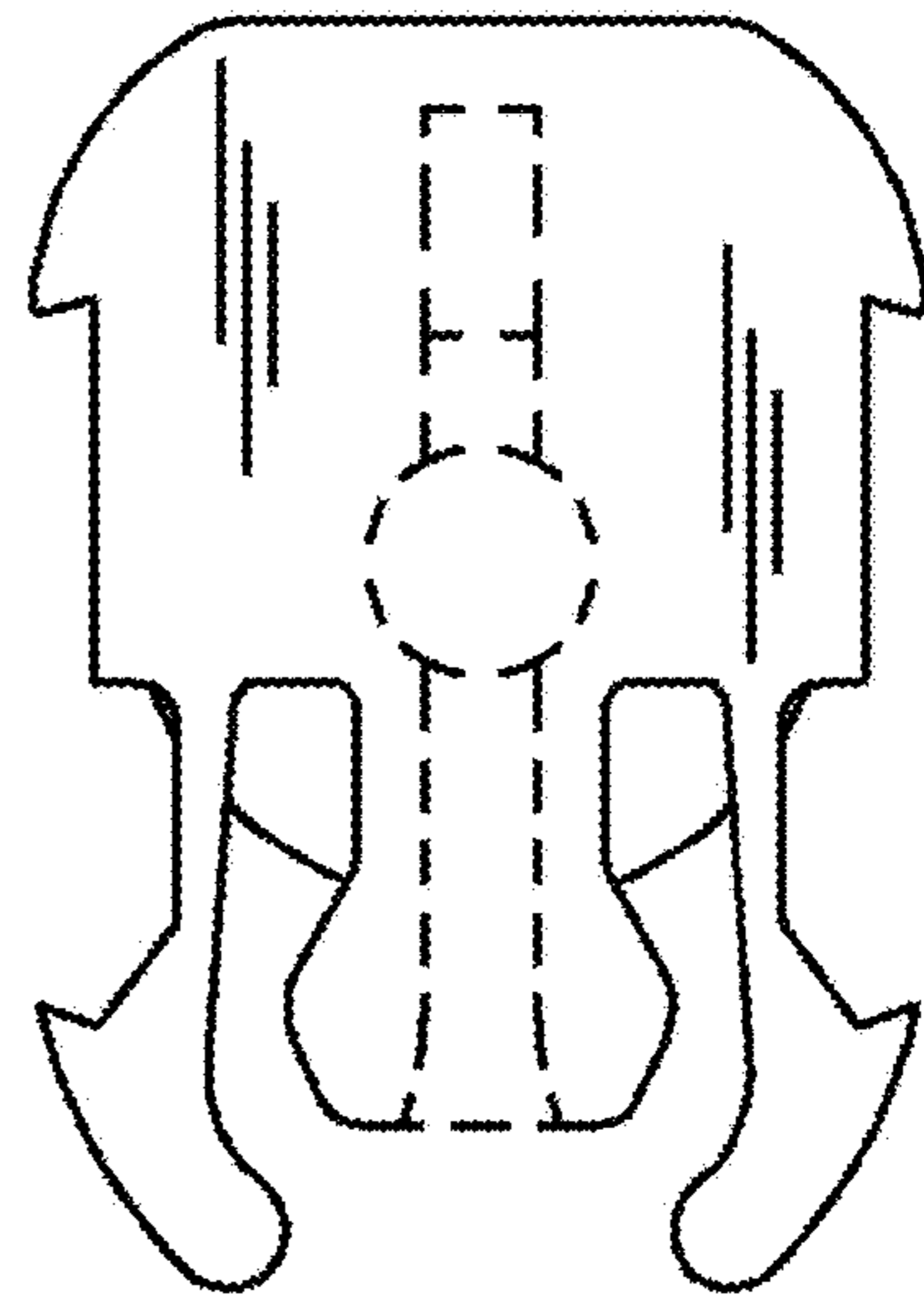


Fig. 10