



US00D814548S

(12) **United States Design Patent**  
**Howell et al.**

(10) **Patent No.:** **US D814,548 S**  
(45) **Date of Patent:** **\*\* Apr. 3, 2018**

(54) **CAPTURE DEVICE**

(71) Applicant: **GEMALTO SA**, Meudon (FR)  
(72) Inventors: **Brett A. Howell**, Ramsey, MN (US);  
**Brian L. Linzie**, Stillwater, MN (US)

(73) Assignee: **GEMALTO SA**, Meudon (FR)

(\*\*) Term: **15 Years**

(21) Appl. No.: **29/574,067**

(22) Filed: **Aug. 11, 2016**

(51) **LOC (11) Cl.** ..... **16-02**

(52) **U.S. Cl.**  
USPC ..... **D16/232**; D14/384

(58) **Field of Classification Search**  
USPC ..... D16/135, 136, 200, 221, 232, 235, 236;  
D14/383, 384; D18/4.4-4.6, 12.1, 56, 40;  
D3/201, 273; 235/380, 461, 383, 472.01,  
235/472.02; 356/71; 382/115, 124;  
353/DIG. 5  
CPC .. G06K 9/00; G06K 9/00006; G06K 9/00026;  
G06F 21/00; G06Q 30/00; G03B 3/00;  
G03B 7/00; G03B 11/00; G03B 21/00;  
G03B 21/132; G06E 1/00; Y10S 353/00;  
Y10S 353/05

See application file for complete search history.

(56) **References Cited**

**U.S. PATENT DOCUMENTS**

D487,266 S \* 3/2004 Morimiya ..... D14/384  
D508,247 S \* 8/2005 Fisher ..... 382/124

D573,627 S \* 7/2008 Macura ..... D16/221  
7,792,337 B2 9/2010 Higuchi  
D645,489 S \* 9/2011 Gille ..... D16/135  
D801,971 S \* 11/2017 Howell ..... D14/384  
D801,972 S \* 11/2017 Howell ..... D14/384  
2009/0204010 A1 8/2009 Mochizuki

\* cited by examiner

*Primary Examiner* — Wan Laymon

*Assistant Examiner* — Clint A Samuel

(74) *Attorney, Agent, or Firm* — The Jansson Firm; Pehr  
B. Jansson

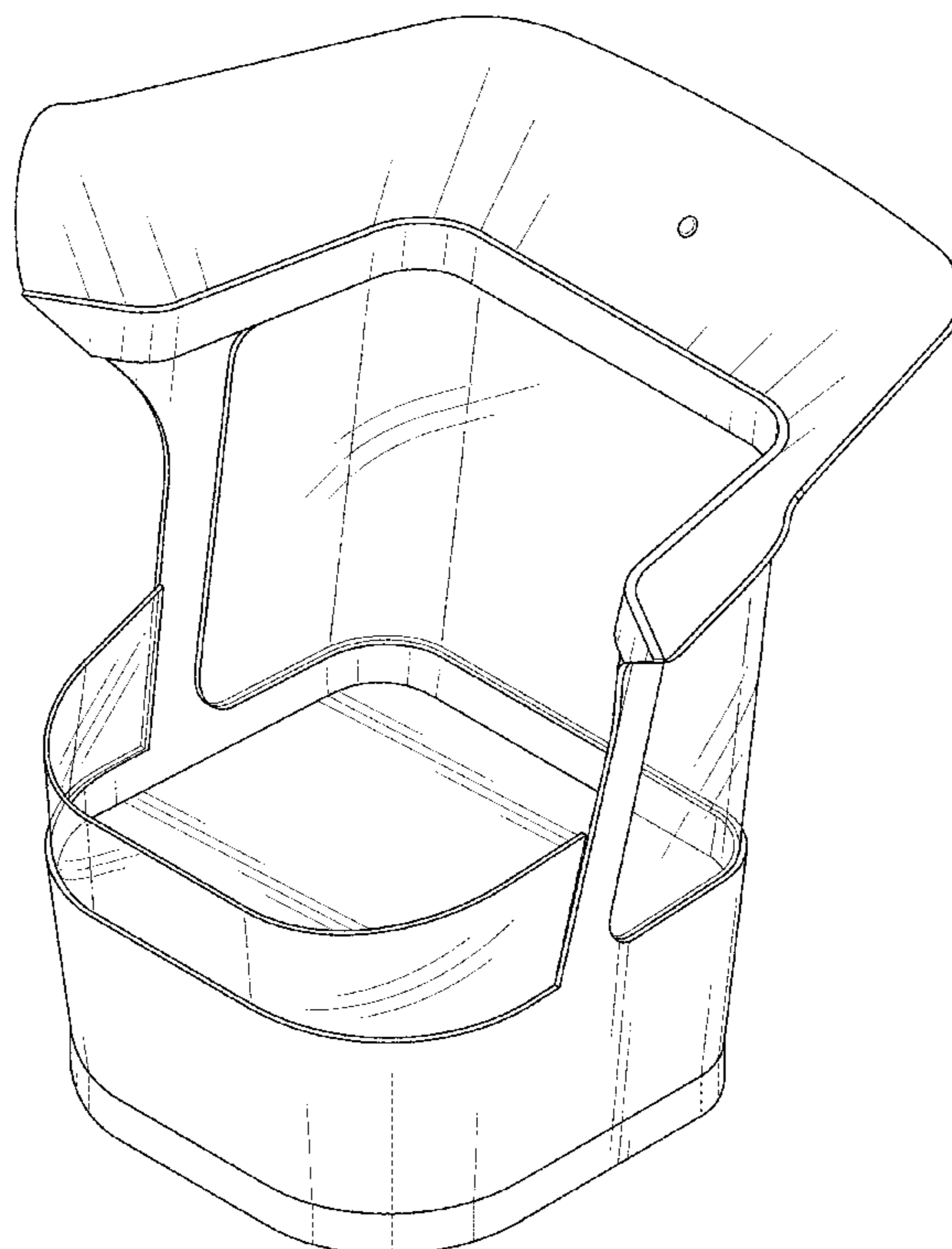
(57) **CLAIM**

The ornamental design for a capture device, as shown and described.

**DESCRIPTION**

FIG. 1 is a perspective view showing the new design for a capture device;  
FIG. 2 is a front view thereof;  
FIG. 3 is a rear view thereof;  
FIG. 4 is a right side view thereof, the left size being a mirror image thereof;  
FIG. 5 is a top view thereof; and,  
FIG. 6 is a bottom view thereof.  
The surface shading illustrated in the drawings is provided merely to highlight the contour of design; it is not intended to be illustrative of texture or gloss.

**1 Claim, 5 Drawing Sheets**



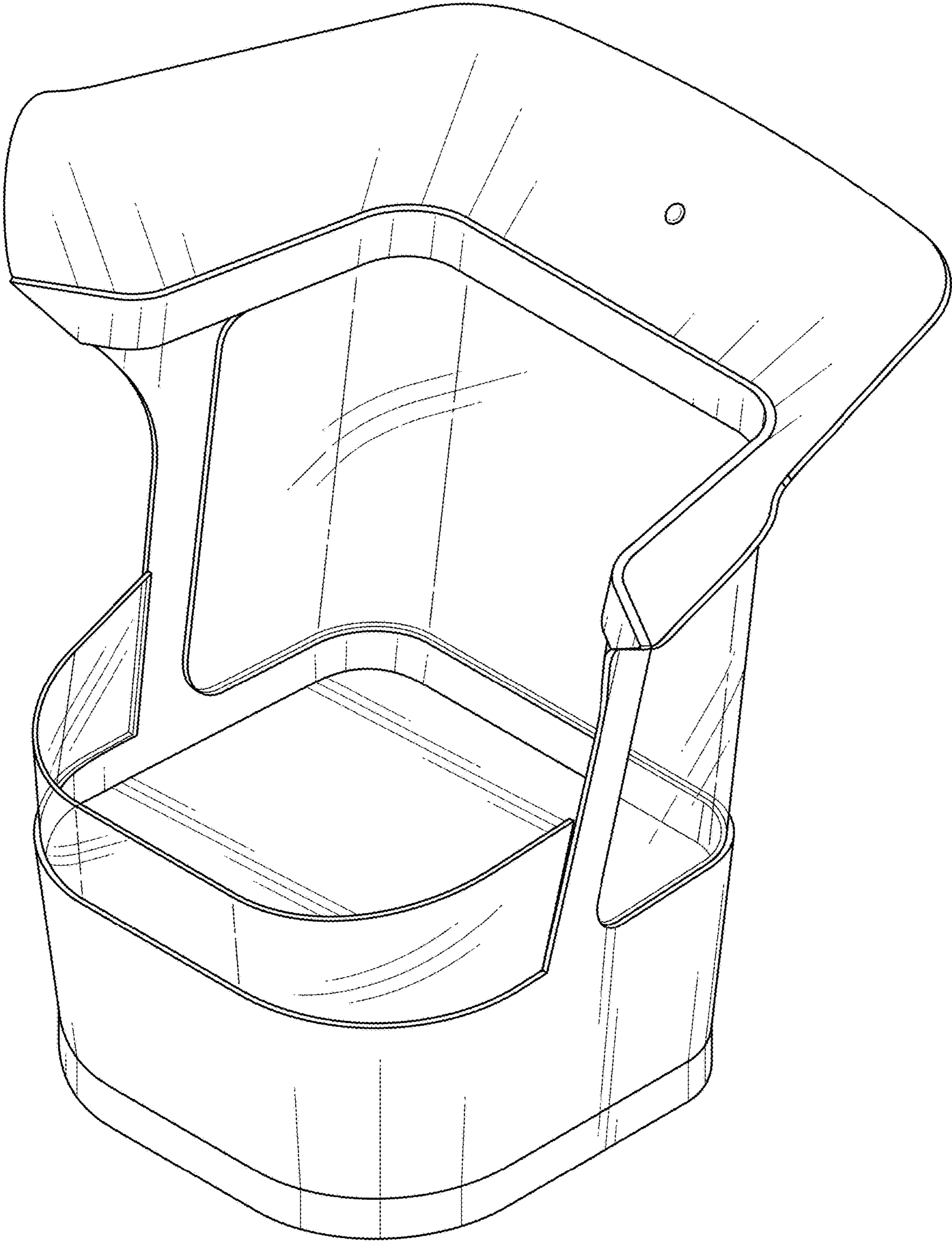


FIG. 1

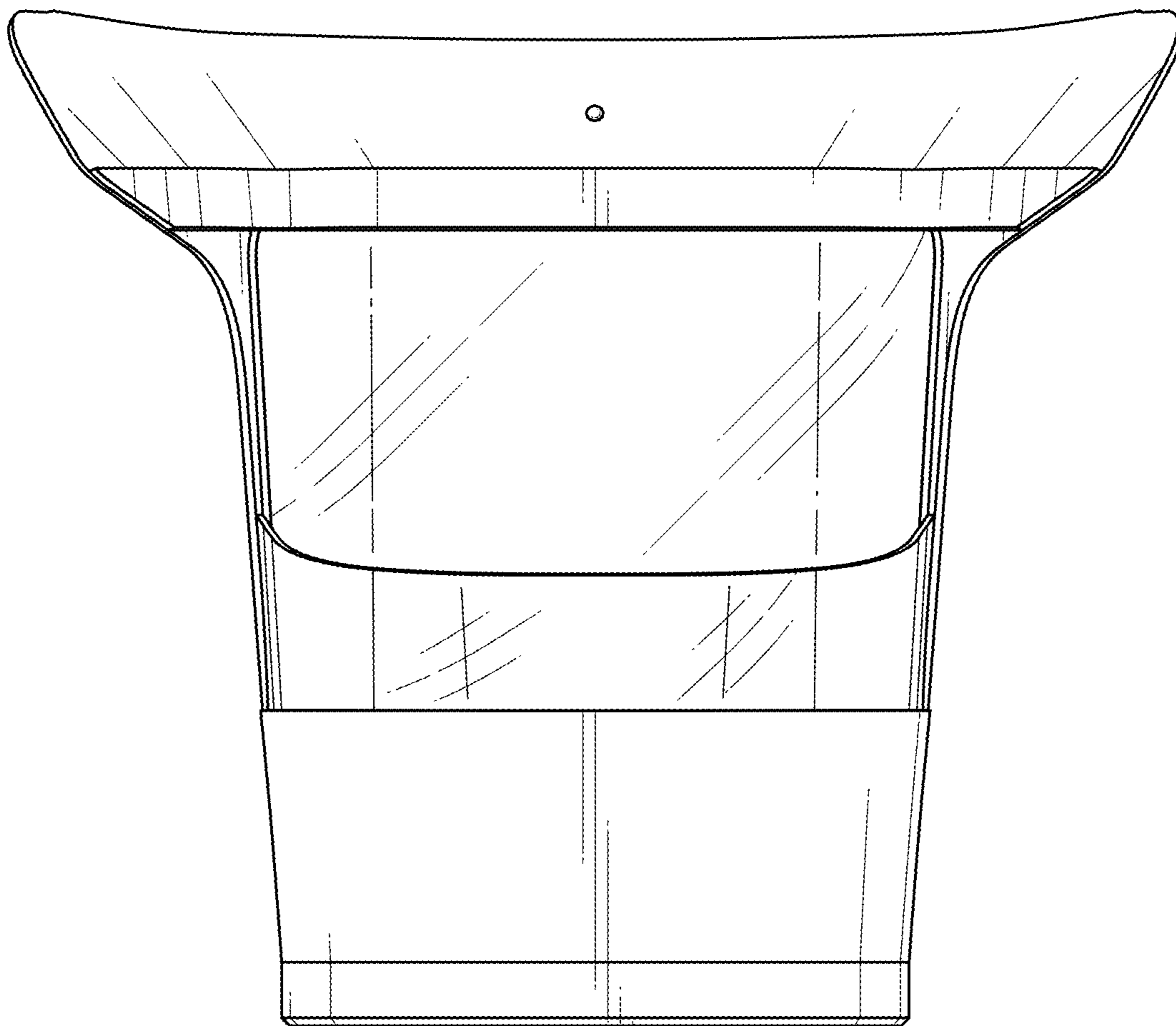


FIG. 2

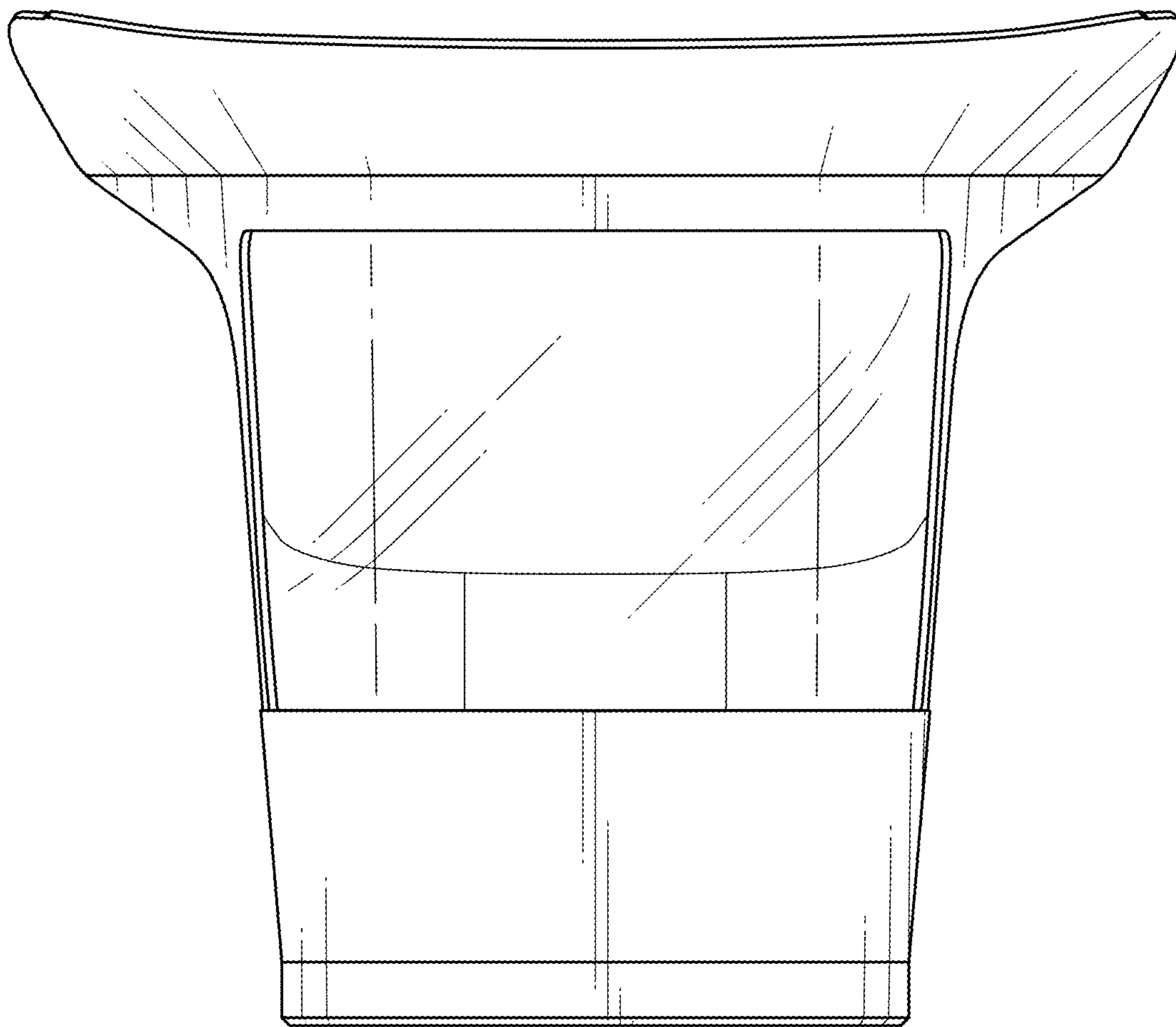


FIG. 3

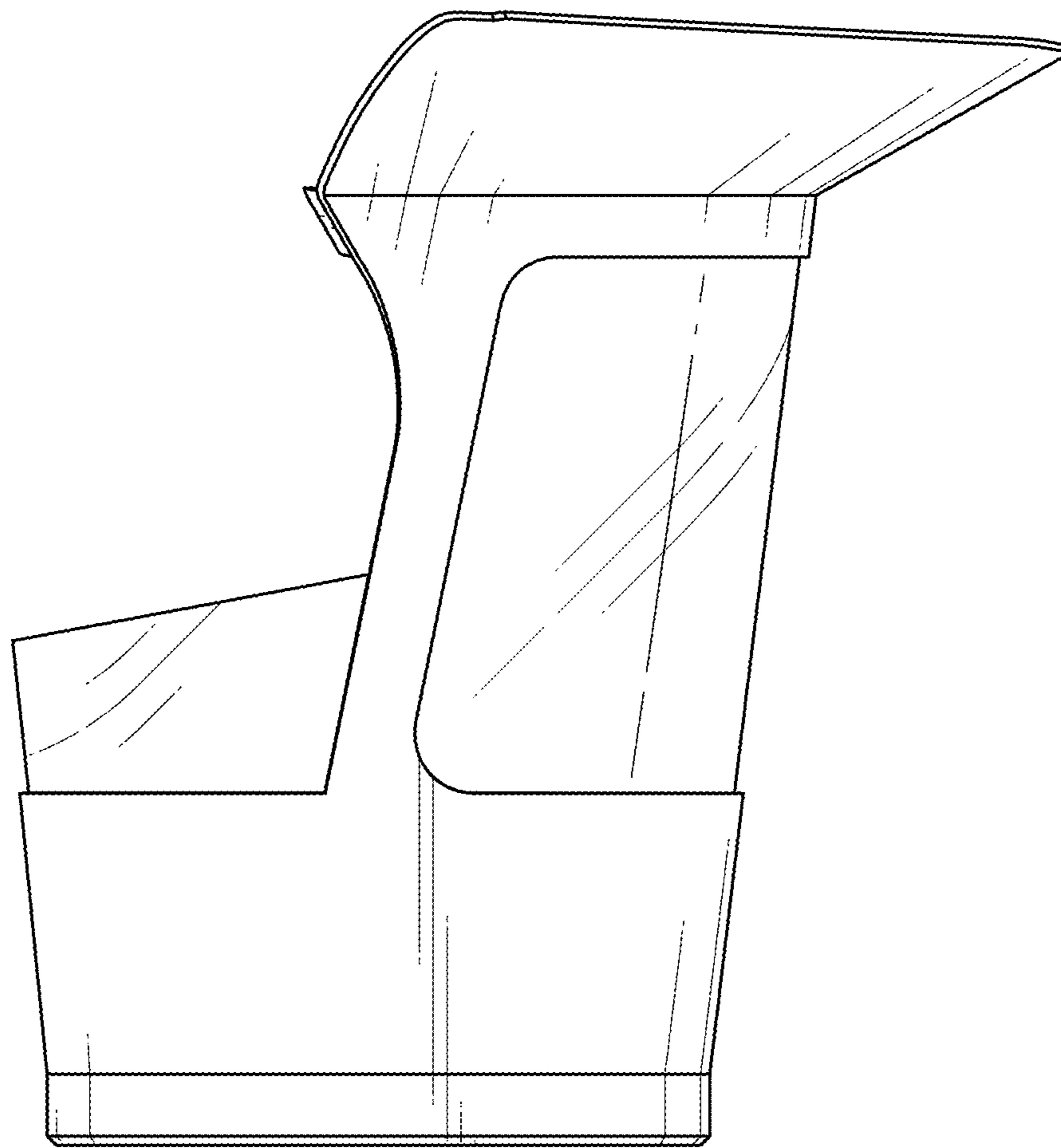


FIG. 4

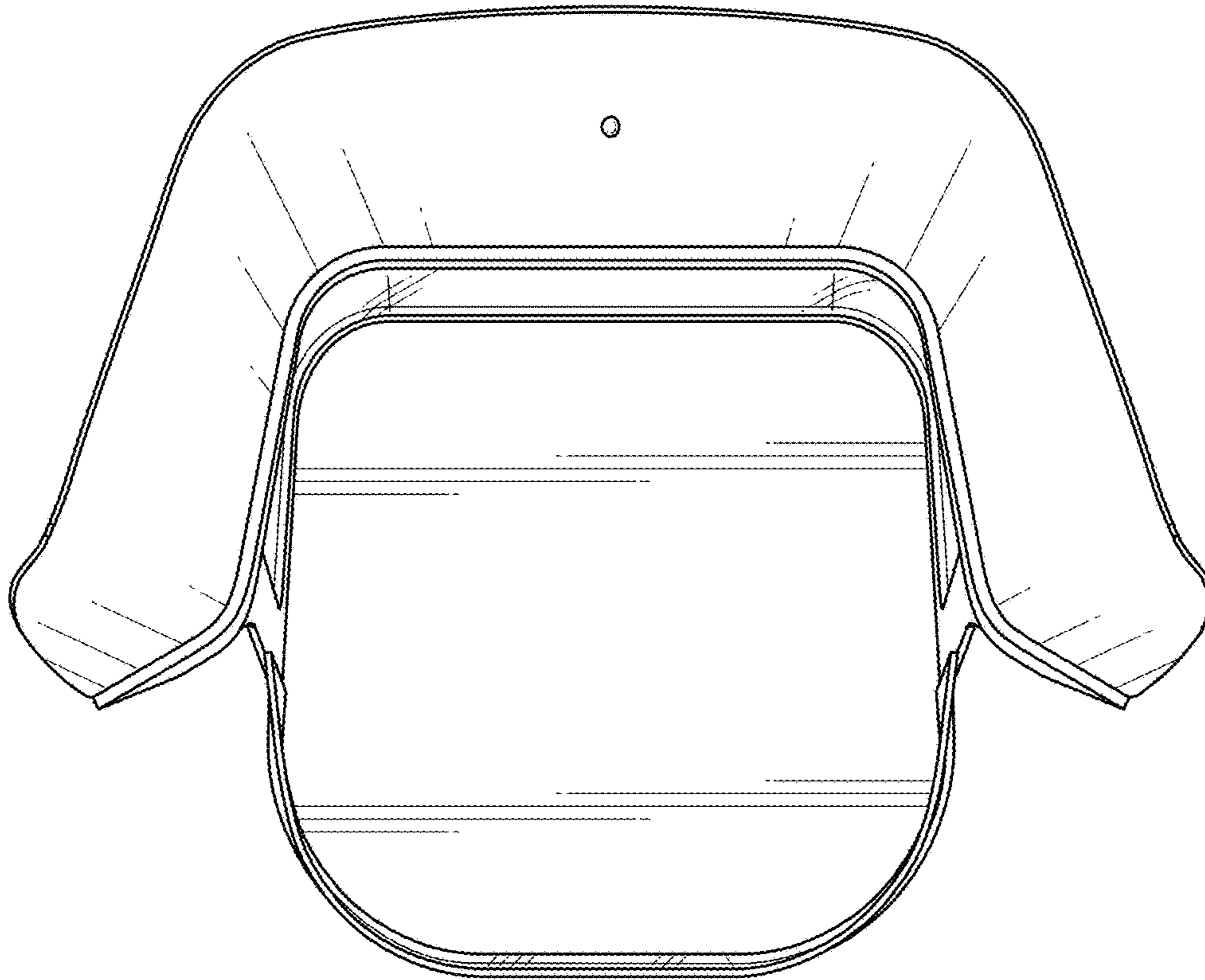


FIG. 5

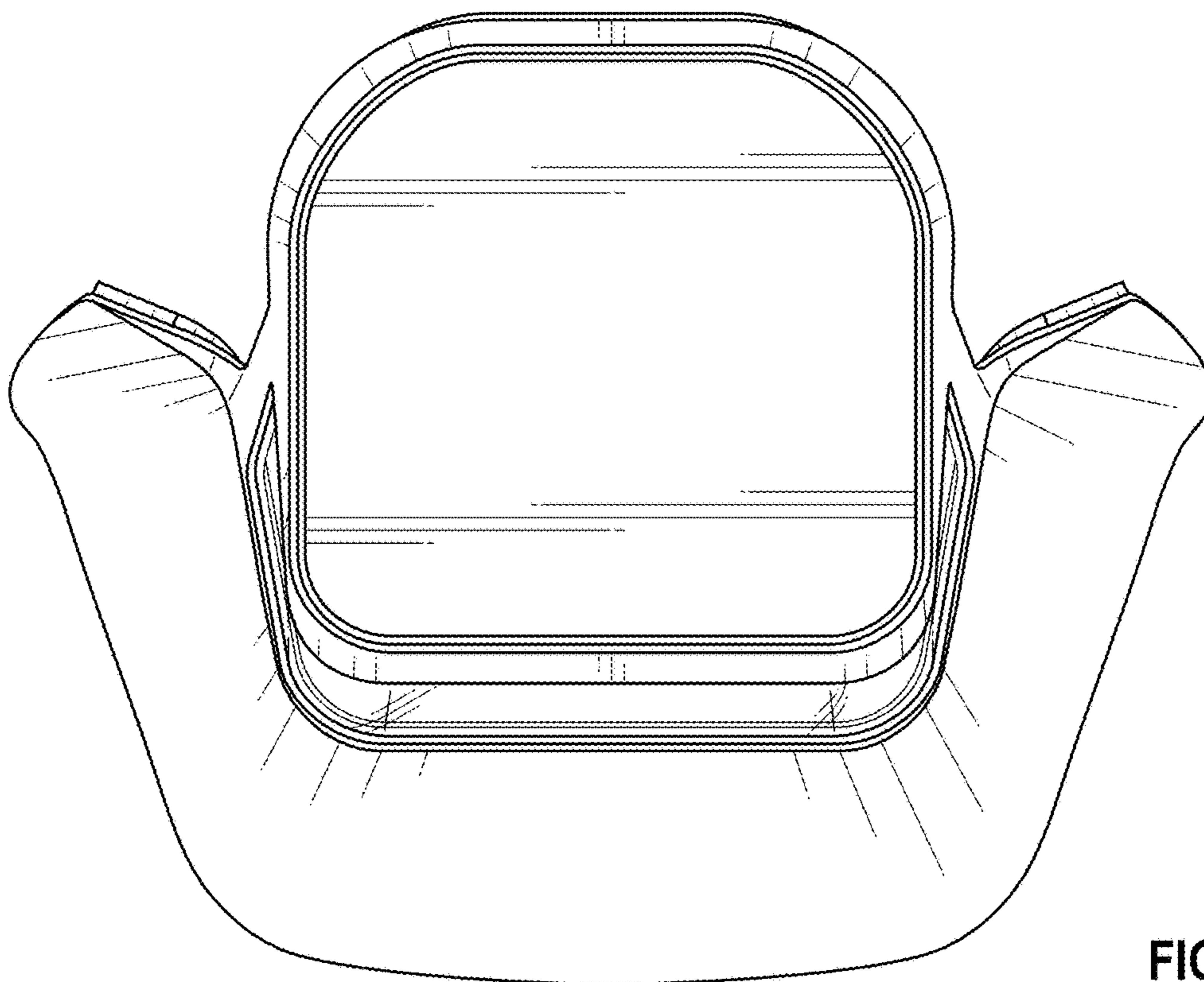


FIG. 6