



US00D814547S

(12) **United States Design Patent**
Kondou

(10) **Patent No.:** **US D814,547 S**
(45) **Date of Patent:** **** Apr. 3, 2018**

(54) **SURVEILLANCE CAMERA**

(71) Applicant: **Panasonic Intellectual Property Management Co., Ltd.**, Osaka-shi, Osaka (JP)

(72) Inventor: **Masayoshi Kondou**, Fukuoka (JP)

(73) Assignee: **PANASONIC INTELLECTUAL PROPERTY MANAGEMENT CO., LTD.**, Osaka (JP)

(**) Term: **15 Years**

(21) Appl. No.: **29/538,304**

(22) Filed: **Sep. 2, 2015**

(30) **Foreign Application Priority Data**

Mar. 19, 2015 (JP) 2015-005908

(51) **LOC (11) Cl.** **16-05**

(52) **U.S. Cl.**
USPC **D16/219**

(58) **Field of Classification Search**
USPC D16/200, 202-206, 208, 218, 219;
348/373-376; 396/535, 539-541
CPC G03B 15/03; G03B 17/02; G03B 17/04;
G03B 17/56; G03B 19/04; H04N 5/2251;
H04N 5/2252; H04N 5/2253; H04N
5/2254; H04N 2101/00

See application file for complete search history.

(56) **References Cited**

U.S. PATENT DOCUMENTS

4,392,102 A * 7/1983 Sugalski G01K 11/165
116/216
5,779,500 A * 7/1998 Tokuwa H01R 13/743
439/544

D547,462 S * 7/2007 Petta D25/122
D554,171 S * 10/2007 Deng D16/203
D581,224 S * 11/2008 Vendl D7/675
D637,640 S * 5/2011 Park D16/203
D697,123 S 1/2014 Takahashi et al.
D715,845 S 10/2014 Takahashi et al.
D753,207 S * 4/2016 Katori D16/203
D776,739 S * 1/2017 Urashima D16/203
D784,435 S * 4/2017 Katori D16/203
2011/0181771 A1* 7/2011 Hazama G03B 15/05
348/371
2012/0227637 A1* 9/2012 Meadows A47B 23/00
108/28

* cited by examiner

Primary Examiner — Philip S Hyder
Assistant Examiner — Ramzi Almatrahi
(74) *Attorney, Agent, or Firm* — Brinks Gilson & Lione

(57) **CLAIM**

I claim the ornamental design for a surveillance camera, as shown and described.

DESCRIPTION

FIG. 1 is a front and top perspective view of a surveillance camera of the present invention;
FIG. 2 is a front view thereof;
FIG. 3 is a rear view thereof;
FIG. 4 is a top view thereof;
FIG. 5 is a bottom view thereof;
FIG. 6 is a first side view thereof; and,
FIG. 7 is a second side view thereof.
The broken lines depict portions of the surveillance camera in which the design is embodied that form no part of the claimed design.

1 Claim, 7 Drawing Sheets

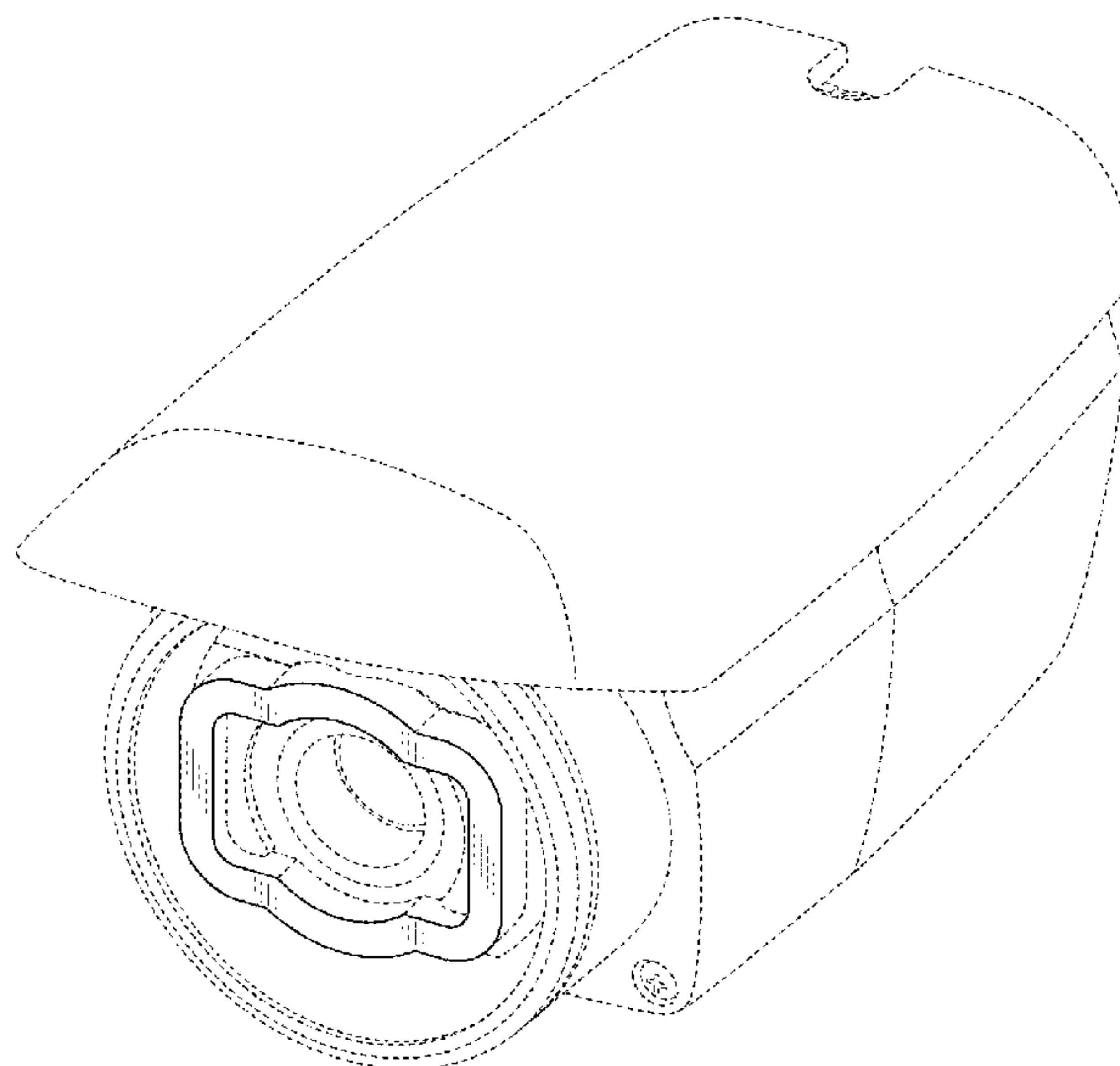


FIG. 1

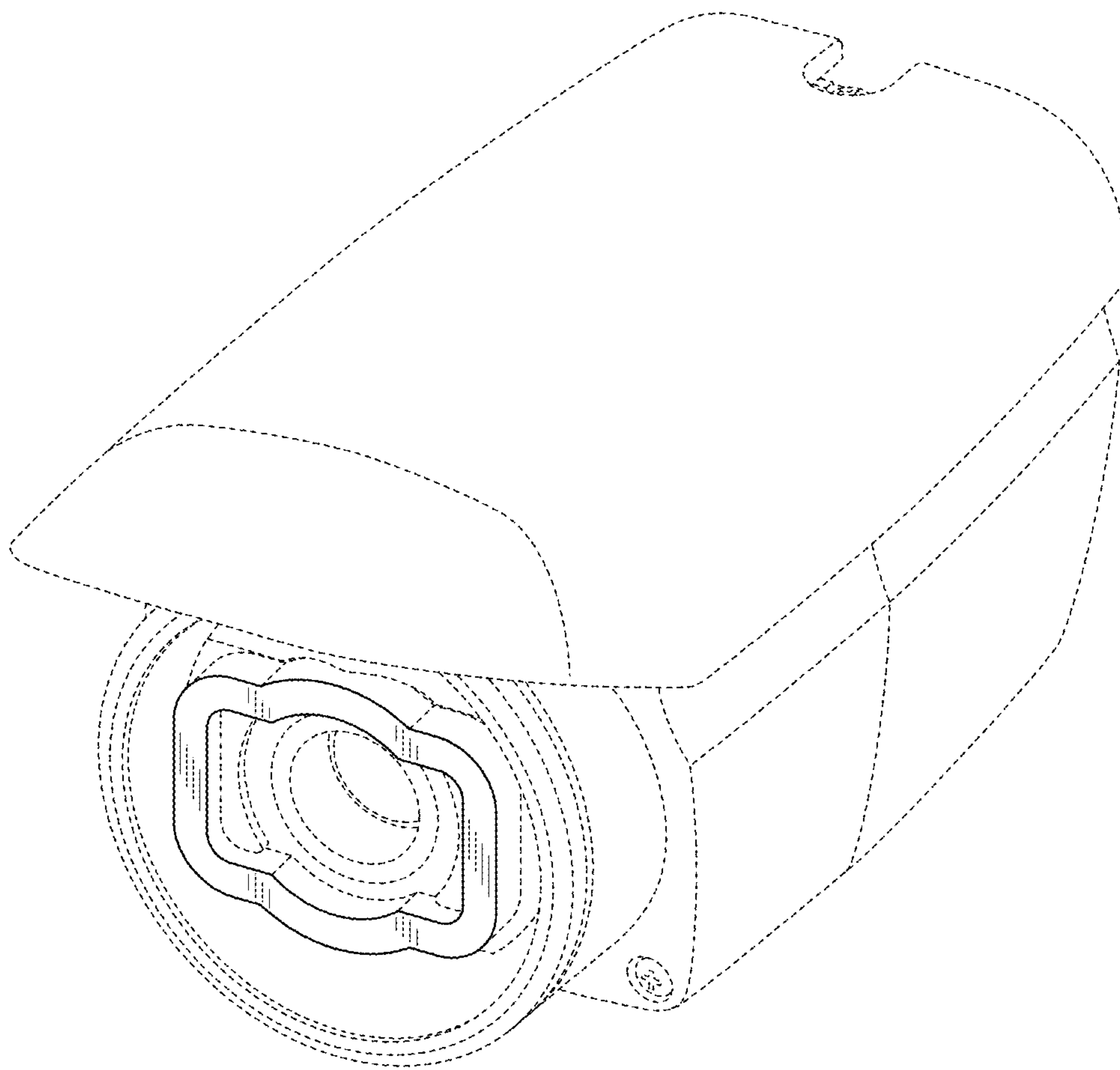


FIG.2

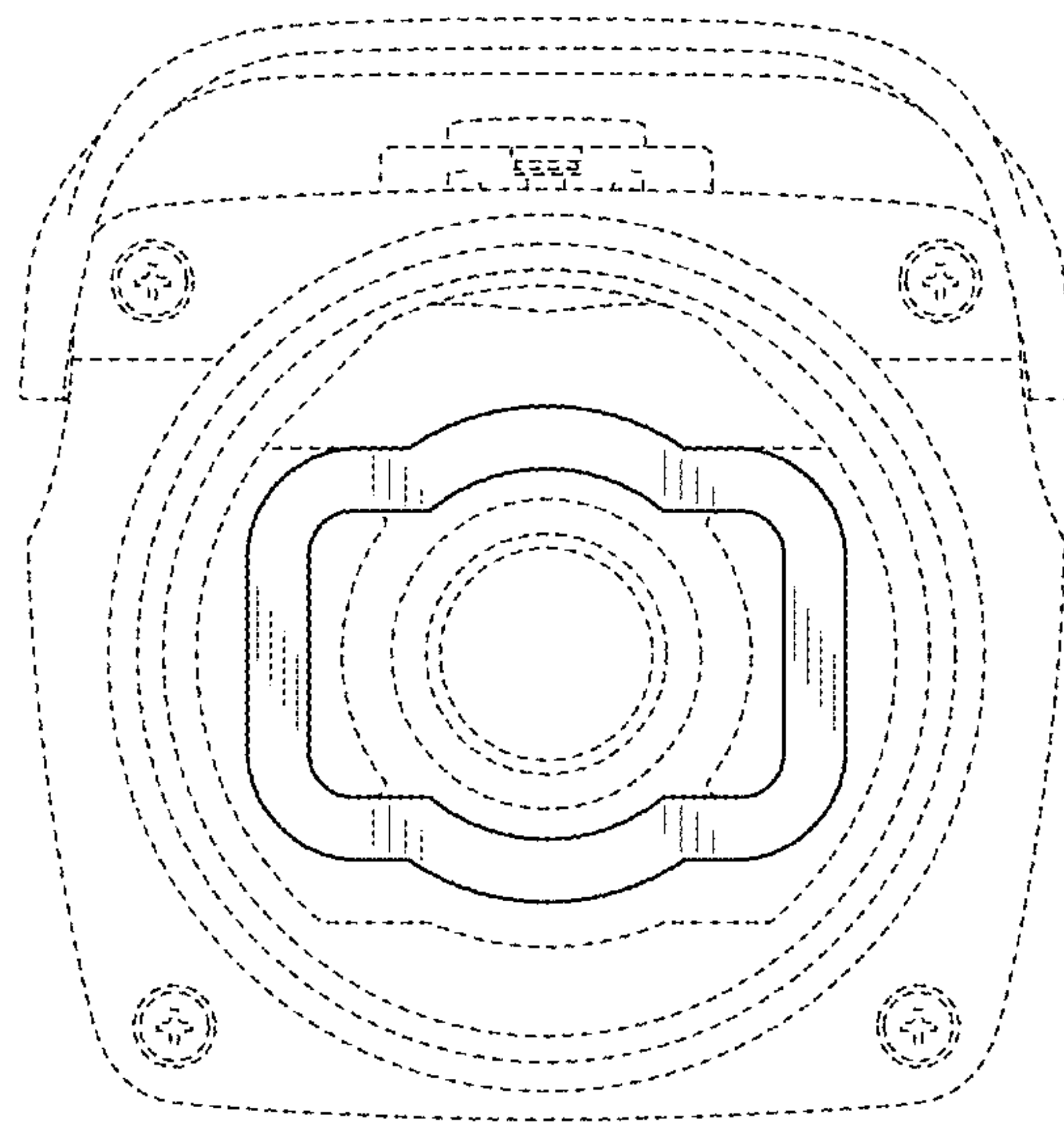


FIG.3

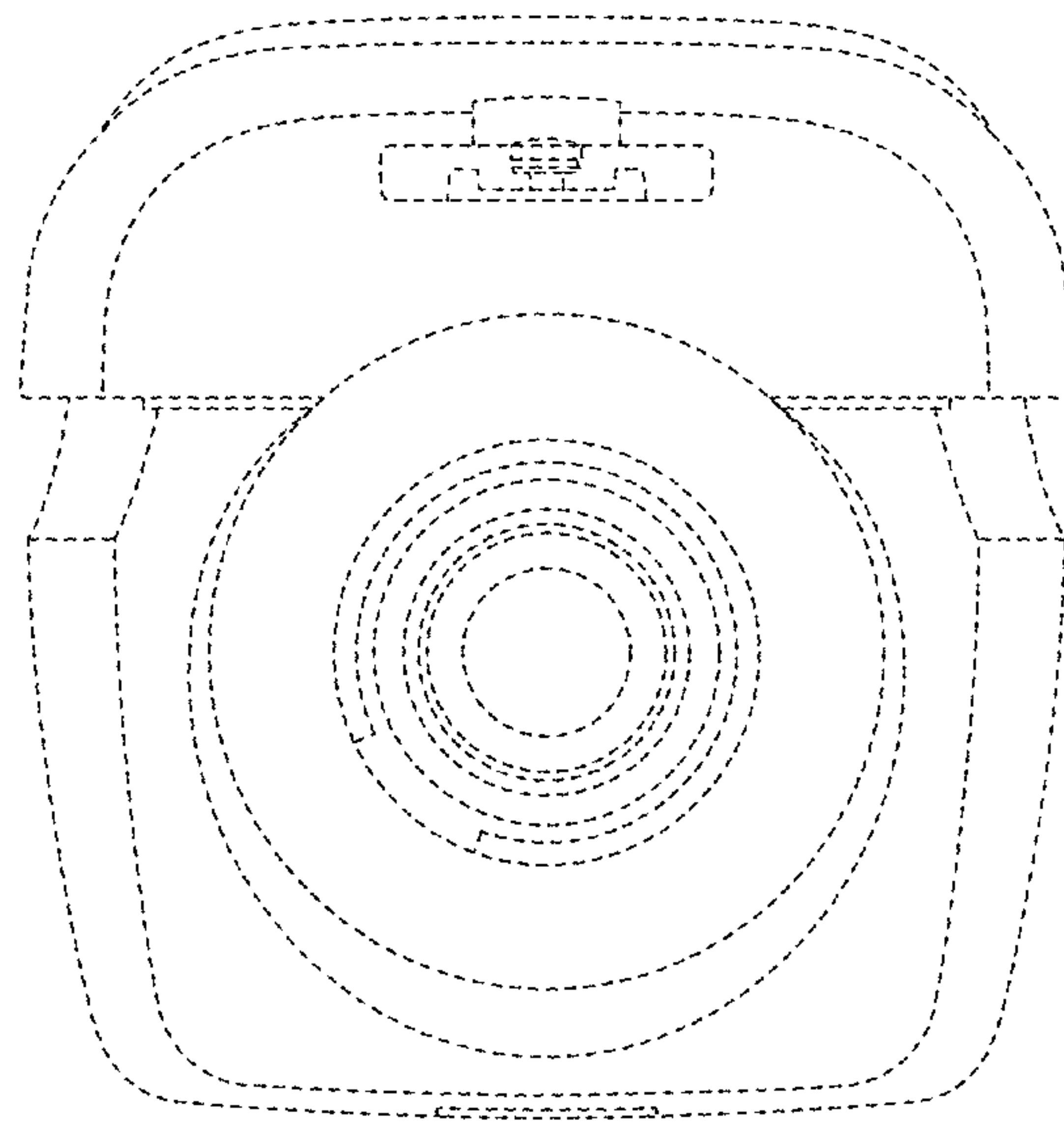


FIG.4

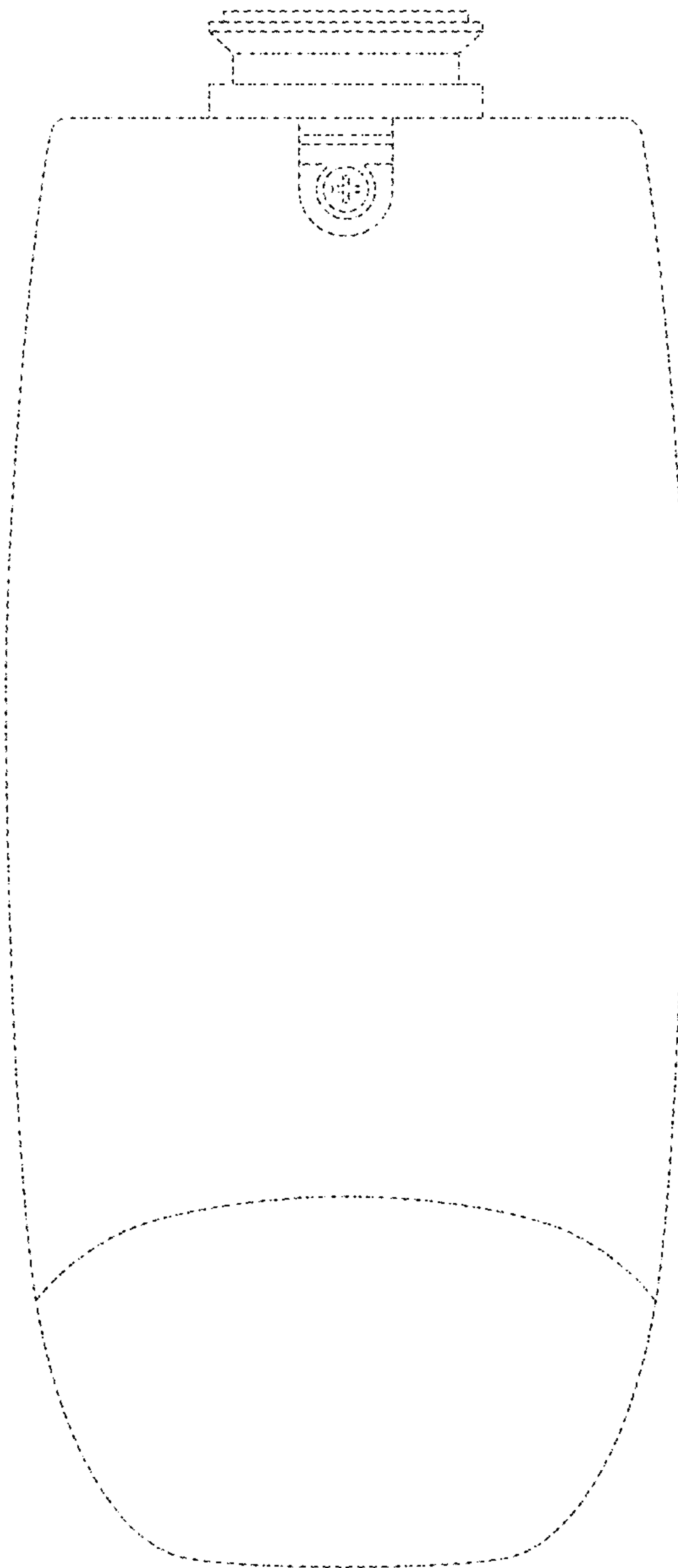


FIG.5

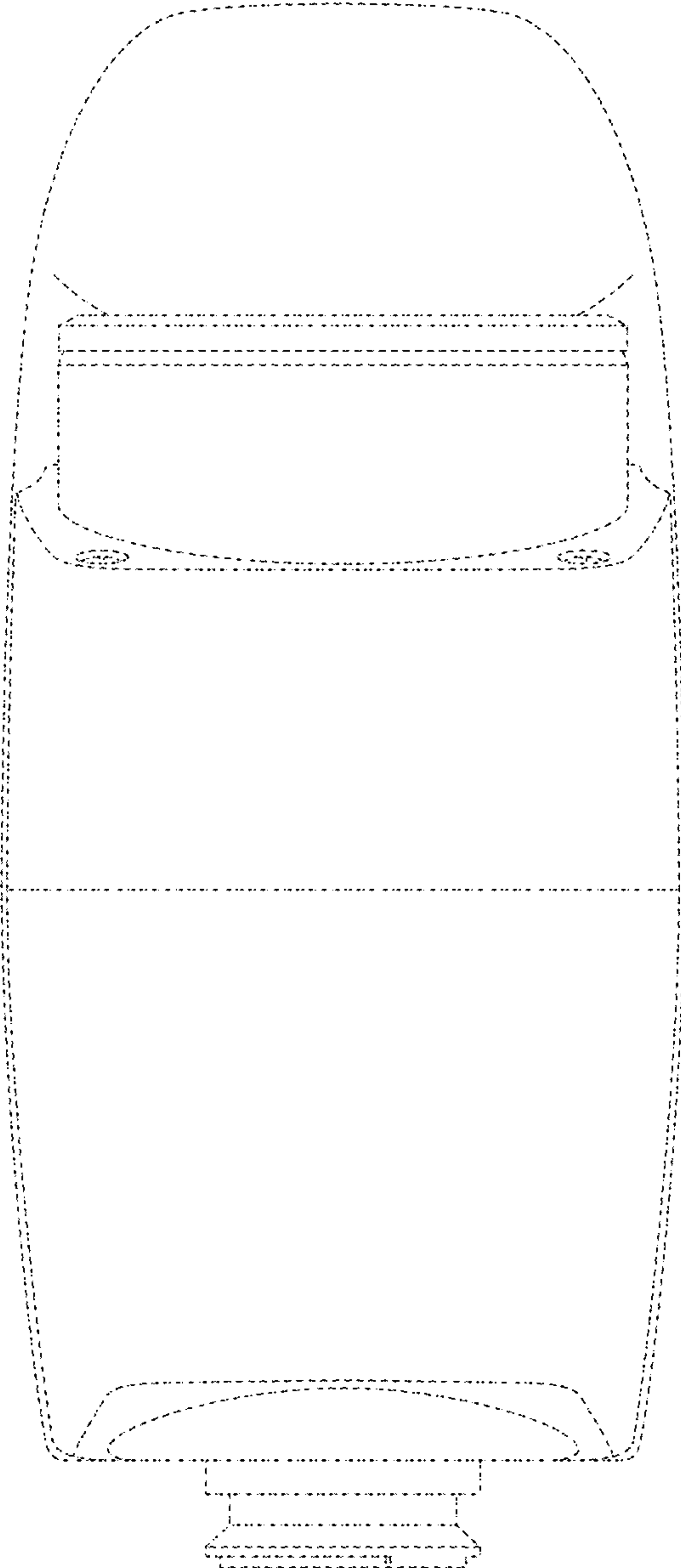


FIG.6

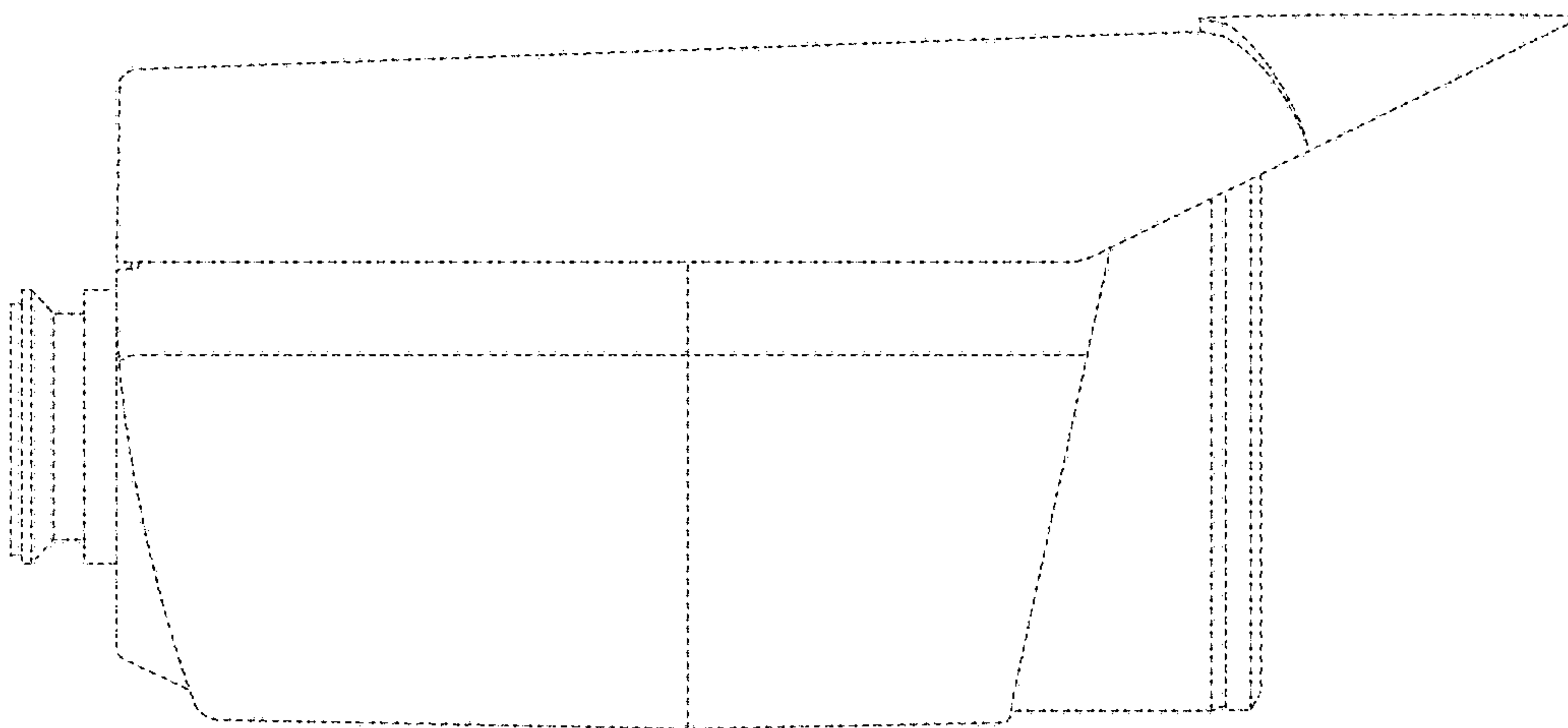


FIG.7

