



US00D814545S

(12) **United States Design Patent**
Kim et al.

(10) **Patent No.:** **US D814,545 S**

(45) **Date of Patent:** **** Apr. 3, 2018**

(54) **HANDLE FOR CAMERA OR THE LIKE**

(71) Applicant: **SZ DJI Osmo Technology Co., Ltd.**,
Shenzhen (CN)

(72) Inventors: **Min Kim**, Shenzhen (CN); **Zhen Wang**,
Shenzhen (CN); **Haibin Zheng**, Shenzhen (CN)

(73) Assignee: **SZ DJI Osmo Technology Co., Ltd.**,
Shenzhen (CN)

(**) Term: **15 Years**

(21) Appl. No.: **29/575,754**

(22) Filed: **Aug. 29, 2016**

Related U.S. Application Data

(63) Continuation of application No. 29/540,667, filed on
Sep. 25, 2015.

(51) **LOC (11) Cl.** **16-01**

(52) **U.S. Cl.**

USPC **D16/206**

(58) **Field of Classification Search**

USPC D16/200, 202–206, 208, 211, 214, 218,
D16/219, 237, 242, 244; D14/130, 132,
D14/144; D10/104.1, 104.2, 106.1,
D10/106.2, 106.5; 348/164, 347,
348/373–376; 396/535, 539–541;
250/330, 332

CPC G03B 15/00; G03B 15/03; G03B 17/02;
G03B 17/04; G03B 17/56; G03B 19/04;
H04N 5/2251; H04N 5/2252; H04N
5/2253; H04N 5/2254; H04N 2101/00;
F16M 11/04; F16M 13/00

See application file for complete search history.

(56) **References Cited**

U.S. PATENT DOCUMENTS

D590,867 S * 4/2009 Schenone D16/206
8,274,273 B2 * 9/2012 Nguyen H01M 2/1055
173/170

D694,802 S * 12/2013 Coyle D16/237
8,770,539 B1 * 7/2014 Hsu B60R 11/0241
248/126

D710,424 S * 8/2014 Hallgren D16/206
9,264,599 B2 * 2/2016 Reid F16M 11/00
D754,242 S * 4/2016 Wang D16/242
D771,733 S * 11/2016 Wang D16/242
D779,579 S * 2/2017 Anari, III D16/242

(Continued)

FOREIGN PATENT DOCUMENTS

CN 302937676 9/2014
CN 302982638 10/2014

(Continued)

Primary Examiner — Philip S Hyder

Assistant Examiner — Ramzi Almatrahi

(74) *Attorney, Agent, or Firm* — Sterne, Kessler,
Goldstein & Fox P.L.L.C.

(57) **CLAIM**

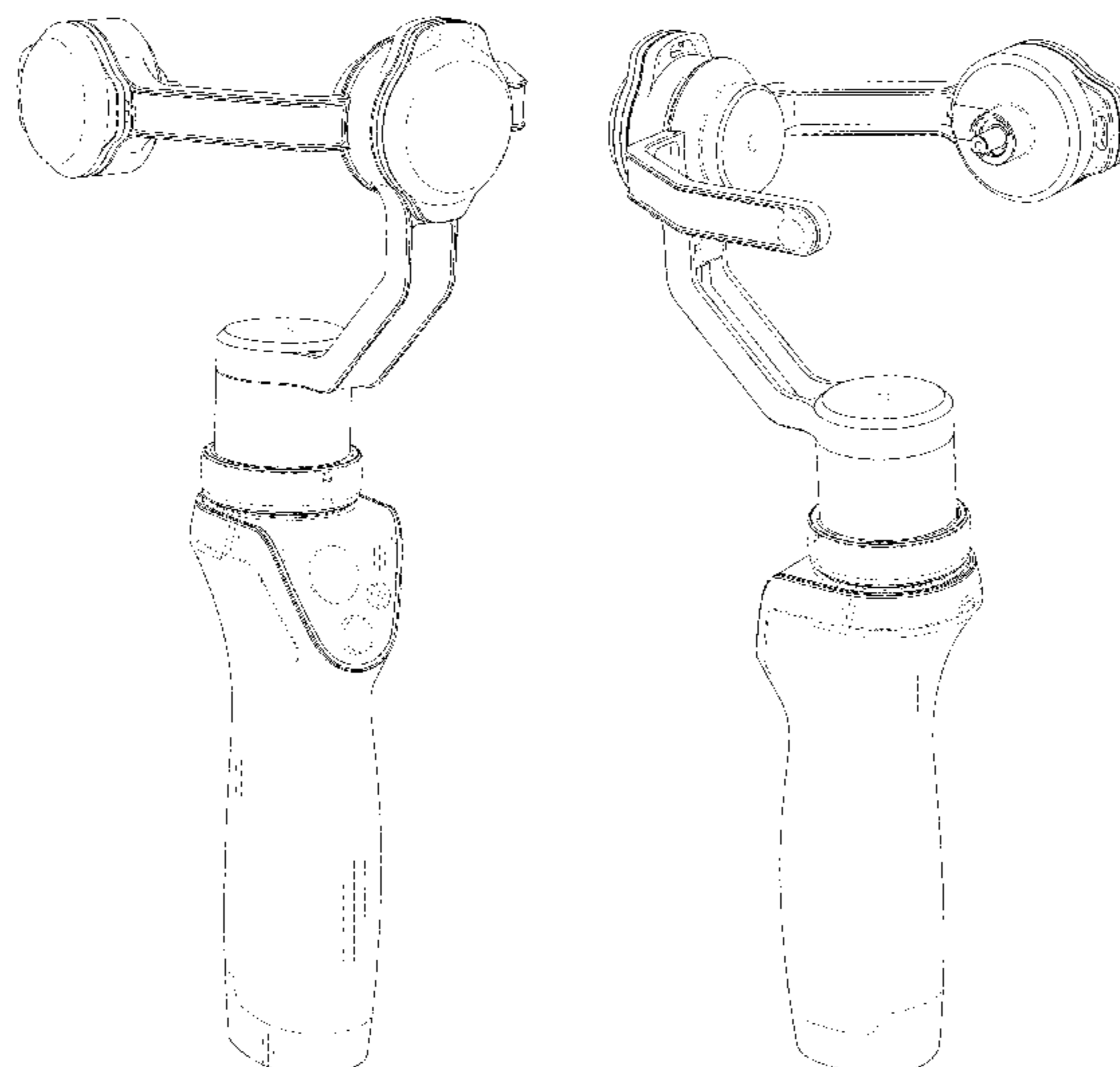
The ornamental design for a handle for camera or the like,
as shown and described.

DESCRIPTION

FIG. 1 is a front perspective view of a handle for camera or
the like showing the claimed design;
FIG. 2 is a rear perspective view thereof;
FIG. 3 is a front view thereof;
FIG. 4 is a rear view thereof;
FIG. 5 is a left side view thereof;
FIG. 6 is a right side view thereof;
FIG. 7 is a top thereof; and,
FIG. 8 is a bottom view thereof.

The broken lines in the figures show portions of the handle
for camera or the like that form no part of the claimed
design.

1 Claim, 8 Drawing Sheets



(56)

References Cited

U.S. PATENT DOCUMENTS

D779,580 S * 2/2017 Jia D16/237
D780,245 S * 2/2017 Ruback D16/206
D781,950 S * 3/2017 Weisz D16/235
2016/0381271 A1* 12/2016 Cheng F16M 11/041
348/208.2

FOREIGN PATENT DOCUMENTS

CN 303059899 12/2014
CN 303127592 3/2015
CN 303288709 7/2015
CN 303320444 8/2015
CN 303320450 8/2015
CN 303330212 8/2015
CN 303348678 8/2015
CN 303348679 8/2015
JP D1430287 12/2011
JP D1507590 9/2014

* cited by examiner

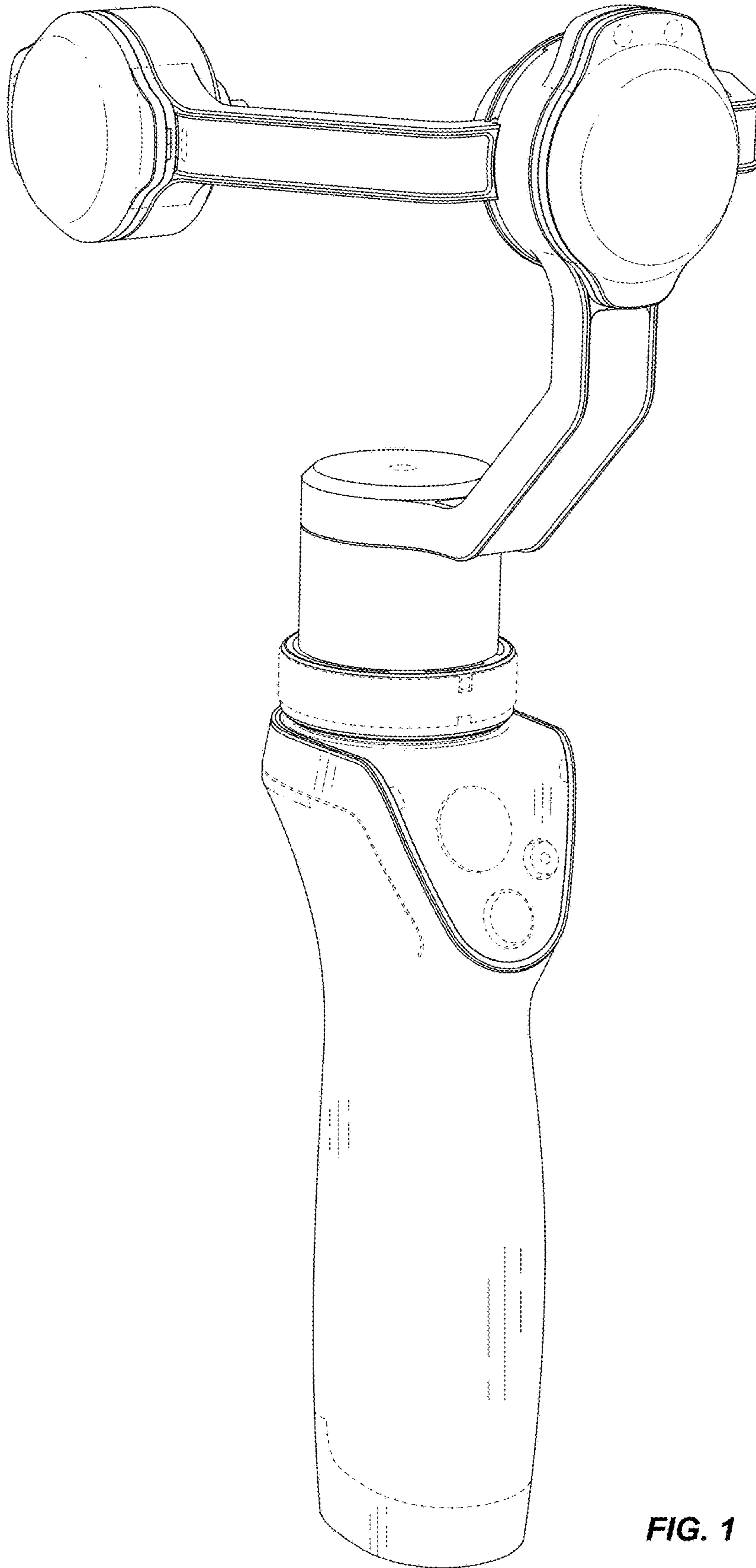


FIG. 1

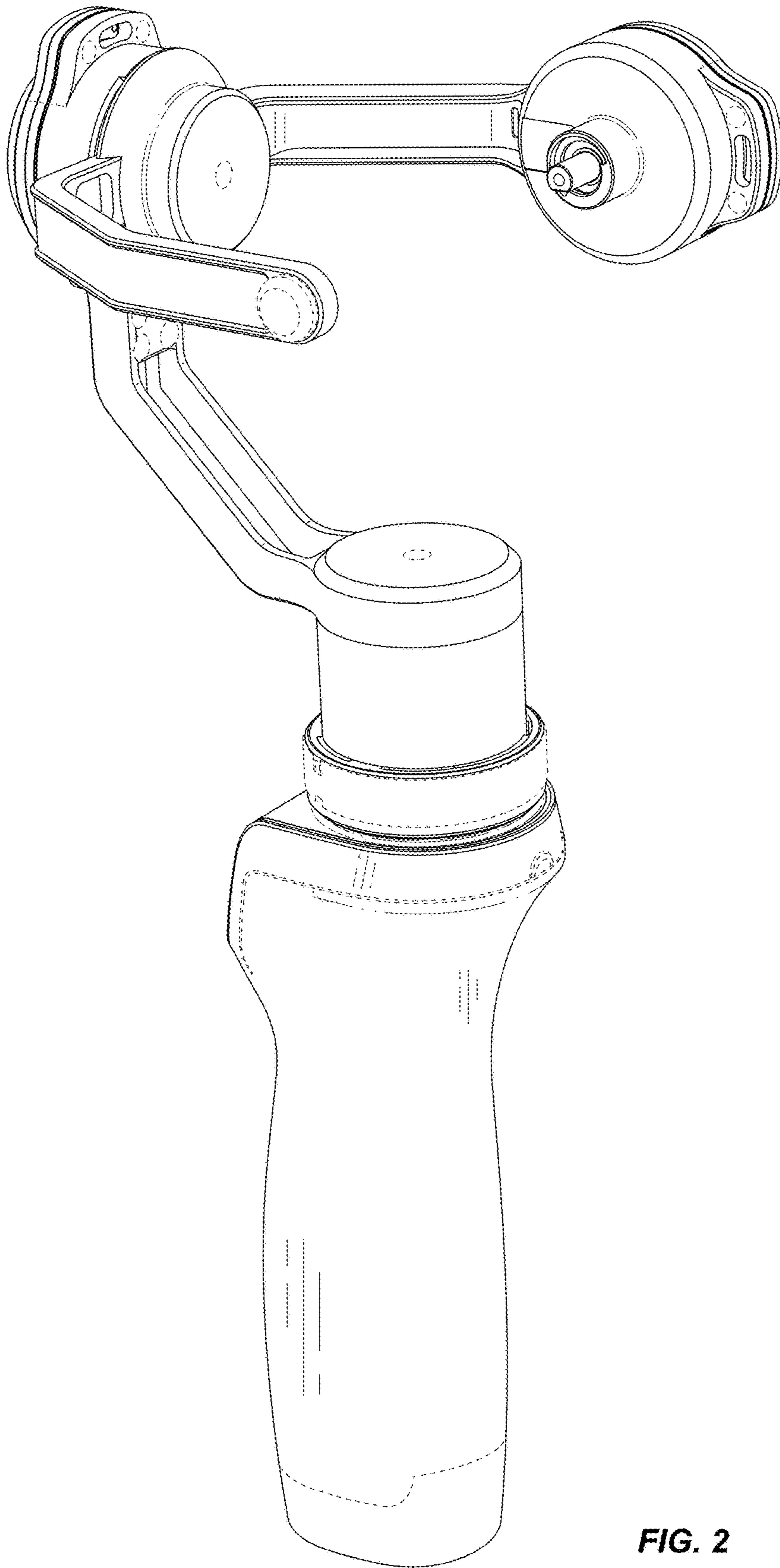


FIG. 2

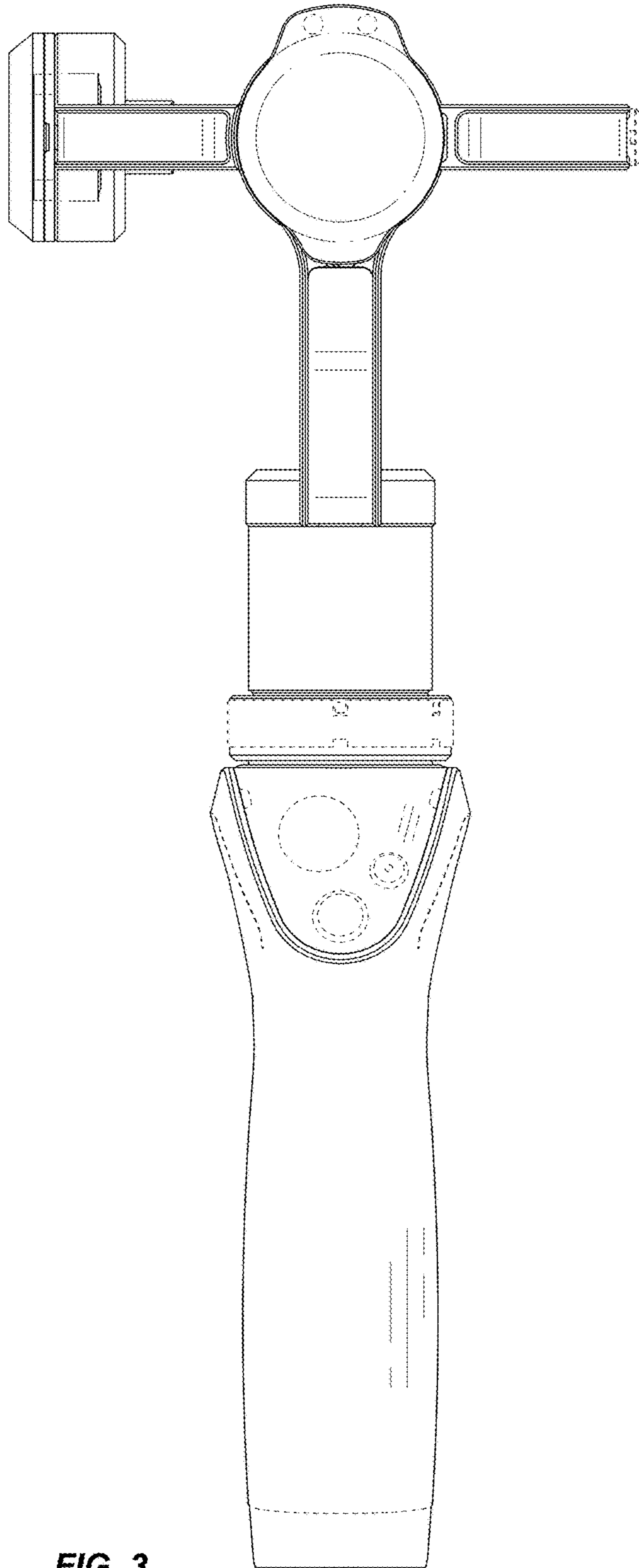


FIG. 3

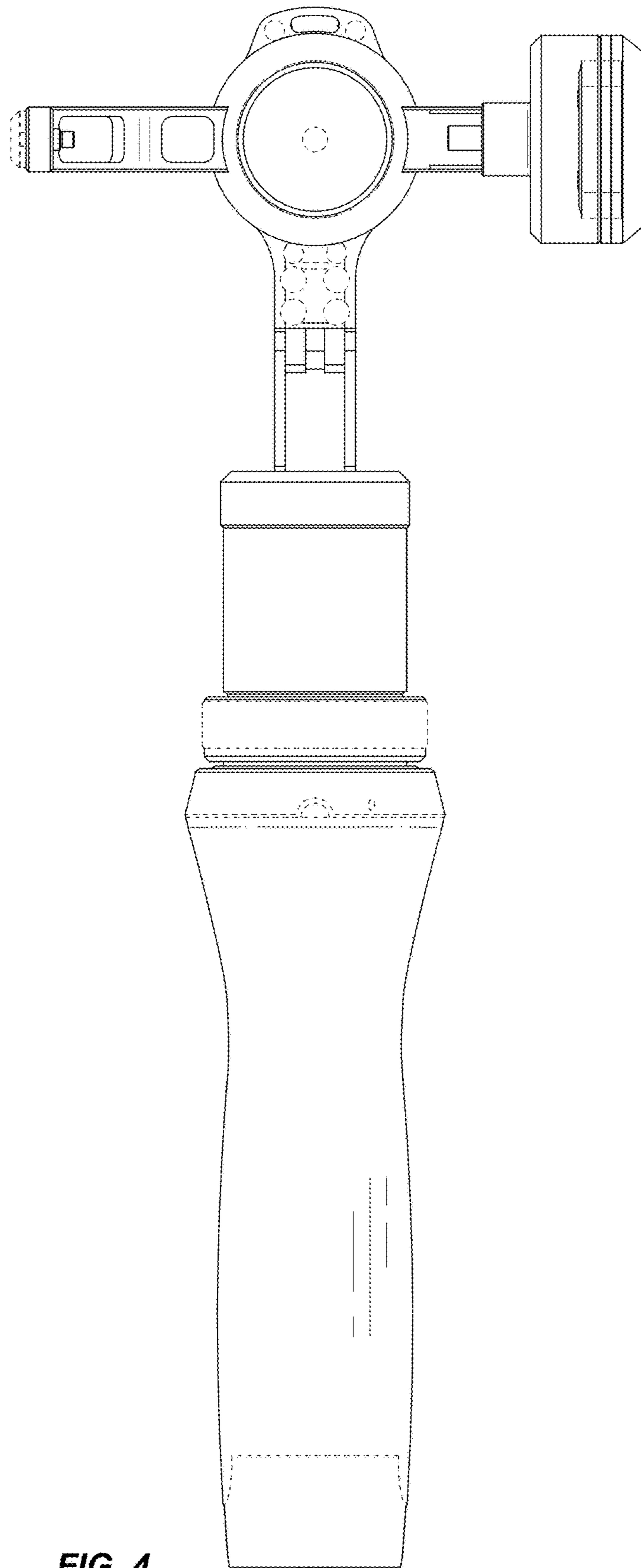


FIG. 4

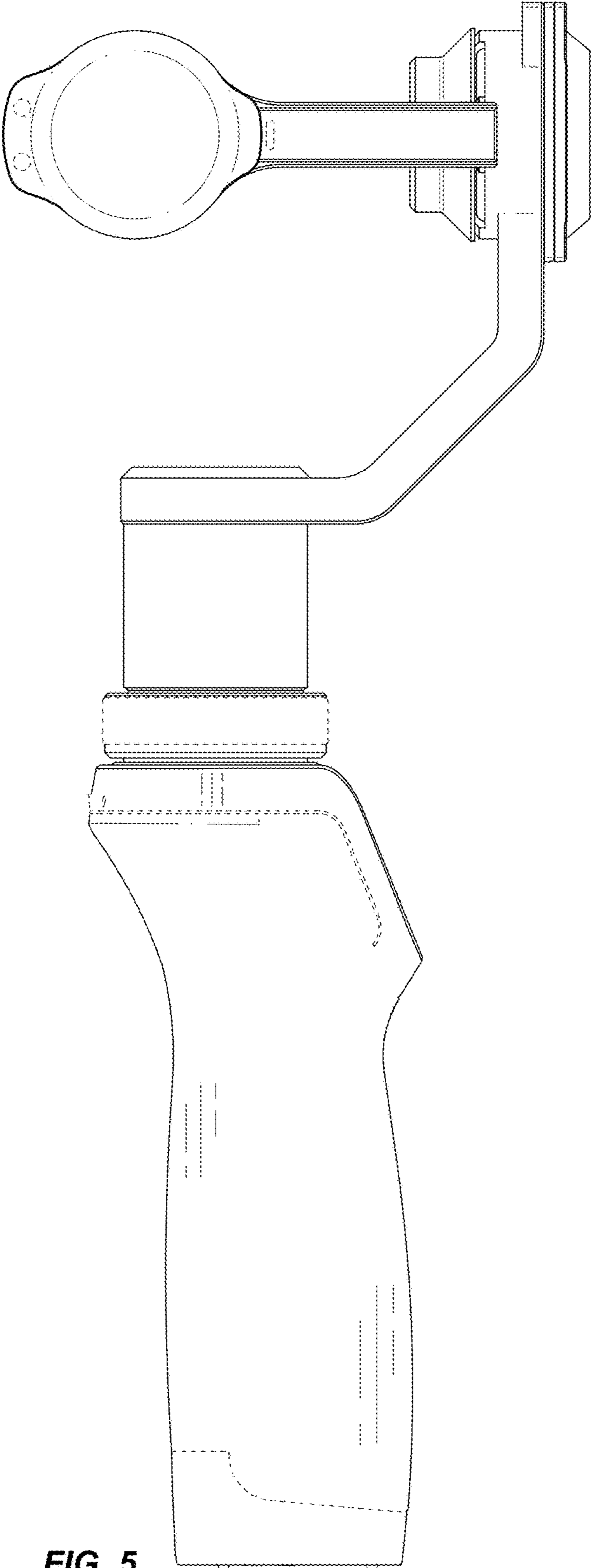


FIG. 5

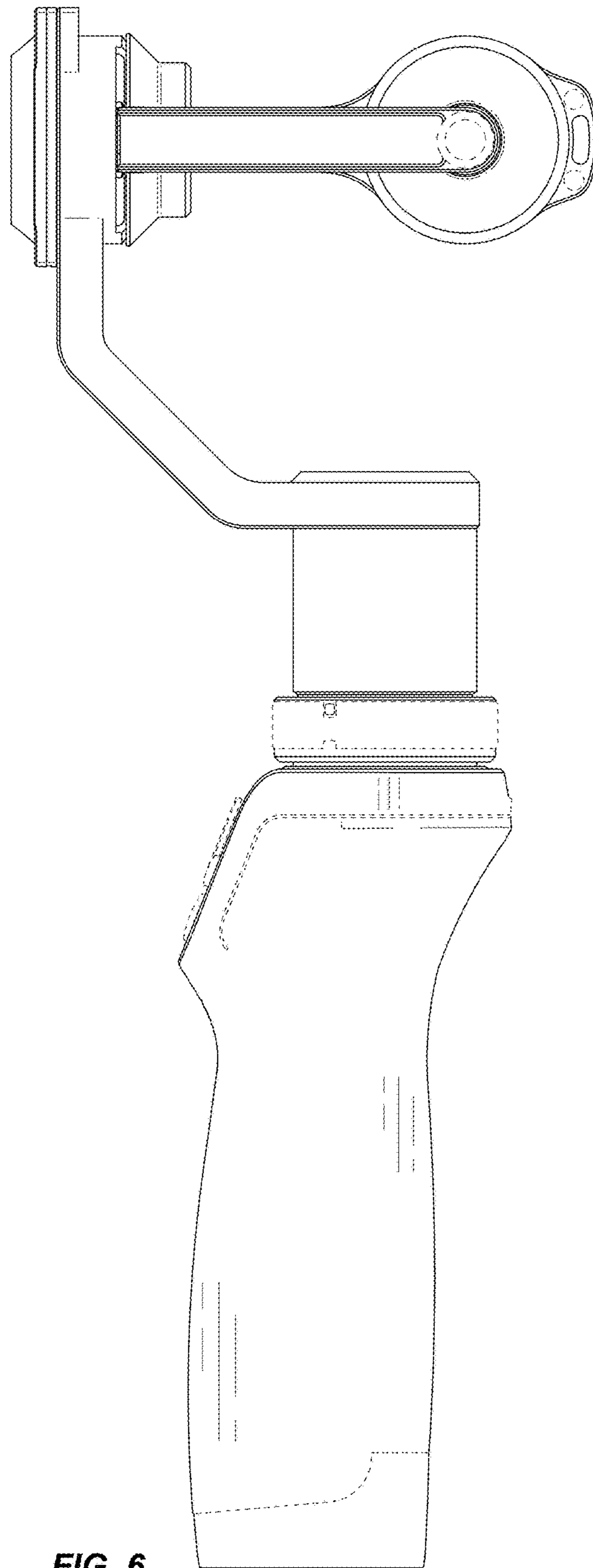


FIG. 6

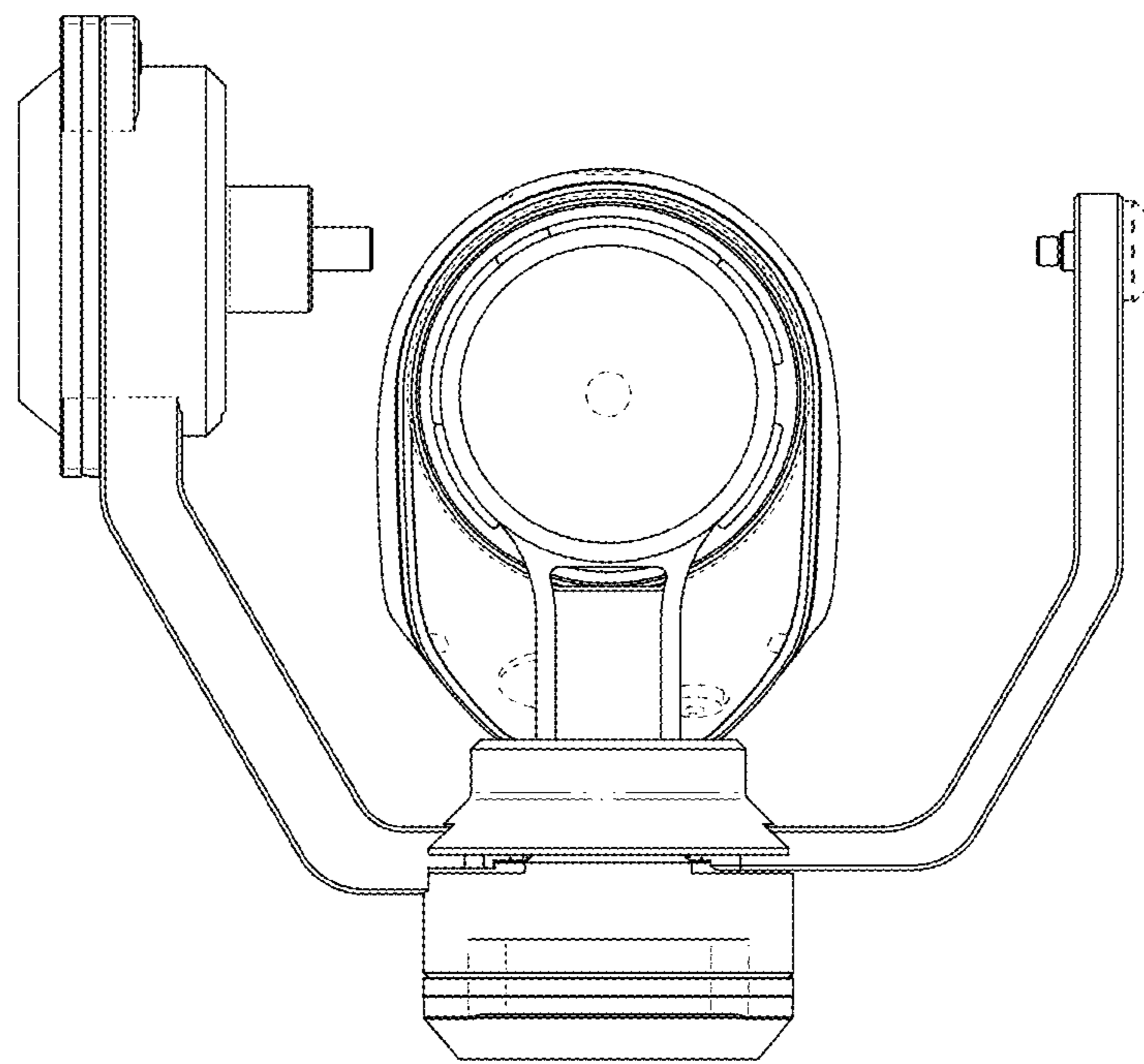


FIG. 7

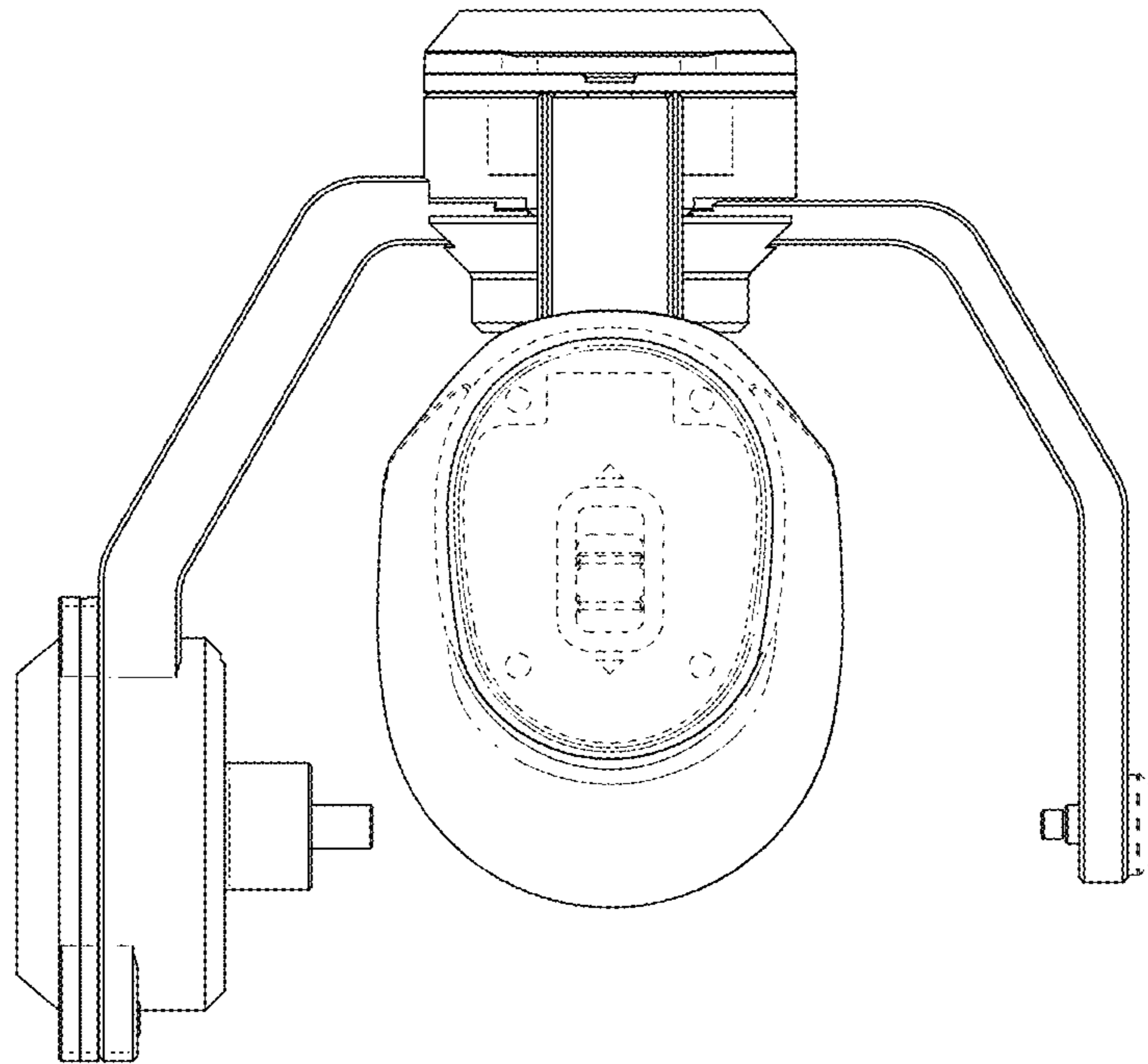


FIG. 8