



US00D814544S

(12) **United States Design Patent** (10) **Patent No.:** **US D814,544 S**  
**Moon et al.** (45) **Date of Patent:** **\*\* Apr. 3, 2018**

(54) **SURVEILLANCE CAMERA**  
(71) Applicant: **Hanwha Techwin Co., Ltd.**,  
Changwon-si (KR)  
(72) Inventors: **MiJung Moon**, Changwon-si (KR);  
**HoJin Park**, Changwon-si (KR)  
(73) Assignee: **Hanwha Techwin Co., Ltd.**,  
Changwon-si (KR)

D649,573 S \* 11/2011 Al ..... D16/202  
D678,929 S \* 3/2013 Hancock ..... D16/202  
D721,754 S \* 1/2015 Chen ..... D16/202  
D729,296 S \* 5/2015 Shelton ..... D16/202  
9,071,740 B1 \* 6/2015 Duffy ..... H04N 5/2252  
D740,871 S \* 10/2015 Moon ..... D16/203  
D741,932 S \* 10/2015 Huang ..... D16/202  
D748,709 S \* 2/2016 Jeong ..... D16/202  
D754,233 S \* 4/2016 Du ..... D16/211  
D757,835 S \* 5/2016 Tabuchi ..... D16/203  
D785,693 S \* 5/2017 Kim ..... D16/202

(\*\*) Term: **15 Years**  
(21) Appl. No.: **29/588,977**  
(22) Filed: **Dec. 27, 2016**

FOREIGN PATENT DOCUMENTS

KR 30-0501205 S 8/2008  
KR 30-0777097 S 12/2014  
KR 30-0854198 S 5/2016

(30) **Foreign Application Priority Data**  
Aug. 1, 2016 (KR) ..... 30-2016-0037544  
(51) **LOC (11) Cl.** ..... **16-01**  
(52) **U.S. Cl.**  
USPC ..... **D16/203**  
(58) **Field of Classification Search**  
USPC ..... D16/200, 202–206, 218, 219, 242;  
348/143, 148, 151, 373–376; 396/419,  
396/427, 535, 539–541  
CPC ..... G03B 17/02; G03B 19/04; G03B 17/56;  
G03B 17/04; G03B 15/03; H04N 5/2251;  
H04N 5/2252; H04N 5/2253; H04N  
5/2254; H04N 7/181; H04N 7/183; H04N  
7/18; G08B 13/1963; G08B 13/19619;  
G08B 13/19632; F16M 11/04; F16M  
13/00  
See application file for complete search history.

\* cited by examiner

*Primary Examiner* — Philip S. Hyder  
*Assistant Examiner* — Ramzi S Almatrahi  
(74) *Attorney, Agent, or Firm* — Sughrue Mion, PLLC

(56) **References Cited**  
U.S. PATENT DOCUMENTS  
D550,738 S \* 9/2007 Hsia ..... D16/202  
D573,622 S 7/2008 Fisher et al.  
D575,316 S \* 8/2008 Liu ..... D16/202

(57) **CLAIM**  
The ornamental design for a surveillance camera, as shown and described.

**DESCRIPTION**

FIG. 1 is a front perspective view of a surveillance camera showing our new design;  
FIG. 2 is a front elevational view of the surveillance camera;  
FIG. 3 is a rear elevational view of the surveillance camera;  
FIG. 4 is a left side elevational view of the surveillance camera;  
FIG. 5 is a right side elevational view of the surveillance camera;  
FIG. 6 is a top plan view of the surveillance camera; and,  
FIG. 7 is a bottom plan view of the surveillance camera.  
The broken lines depict portions of the surveillance camera in which the design is embodied that form no part of the claimed design.

**1 Claim, 7 Drawing Sheets**

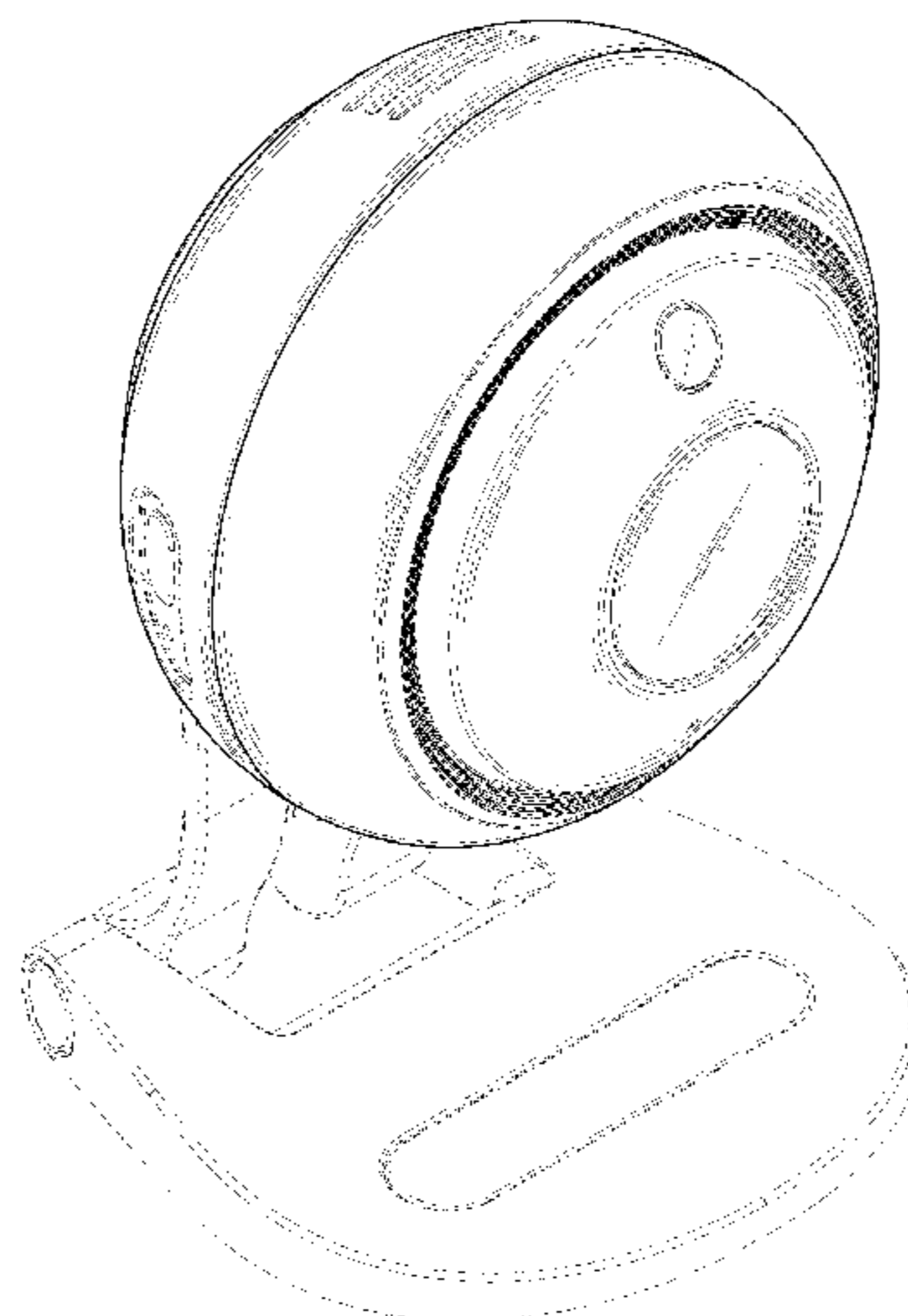


FIG. 1

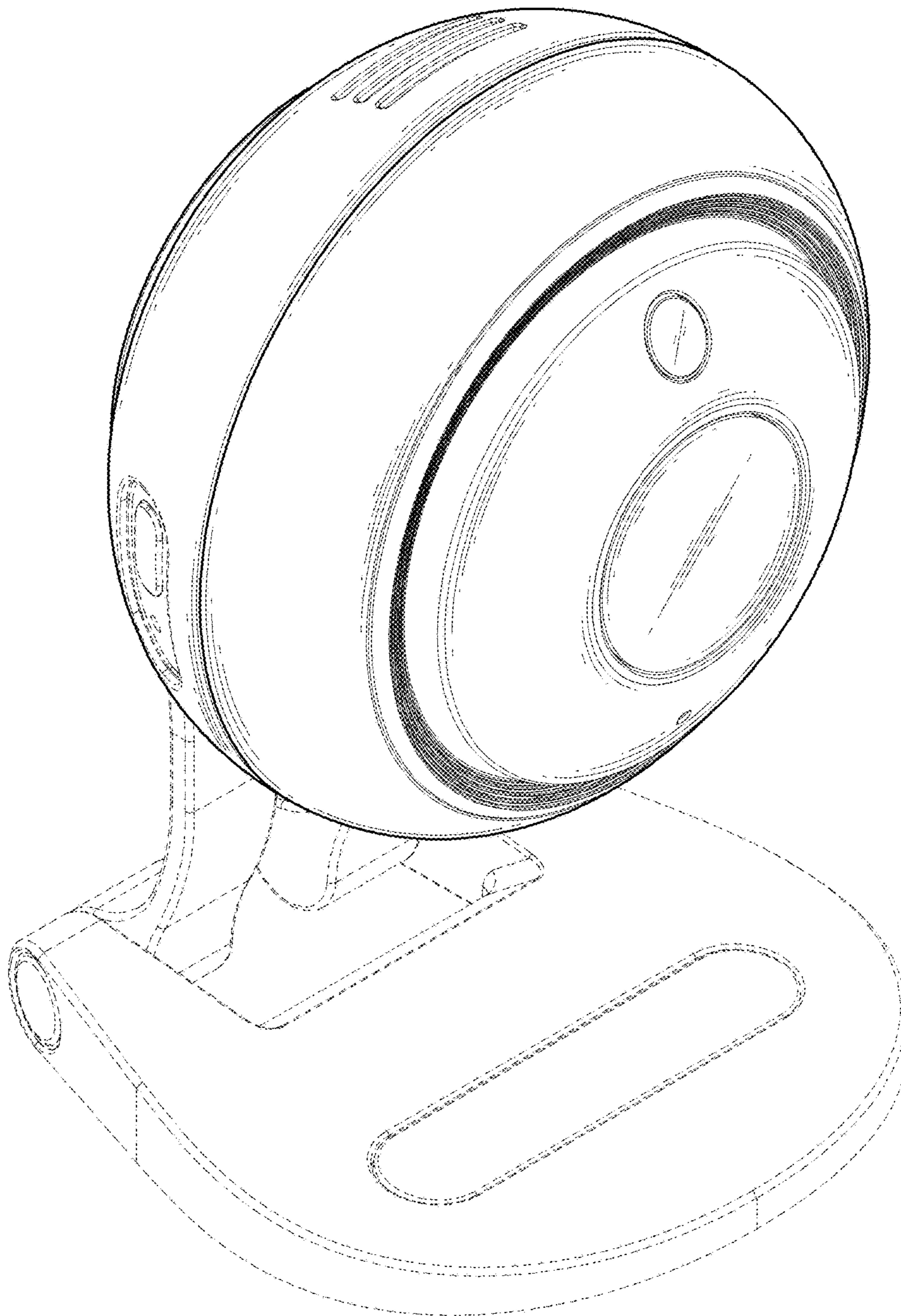




FIG. 2

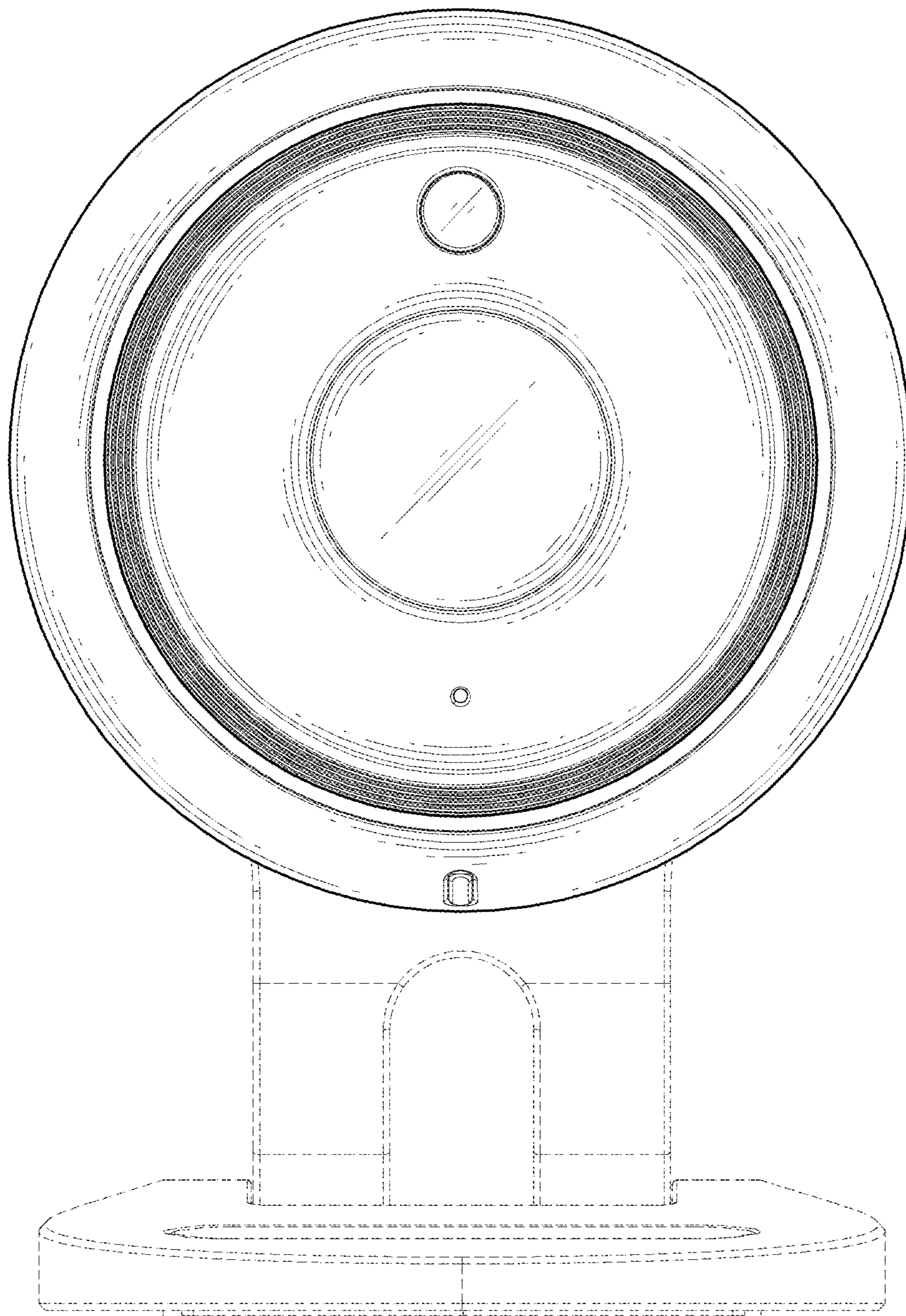


FIG. 3

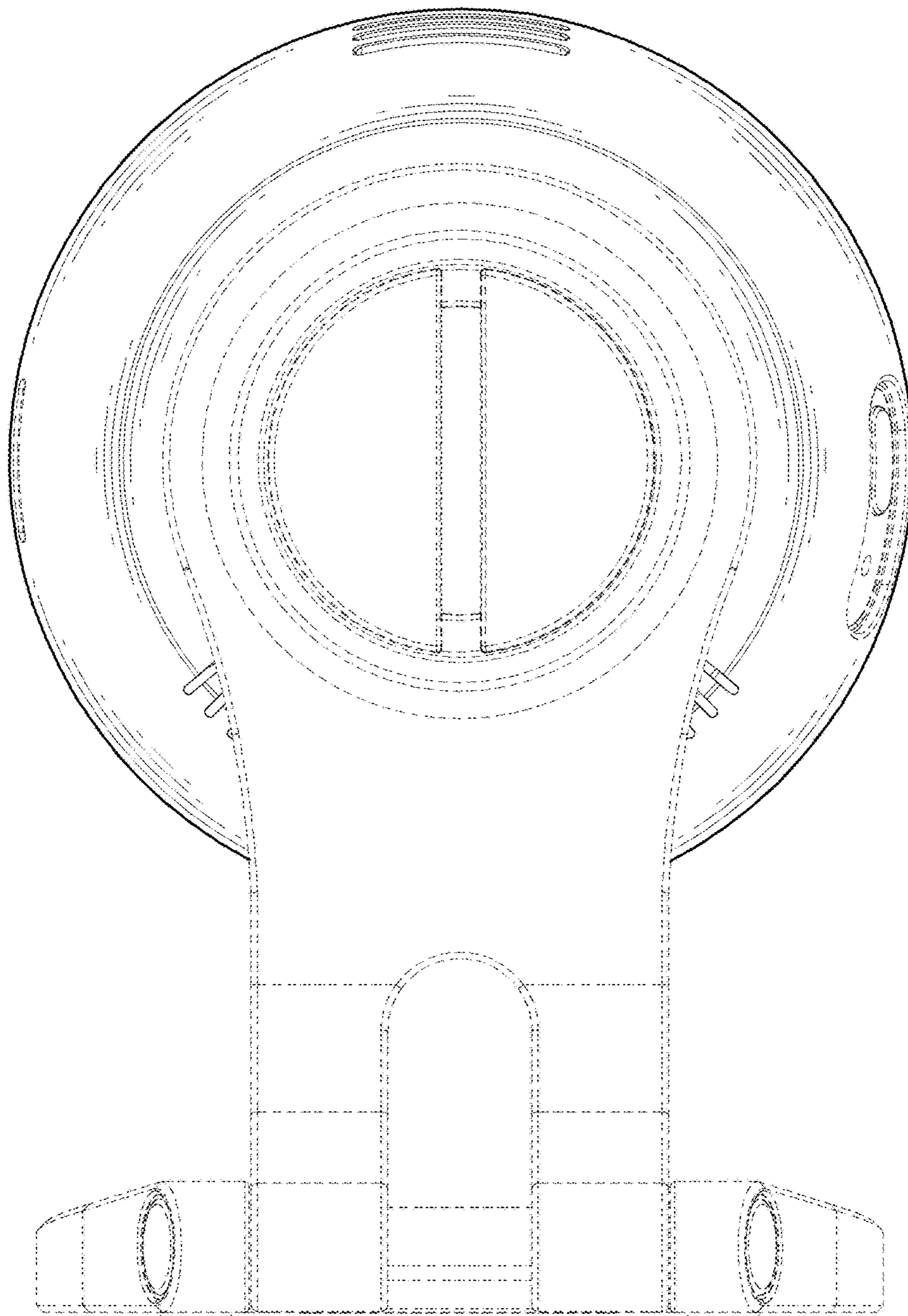


FIG. 4

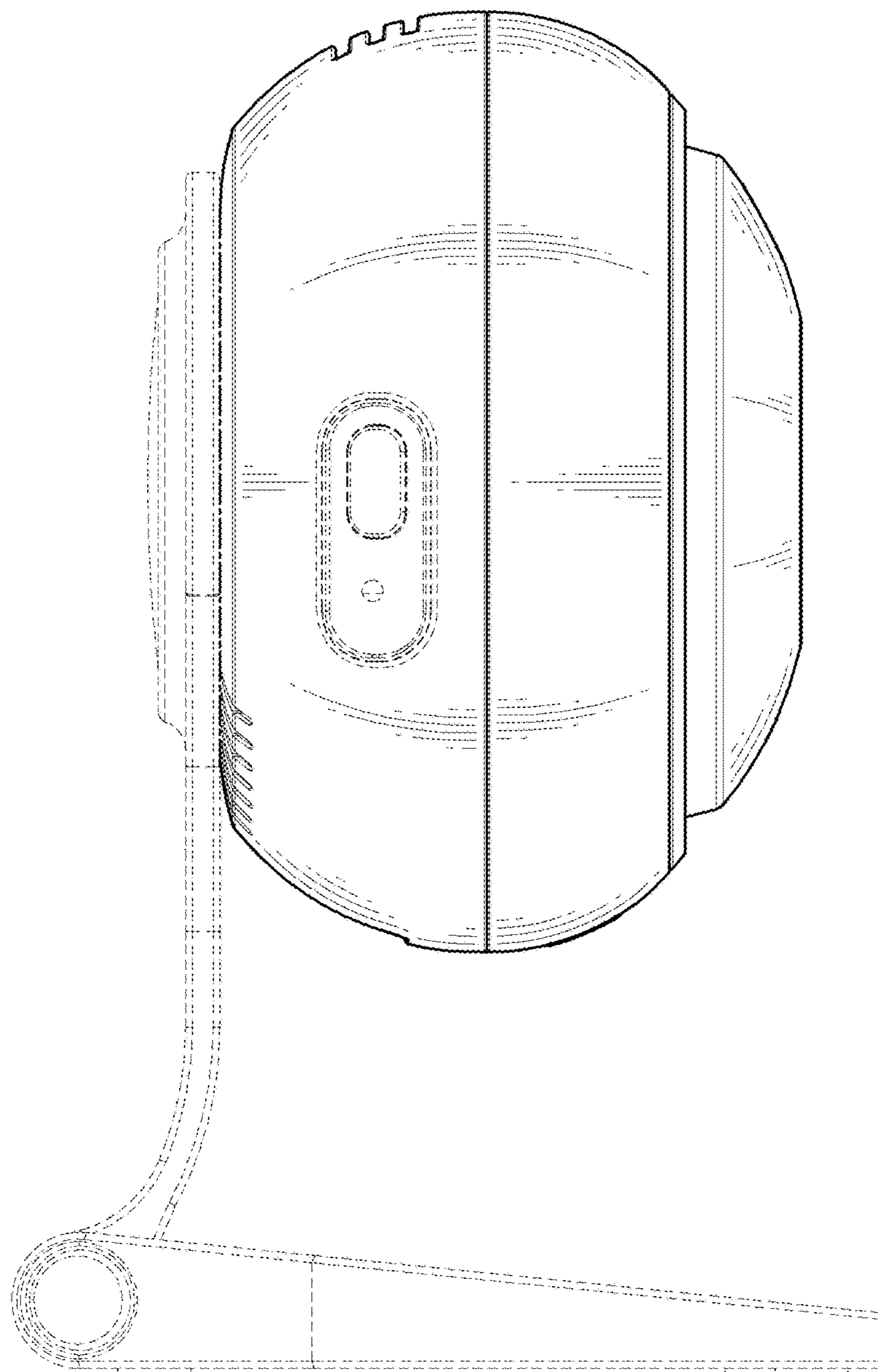




FIG. 5

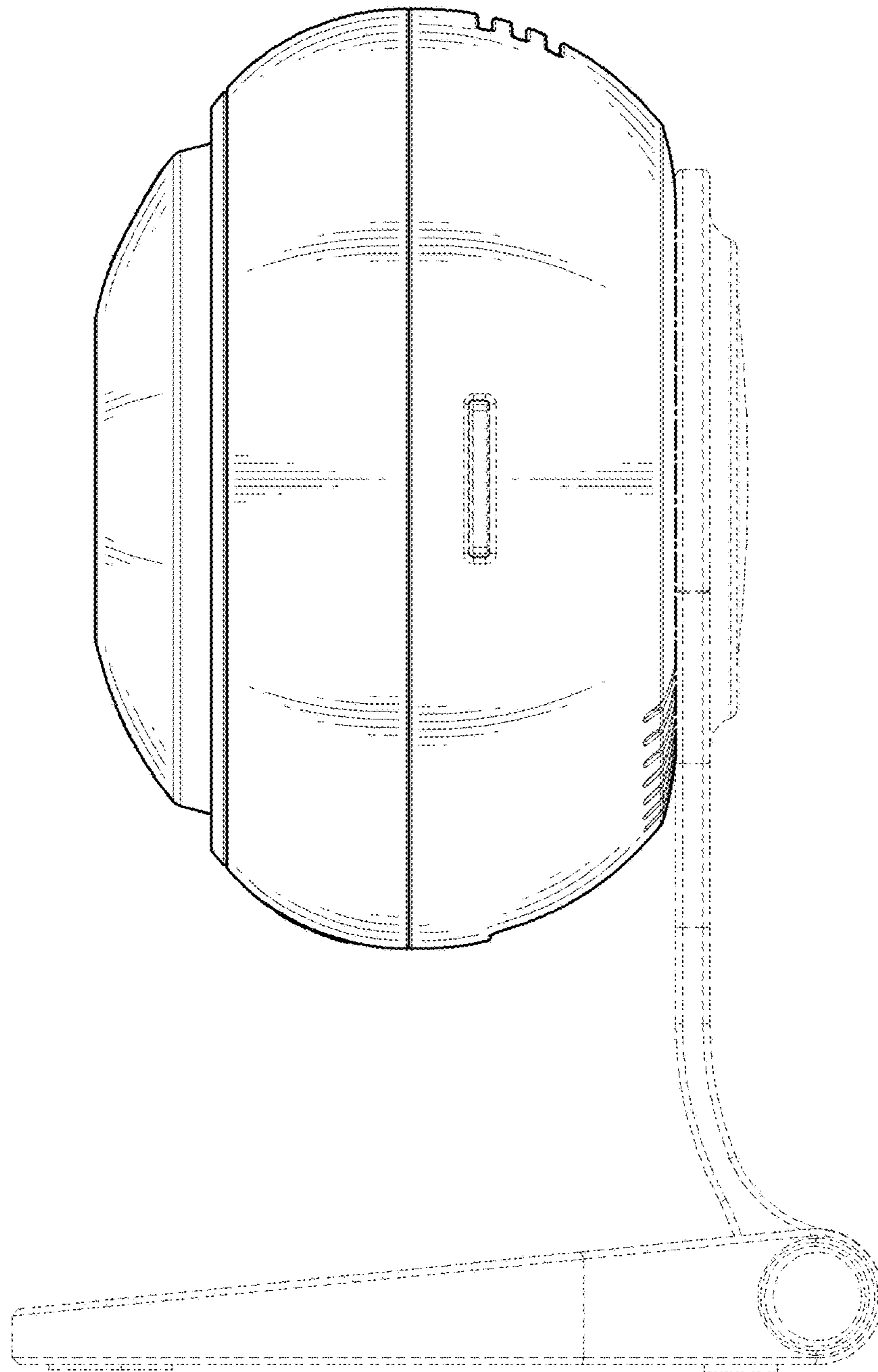


FIG. 6

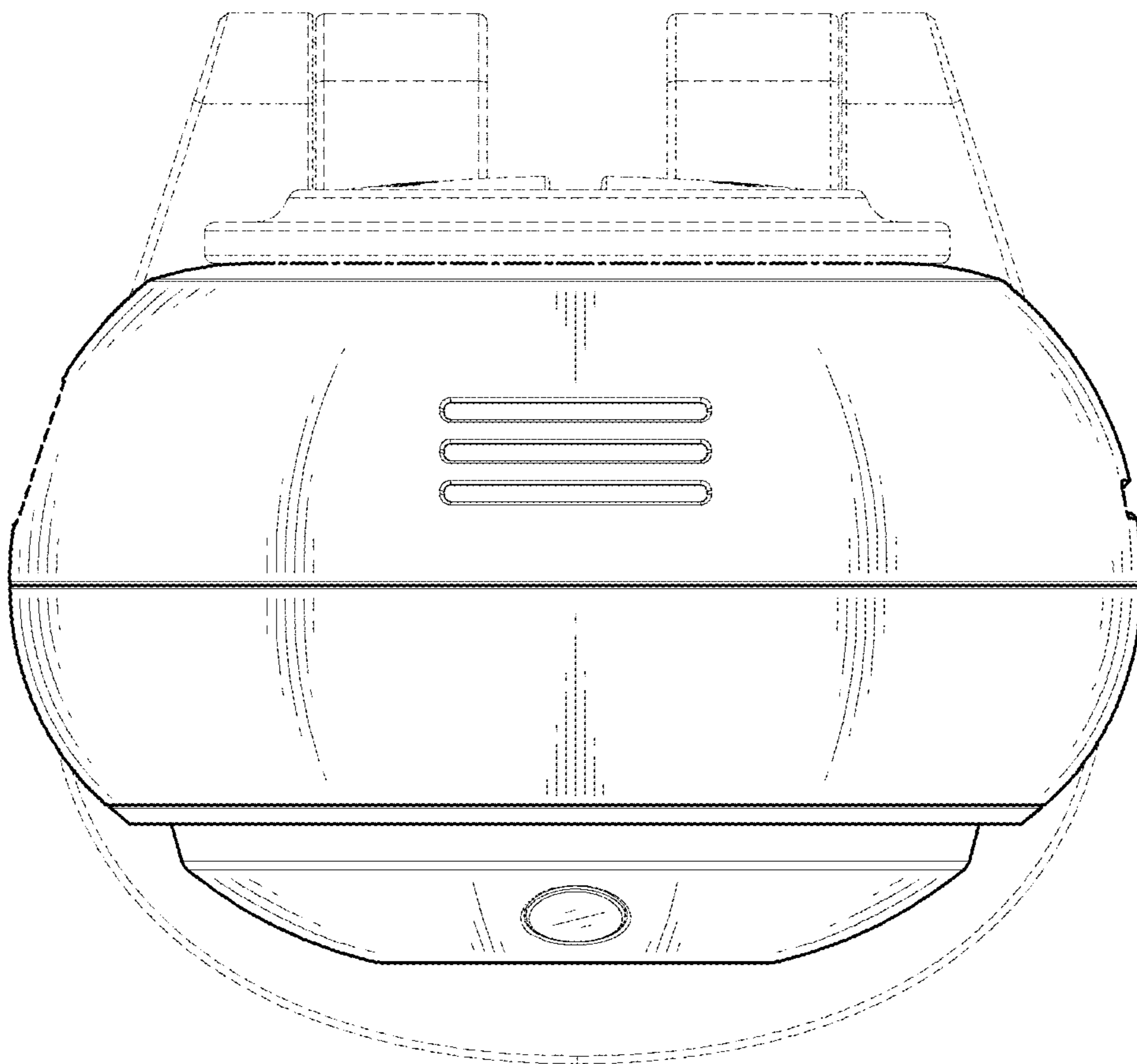


FIG. 7

