



US00D814542S

(12) **United States Design Patent**
Iijima

(10) **Patent No.:** **US D814,542 S**

(45) **Date of Patent:** **** Apr. 3, 2018**

(54) **ROBOT**

(71) Applicant: **Panasonic Intellectual Property Management Co., Ltd., Osaka (JP)**

(72) Inventor: **Takahiro Iijima, Osaka (JP)**

(73) Assignee: **Panasonic Intellectual Property Management Co., Ltd., Osaka (JP)**

(**) Term: **15 Years**

(21) Appl. No.: **29/576,853**

(22) Filed: **Sep. 7, 2016**

(51) **LOC (11) Cl.** **15-99**

(52) **U.S. Cl.**
USPC **D15/199**

(58) **Field of Classification Search**
USPC D15/126, 138, 199; D21/345, 350, 360, D21/361, 362, 383, 384, 398, 399, 414, D21/415, 418, 428, 455, 467, 503, 504, D21/528, 529, 558, 578, 579, 594, 612, D21/621, 627, 658; D24/138, 155, 185, D24/198, 205, 208, 211, 231, 232; D29/124, 129; D34/35; D99/1, 17, 30, D99/34, 37, 38, 99
CPC G06N 3/00; G06N 3/004; G06N 3/006; G06N 3/008; G06N 5/00; A63H 3/00; G05B 19/00; B25J 9/00; G06C 7/60
See application file for complete search history.

(56) **References Cited**

U.S. PATENT DOCUMENTS

- D457,200 S * 5/2002 Dove D21/533
- D549,756 S * 8/2007 Park D15/199
- D592,257 S * 5/2009 Tang D21/578
- D596,244 S * 7/2009 Levy D21/622
- D614,251 S * 4/2010 Chung D15/199
- D635,603 S * 4/2011 Paz Rodriguez D15/199
- D663,333 S * 7/2012 Kitano D15/199
- D663,334 S * 7/2012 Kitano D15/199

- D672,408 S * 12/2012 Ohler D15/199
- D681,133 S * 4/2013 Chen D15/199
- D685,438 S * 7/2013 Fan D15/199

(Continued)

FOREIGN PATENT DOCUMENTS

JP D1532454 8/2015

OTHER PUBLICATIONS

Best 'smart home' robots of CES 2017, posted on mirror.co.uk, posted Jan. 6, 2017, no production date given, [online], [site visited Jul. 10, 2017], Available from Internet, <URL: <http://www.mirror.co.uk/tech/best-smart-home-robots-ces-9567893>>.*

(Continued)

Primary Examiner — Melanie H Tung
Assistant Examiner — Fitzgerald L Butac
(74) *Attorney, Agent, or Firm* — Panasonic IP Management; Kerry S. Culpepper

(57) **CLAIM**

I claim the ornamental design for a robot, as shown and described.

DESCRIPTION

FIG. 1 is a first front perspective view of a robot of the present invention;
FIG. 2 is a second front perspective view thereof;
FIG. 3 is a front view thereof;
FIG. 4 is a rear view thereof;
FIG. 5 is a first side view thereof;
FIG. 6 is a second side view thereof;
FIG. 7 is a top view thereof;
FIG. 8 is a bottom view thereof;
FIG. 9 is an end view taken along the line 9-9 in FIG. 3; and,
FIG. 10 is a front perspective view in a closed state.
The broken lines showing portions of the robot forms form no part of the claimed design.

1 Claim, 10 Drawing Sheets

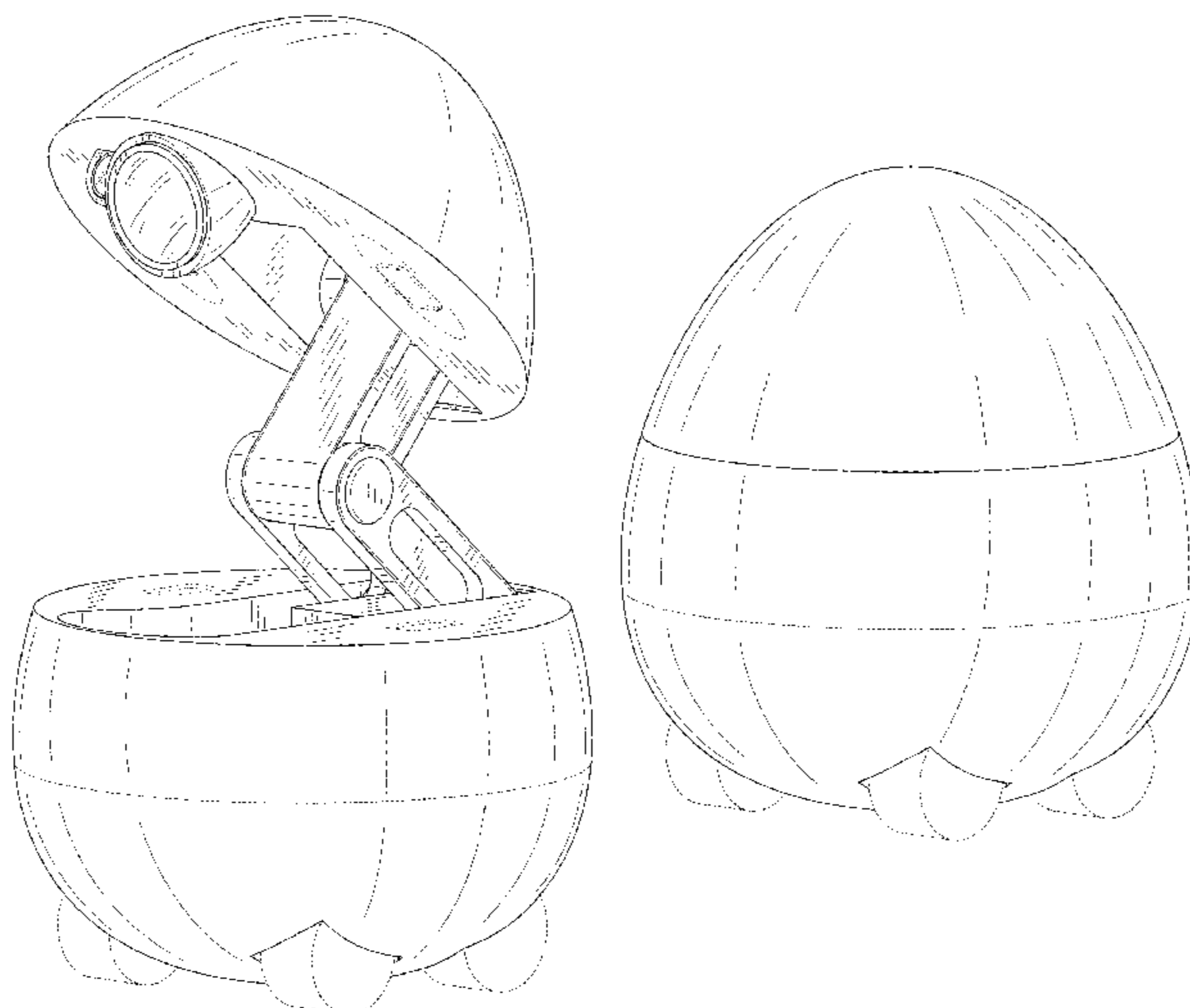


FIG. 1

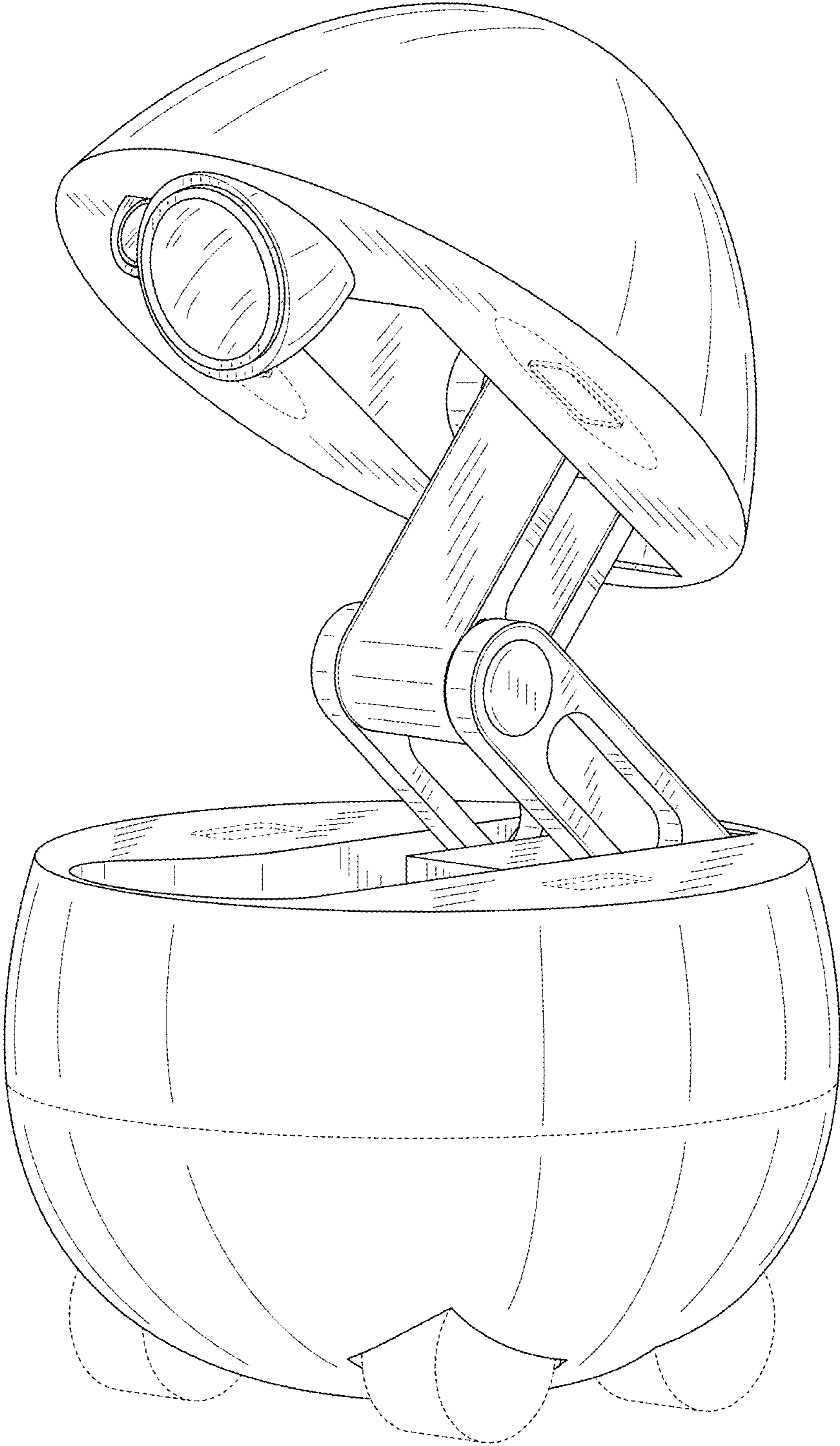


FIG. 2

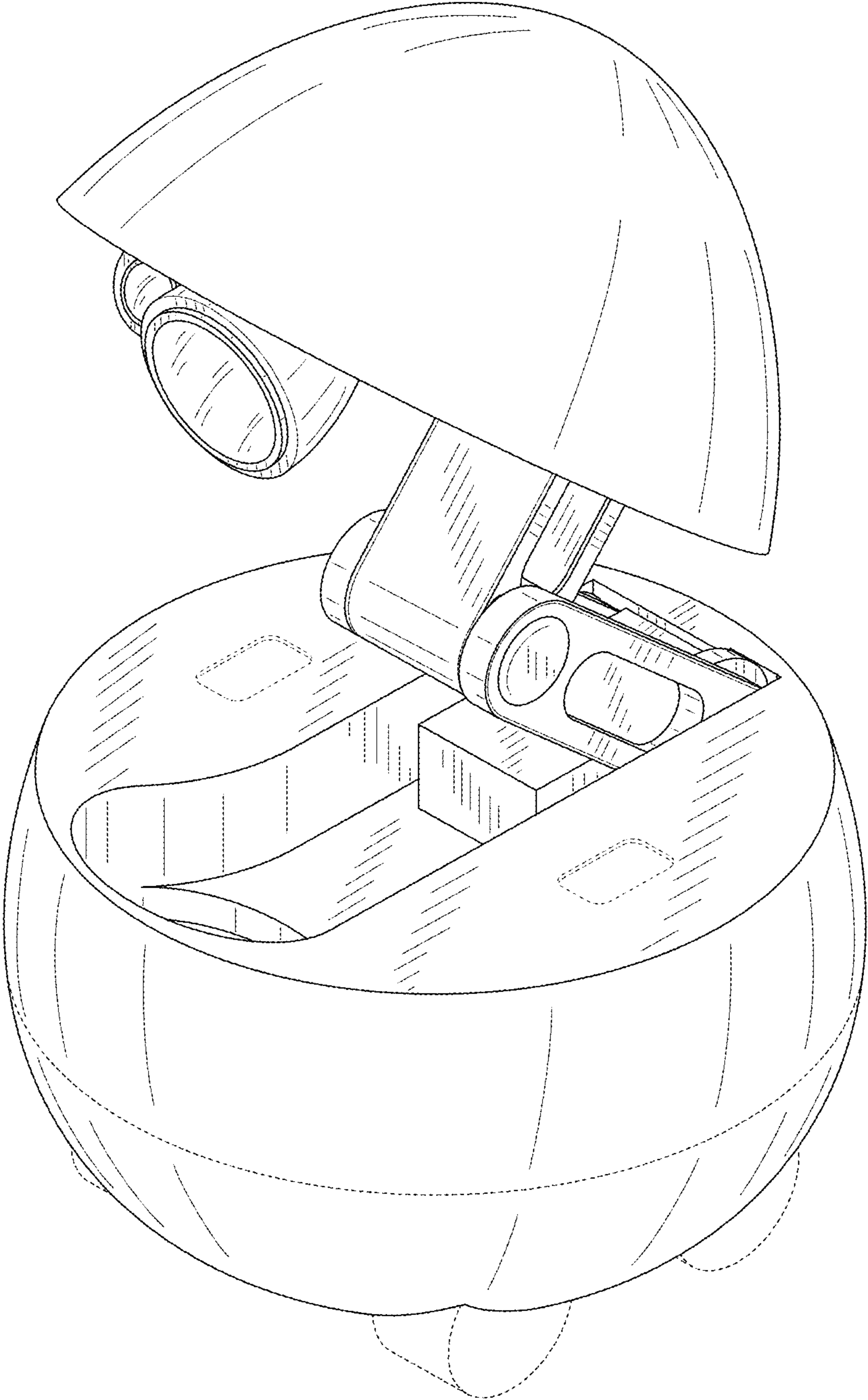


FIG. 3

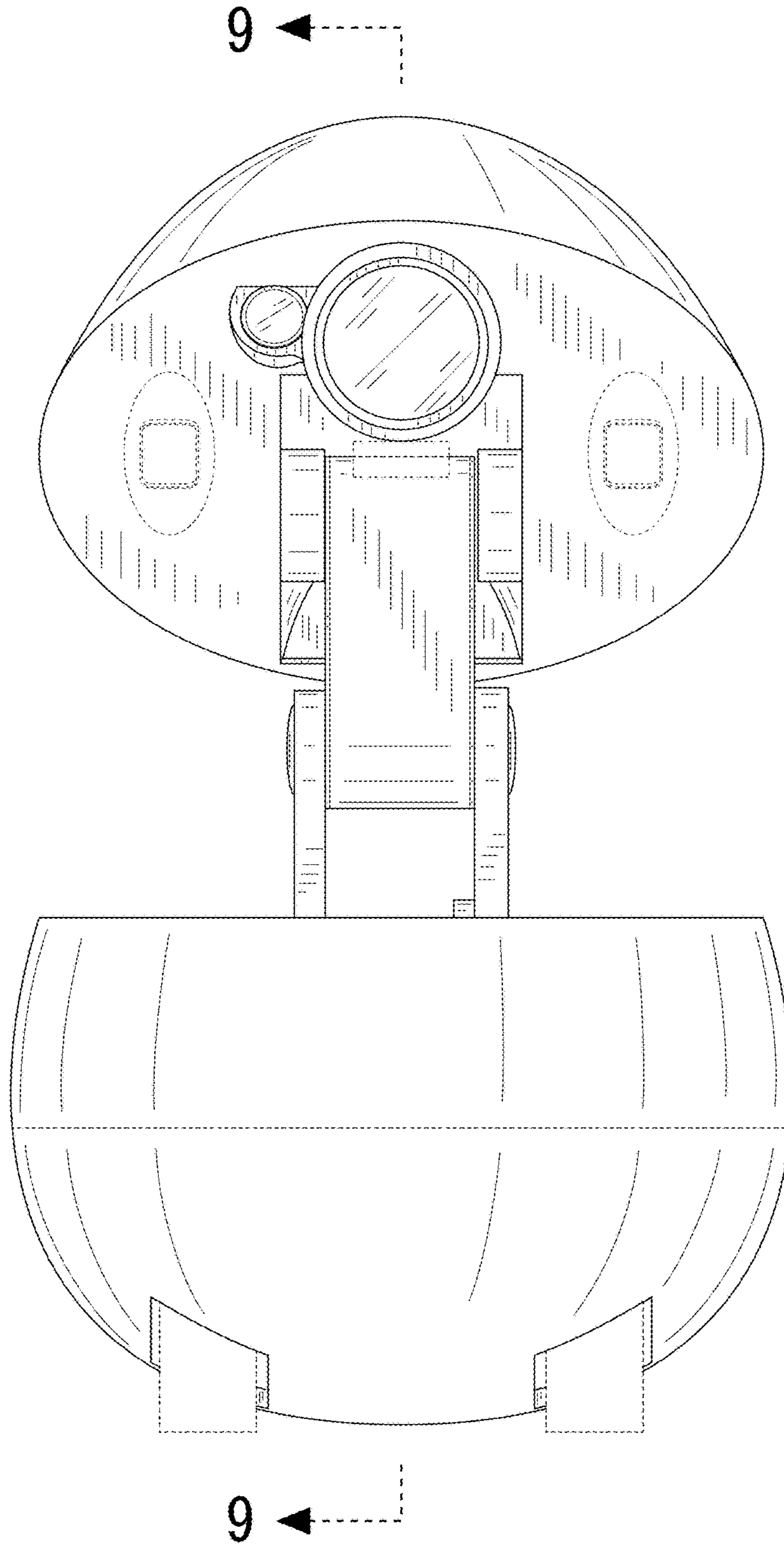


FIG. 4

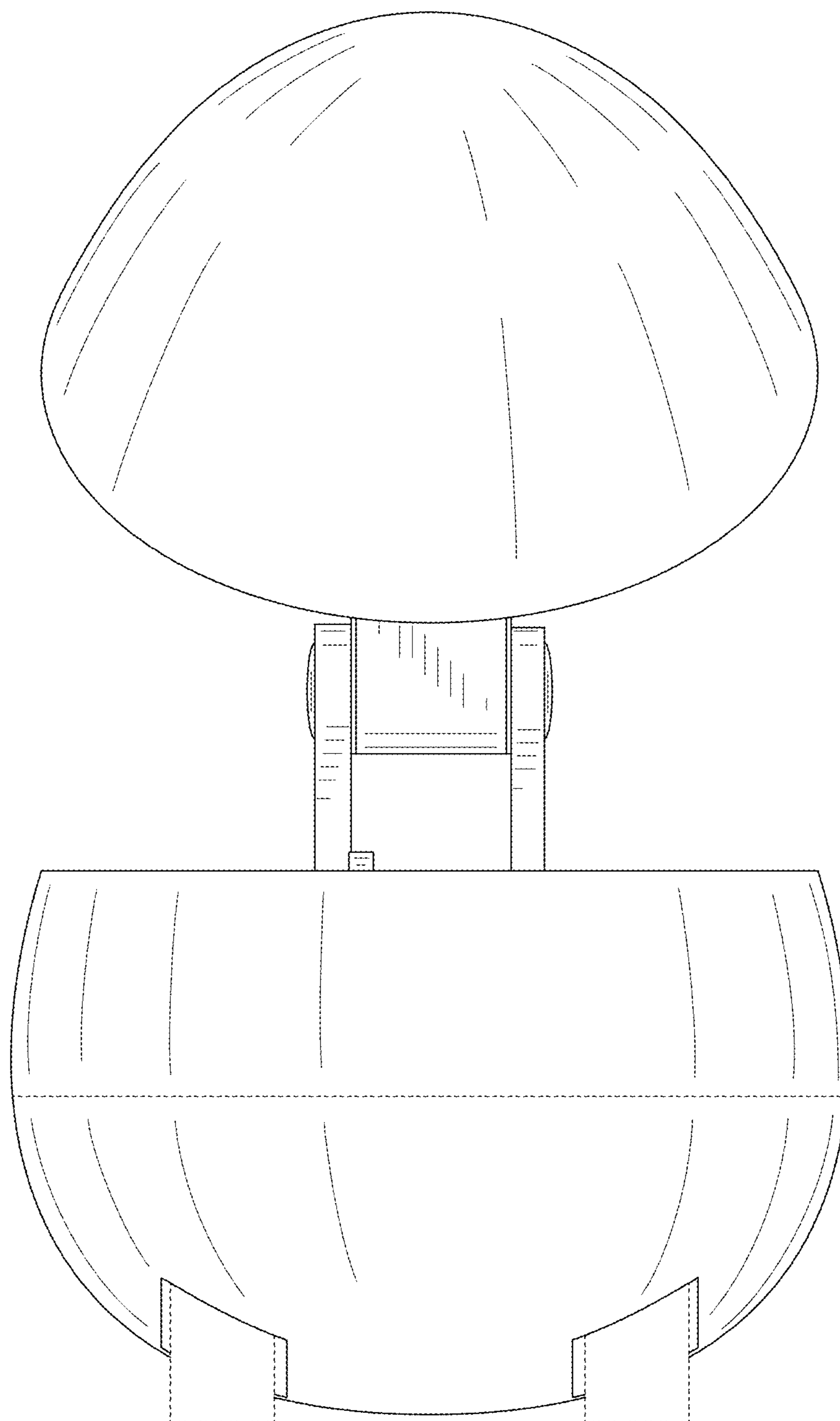


FIG. 5

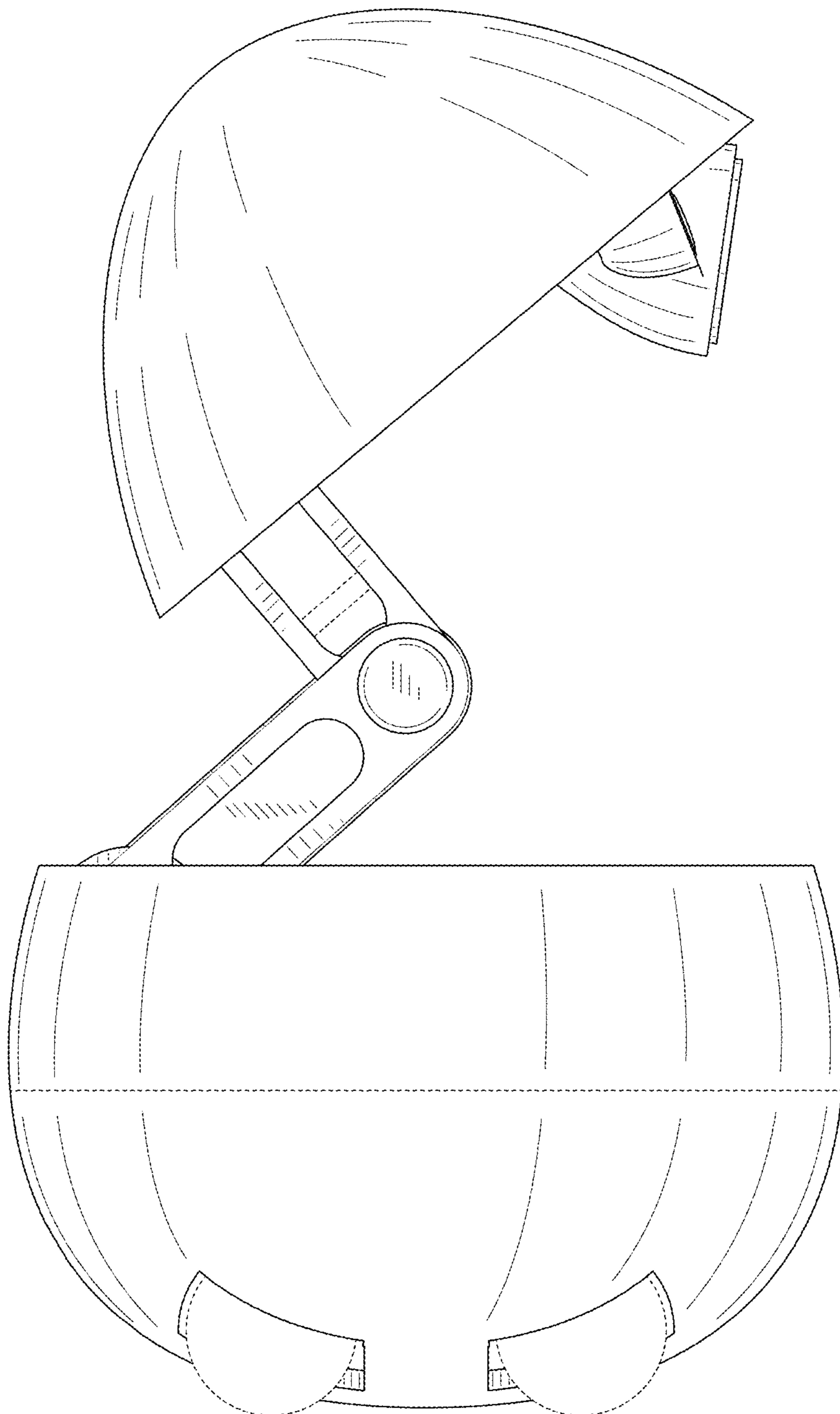


FIG. 6

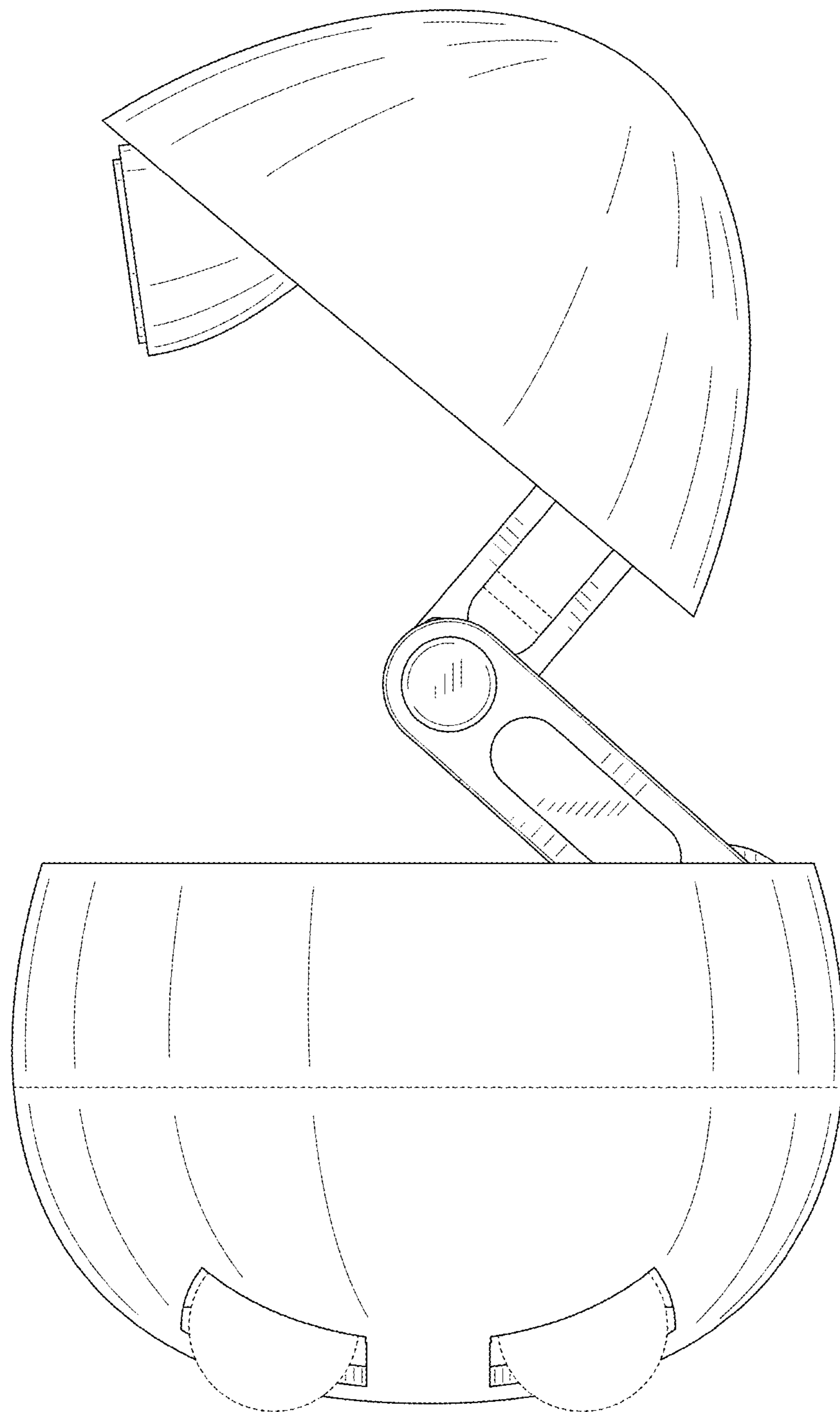


FIG. 7

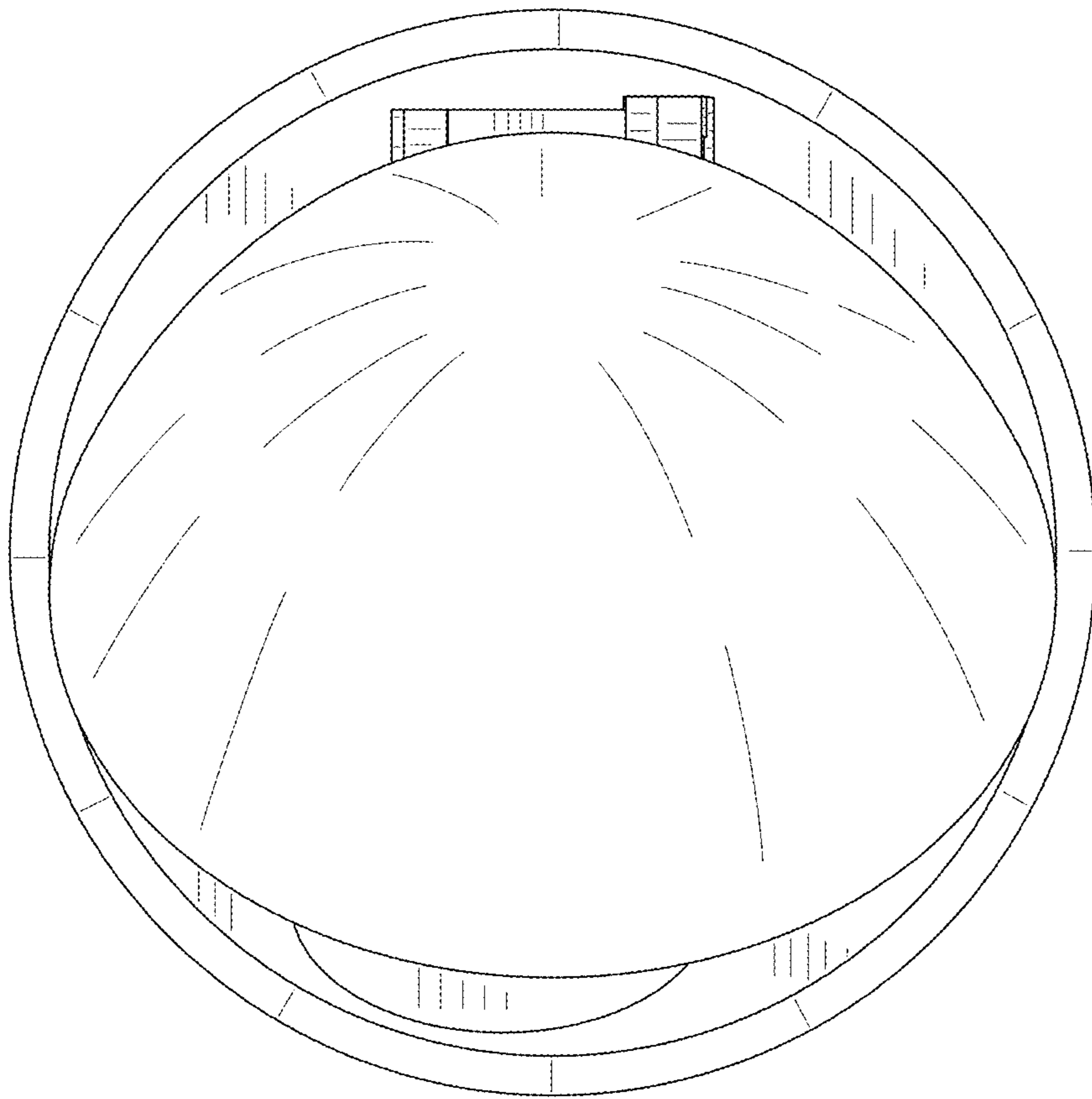


FIG. 8

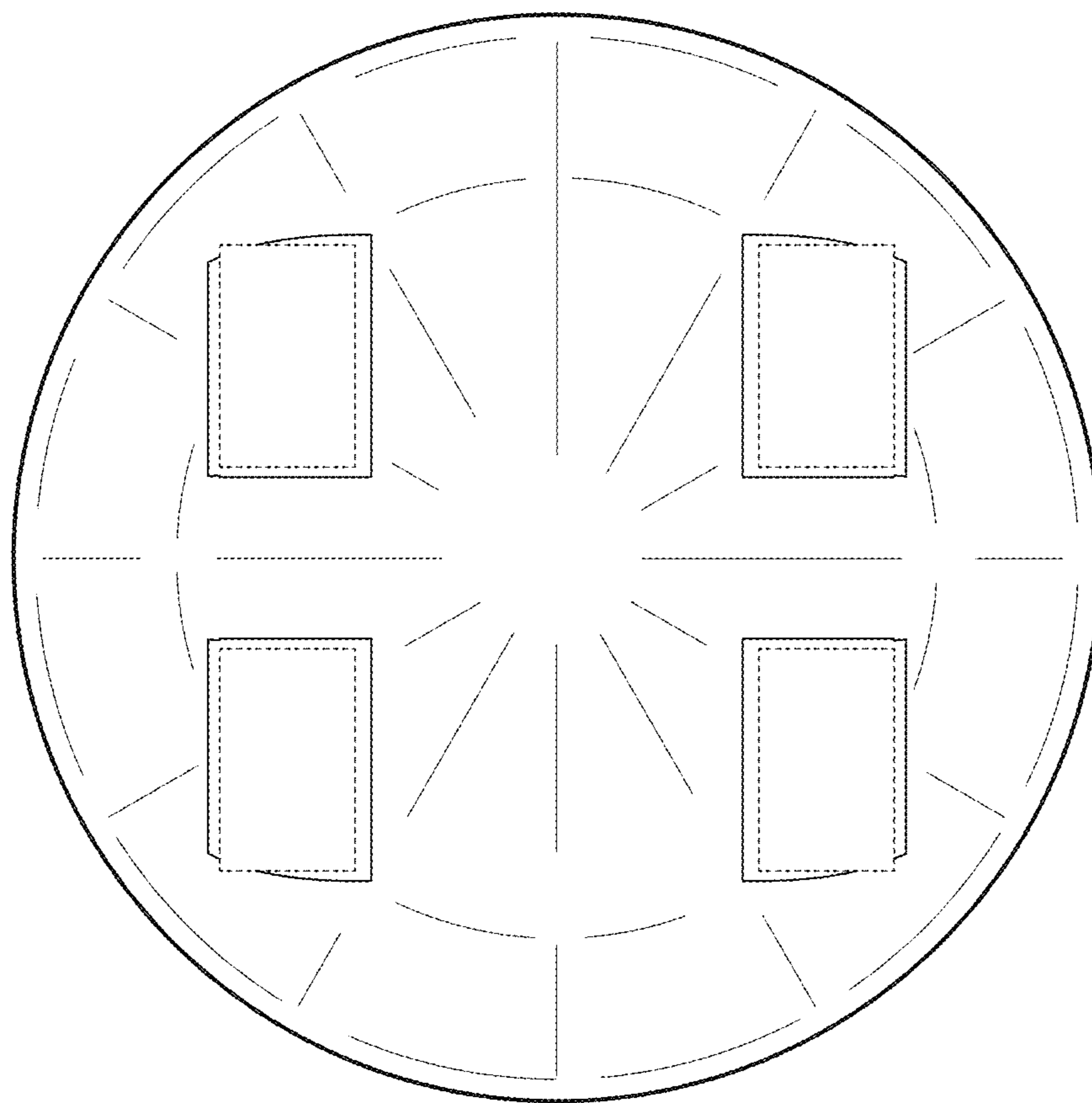


FIG. 9

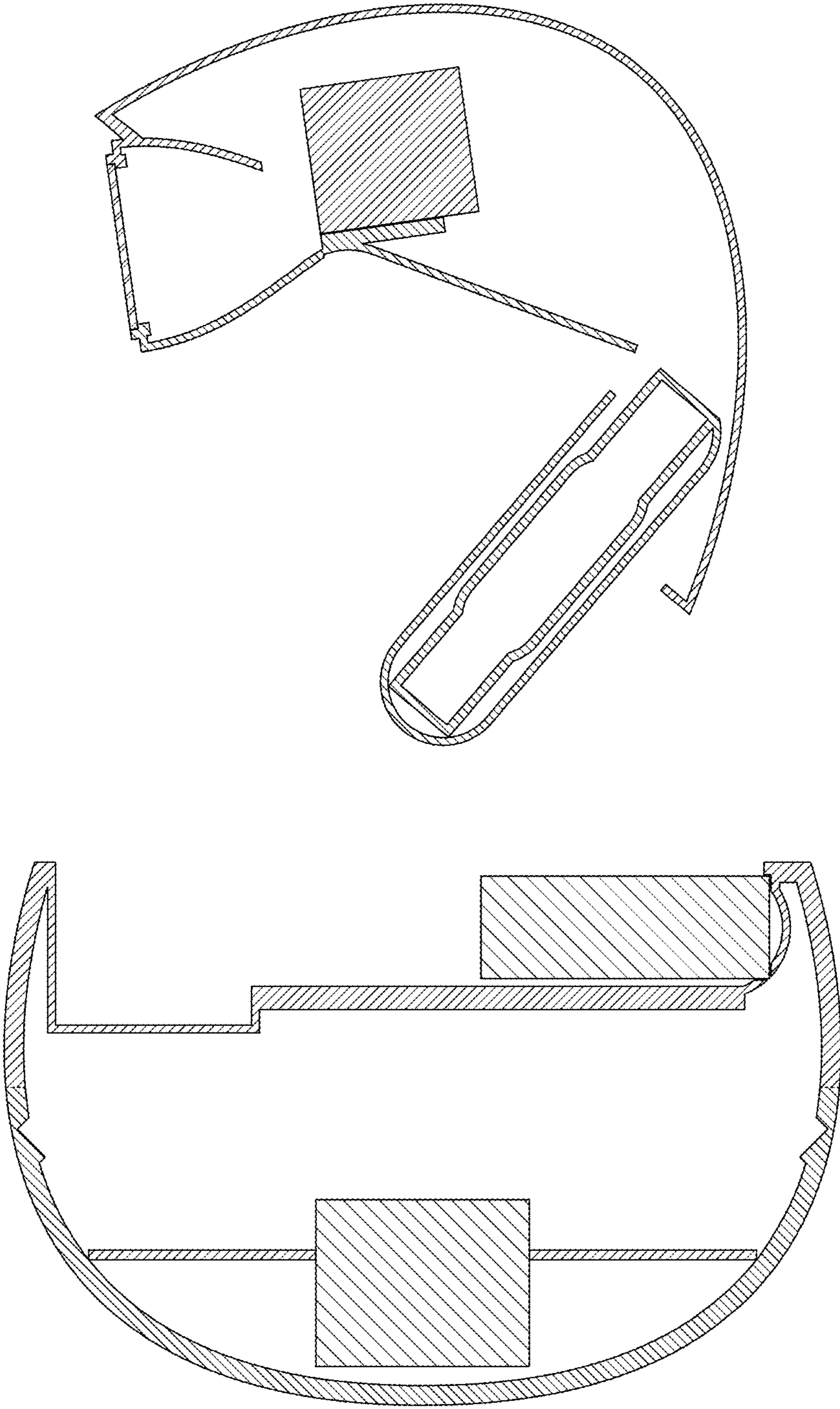


FIG. 10

