



US00D814541S

(12) **United States Design Patent**
Iijima

(10) **Patent No.:** **US D814,541 S**

(45) **Date of Patent:** **** Apr. 3, 2018**

(54) **ROBOT**

(71) Applicant: **Panasonic Intellectual Property Management Co., Ltd., Osaka (JP)**

(72) Inventor: **Takahiro Iijima, Osaka (JP)**

(73) Assignee: **Panasonic Intellectual Property Management Co., Ltd., Osaka (JP)**

(**) Term: **15 Years**

(21) Appl. No.: **29/576,850**

(22) Filed: **Sep. 7, 2016**

(51) **LOC (11) Cl.** **15-99**

(52) **U.S. Cl.**
USPC **D15/199; D21/578; D21/579**

(58) **Field of Classification Search**
USPC D15/126, 138, 199; D21/345, 350, 360, D21/361, 362, 383, 384, 398, 399, 414, D21/415, 418, 428, 455, 467, 503, 504, D21/528, 529, 558, 578, 579, 594, 612, D21/621, 627, 658; D24/138, 155, 185, D24/198, 205, 208, 211, 231, 232; D29/124, 129; D34/35; D99/1, 17, 30, D99/34, 37, 38, 99
CPC G06N 3/00; G06N 3/004; G06N 3/006; G06N 3/008; G06N 5/00; A63H 3/00; G05B 19/00; B25J 9/00; G06C 7/60
See application file for complete search history.

(56) **References Cited**

U.S. PATENT DOCUMENTS

D457,200 S *	5/2002	Dove	D21/533
D549,756 S *	8/2007	Park	D15/199
D592,257 S *	5/2009	Tang	D21/578
D596,244 S *	7/2009	Levy	D21/622
D614,251 S *	4/2010	Chung	D15/199
D635,603 S *	4/2011	Paz Rodriguez	D15/199
D663,333 S *	7/2012	Kitano	D15/199
D663,334 S *	7/2012	Kitano	D15/199

D672,408 S *	12/2012	Ohler	D15/199
D681,133 S *	4/2013	Chen	D15/199
D685,438 S *	7/2013	Fan	D15/199

(Continued)

FOREIGN PATENT DOCUMENTS

JP D1532454 8/2015

OTHER PUBLICATIONS

Best 'smart home' robots of CES 2017, posted on mirror.co.uk, posted Jan. 6, 2017, no production date given, [online], [site visited Jul. 10, 2017], Available from Internet, <URL: <http://www.mirror.co.uk/tech/best-smart-home-robots-ces-9567893>>.*

(Continued)

Primary Examiner — Melanie H Tung
Assistant Examiner — Fritzgerald L Butac
(74) *Attorney, Agent, or Firm* — Panasonic IP Management; Kerry S. Culpepper

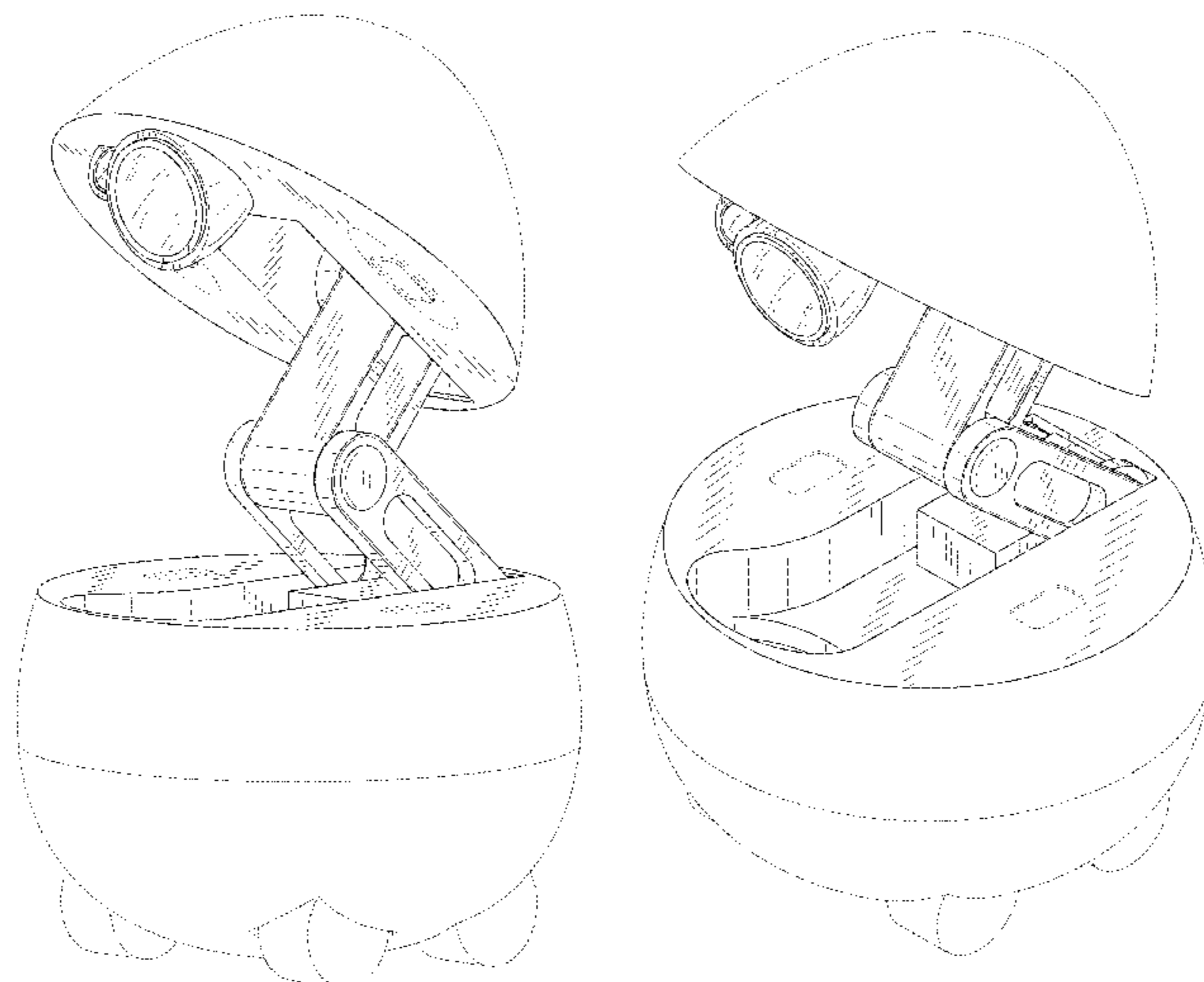
(57) **CLAIM**

I claim the ornamental design for a robot, as shown and described.

DESCRIPTION

FIG. 1 is a first front perspective view of a robot of the present invention;
FIG. 2 is a second front perspective view thereof;
FIG. 3 is a front view thereof;
FIG. 4 is a rear view thereof;
FIG. 5 is a first side view thereof;
FIG. 6 is a second side view thereof;
FIG. 7 is a top view thereof;
FIG. 8 is a bottom view thereof;
FIG. 9 is an end view taken along the line 9-9 in FIG. 3; and,
FIG. 10 is a front perspective view in a closed state.
The broken lines showing portions of the robot forms no part of the claimed design.

1 Claim, 10 Drawing Sheets



US D814,541 S

(56)

References Cited

U.S. PATENT DOCUMENTS

D687,907 S * 8/2013 Hoang D15/199
D703,415 S * 4/2014 Khan A61G 17/08
D99/5
8,715,210 B2 * 5/2014 Orlando A61H 7/003
219/201
8,788,096 B1 * 7/2014 Sokol B25J 5/007
280/298
D710,953 S * 8/2014 Katsutani D15/199
8,814,629 B2 * 8/2014 Johnston A63H 33/003
273/359
D717,888 S * 11/2014 Lee D21/578
D719,620 S * 12/2014 Clerc B25J 5/007
D15/199
D734,821 S * 7/2015 Greaves D15/199
D736,117 S * 8/2015 Stone D12/1
D761,894 S * 7/2016 Ho D15/199
D764,605 S * 8/2016 Ueda D21/578

D765,180 S * 8/2016 Huang D20/5
D765,750 S * 9/2016 Miller D15/199
D774,148 S * 12/2016 Hong D21/578
D779,137 S * 2/2017 Taylor D32/1
D780,271 S * 2/2017 Liu D21/630
D780,855 S * 3/2017 Lambert D21/621
D789,241 S * 6/2017 Cao D11/121

OTHER PUBLICATIONS

Panasonic Demonstrates Desktop “Companion” Robot at CES 2017, posted on news.panasonic.com, no production date given, [online], [site visited Jul. 10, 2017], Available from Internet, <URL: <http://news.panasonic.com/global/stories/2017/45856.html>>.*
Adorable Egg-Shaped Robots, posted on trendhunter.com, posted Jun. 8, 2016, no production date given, [online], [site visited Jan. 10, 2017], Available from Internet, <URL: <https://www.trendhunter.com/trends/companion-robot>>.*

* cited by examiner

FIG. 1

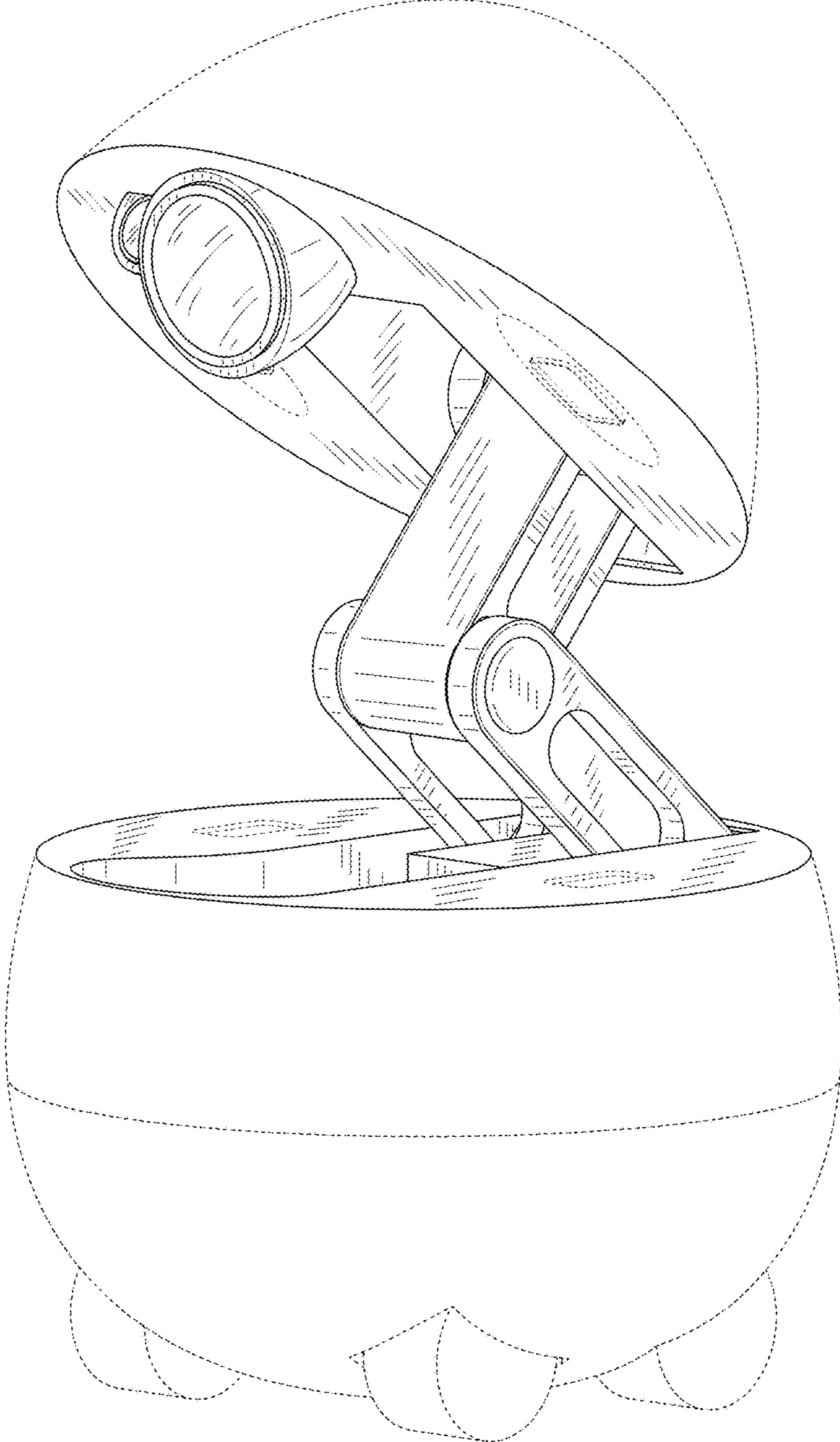


FIG. 2

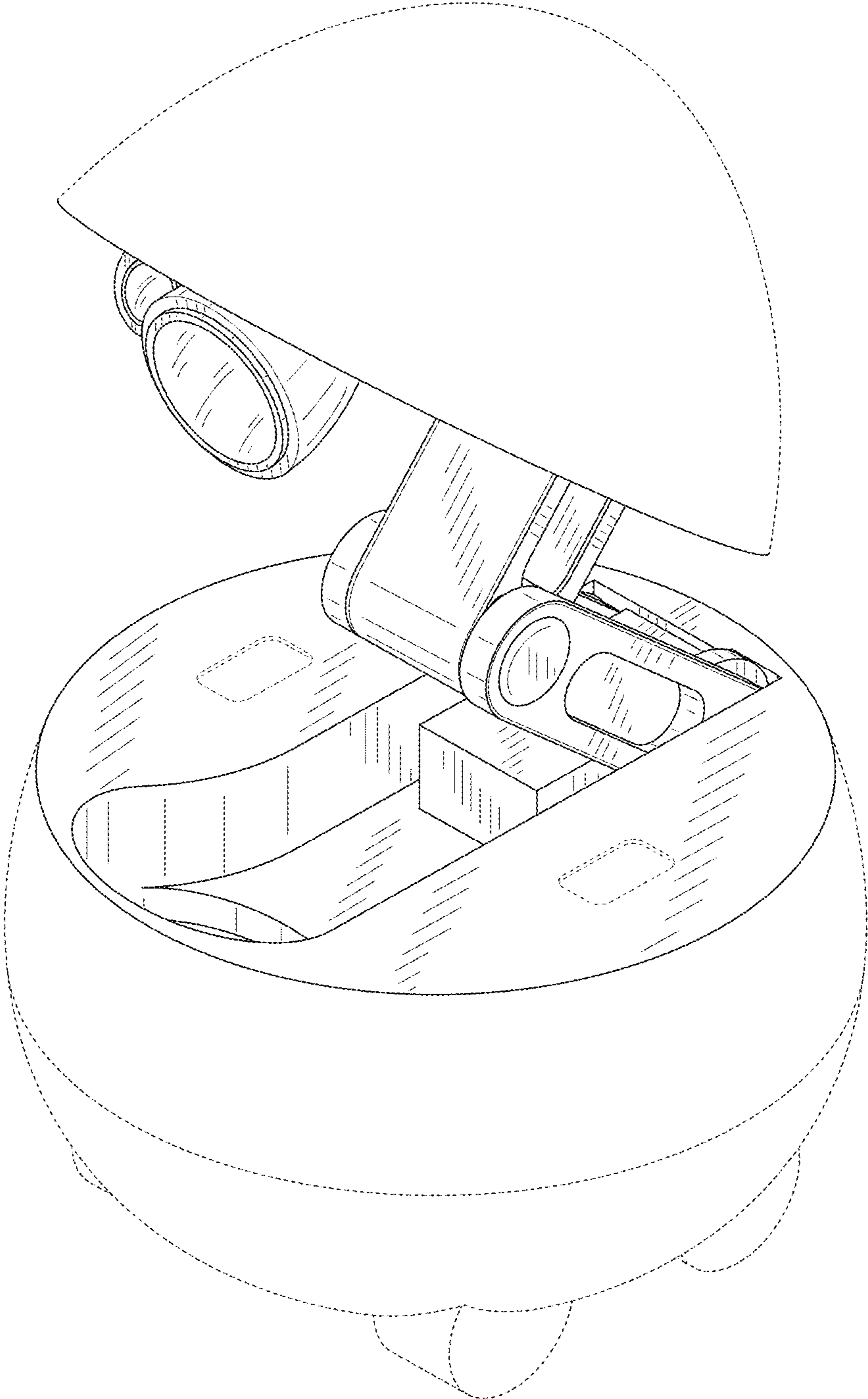


FIG. 3

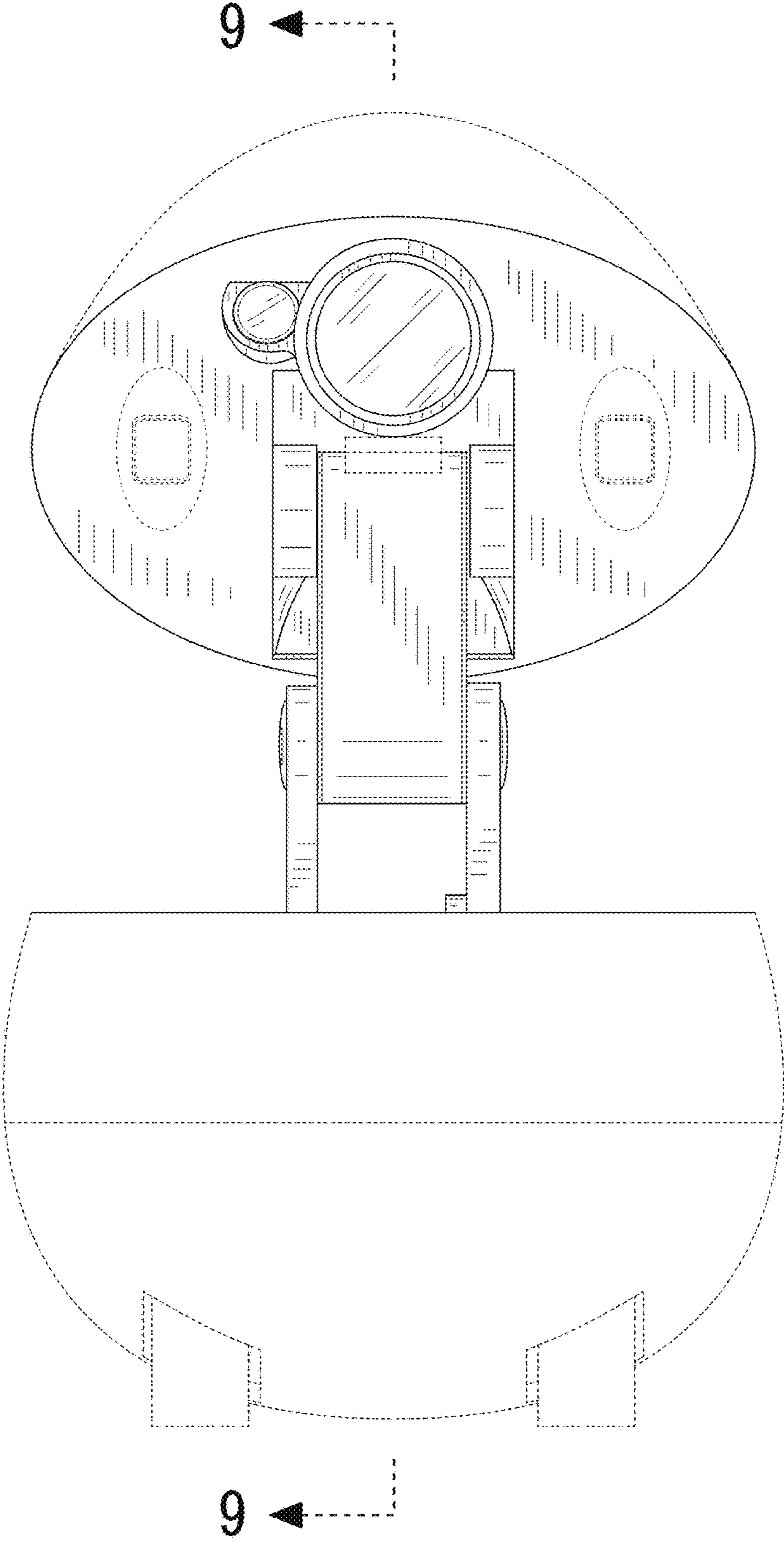


FIG. 4

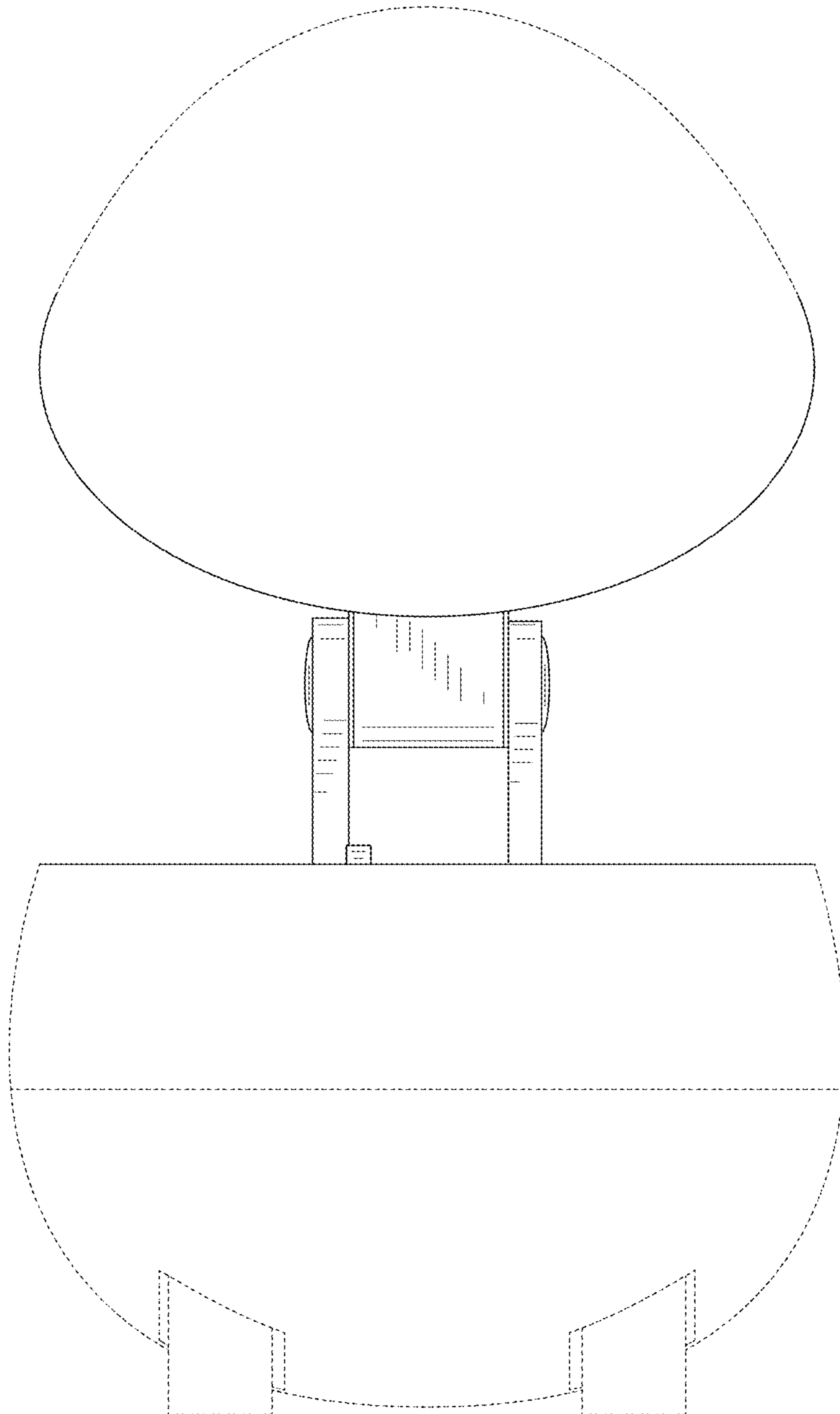


FIG. 5

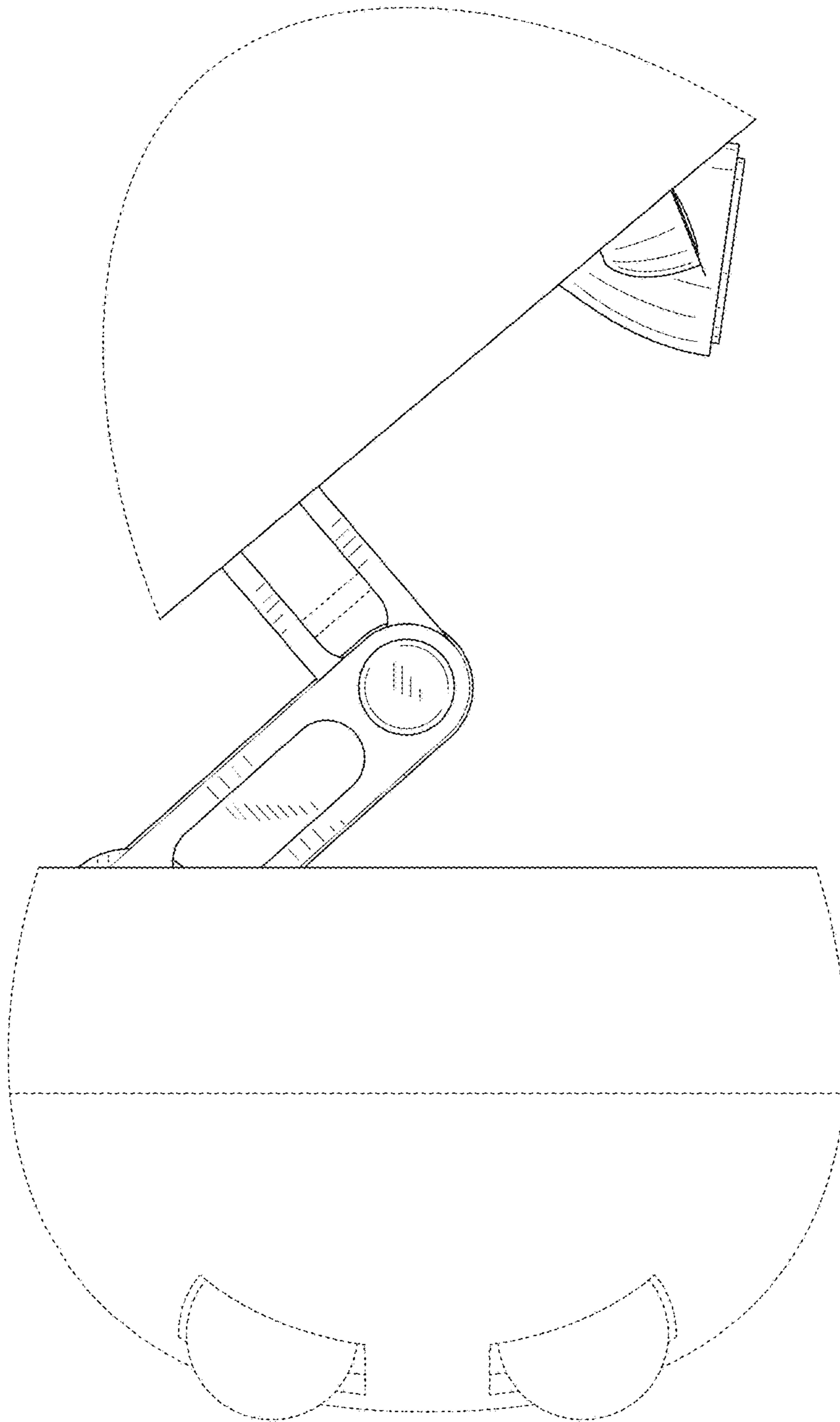


FIG. 6

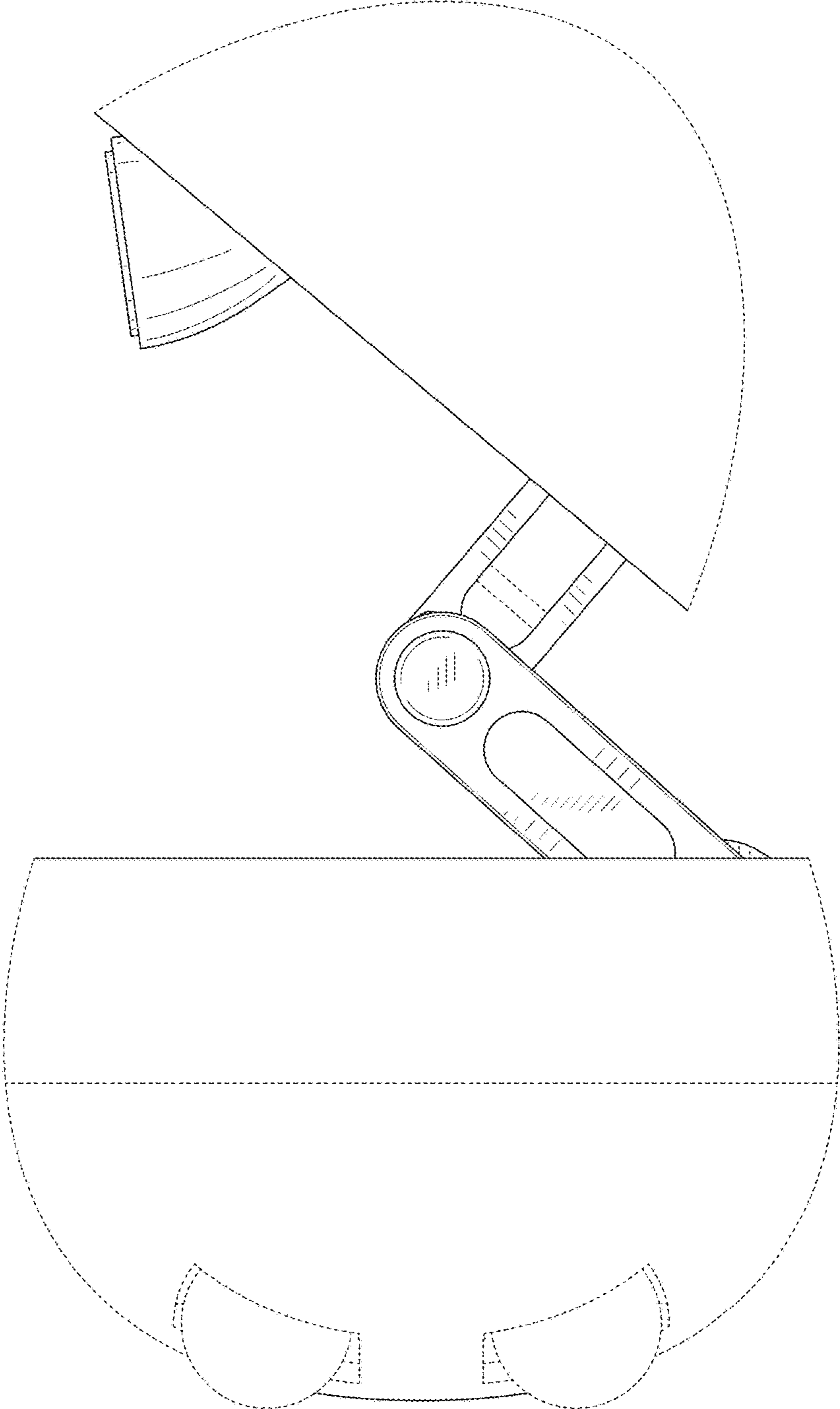


FIG. 7

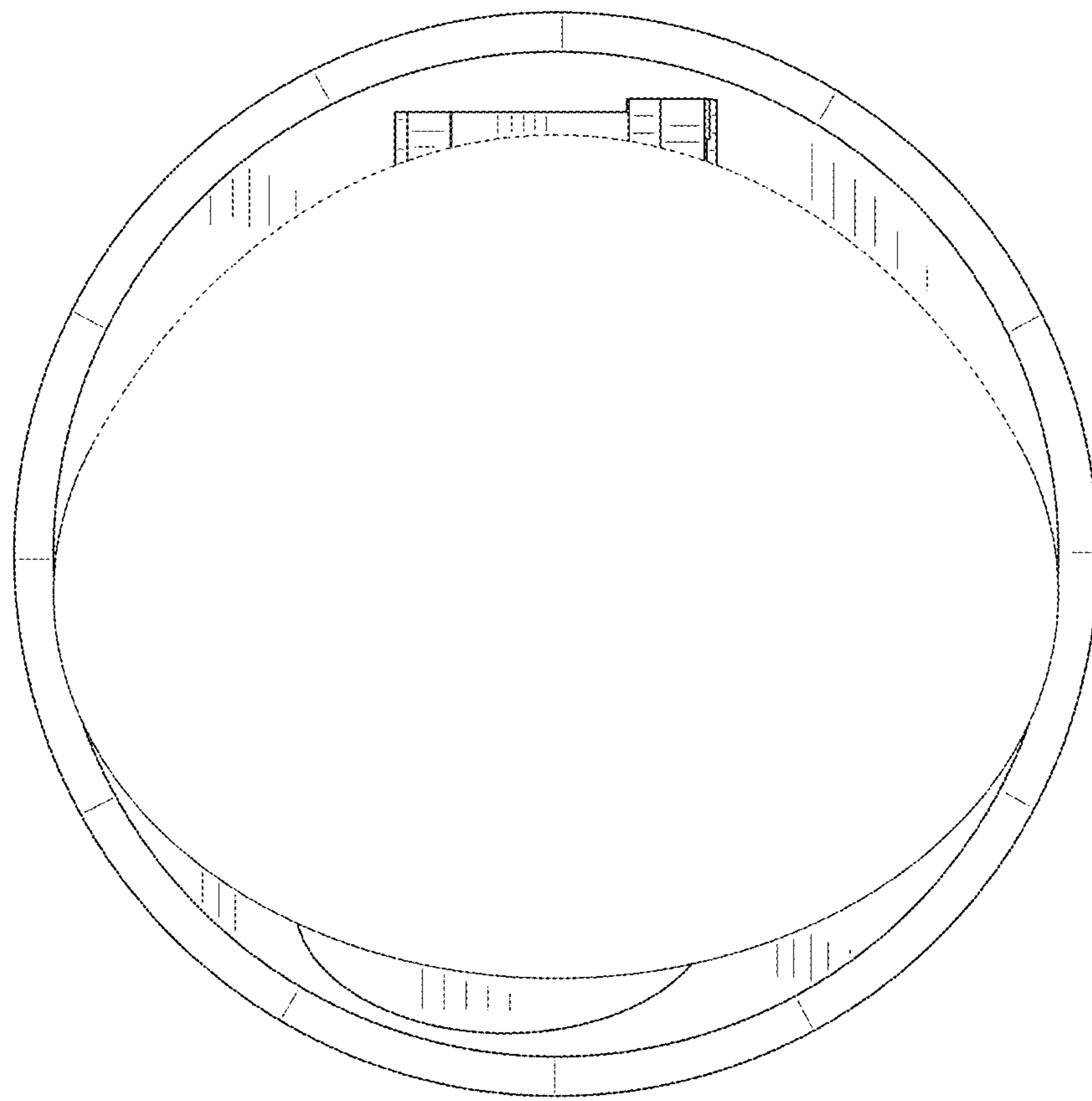


FIG. 8

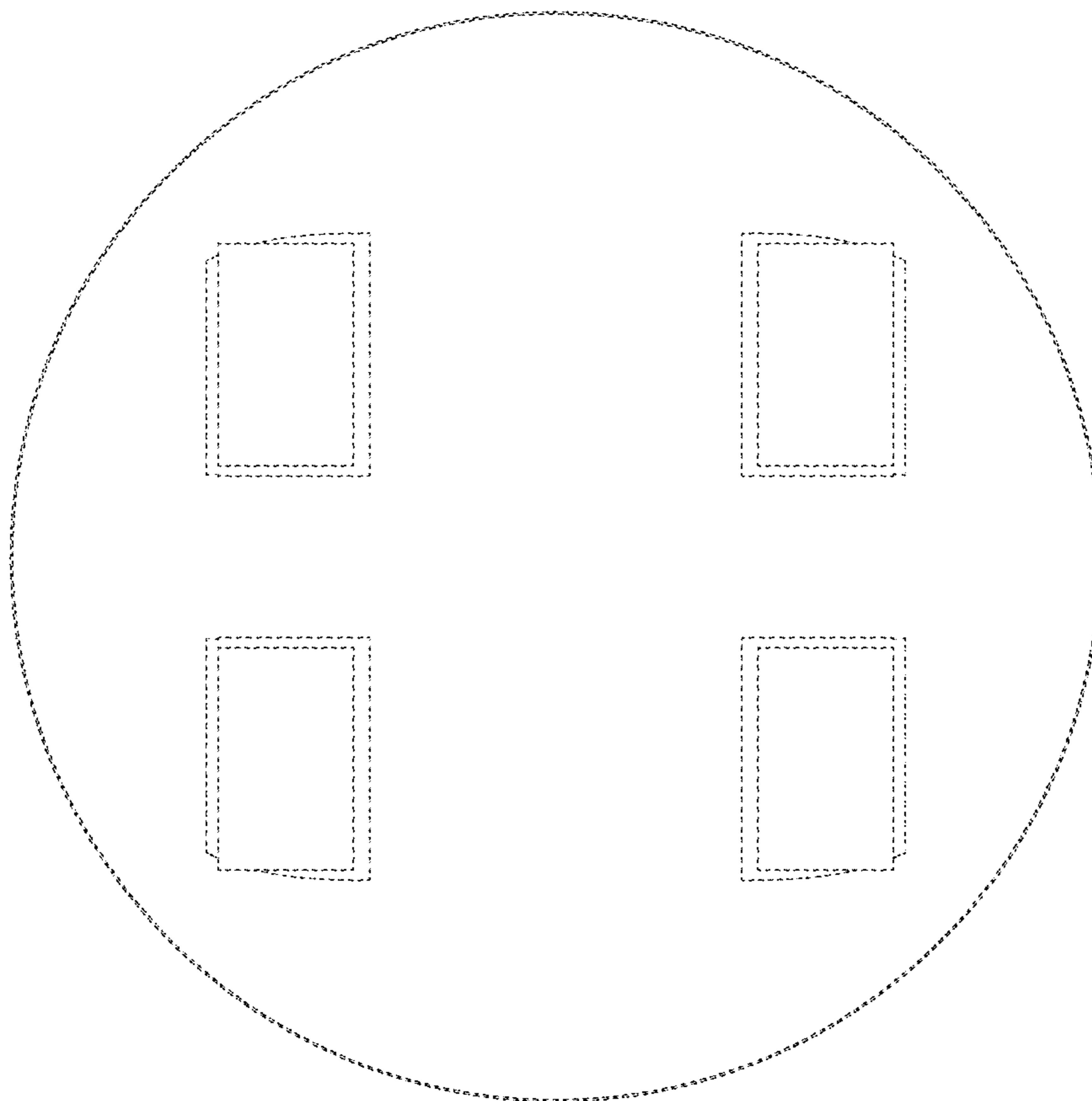


FIG. 9

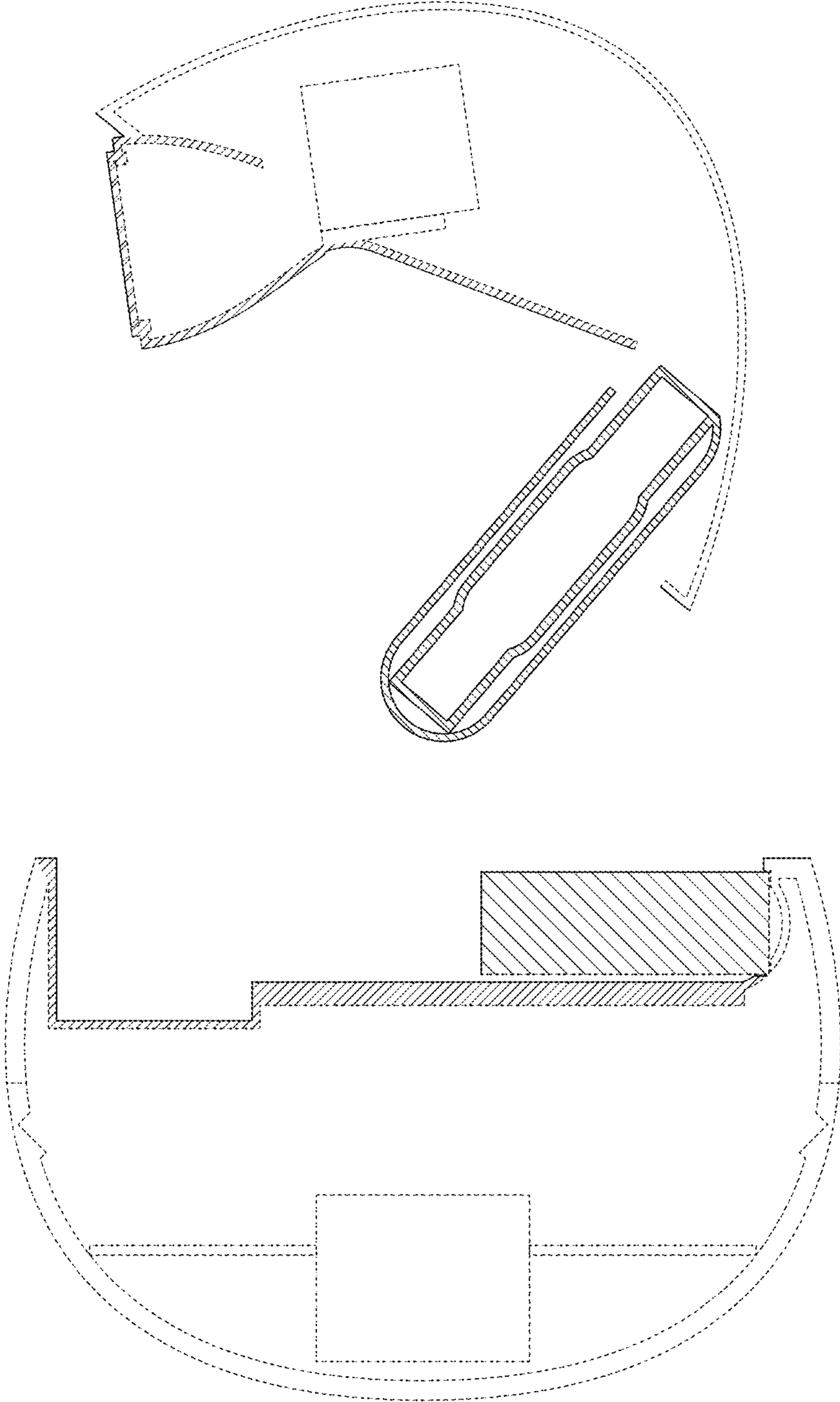


FIG. 10

