



US00D814536S

(12) **United States Design Patent**
Kawakami

(10) **Patent No.:** **US D814,536 S**
(45) **Date of Patent:** **** Apr. 3, 2018**

- (54) **DRILL**
- (71) Applicant: **SUMITOMO ELECTRIC HARDMETAL CORP.**, Itami-shi (JP)
- (72) Inventor: **Yuma Kawakami**, Itami (JP)
- (73) Assignee: **Sumitomo Electric Hardmetal Corp.**, Itami-shi (JP)
- (**) Term: **15 Years**
- (21) Appl. No.: **29/596,244**
- (22) Filed: **Mar. 7, 2017**
- (30) **Foreign Application Priority Data**

Sep. 9, 2016 (JP) 2016-019605

- (51) **LOC (11) Cl.** **15-09**
- (52) **U.S. Cl.**
USPC **D15/139**
- (58) **Field of Classification Search**
USPC D8/70; D15/131, 138, 139
CPC ... B23B 31/005; B23B 51/02; B23B 2226/75;
B23B 2251/248; B23B 2260/072; B23C
5/10; B23D 77/00; B23G 5/064; Y10T
407/19; Y10T 408/907
See application file for complete search history.

(56) **References Cited**

U.S. PATENT DOCUMENTS

- 5,622,462 A * 4/1997 Gakhar B23B 51/02
408/230
- 2010/0054881 A1 * 3/2010 Thomas B23B 51/02
408/1 BD
- 2012/0003057 A1 * 1/2012 Leyba B23B 31/005
408/226
- 2012/0034043 A1 * 2/2012 Krieg B23B 51/02
408/230

- 2012/0087753 A1 * 4/2012 Kataoka B23B 51/02
408/1 R
- 2012/0201619 A1 * 8/2012 Olsson B23B 51/02
408/230
- 2012/0256144 A1 * 10/2012 Pierce B23B 51/00
254/134.3 R
- 2013/0307178 A1 * 11/2013 Kress B23B 51/009
264/156
- 2014/0183827 A1 * 7/2014 Keightley B23B 31/005
279/30
- 2014/0193220 A1 * 7/2014 Tamura B23B 51/02
408/230
- 2014/0294529 A1 * 10/2014 Takai B23B 51/02
408/229
- 2015/0071718 A1 * 3/2015 Kauper B23B 51/02
407/54
- 2015/0283624 A1 * 10/2015 Jindai B23B 51/02
408/230

(Continued)

Primary Examiner — Patricia A Palasik

(74) *Attorney, Agent, or Firm* — Venable LLP; Michael A. Sartori; Miguel A. Lopez

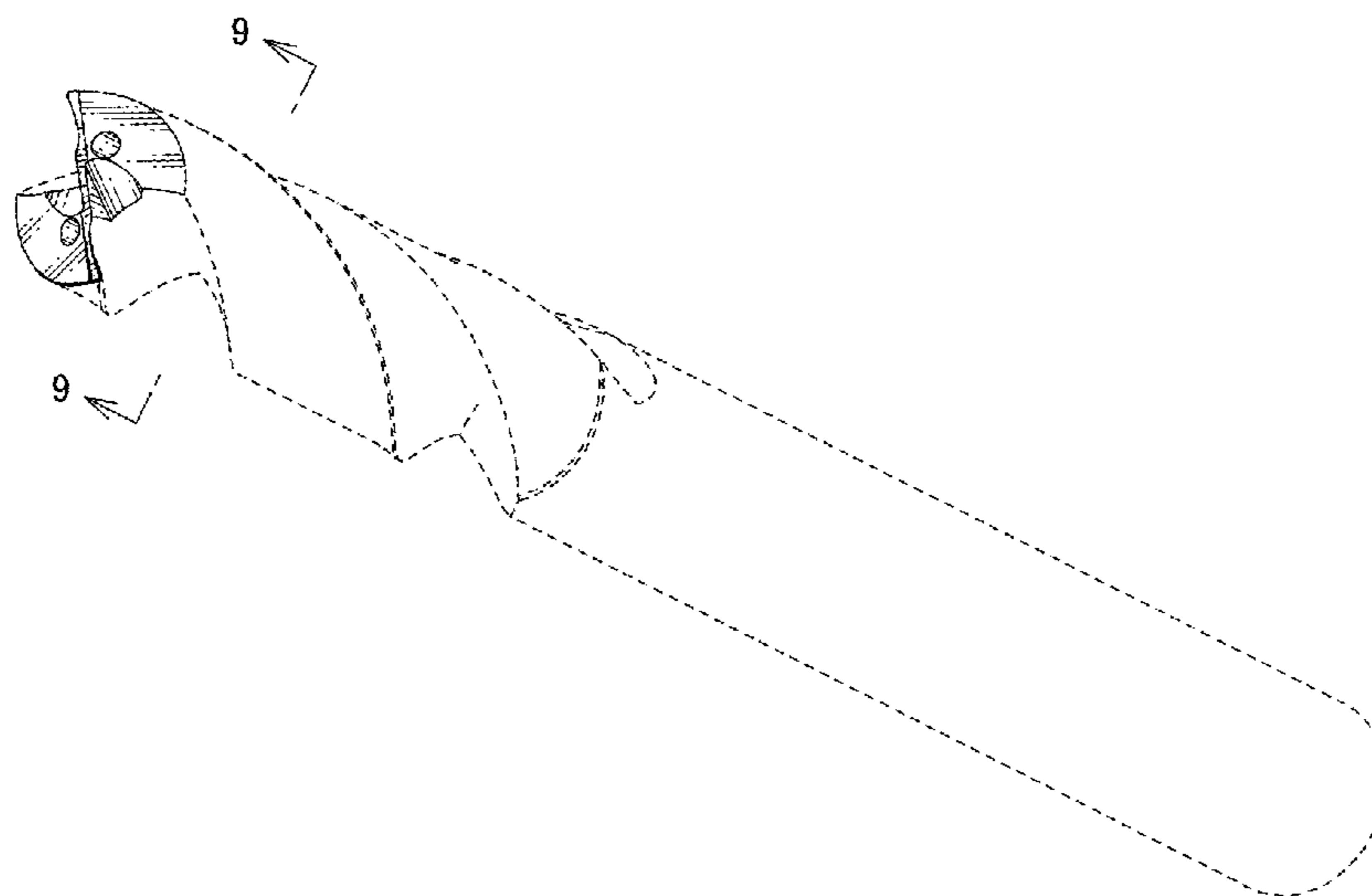
(57) **CLAIM**

The ornamental design for a drill, as shown and described.

DESCRIPTION

FIG. 1 is a front view of a drill in accordance with Embodiment of the present design;
 FIG. 2 is a rear view thereof;
 FIG. 3 is a top view thereof;
 FIG. 4 is a bottom view thereof;
 FIG. 5 is a right side view thereof;
 FIG. 6 is a left side view thereof;
 FIG. 7 is an enlarged view of FIG. 6;
 FIG. 8 is a perspective view thereof; and,
 FIG. 9 is an enlarged view of 9-9 portion of FIG. 8.
 The broken line showing of environmental structures is for illustrative purposes only and forms no part of the claimed design.

1 Claim, 3 Drawing Sheets



(56)

References Cited

U.S. PATENT DOCUMENTS

2015/0283625 A1* 10/2015 Sato B23B 51/02
408/230
2015/0321267 A1* 11/2015 Takai B23B 51/06
408/59
2016/0052069 A1* 2/2016 Kauper B23B 51/02
408/144
2016/0151842 A1* 6/2016 Bjork B23B 51/06
408/59
2016/0228130 A1* 8/2016 Koljaka A61B 17/1615
2016/0228954 A1* 8/2016 Lemmer B23B 51/009
2017/0021434 A1* 1/2017 Kauper B23C 5/16
2017/0056981 A1* 3/2017 Higashiwaki B23B 35/00
2017/0100784 A1* 4/2017 Frota de Souza
Filho B23B 51/06
2017/0232529 A1* 8/2017 Kawakami B23B 51/02
408/230
2017/0274460 A1* 9/2017 Jindai B23B 51/02

* cited by examiner

FIG.1



FIG.2



FIG.3

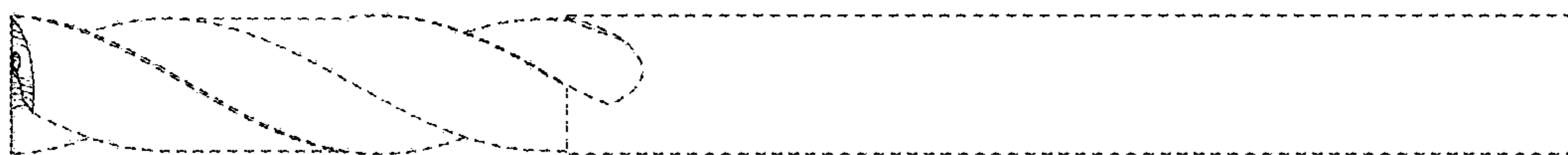


FIG.4

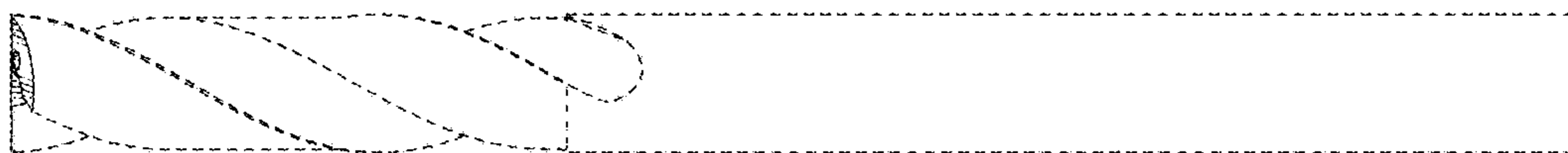


FIG.5

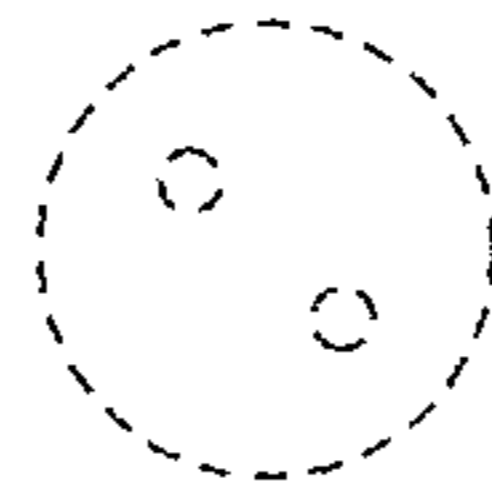


FIG.6

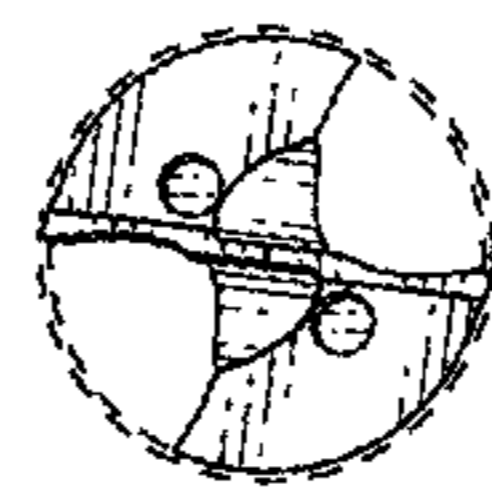


FIG.7

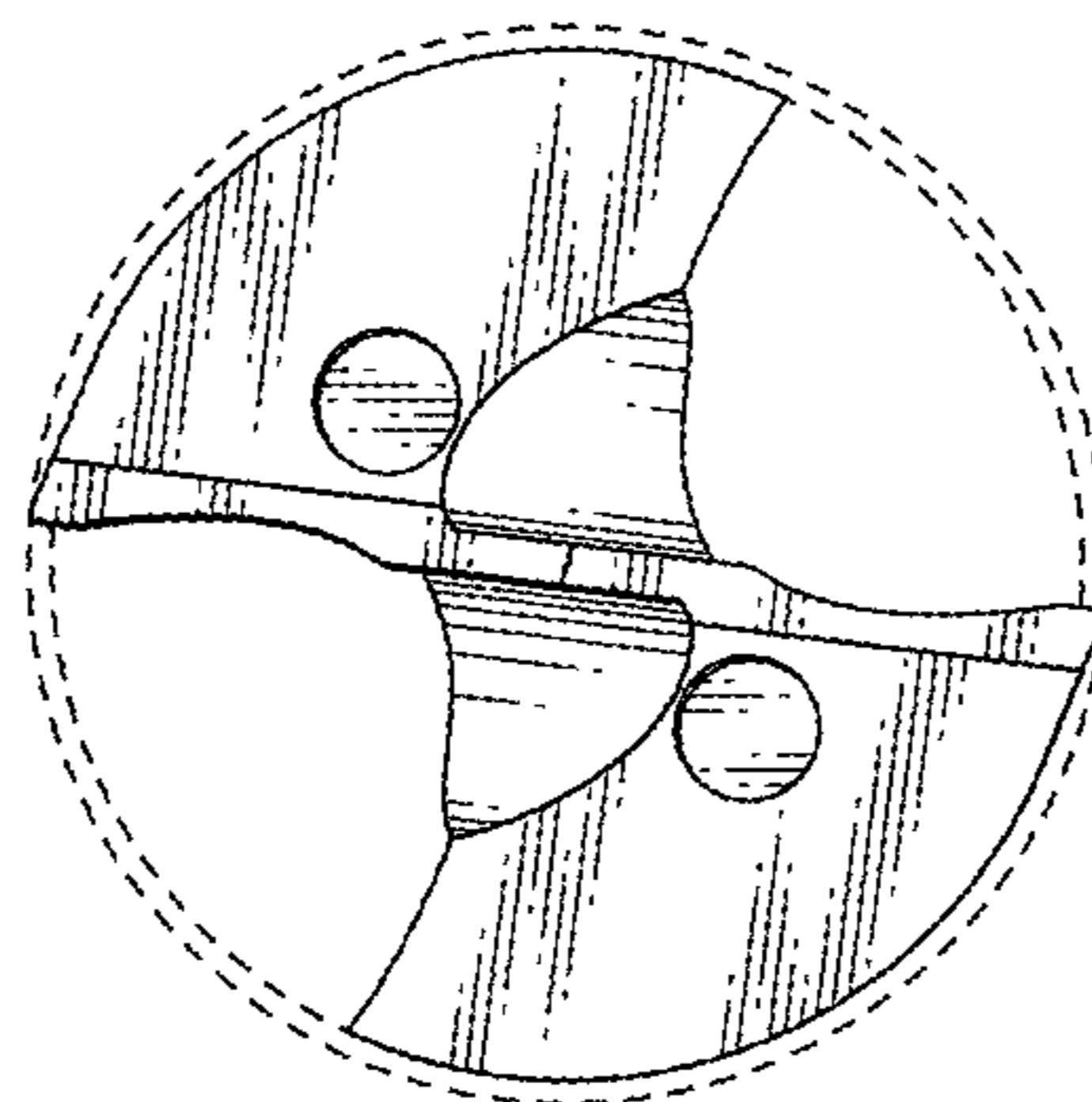


FIG.8

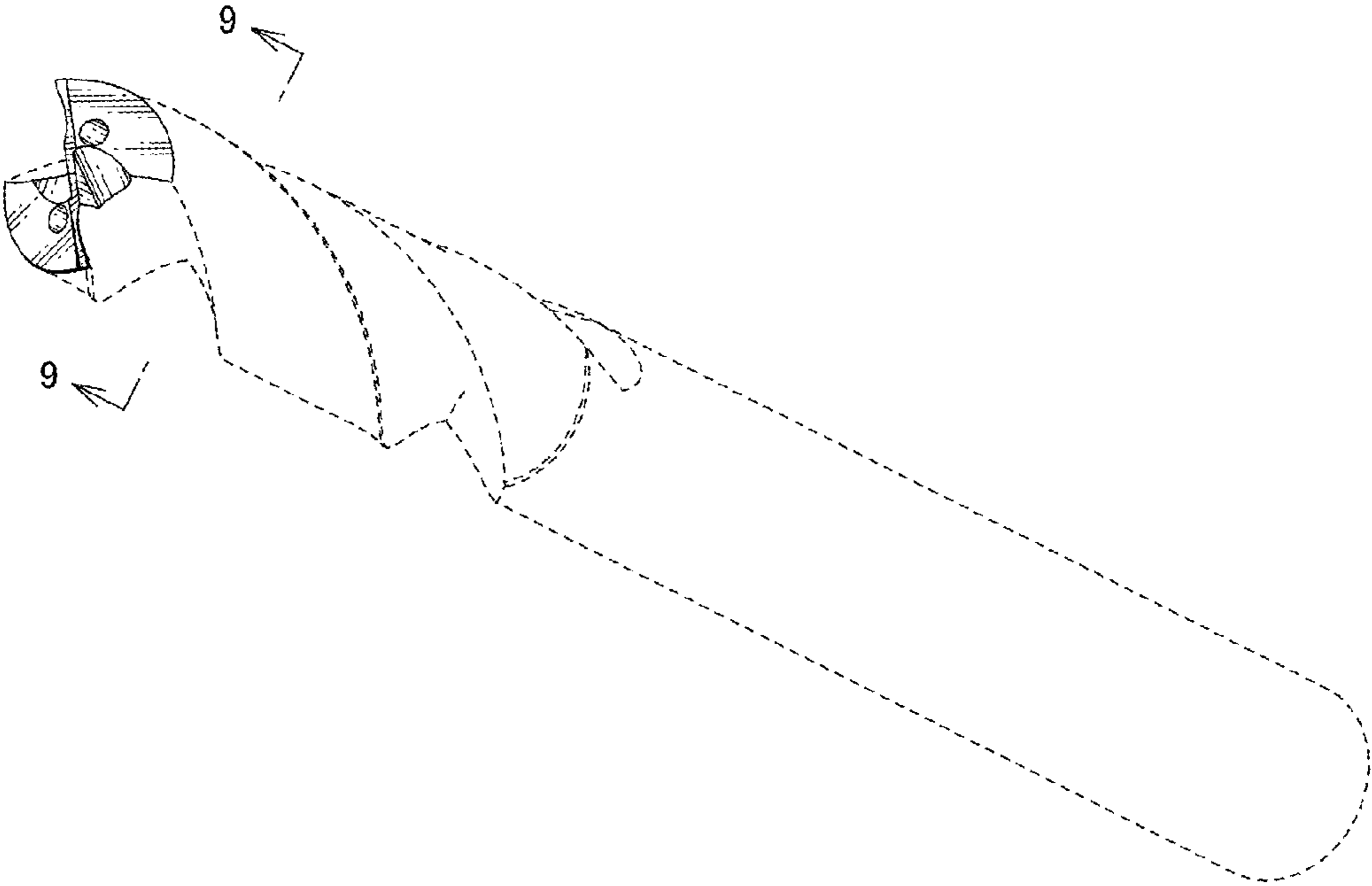


FIG.9

