



US00D814535S

(12) **United States Design Patent**  
**Kuo**

(10) **Patent No.:** **US D814,535 S**

(45) **Date of Patent:** **\*\* Apr. 3, 2018**

(54) **COLLAPSIBLE MITER SAW**

(71) Applicant: **Rexon Industrial Corp., Ltd.**,  
Taichung (TW)

(72) Inventor: **Ya pin Kuo**, Taichung (TW)

(73) Assignee: **REXON INDUSTRIAL CORP., LTD.**,  
Taichung (TW)

(\*\*) Term: **15 Years**

(21) Appl. No.: **29/557,720**

(22) Filed: **Mar. 11, 2016**

(51) **LOC (11) Cl.** ..... **15-03**

(52) **U.S. Cl.**  
USPC ..... **D15/133**

(58) **Field of Classification Search**  
USPC ..... D15/9, 17, 124-134, 138-143, 28-29;  
D10/64, 65; D8/8, 66, 70  
CPC ..... B23D 45/024; B23D 45/048;  
B23D 57/0053; B23D 57/023; B23D  
61/12; B23D 61/121; B23D 61/185  
See application file for complete search history.

(56) **References Cited**

**U.S. PATENT DOCUMENTS**

D435,569 S \* 12/2000 Hollinger ..... D15/133  
D532,801 S \* 11/2006 Wright ..... D15/133

D539,108 S \* 3/2007 Roberts ..... D8/66  
D566,142 S \* 4/2008 Gavins ..... D15/133  
D608,375 S \* 1/2010 Kokawa ..... D15/133  
D620,033 S \* 7/2010 Fujiwara ..... D15/133  
D757,830 S \* 5/2016 Elder ..... D15/133  
D761,337 S \* 7/2016 Eiswerth ..... D15/133

\* cited by examiner

*Primary Examiner* — Ian Simmons

*Assistant Examiner* — Khawaja Anwar

(74) *Attorney, Agent, or Firm* — Bacon & Thomas, PLLC

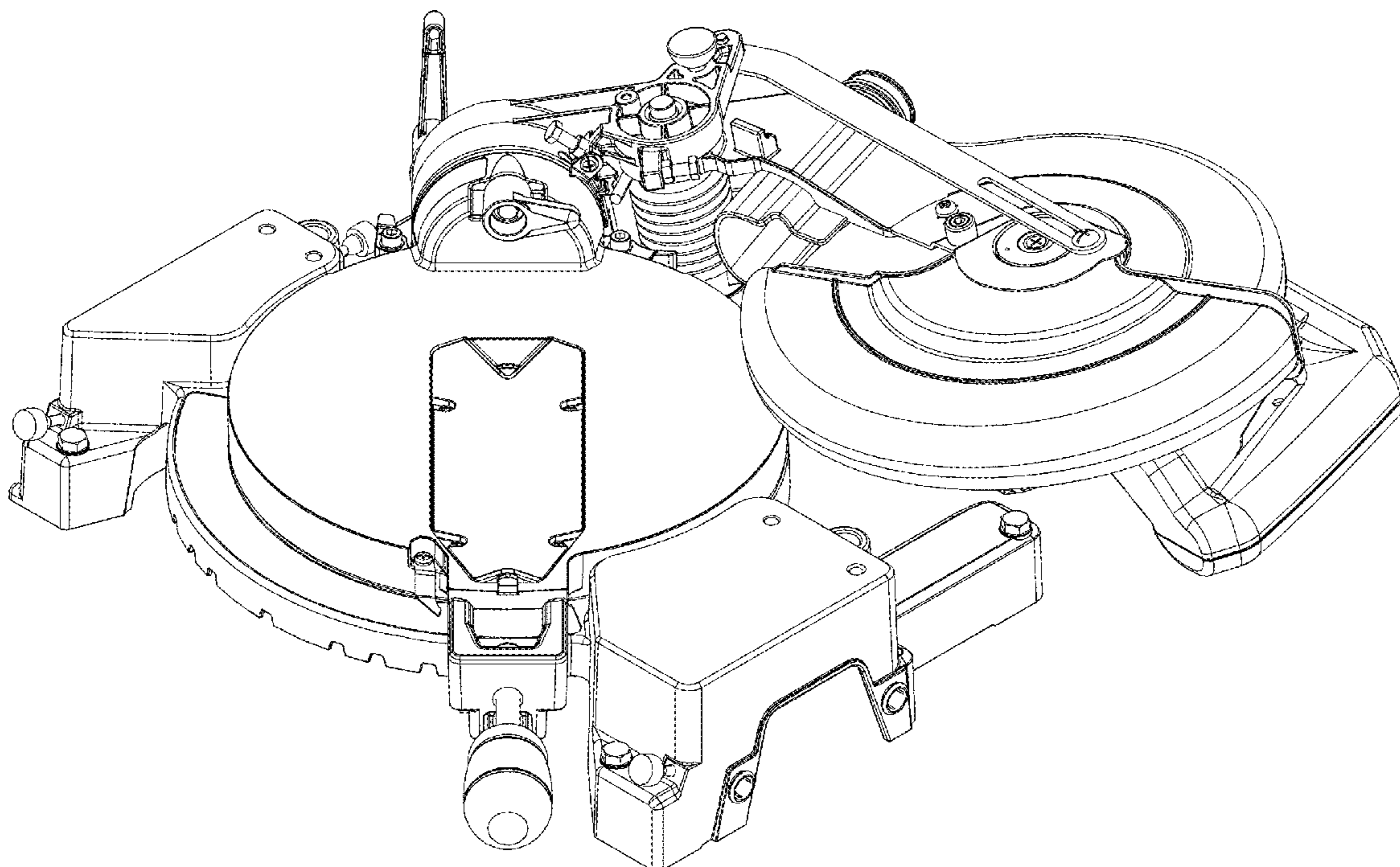
(57) **CLAIM**

The ornamental design for a collapsible miter saw, as shown and described.

**DESCRIPTION**

FIG. 1 is a perspective view of the design for collapsible miter saw according to the present disclosure; FIG. 2 is a front elevational view thereof; FIG. 3 is a rear elevational view thereof; FIG. 4 is a left side elevational view thereof; FIG. 5 is a right side elevational view thereof; FIG. 6 is a bottom plan view thereof; FIG. 7 is a top plan view thereof; and, FIG. 8 is a perspective view of the collapsible miter saw according to the present disclosure, wherein the collapsible miter saw is in an operating configuration.

**1 Claim, 8 Drawing Sheets**



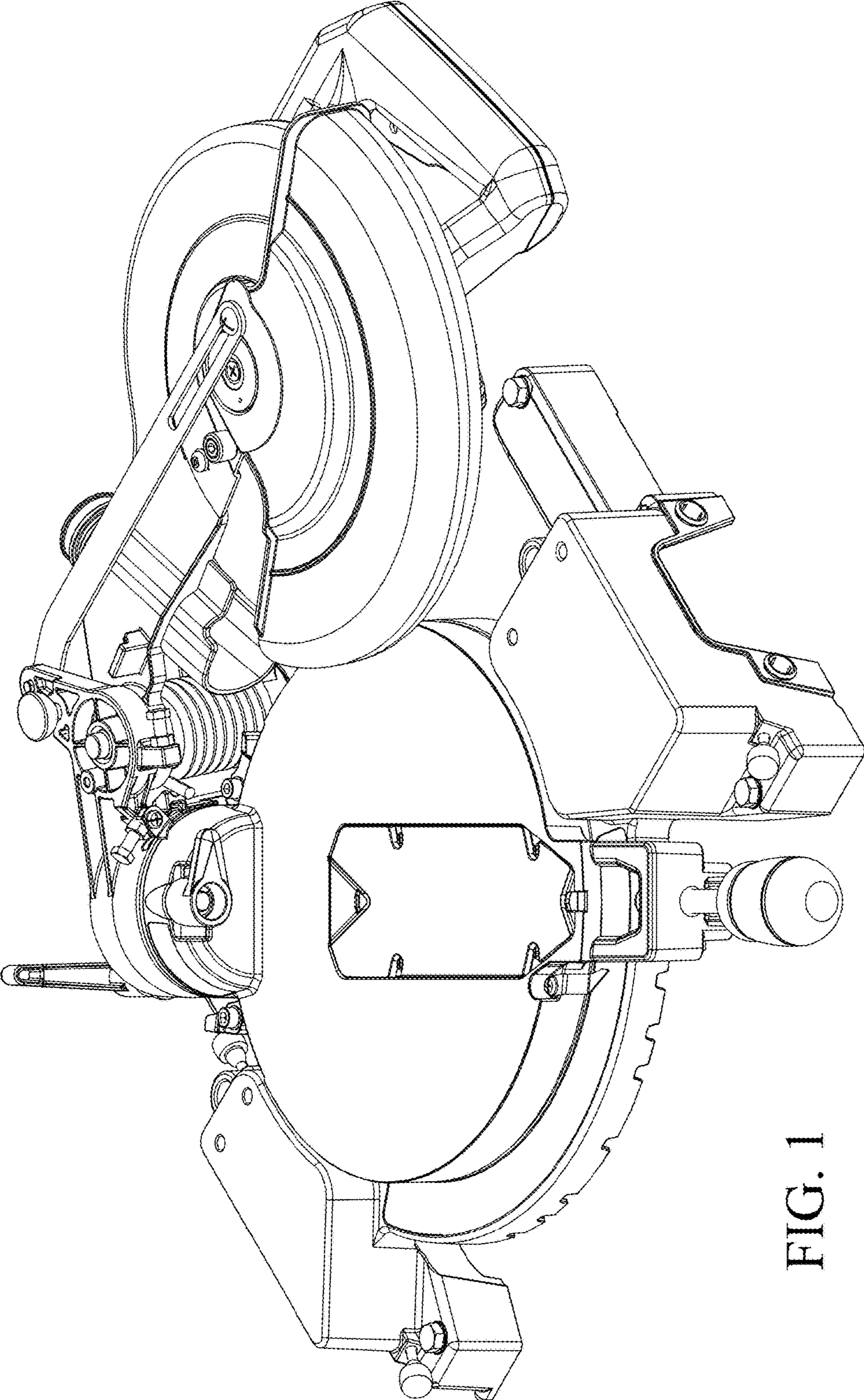


FIG. 1



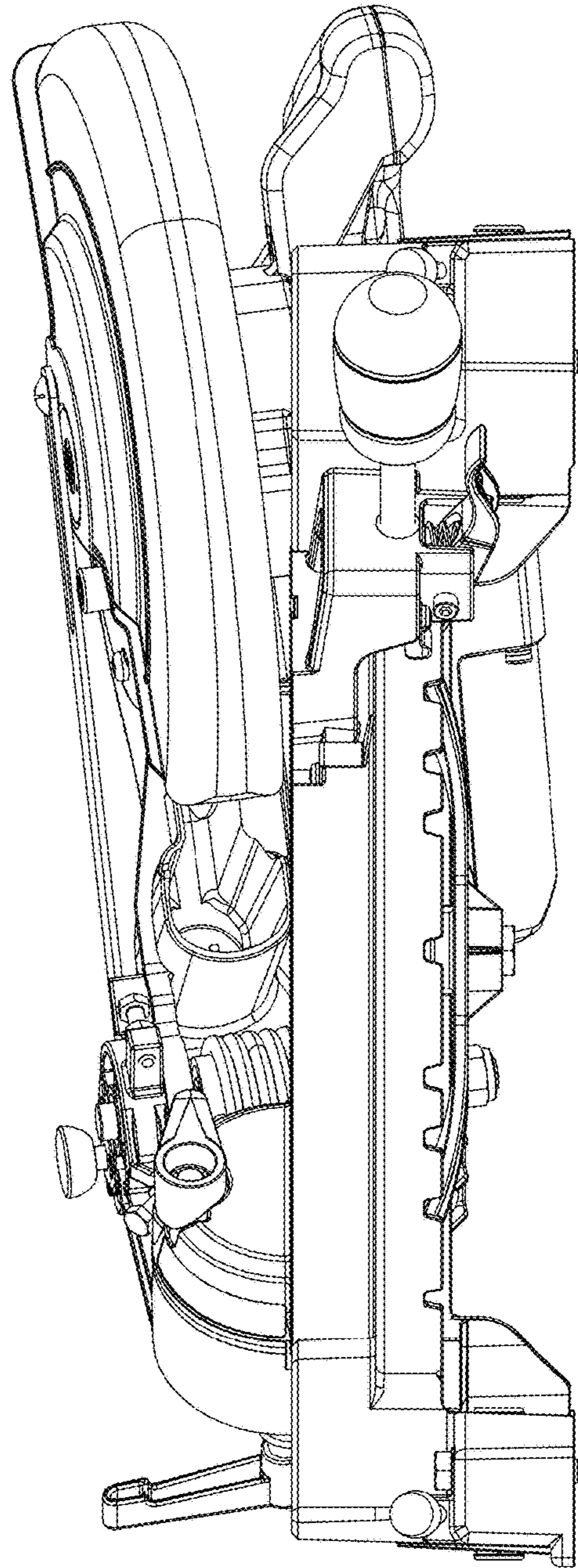


FIG. 2

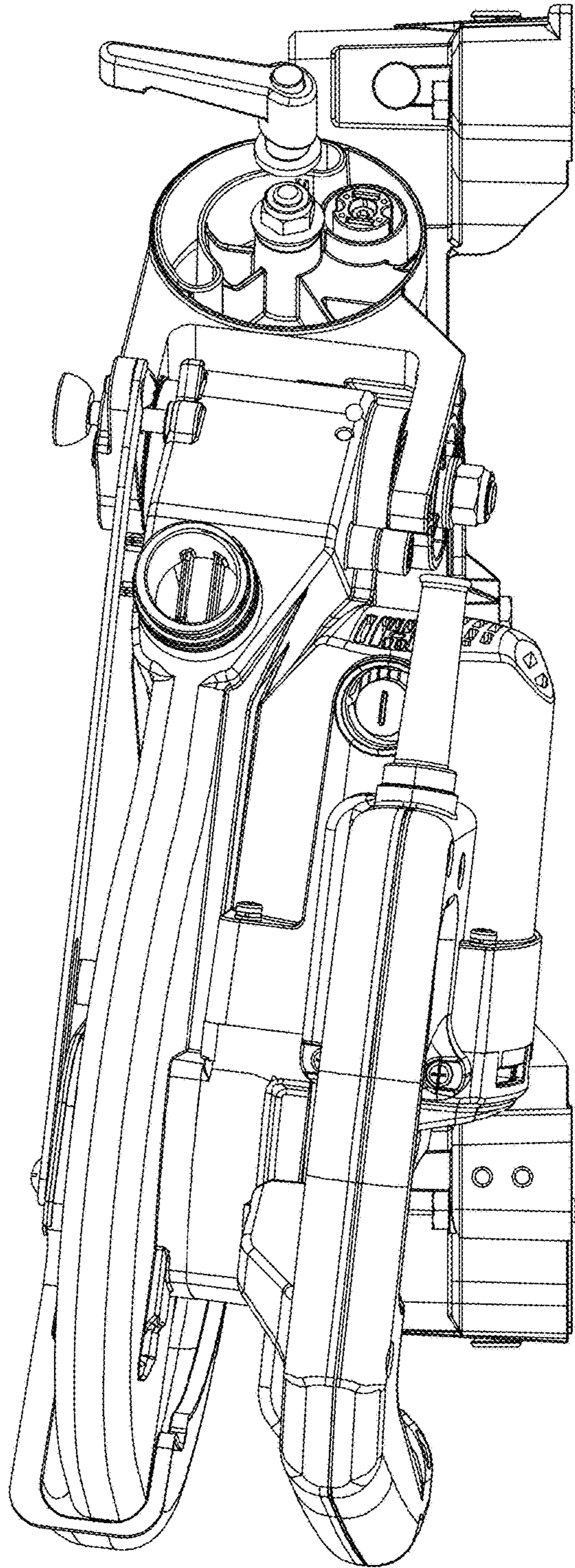


FIG. 3

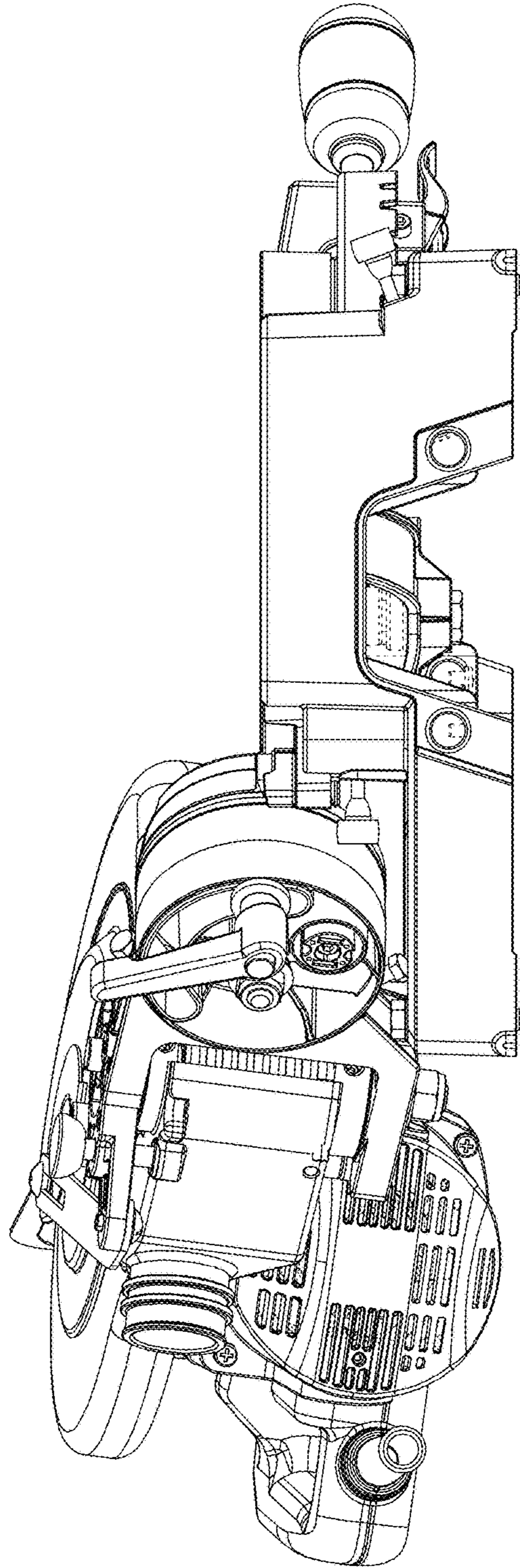


FIG. 4



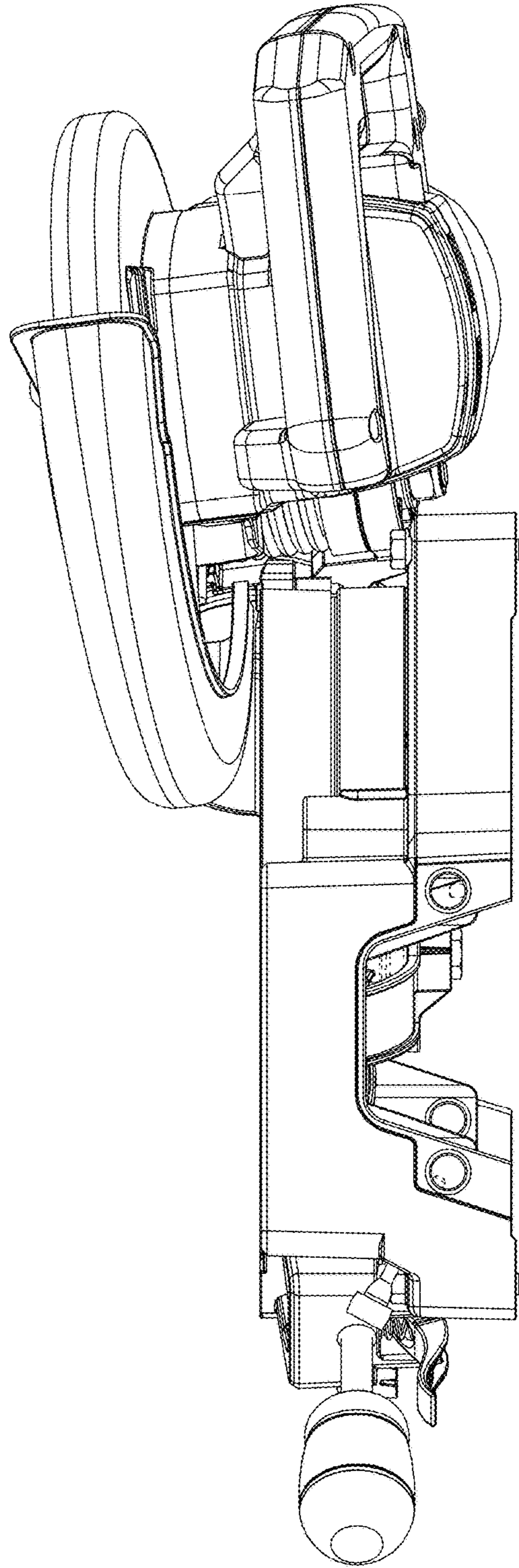


FIG. 5

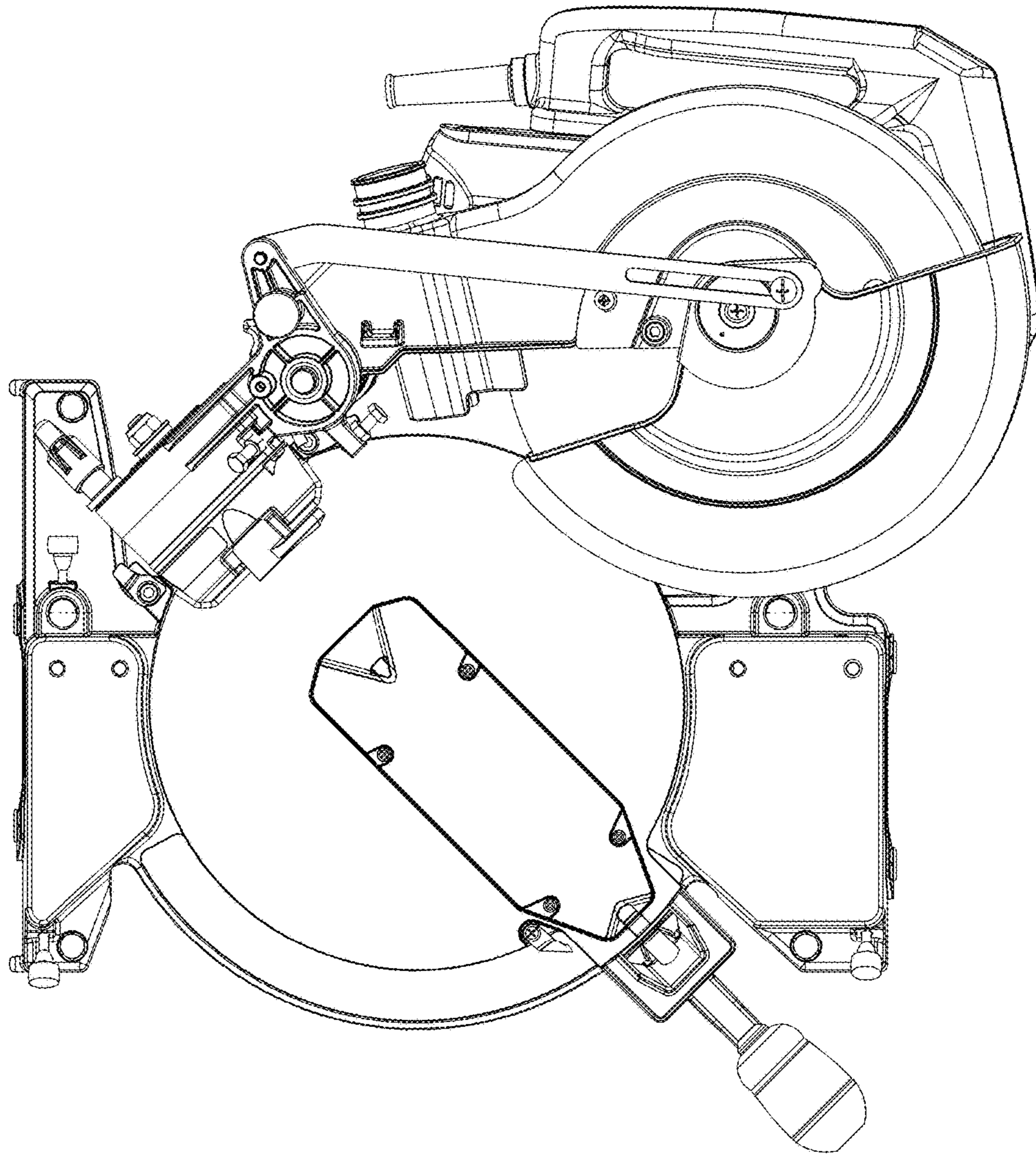


FIG. 6

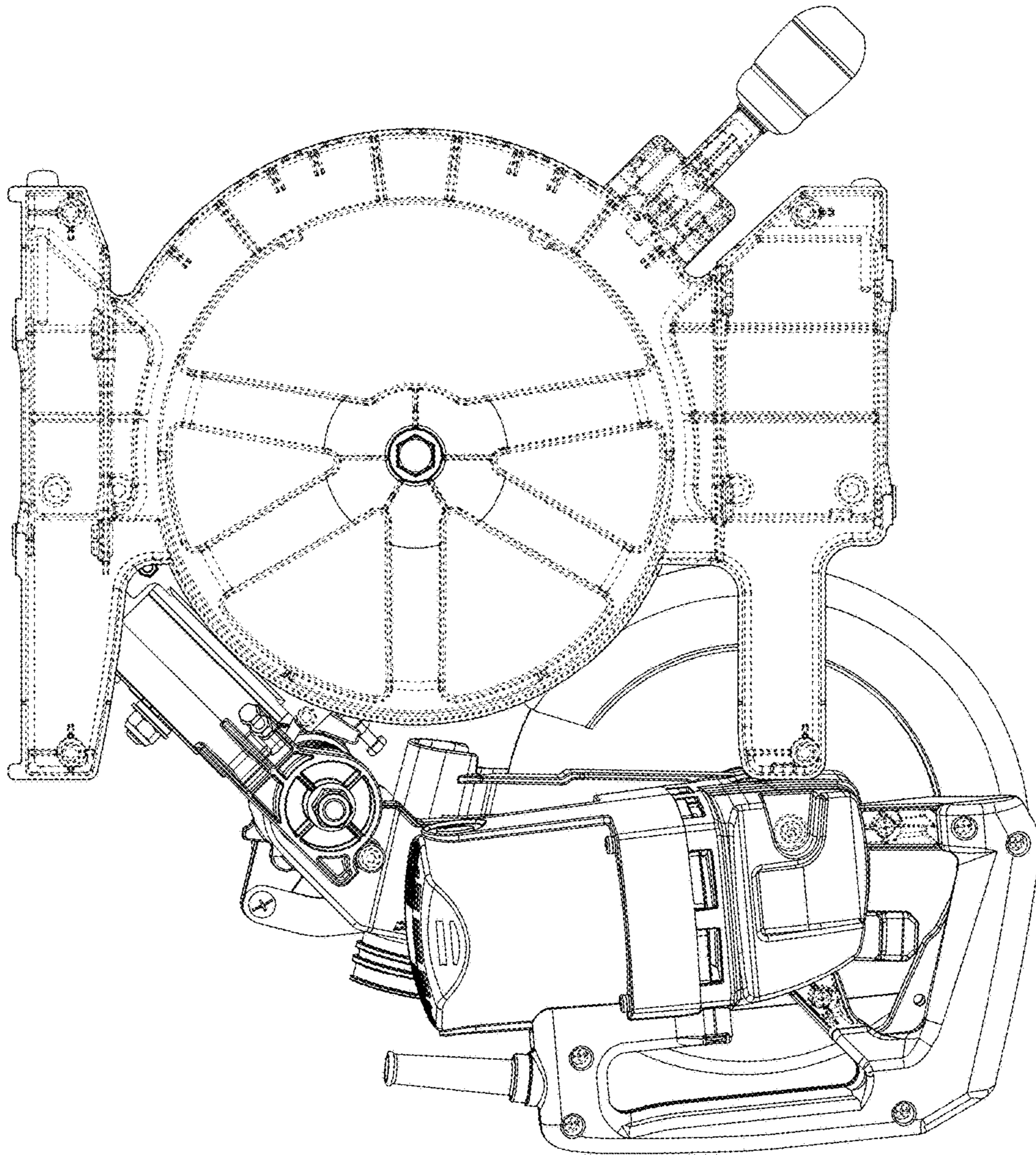


FIG. 7



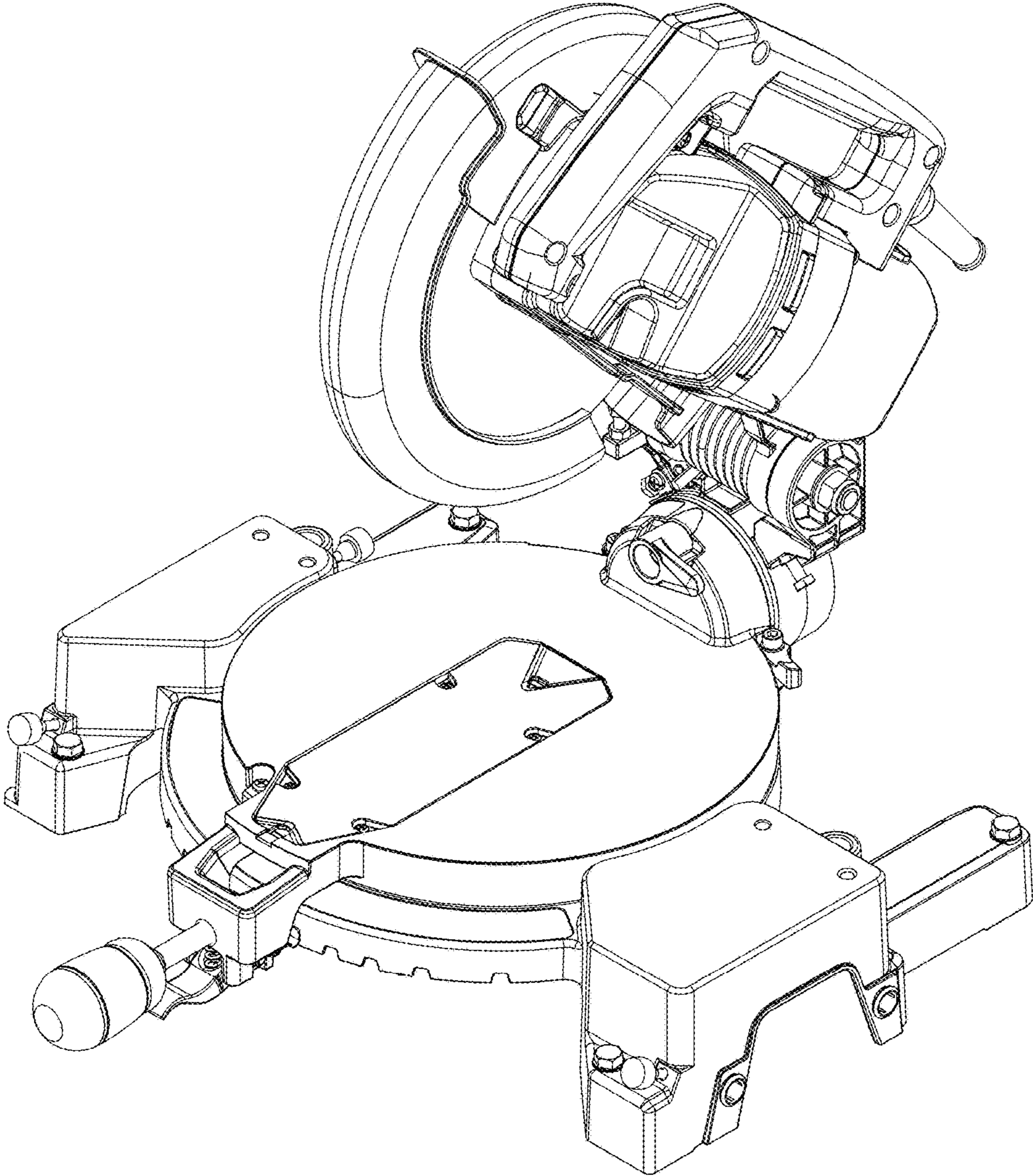


FIG. 8