



US00D814534S

(12) **United States Design Patent** (10) **Patent No.:** **US D814,534 S**
Yamada et al. (45) **Date of Patent:** **** *Apr. 3, 2018**

(54) **LATCH HANDLE FOR FREEZER**
(71) Applicant: **PANASONIC HEALTHCARE HOLDINGS CO., LTD.**, Minato-ku, Tokyo (JP)
(72) Inventors: **Fumio Yamada**, Gunma (JP); **Akihiro Mochizuki**, Gunma (JP); **Tadashi Okada**, Saitama (JP)
(73) Assignee: **PANASONIC HEALTHCARE HOLDINGS CO., LTD.**, Tokyo (JP)
(*) Notice: This patent is subject to a terminal disclaimer.
(**) Term: **15 Years**
(21) Appl. No.: **29/570,514**
(22) Filed: **Jul. 8, 2016**
(30) **Foreign Application Priority Data**

Jan. 20, 2016 (JP) 2016-000979
(51) **LOC (11) Cl.** **15-07**
(52) **U.S. Cl.**
USPC **D15/89**
(58) **Field of Classification Search**
USPC D15/79-91; D8/331, 330, 336, 339, 343, D8/349, 302, 354, 499
CPC E05B 1/00; E05B 1/0015; A47B 95/02; F25D 23/028; F25D 27/00; F25D 27/005; F25D 23/062; F25D 23/065; F25D 2323/021; F25D 2323/024; F25D 2327/001; F25D 23/067; F25D 2400/40; F25D 25/024; F25D 11/00; F25D 11/003; F25D 15/00; F25D 17/02; F25D 21/04; F25D 2201/12; F25D 2303/081; F25D 2323/02; F25D 2323/023; F25D 2323/06; F25D 2323/061; F25D 2323/121; F25D 2325/021; F25D 2325/022; F25D 2331/803; F25D 2331/805; F25D 23/006; F25D 23/02; F25D 23/06; F25D 23/061;

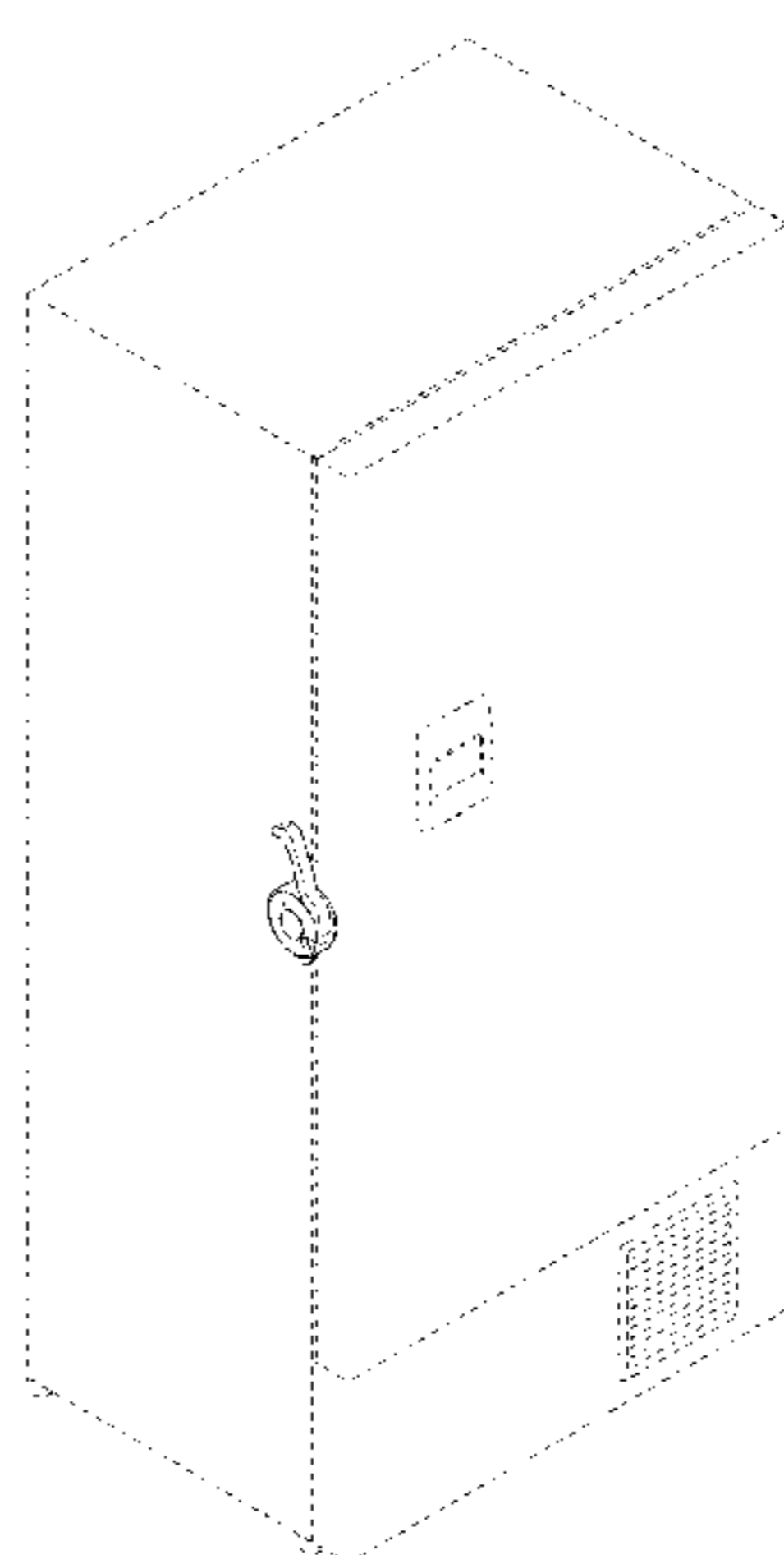
F25D 23/066; F25D 23/068; F25D 23/08; F25D 23/126; F25D 2400/04; F25D 2400/28; F25D 2400/32; F25D 2400/36; F25D 25/02; F25D 25/025; F25D 2700/02; F25D 2700/04; F25D
(Continued)

(56) **References Cited**
U.S. PATENT DOCUMENTS
D436,830 S * 1/2001 Nesselth D8/302
D491,441 S 6/2004 Sato et al.
(Continued)

FOREIGN PATENT DOCUMENTS
JP D1183156 S 8/2003
JP D1183159 S 8/2003
JP D1261471 S 1/2006
Primary Examiner — Ian Simmons
Assistant Examiner — Khawaja Anwar
(74) *Attorney, Agent, or Firm* — Brinks Gilson & Lione

(57) **CLAIM**
We claim the ornamental design for a latch handle for freezer, as shown and described.

DESCRIPTION
FIG. 1 is a front, top, and left side perspective view of a latch handle for freezer of the present invention;
FIG. 2 is a front view thereof;
FIG. 3 is a rear view thereof;
FIG. 4 is a left side view thereof;
FIG. 5 is a right side view thereof;
FIG. 6 is a top view thereof;
FIG. 7 is a bottom view thereof; and,
FIG. 8 is a perspective view showing the handle part in a large scale thereof.
(Continued)



The broken lines shown are included for the purpose of illustrating the unclaimed portions of the freezer and form no part of the claimed design.

1 Claim, 7 Drawing Sheets

(58) **Field of Classification Search**

CPC .. 2700/06; F25D 2700/16; F25D 29/00; F25D 29/008; F25D 31/002; F25D 31/005; F25D 31/007; F25D 3/08

See application file for complete search history.

(56) **References Cited**

U.S. PATENT DOCUMENTS

D496,372	S	*	9/2004	Sato	D15/81
D521,536	S	*	5/2006	Reese	D15/89
D529,367	S	*	10/2006	Zweibohmer	D8/301
D532,799	S		11/2006	Sato et al.		
D652,119	S	*	1/2012	Reid	D23/252
D709,351	S	*	7/2014	Le	D8/331
D717,152	S	*	11/2014	Weinerman	D8/331
D793,838	S	*	8/2017	Le	D8/302
D794,093	S	*	8/2017	Yoon	D15/89
D794,411	S	*	8/2017	Le	D8/302

* cited by examiner

Fig. 1

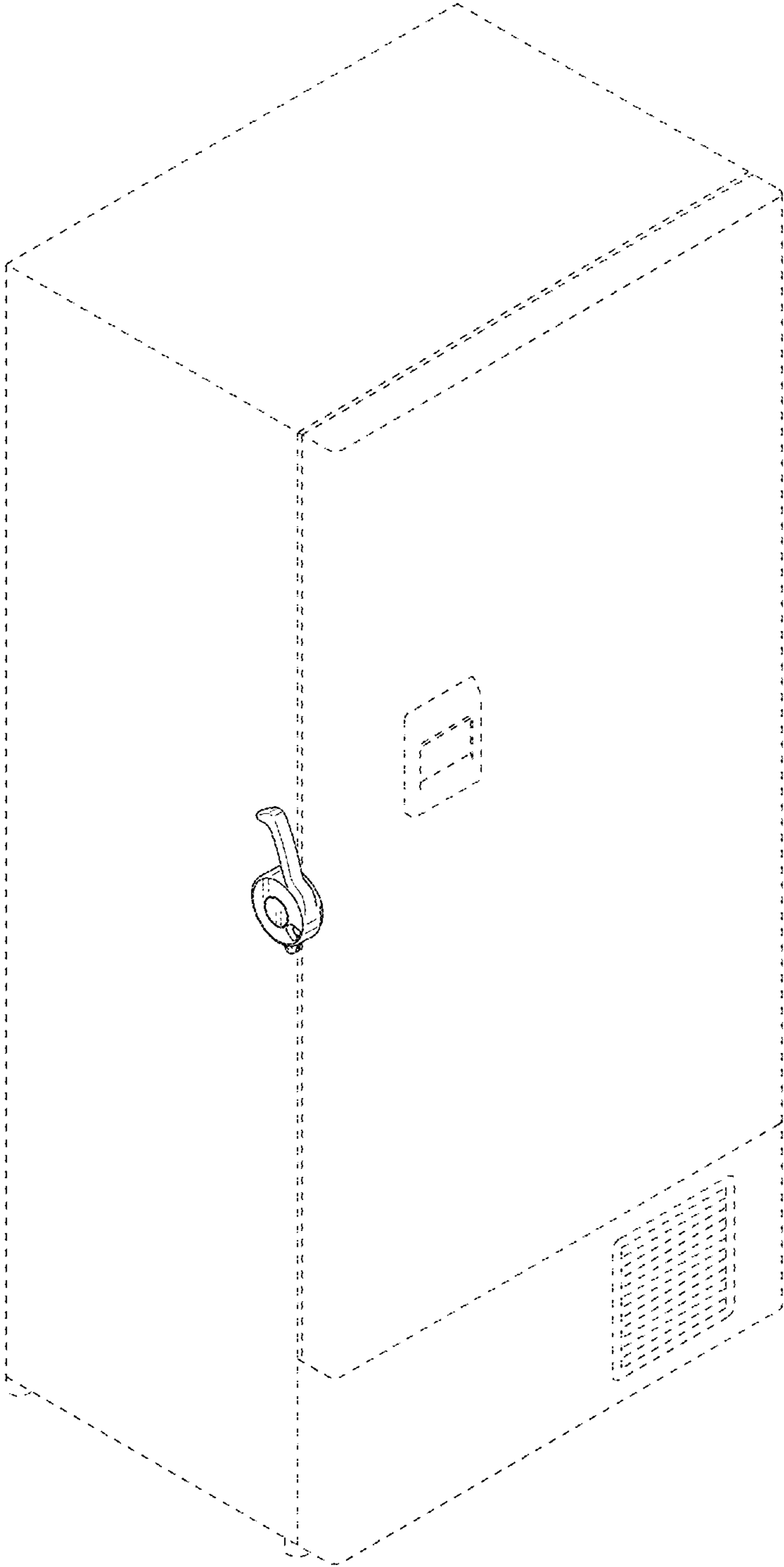


Fig. 2

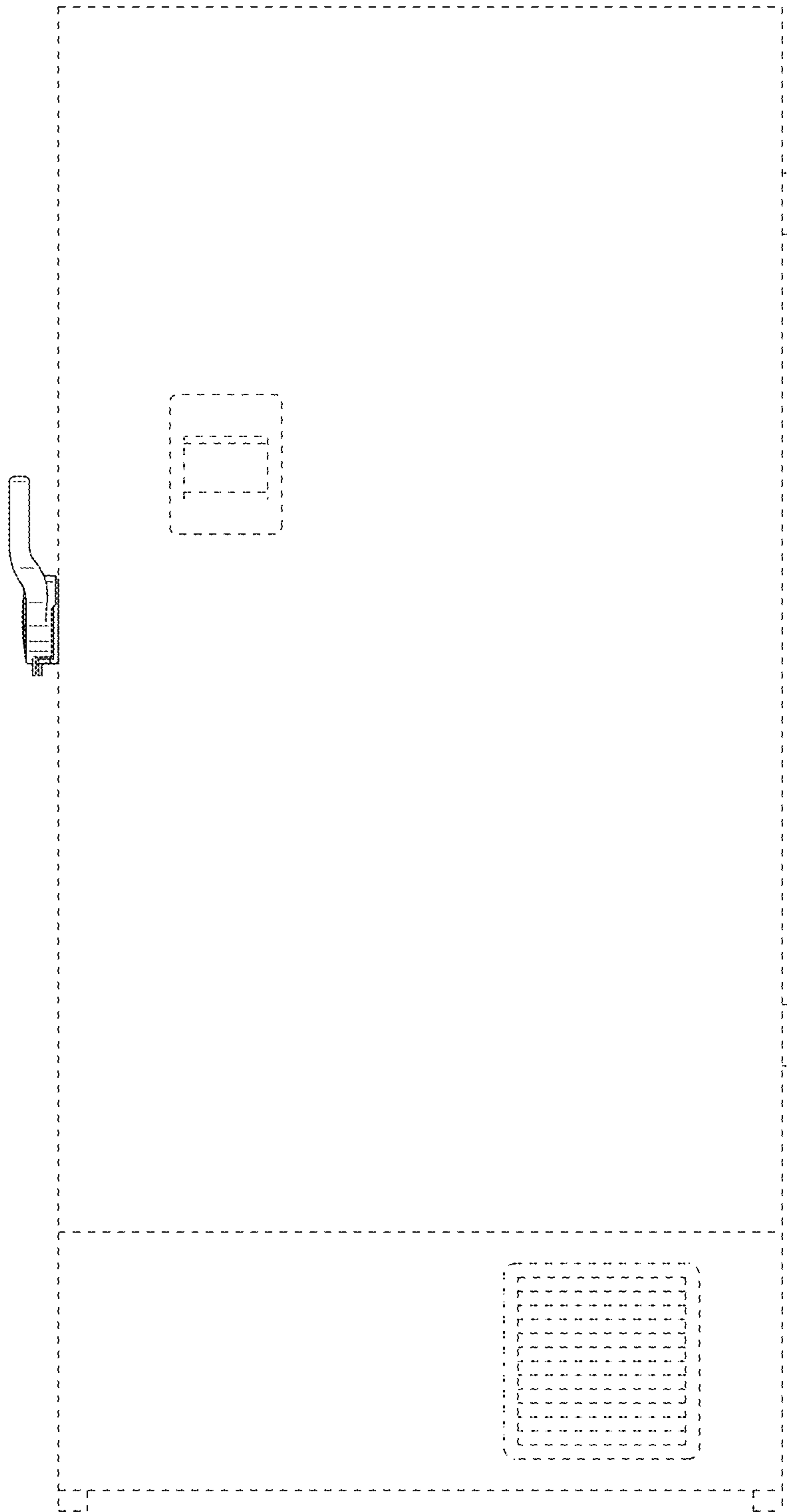


Fig. 3

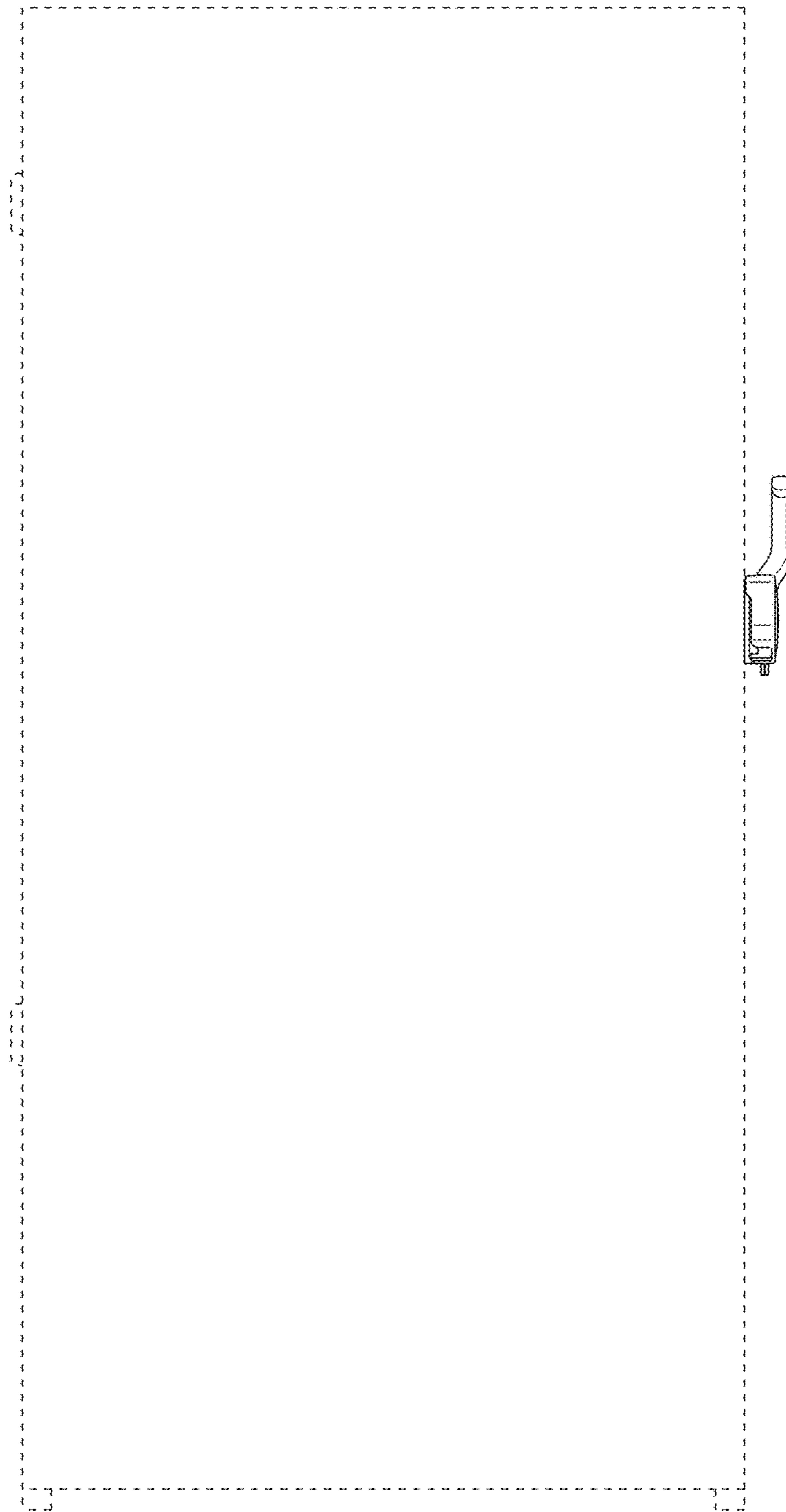


Fig. 4

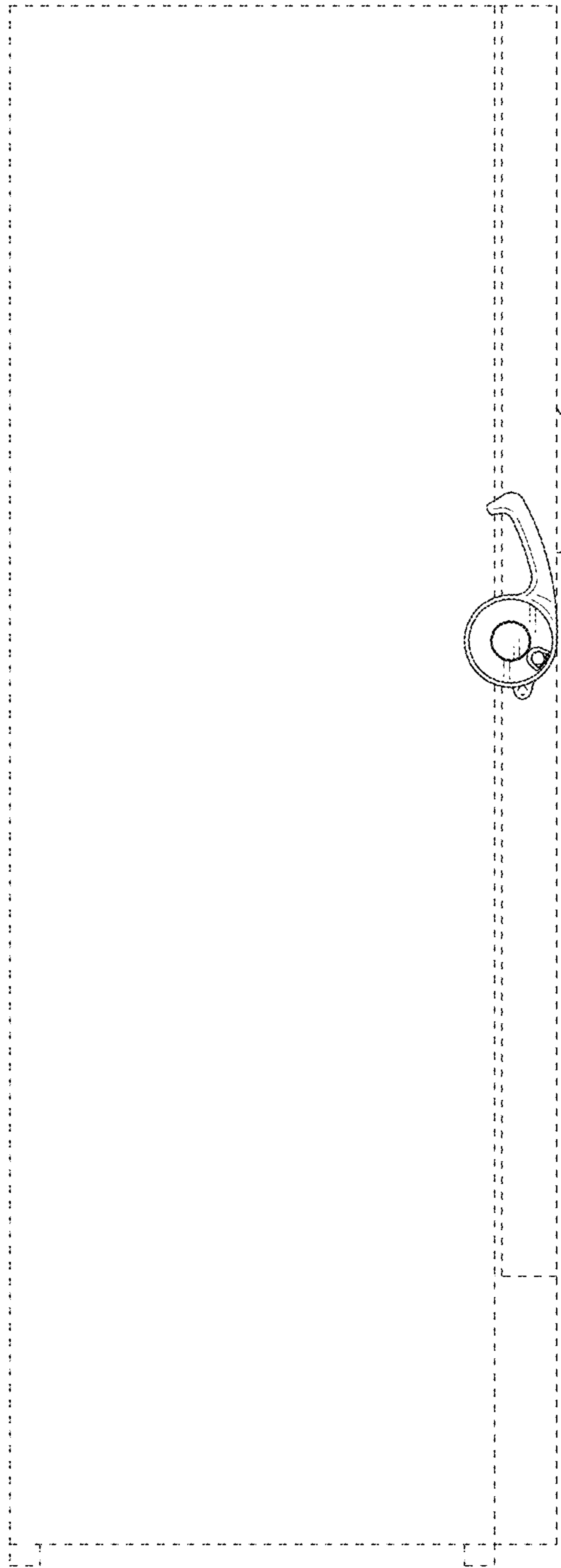


Fig. 5

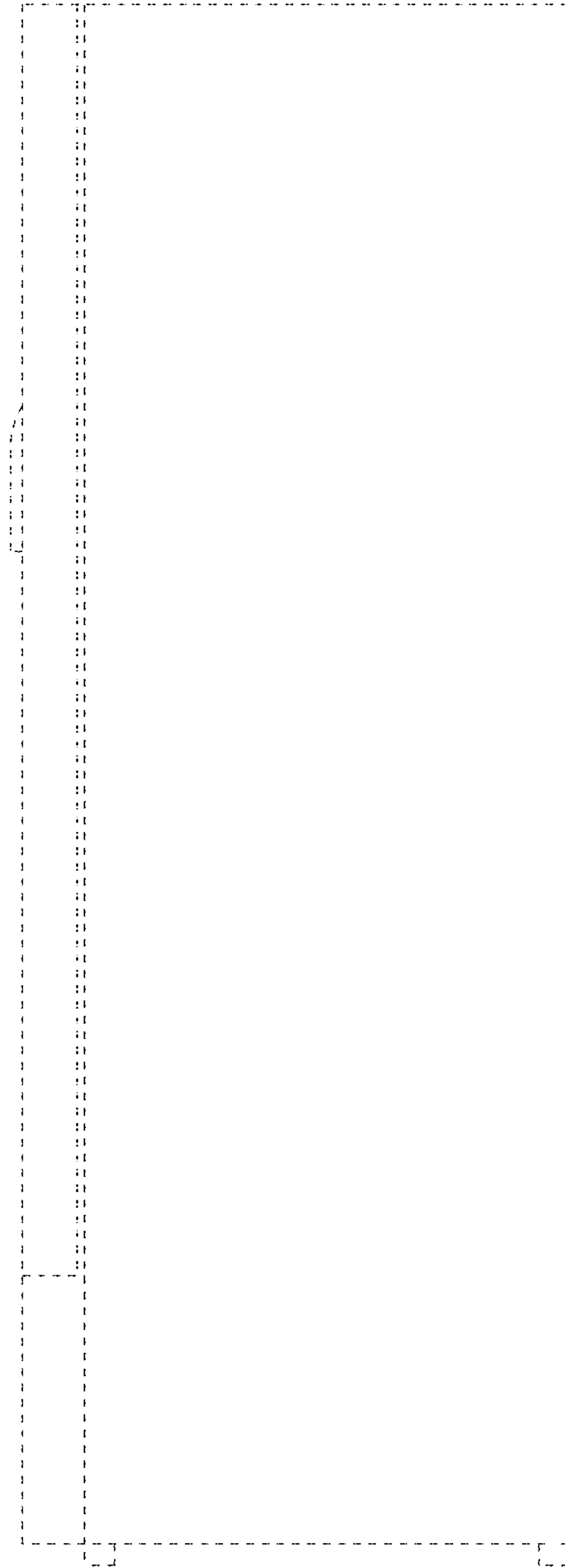


Fig. 6

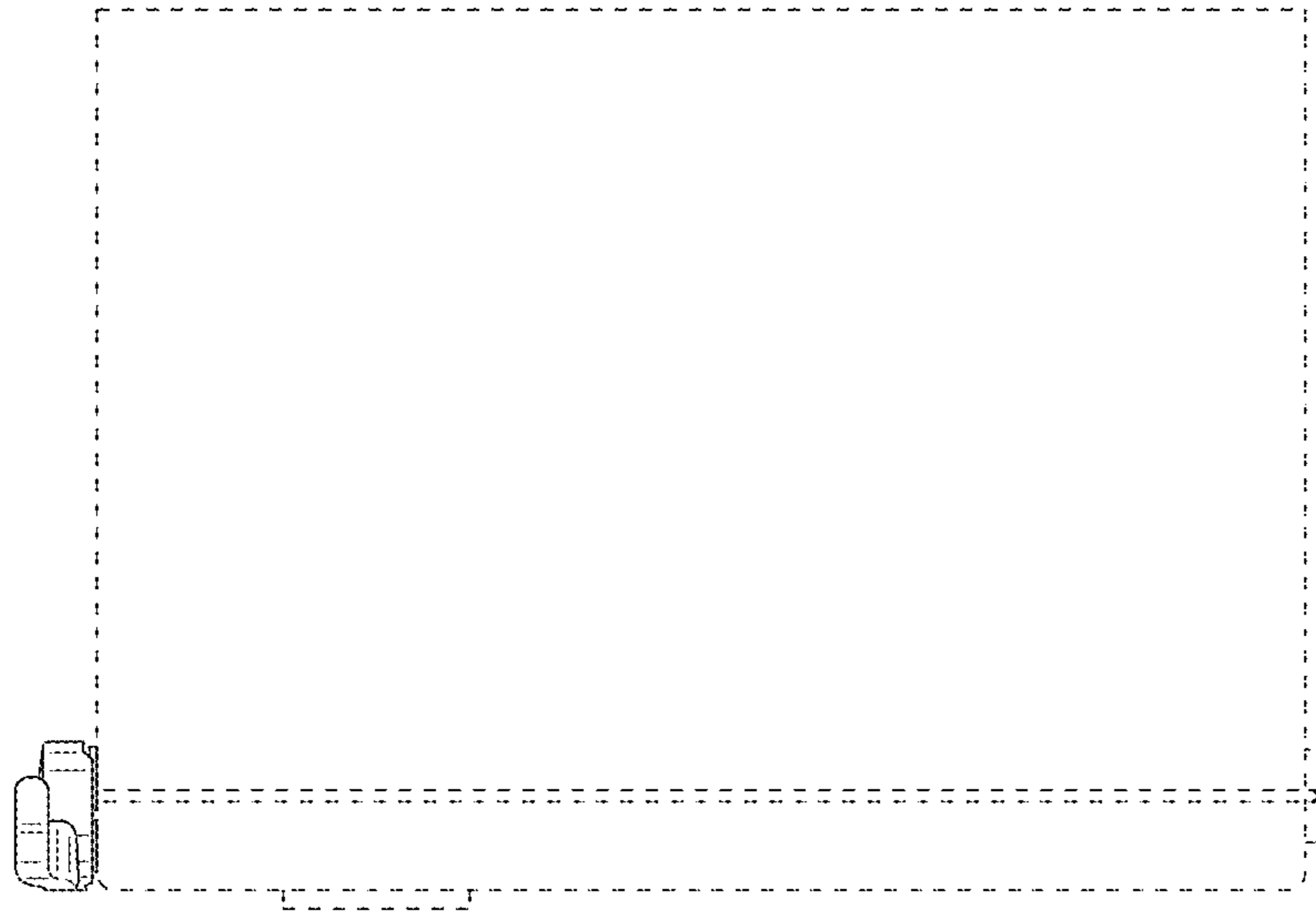


Fig. 7

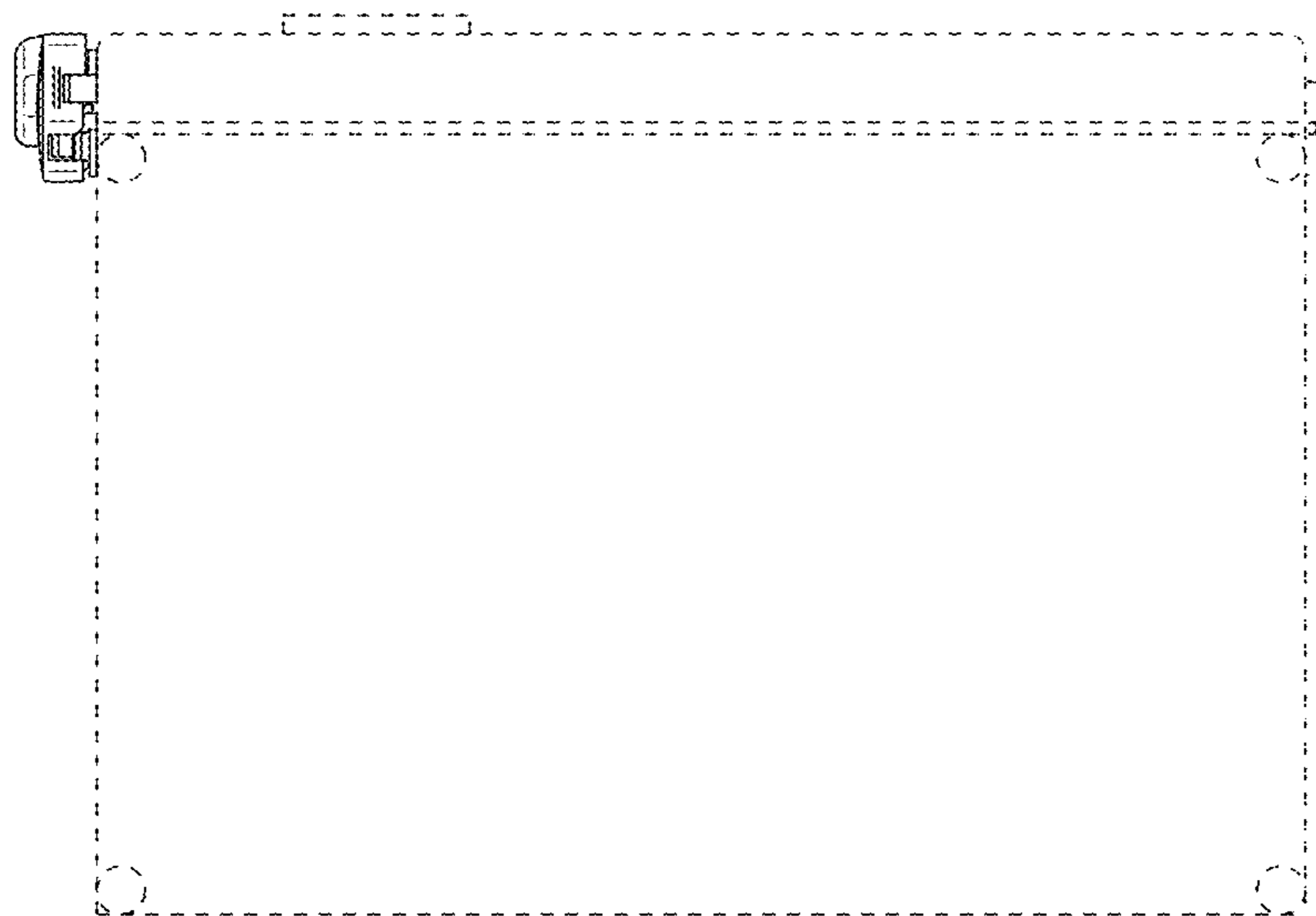


Fig. 8

