



US00D814532S

(12) **United States Design Patent**
Muto

(10) **Patent No.:** **US D814,532 S**
(45) **Date of Patent:** **** Apr. 3, 2018**

(54) **SEWING MACHINE**

(71) Applicant: **JANOME SEWING MACHINE Co., Ltd.**, Hachioji-shi, Tokyo (JP)

(72) Inventor: **Hideki Muto**, Hachioji (JP)

(73) Assignee: **JANOME SEWING MACHINE CO., LTD.**, Hachioji-Shi, Tokyo (JP)

(**) Term: **15 Years**

(21) Appl. No.: **29/582,467**

(22) Filed: **Oct. 27, 2016**

(30) **Foreign Application Priority Data**

May 20, 2016 (JP) 2016-010752

(51) **LOC (11) Cl.** **15-06**

(52) **U.S. Cl.**
USPC **D15/69**

(58) **Field of Classification Search**
USPC D15/66-78
CPC D05B 1/00-25/00
See application file for complete search history.

(56) **References Cited**

U.S. PATENT DOCUMENTS

D267,881 S *	2/1983	Current	D15/68
4,407,211 A *	10/1983	Kiyoshima	D05B 1/20
				112/260
4,718,364 A *	1/1988	Kessler	D05B 73/00
				112/122
D307,024 S *	4/1990	Itoh	D15/69
D309,739 S *	8/1990	Itoh	D15/69
D321,518 S *	11/1991	Uchida	D15/69
D338,021 S *	8/1993	Uchida	D15/69
D338,022 S *	8/1993	Takada	D15/69

D372,720 S *	8/1996	Hattori	D15/69
D377,357 S *	1/1997	Tseng	D15/69
D392,294 S *	3/1998	Kato	D15/69
D450,721 S *	11/2001	Kawaguchi	D15/69
D462,368 S *	9/2002	Kuroki	D15/69
D465,793 S *	11/2002	Takada	D15/69
D478,337 S *	8/2003	Kuroki	D15/69
D482,702 S *	11/2003	Kawaguchi	D15/69
D521,533 S *	5/2006	Sanchez	D15/69
D553,650 S *	10/2007	Muto	D15/69
D555,176 S *	11/2007	Ogawa	D15/69
D601,594 S *	10/2009	Gustafsson	D15/69
D632,706 S *	2/2011	Hattori	H02K 5/20
				D15/69
D648,757 S *	11/2011	Muto	D15/69
D700,634 S *	3/2014	Saitou	D15/69
D719,985 S *	12/2014	Tseng	D15/69
D760,817 S *	7/2016	Nanno	D15/69
D769,336 S *	10/2016	Nanno	D15/69

* cited by examiner

Primary Examiner — Mitchell I. Siegel

(74) *Attorney, Agent, or Firm* — McGinn IP Law Group, PLLC

(57) **CLAIM**

The ornamental design for sewing machine, as shown and described.

DESCRIPTION

FIG. 1 is a front elevational view of a sewing machine showing my new design;
FIG. 2 is a rear elevational view thereof;
FIG. 3 is a left side elevational view thereof;
FIG. 4 is a right side elevational view thereof;
FIG. 5 is a top plan view thereof;
FIG. 6 is a bottom plan view thereof; and,
FIG. 7 is a front perspective view of a sewing machine showing thereof.

1 Claim, 7 Drawing Sheets

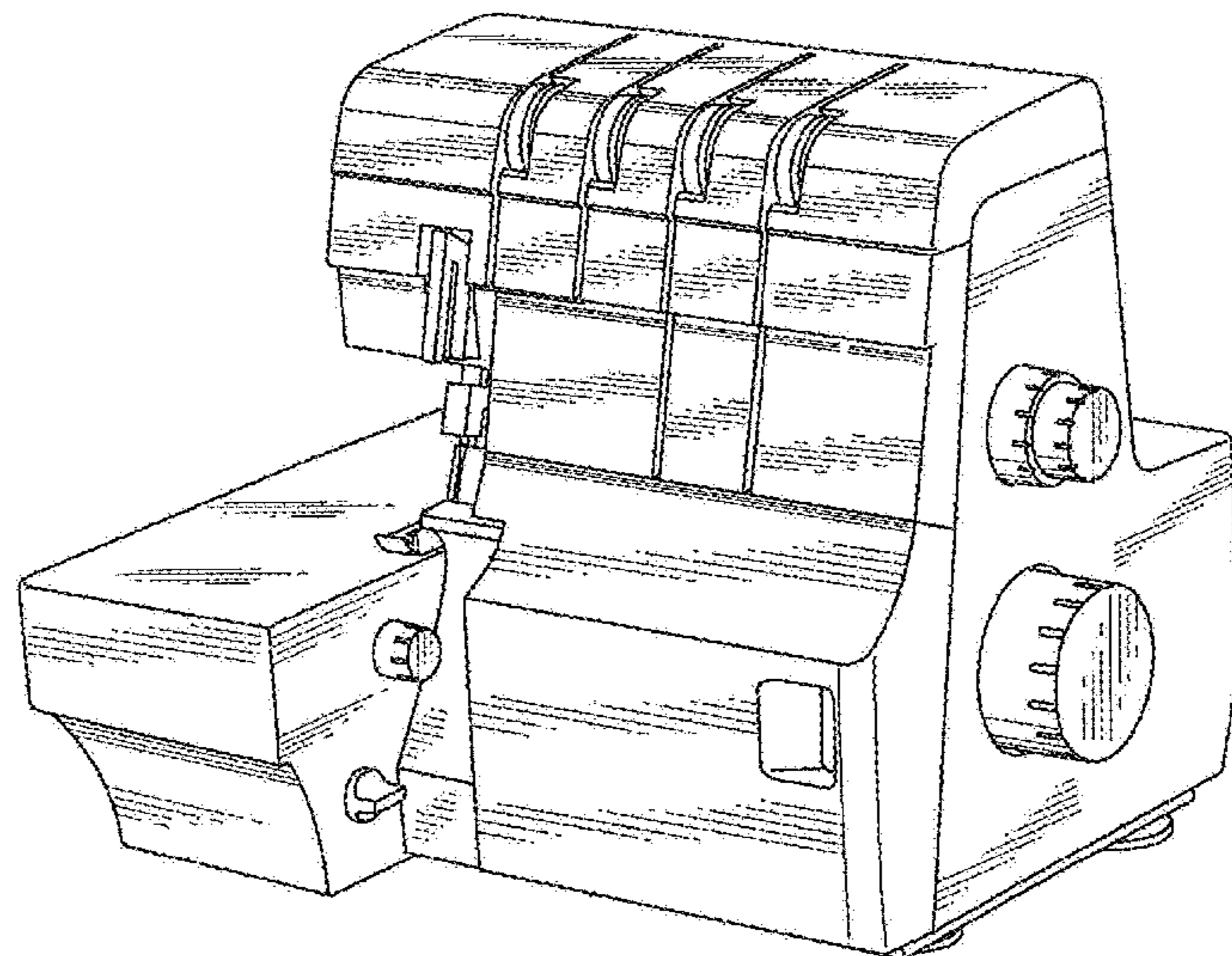
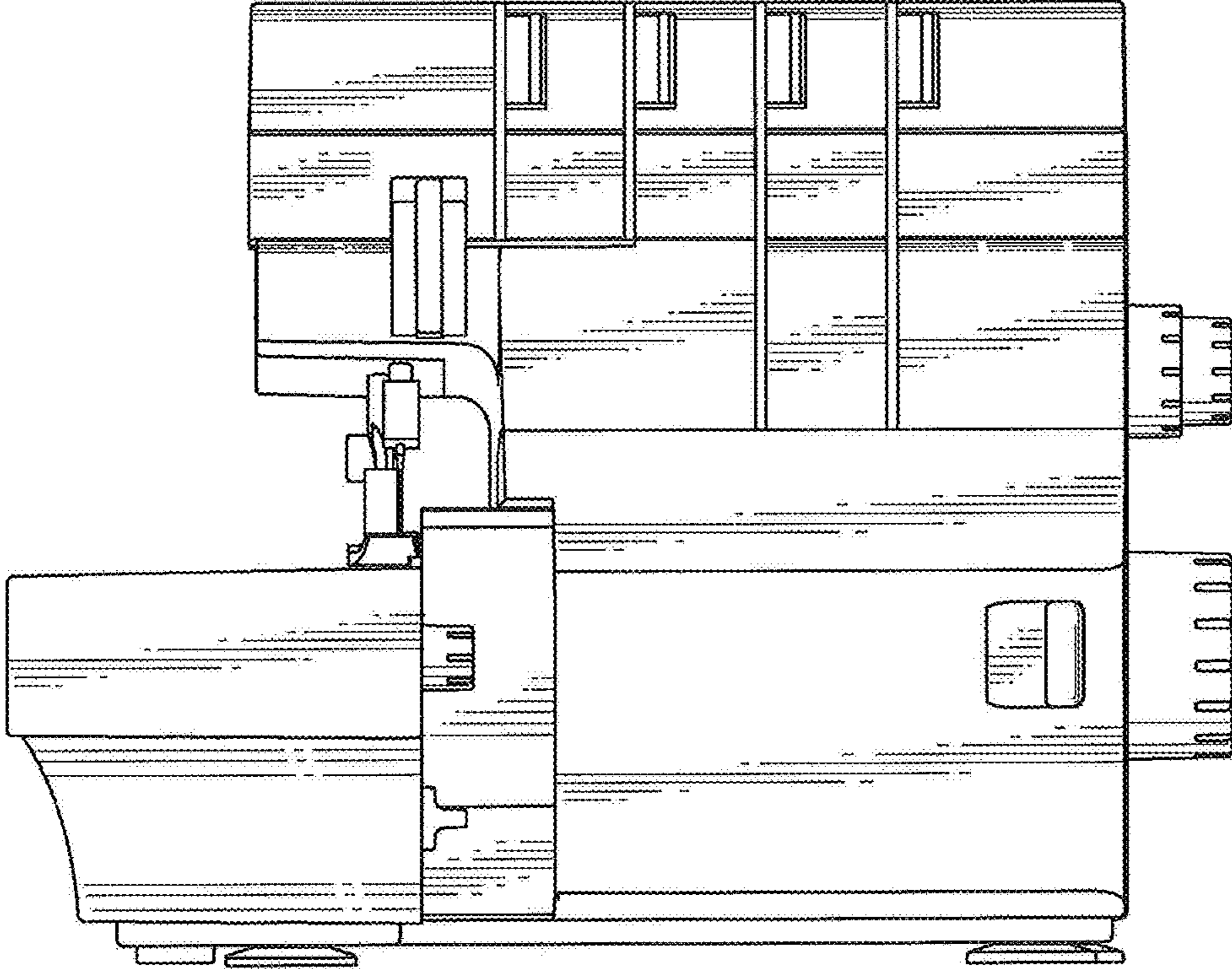


Fig. 1



F i g . 2



Fig. 3

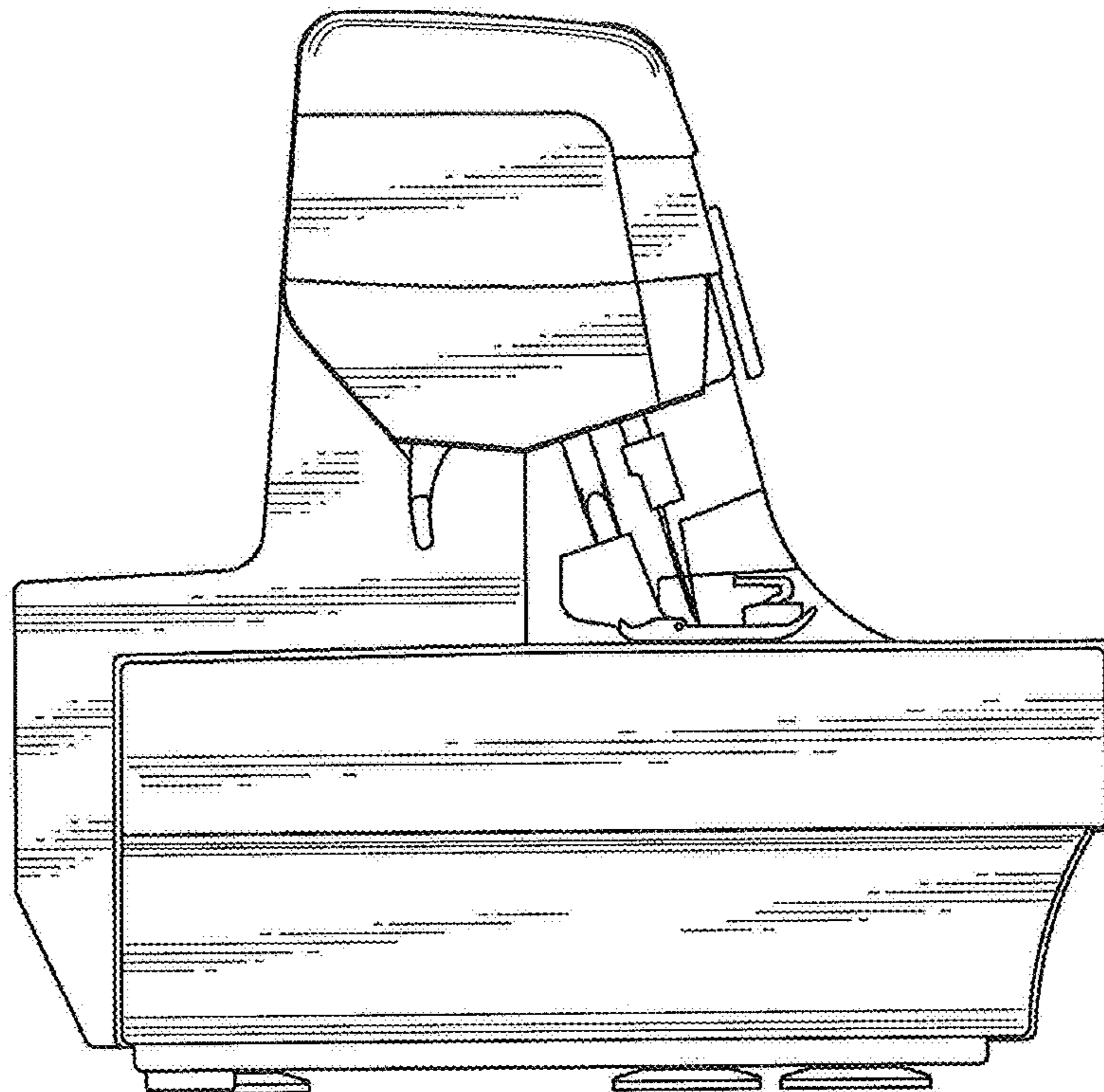


Fig. 4

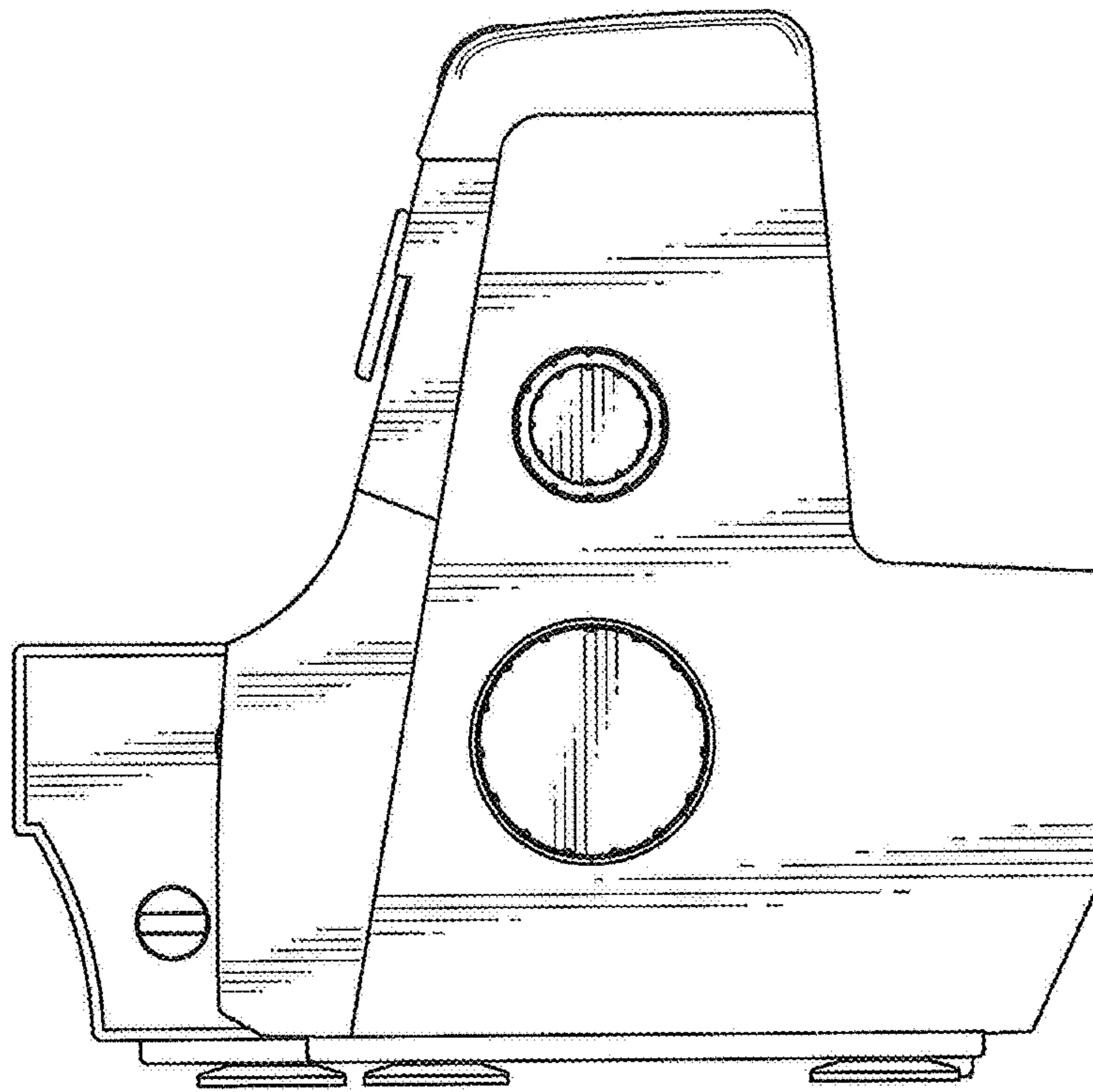


Fig. 5

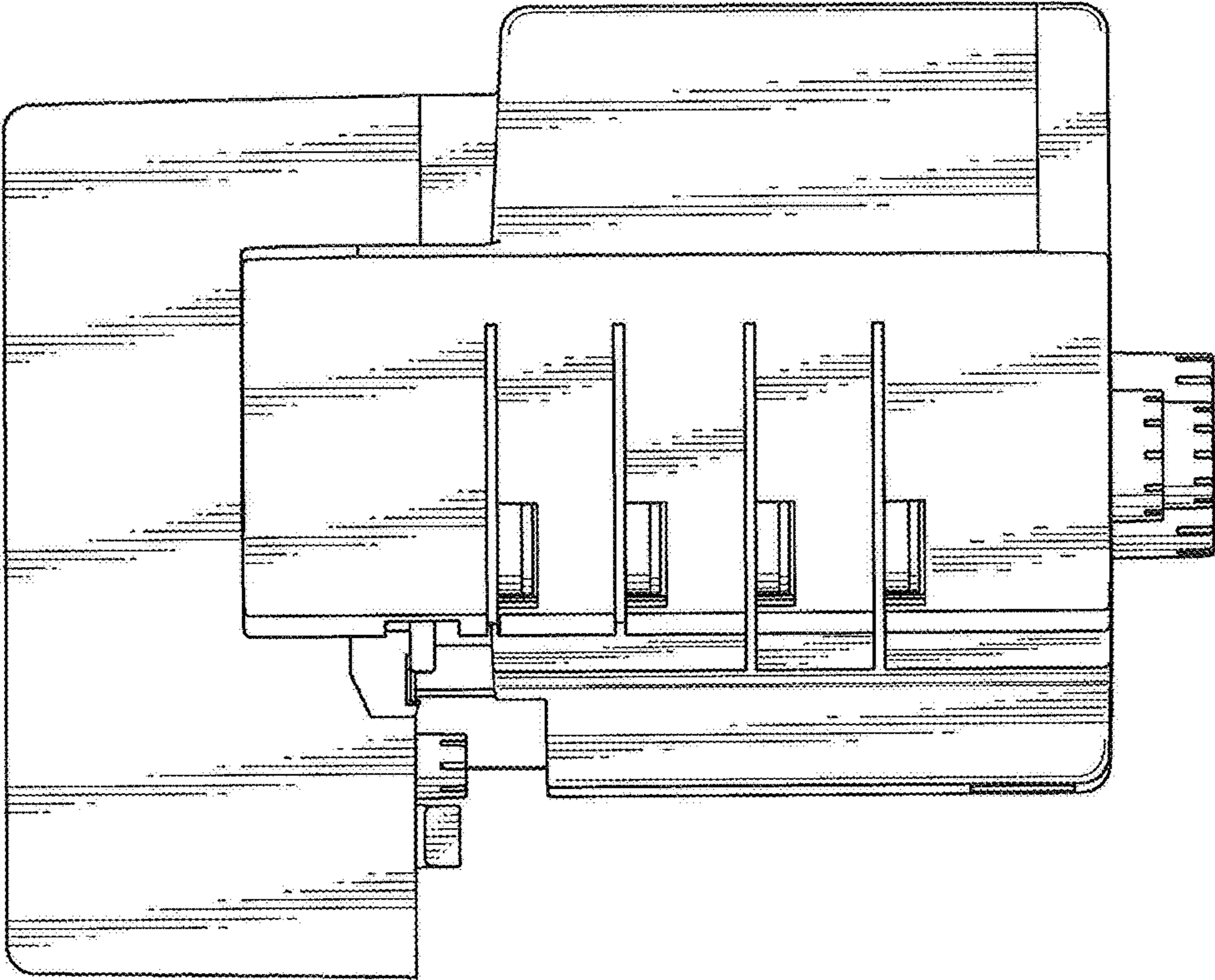


Fig. 6

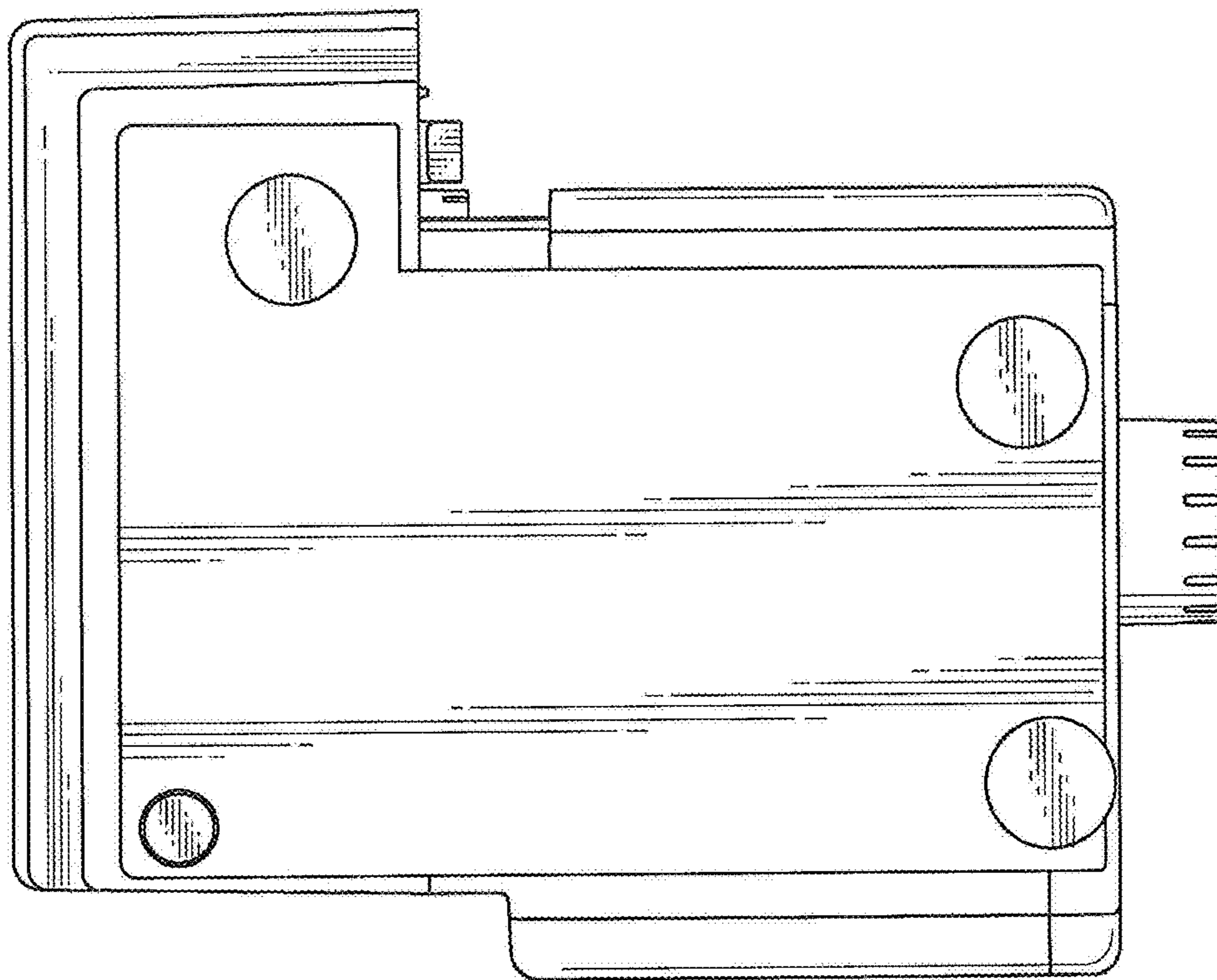


Fig. 7

