



US00D814529S

(12) **United States Design Patent** (10) **Patent No.:** **US D814,529 S**  
**Hallgren** (45) **Date of Patent:** **\*\* Apr. 3, 2018**

(54) **BODY PART FOR VEHICLE**

(71) Applicant: **Volvo Construction Equipment AB**,  
Eskilstuna (SE)

(72) Inventor: **Michael Hallgren**, Pixbo (SE)

(73) Assignee: **Volvo Construction Equipment AB**,  
Eskilstuna (SE)

(\*\*) Term: **15 Years**

(21) Appl. No.: **29/599,751**

(22) Filed: **Apr. 6, 2017**

(30) **Foreign Application Priority Data**

Apr. 6, 2017 (EM) ..... 003844380  
Apr. 6, 2017 (EM) ..... 003844406  
Apr. 6, 2017 (EM) ..... 003844638

(51) **LOC (11) Cl.** ..... **15-03**

(52) **U.S. Cl.**  
USPC ..... **D15/28**

(58) **Field of Classification Search**  
USPC .... D15/22-26, 28, 30, 31, 33, 10; 180/89.1,  
180/89.12, 235, 900, 298, 68.5; 414/685,  
414/686, 694, 722, 680, 724, 699;  
280/400  
CPC ..... A01G 23/093; A01G 23/08  
See application file for complete search history.

(56) **References Cited**

**U.S. PATENT DOCUMENTS**

D629,816 S \* 12/2010 Nishimura ..... D15/28  
D680,137 S \* 4/2013 Tsukamoto ..... D15/28  
D684,605 S \* 6/2013 Hagura ..... D15/28  
D684,606 S \* 6/2013 Hagura ..... D15/28  
D693,857 S \* 11/2013 Hiraoka ..... D15/28  
D707,727 S \* 6/2014 Miller ..... D15/28  
D735,246 S \* 7/2015 Miller ..... D15/28  
D752,653 S \* 3/2016 Lee ..... D15/28

**OTHER PUBLICATIONS**

Images of Volvo Construction Equipment Hauler Model A45G, disclosed at Bauma Trade Fair, Munich, Germany, Apr. 11-17, 2016. Product Brochure for Volvo Construction Equipment Hauler Model A45G, dated Oct. 2016.  
Images of Volvo Construction Equipment Excavator Model EC950E, disclosed at Bauma Trade Fair, Munich, Germany, Apr. 11-17, 2016.  
Images of Volvo Construction Equipment Excavator Model EC750E, disclosed to public May 2016.

\* cited by examiner

*Primary Examiner* — Mark Goodwin  
(74) *Attorney, Agent, or Firm* — Tucker Ellis LLP

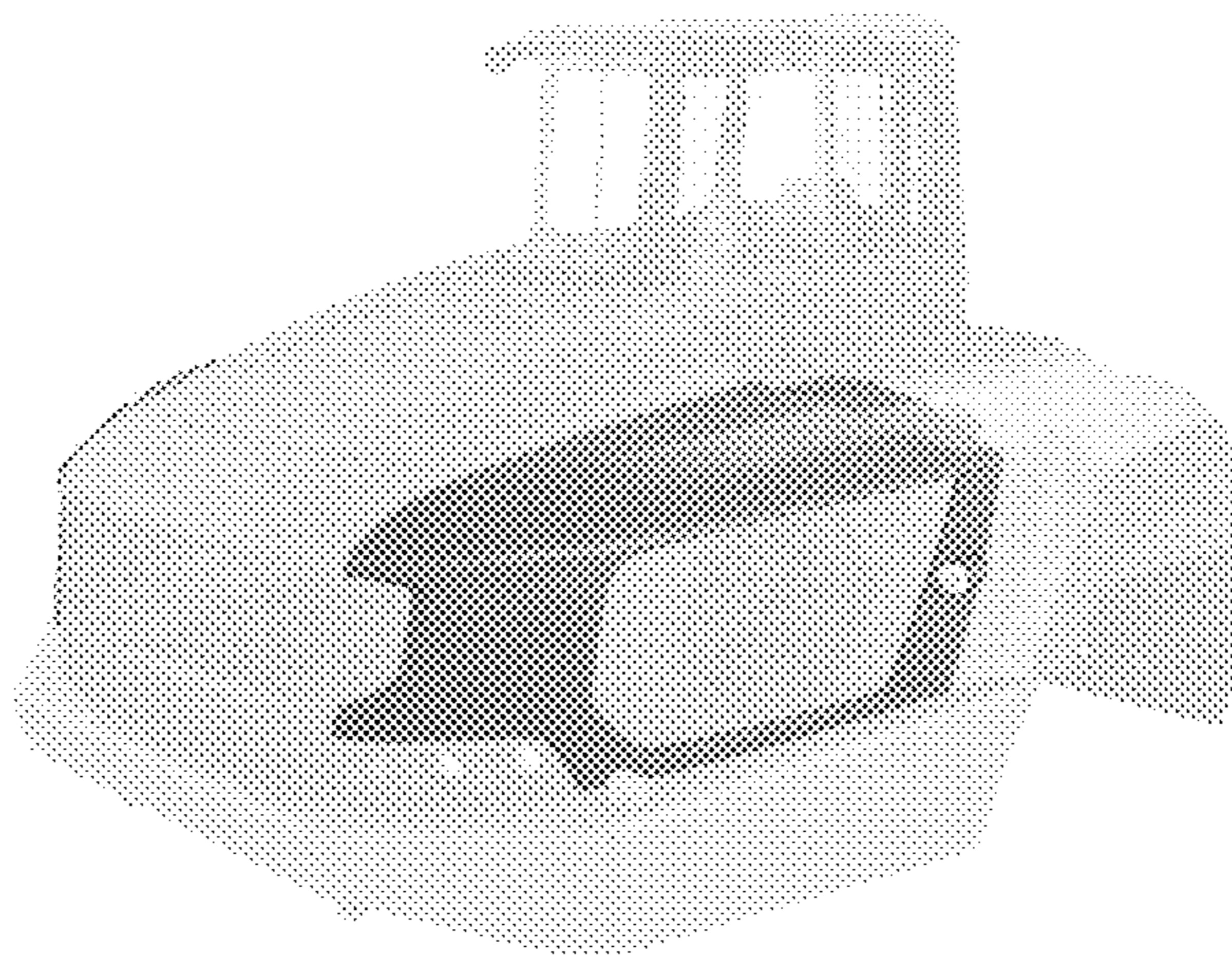
(57) **CLAIM**

The ornamental design for a body part for vehicle, as shown and described.

**DESCRIPTION**

The file of this patent contains at least one drawing/photograph executed in color. Copies of this patent with color drawing(s)/photograph(s) will be provided by the Office upon request and payment of the necessary fee.  
FIG. 1 is a perspective view of a body part for vehicle showing my new design.  
FIG. 2 is another perspective view thereof.  
FIG. 3 is a left side view thereof.  
FIG. 4 is a right side view thereof.  
FIG. 5 is a front view thereof; and,  
FIG. 6 is a top view thereof.  
The de-emphasized portions shown in the drawings illustrate environmental structure for a vehicle that form no part of the claimed design.

**1 Claim, 6 Drawing Sheets**  
**(6 of 6 Drawing Sheet(s) Filed in Color)**



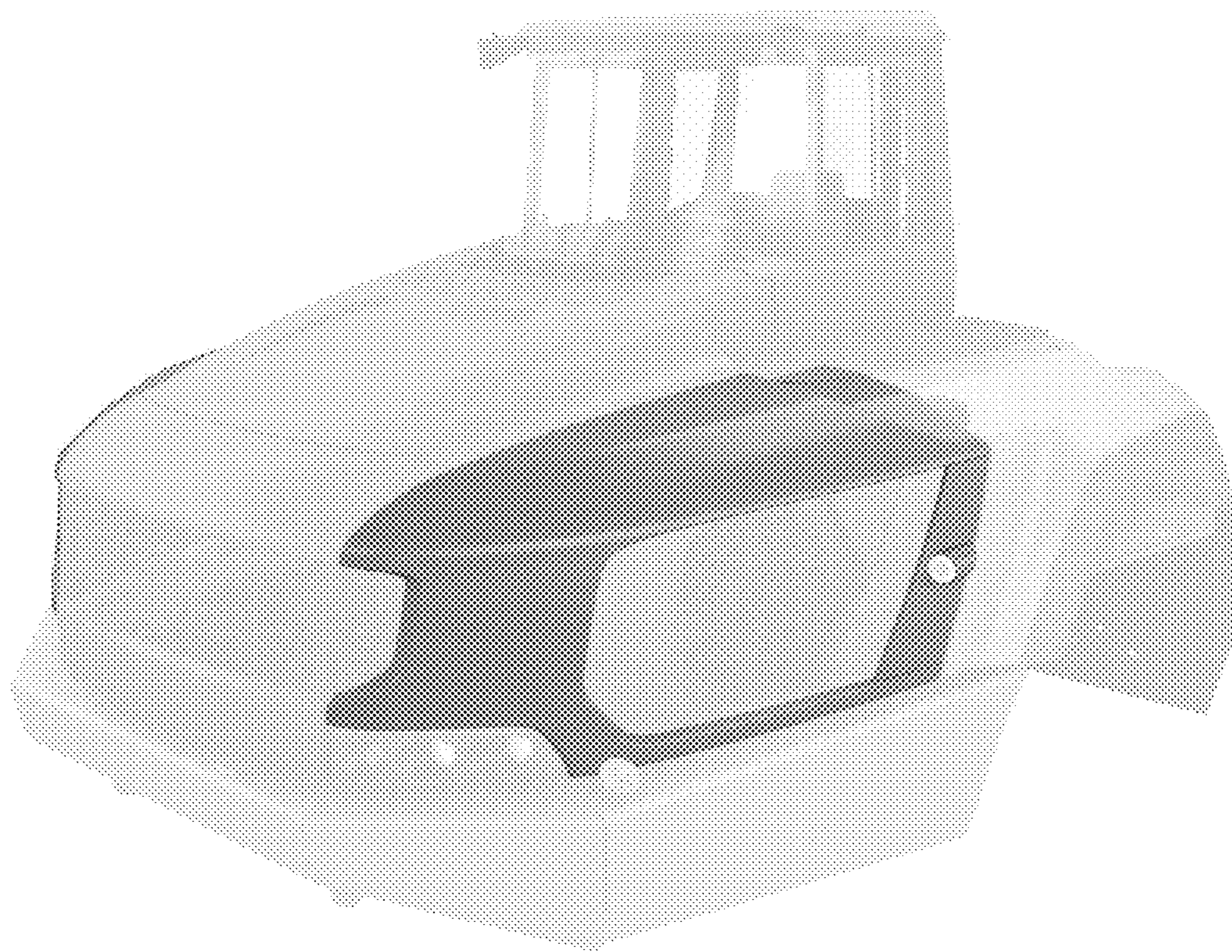


FIG. 1

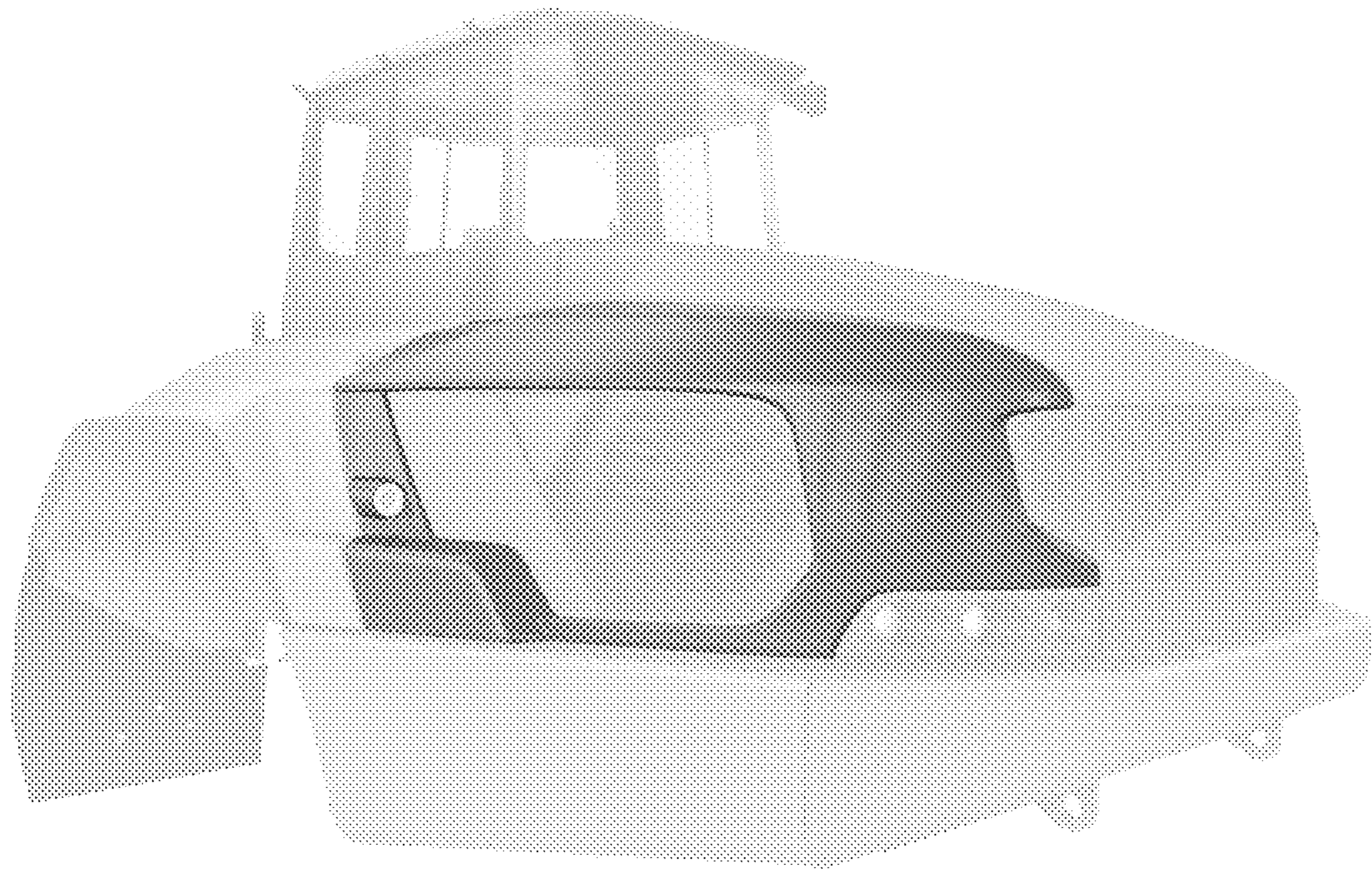


FIG. 2

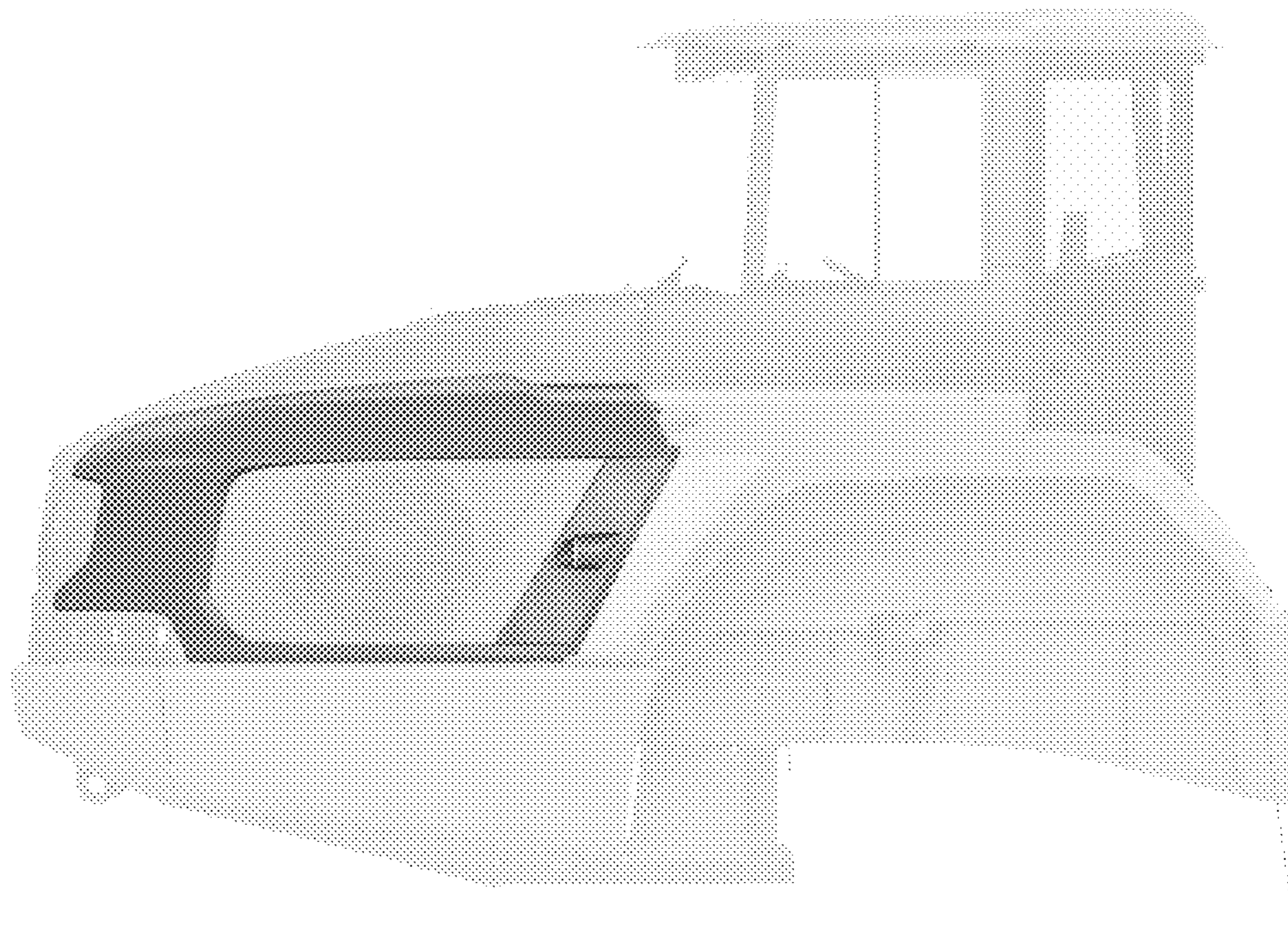


FIG. 3

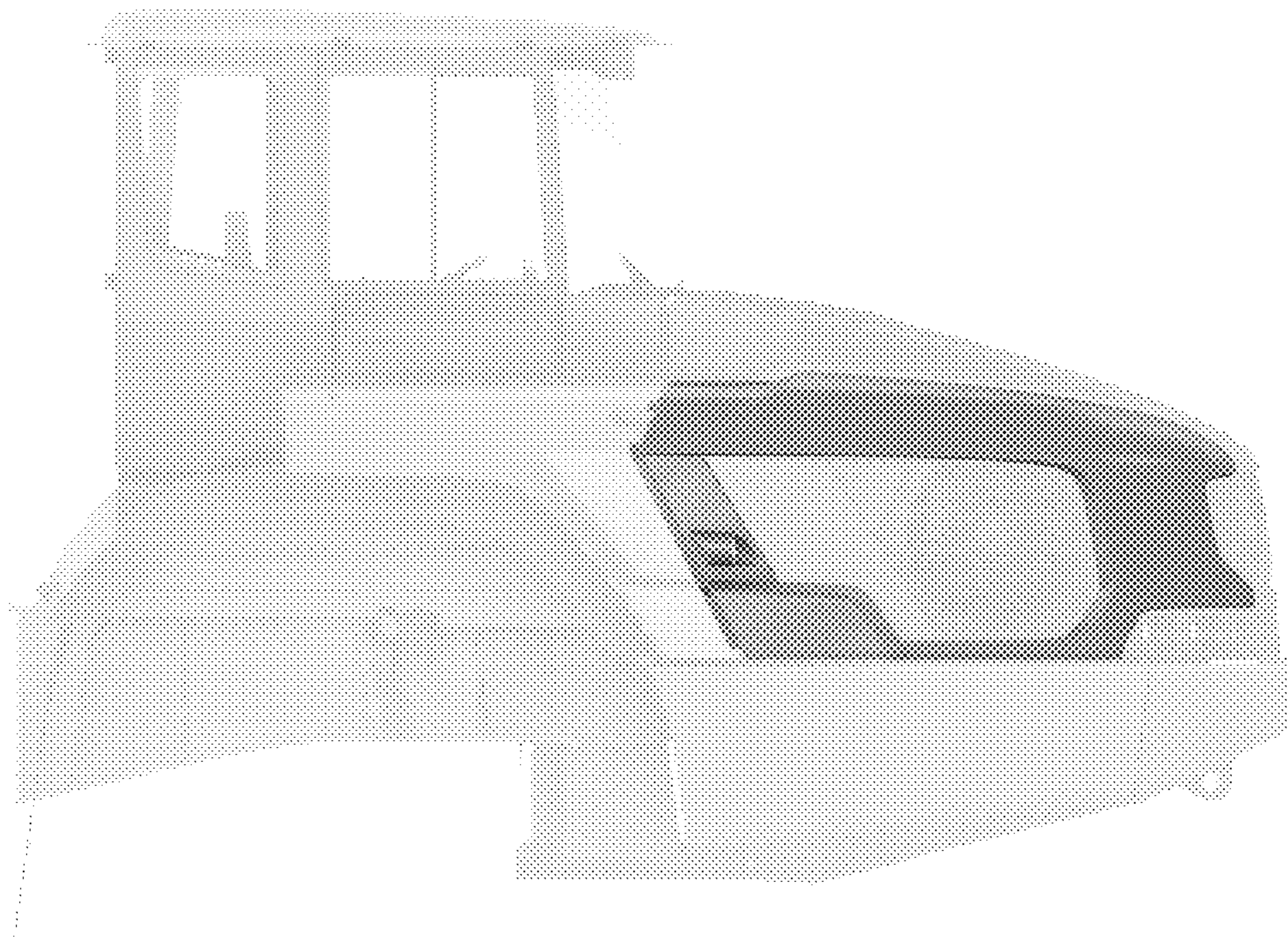


FIG. 4

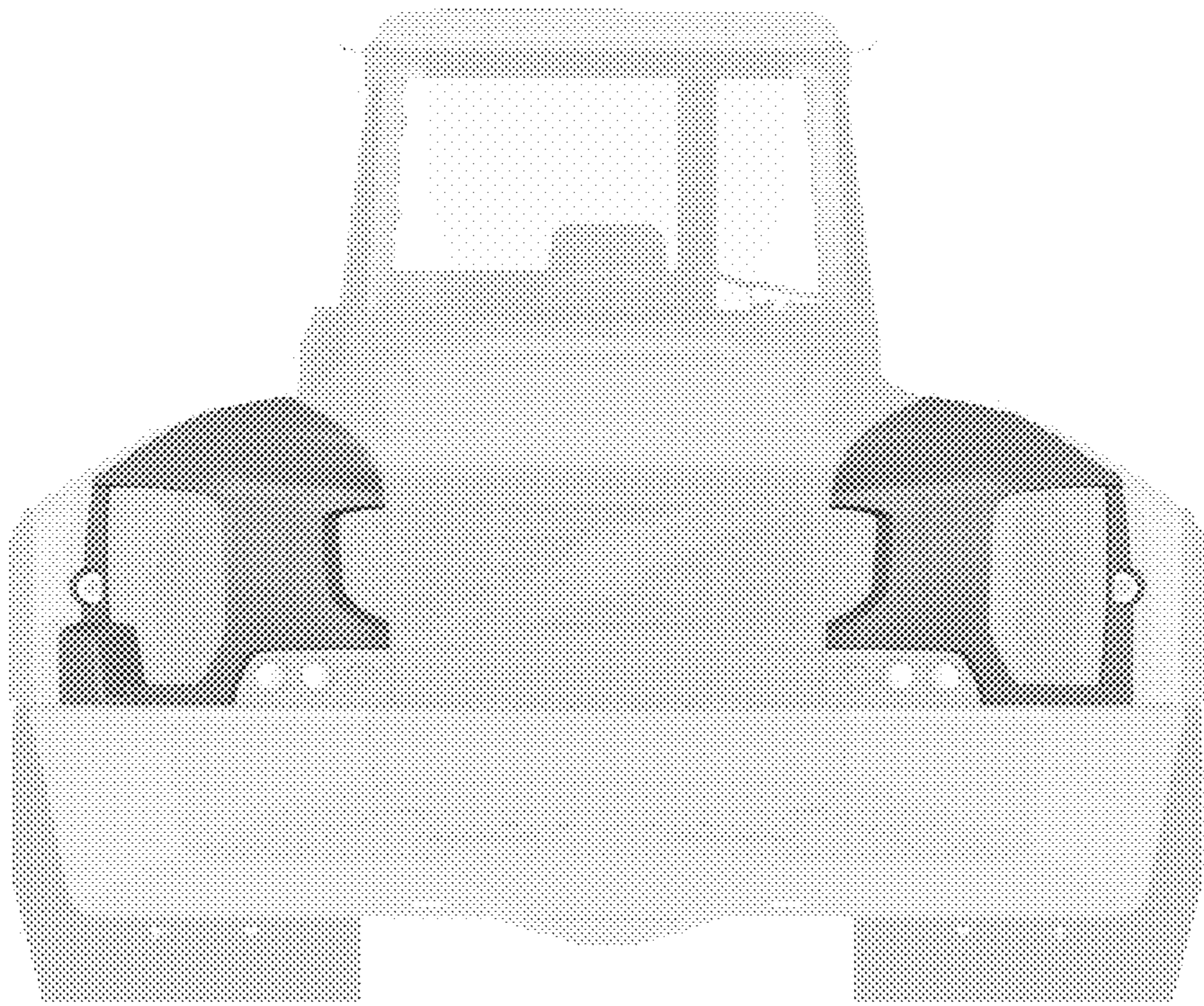


FIG. 5

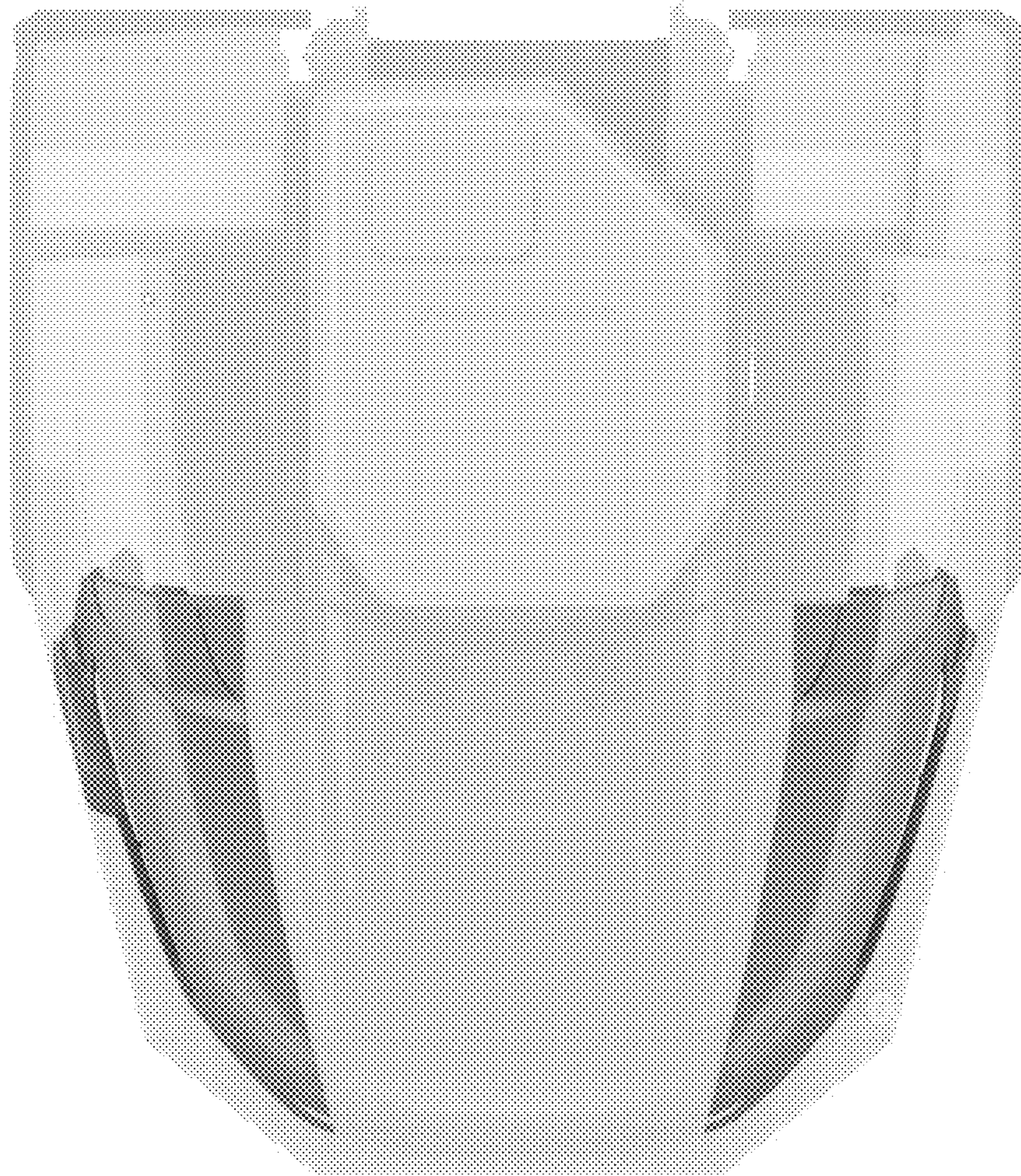


FIG. 6