



US00D814527S

(12) **United States Design Patent** (10) **Patent No.:** **US D814,527 S**
Jacobsthal et al. (45) **Date of Patent:** **** Apr. 3, 2018**

(54) **LOADER ARM FOR A CONSTRUCTION MACHINE**

(71) Applicant: **CNH Industrial America LLC**, New Holland, PA (US)

(72) Inventors: **Eric M. Jacobsthal**, Elmhurst, IL (US);
William Venth, Chicago, IL (US);
Darin Weisensel, Racine, WI (US)

(73) Assignee: **CNH Industrial America LLC**, New Holland, PA (US)

(**) Term: **15 Years**

(21) Appl. No.: **29/595,598**

(22) Filed: **Feb. 28, 2017**

(51) **LOC (11) Cl.** **15-03**

(52) **U.S. Cl.**
USPC **D15/28**

(58) **Field of Classification Search**
USPC D15/10, 22-26, 28, 29, 32; 414/686,
414/694, 722, 718, 815, 723, 685, 680;
37/341, 407

CPC E02F 3/22; E02F 3/34; E02F 3/28; E02F
3/3405; E02F 3/3414; E02F 3/627; E02F
9/006; E02F 9/2275; E02F 9/14; E02F
9/22; Y10T 29/49622; B66F 19/00; B66F
9/22

See application file for complete search history.

(56) **References Cited**

U.S. PATENT DOCUMENTS

D407,415 S * 3/1999 Flatau D15/28
D466,910 S * 12/2002 Miller D15/22

D468,754 S * 1/2003 Dershem D15/28
D469,448 S * 1/2003 Bares D15/32
D572,277 S * 7/2008 Pinther D15/23
D649,170 S * 11/2011 Barba D15/28
D649,171 S * 11/2011 Barba D15/28
D692,030 S * 10/2013 Martin D15/28
D692,031 S * 10/2013 Martin D15/33
D772,307 S * 11/2016 Gross D15/28
D799,561 S * 10/2017 Kumbhar D15/28

* cited by examiner

Primary Examiner — Mark Goodwin

(74) *Attorney, Agent, or Firm* — Peter K. Zacharias

(57) **CLAIM**

The ornamental design for a loader arm for a construction machine, as shown and described.

DESCRIPTION

FIG. 1 is a perspective view of a loader arm for a construction machine, such as a skid steer loader, the loader arm being of the present design.

FIG. 2 is a left-side view of the loader arm for a construction machine of FIG. 1.

FIG. 3 is a right-side view of the loader arm for a construction machine of FIG. 1.

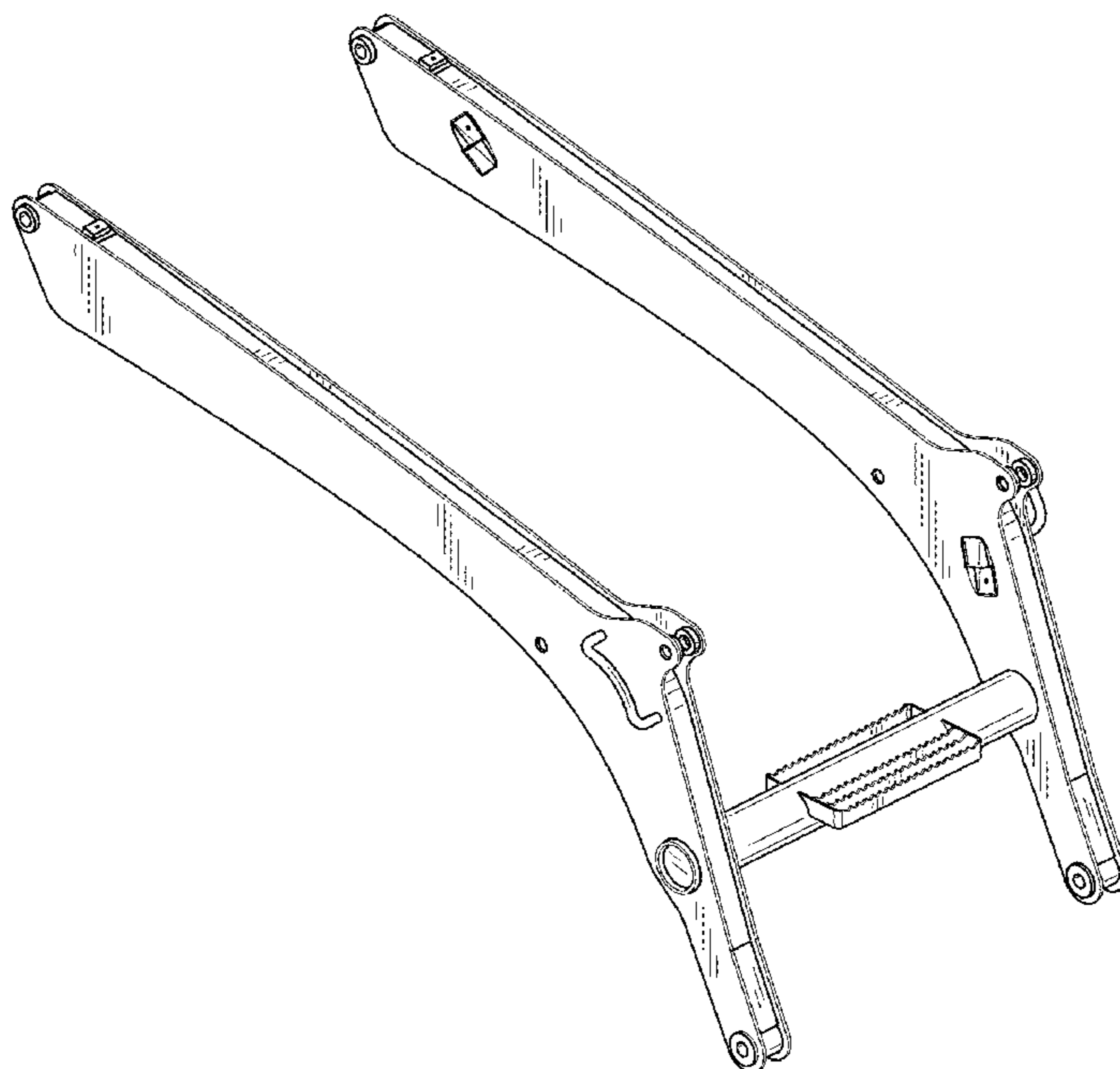
FIG. 4 is a front view of the loader arm for a construction machine of FIG. 1.

FIG. 5 is a rear view of the loader arm for a construction machine of FIG. 1.

FIG. 6 is a top view of the loader arm for a construction machine of FIG. 1; and,

FIG. 7 is a bottom view of the loader arm for a construction machine of FIG. 1.

1 Claim, 6 Drawing Sheets



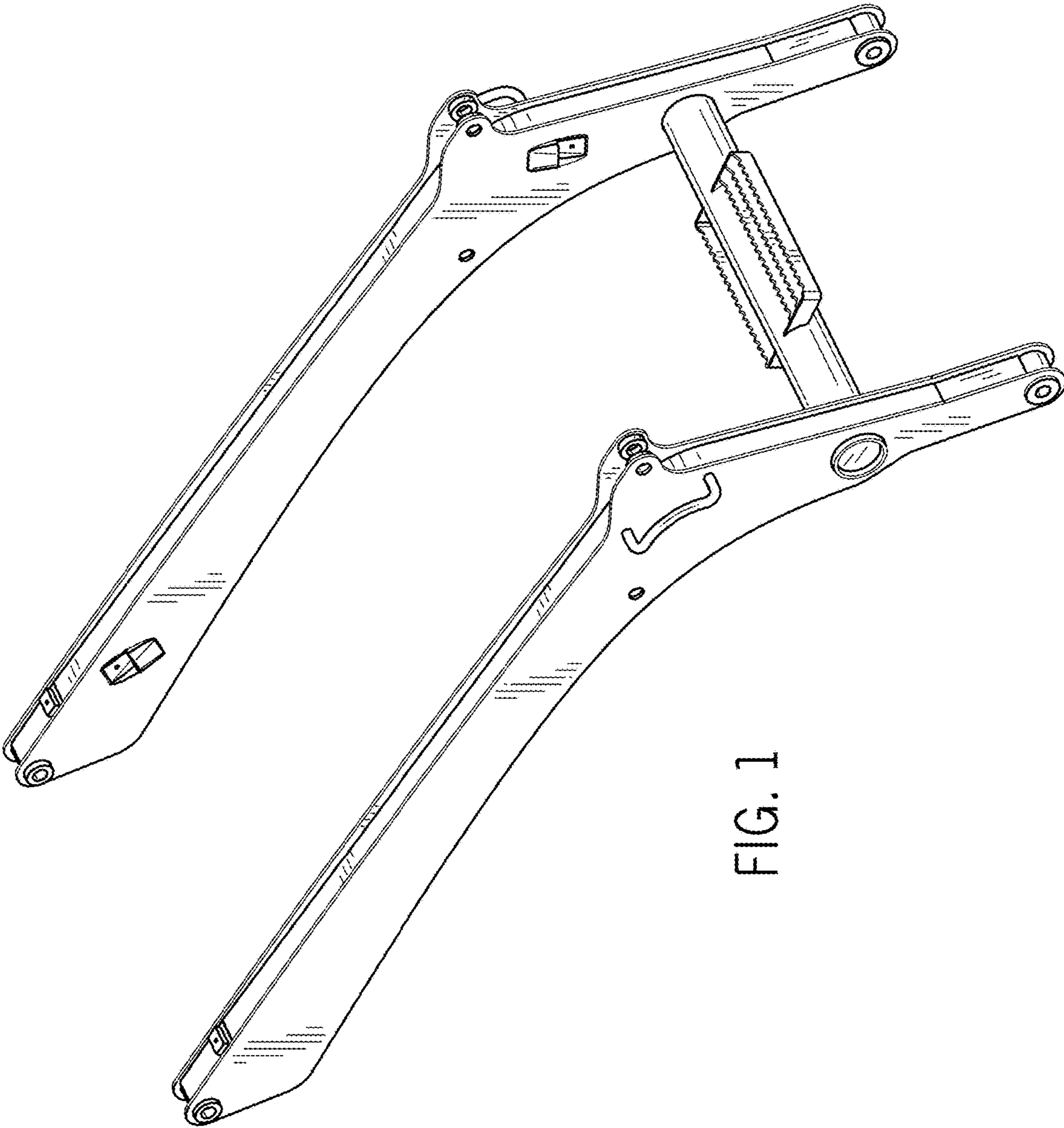


FIG. 1

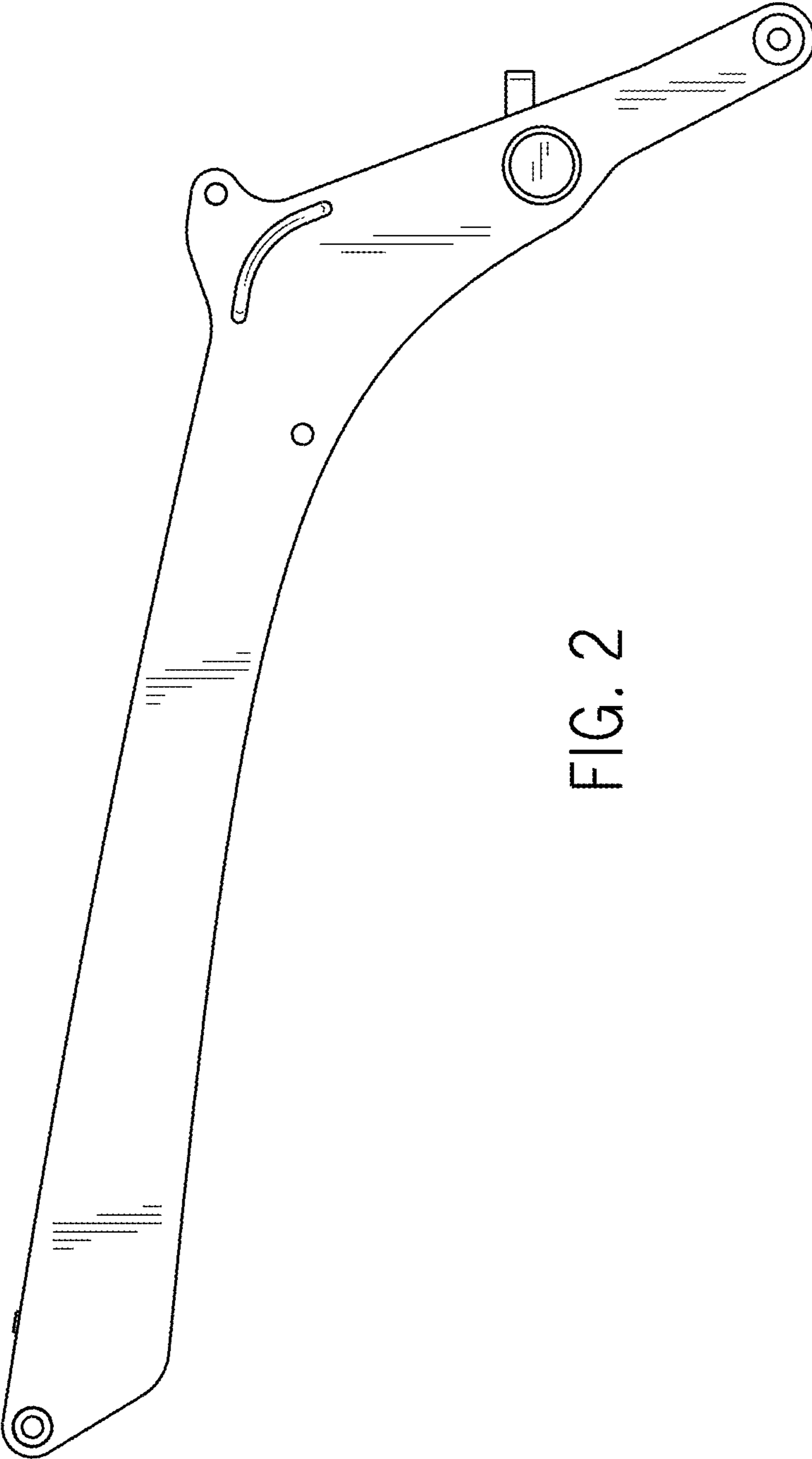


FIG. 2

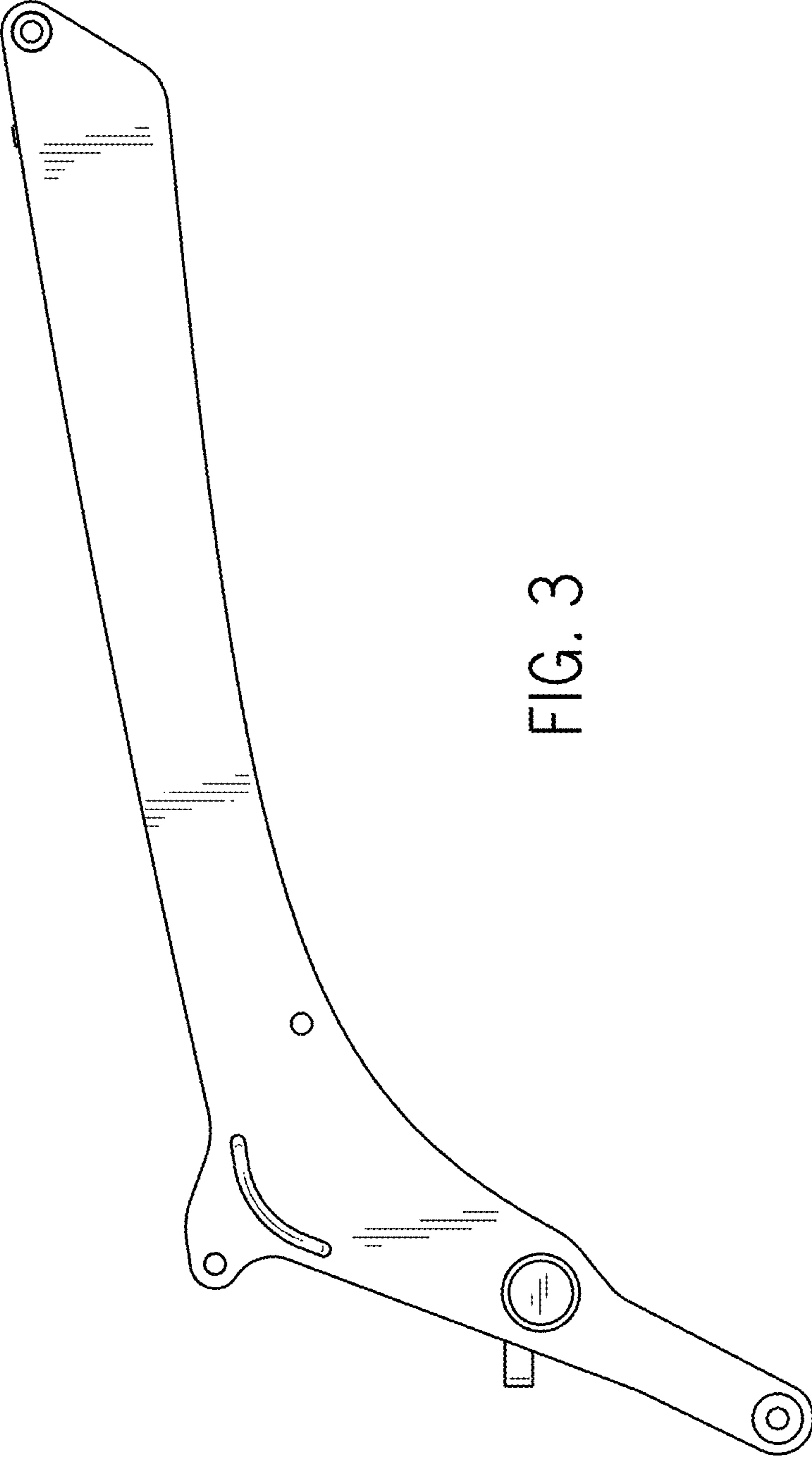


FIG. 3

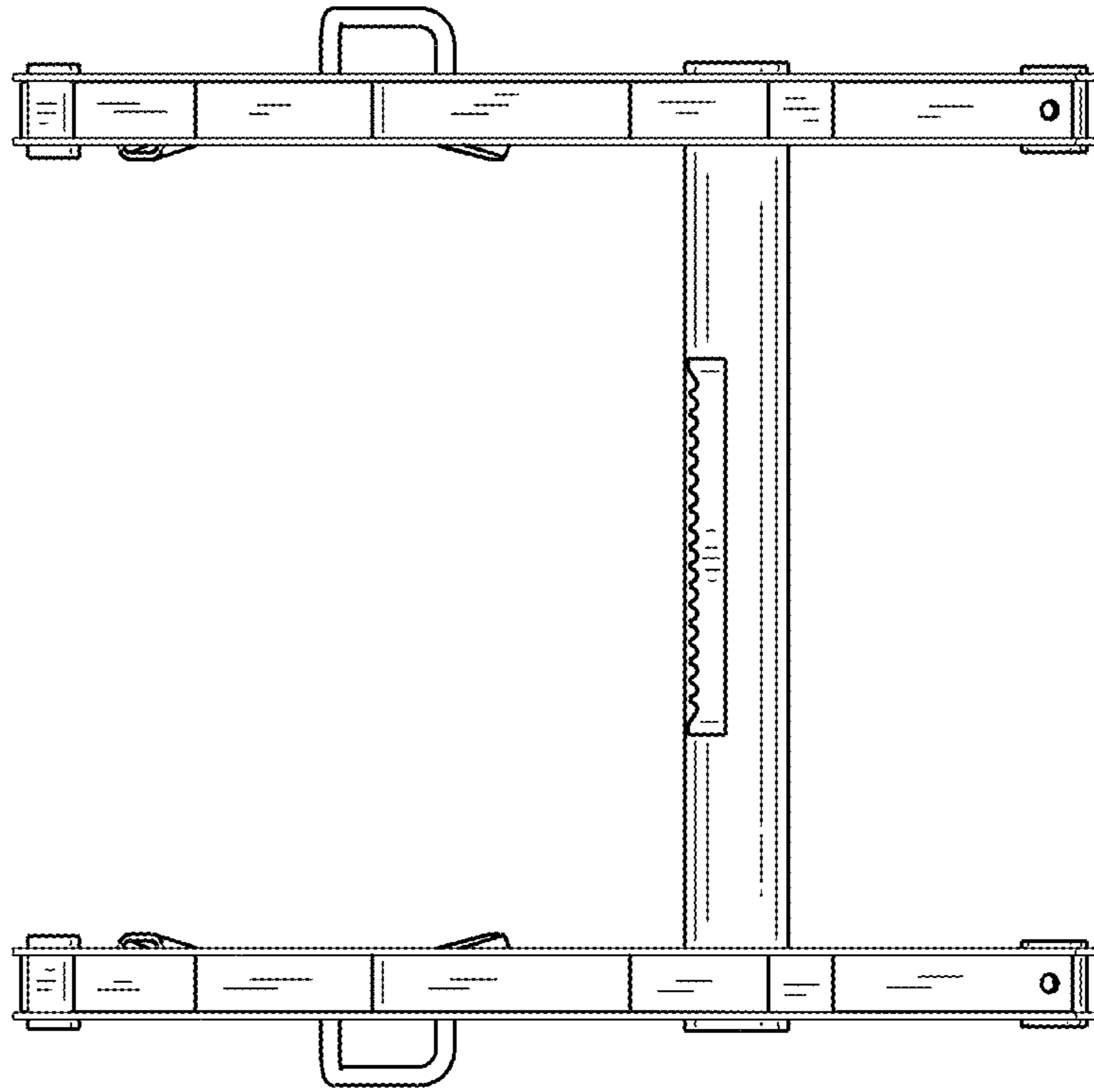


FIG. 5

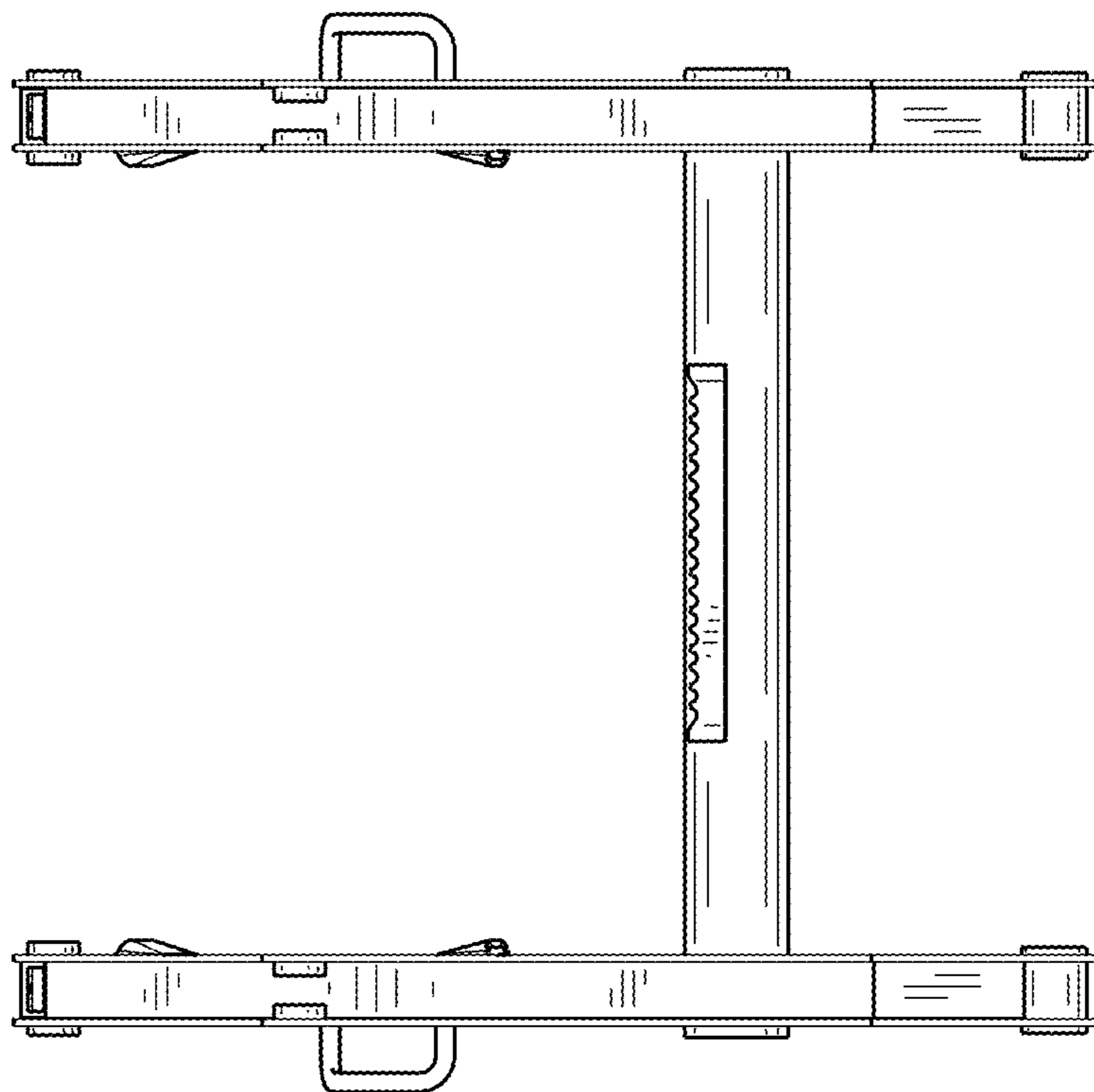


FIG. 4

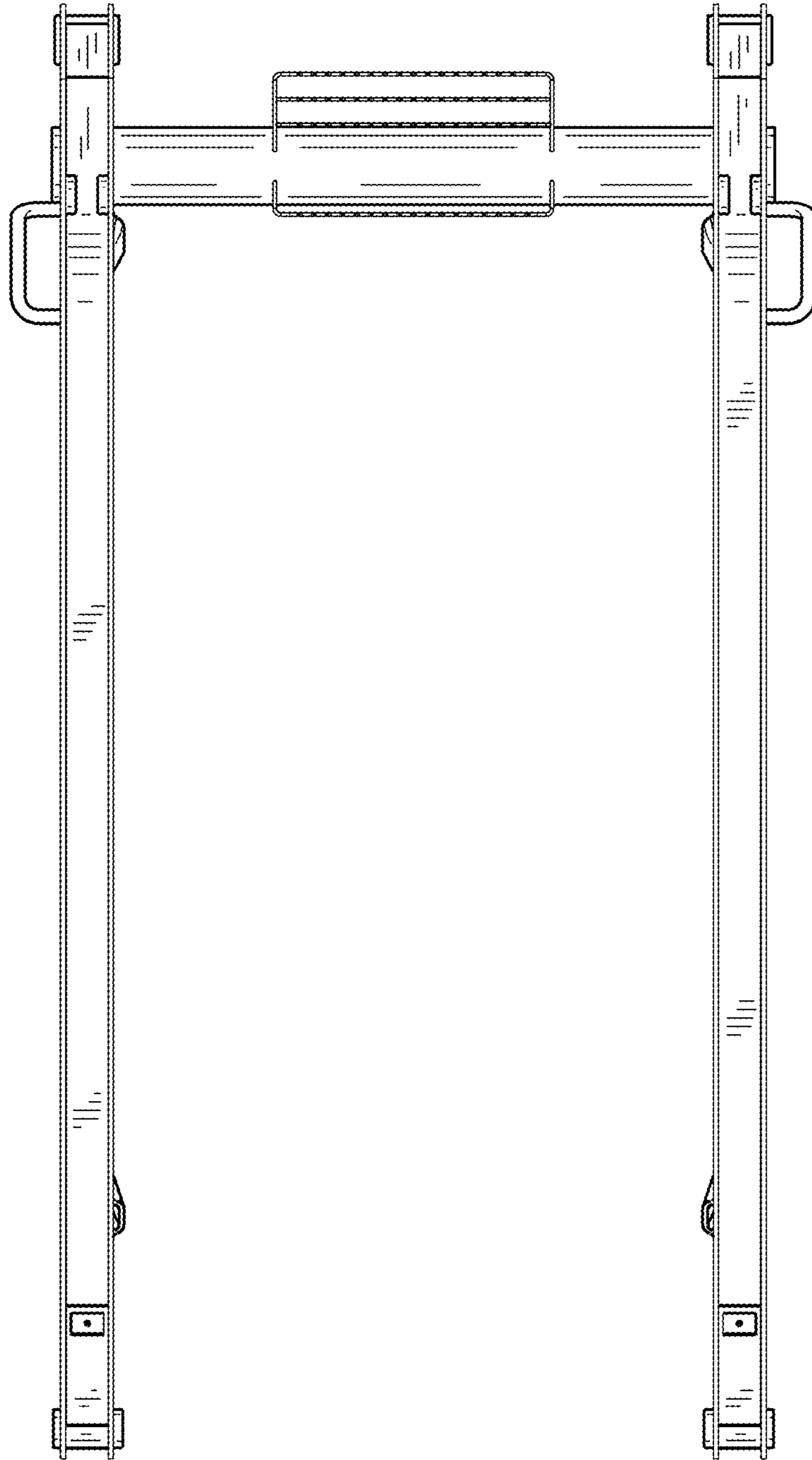


FIG. 6

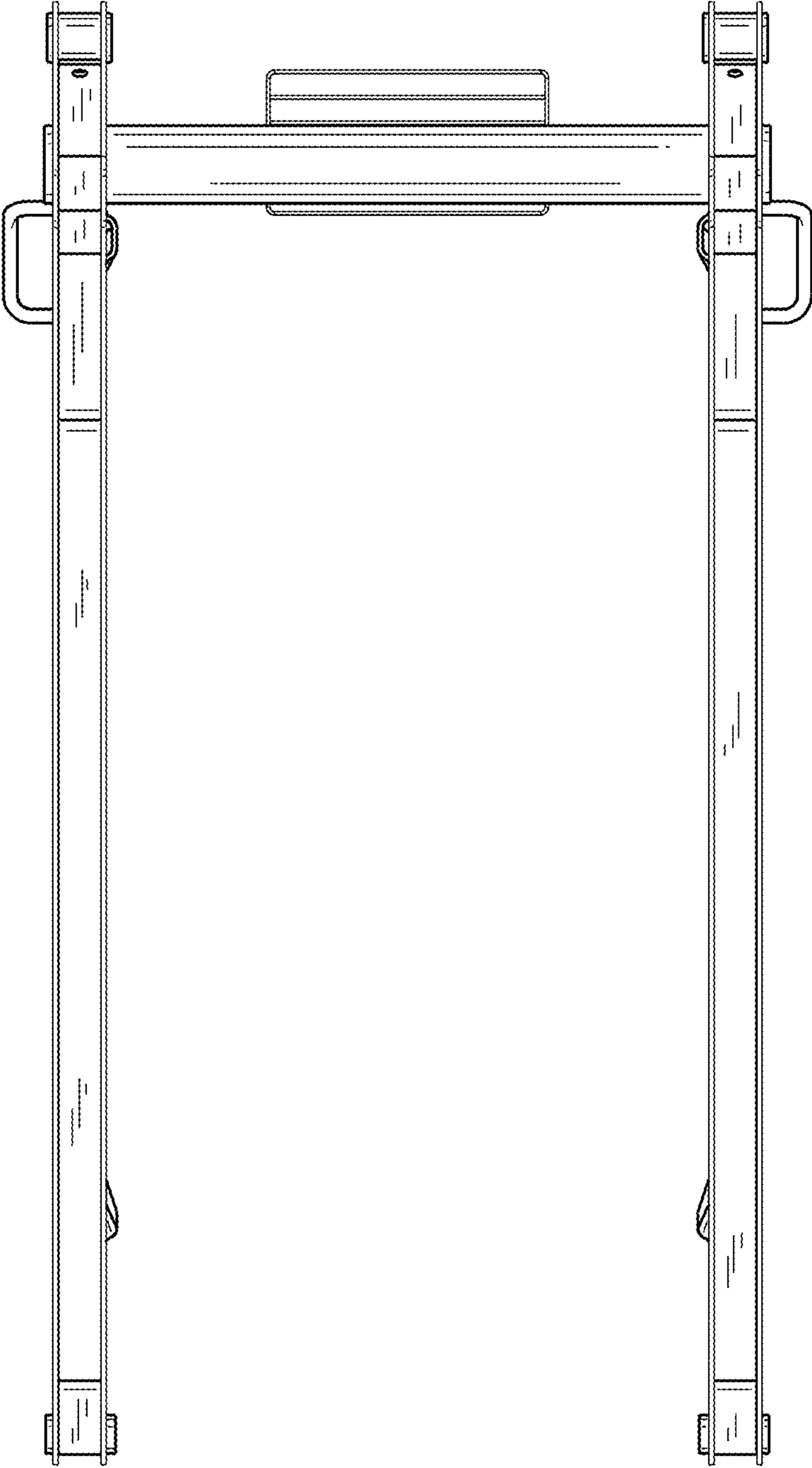


FIG. 7