



US00D814525S

(12) **United States Design Patent**
Yang

(10) **Patent No.:** **US D814,525 S**
(45) **Date of Patent:** **** Apr. 3, 2018**

(54) **AIR COMPRESSOR**

(71) Applicant: **Dongguan Richtek Electronics Co., Ltd.**, Dongguan (CN)

(72) Inventor: **Ken Yang**, Dongguan (CN)

(73) Assignee: **Dongguan Richtek Electronics Co., Ltd.**, Dongguan (CN)

(**) Term: **15 Years**

(21) Appl. No.: **29/597,929**

(22) Filed: **Mar. 21, 2017**

(30) **Foreign Application Priority Data**

Jan. 18, 2017 (CN) 2017 3 0019645

(51) **LOC (11) Cl.** **15-02**

(52) **U.S. Cl.**
USPC **D15/9**

(58) **Field of Classification Search**
USPC D15/7-9; D23/231, 232, 225; 417/60, 417/235, 265, 321, 355, 358, 363, 359, 417/410.1, 415-416, 405, 900; 60/408, 60/412; 184/26-37; 415/140-147; 123/495, 509; 137/565.34
CPC F02M 37/04; F02M 37/14; F04B 53/92; F04B 1/005
See application file for complete search history.

(56) **References Cited**

U.S. PATENT DOCUMENTS

D217,399 S * 4/1970 Whitney D15/7
D327,891 S * 7/1992 Morgan D15/7

D340,458 S * 10/1993 Wang D15/7
D375,505 S * 11/1996 Wong D15/9
D390,236 S * 2/1998 Ashcraft D15/9
D407,412 S * 3/1999 Wang D15/9
D407,413 S * 3/1999 Wang D15/9
D485,281 S * 1/2004 Hsiao D15/9
D499,433 S * 12/2004 Leasure D15/9
D565,601 S * 4/2008 Mandsfelt D15/9
D621,853 S * 8/2010 Sundheim D15/7
D641,765 S * 7/2011 Vieira D15/9
D649,163 S * 11/2011 Moormann D15/7
D707,719 S * 6/2014 Kamijyo D15/7
D800,790 S * 10/2017 Mazur D15/7

* cited by examiner

Primary Examiner — Ralf Seifert

(74) *Attorney, Agent, or Firm* — Wang Law Firm, Inc.

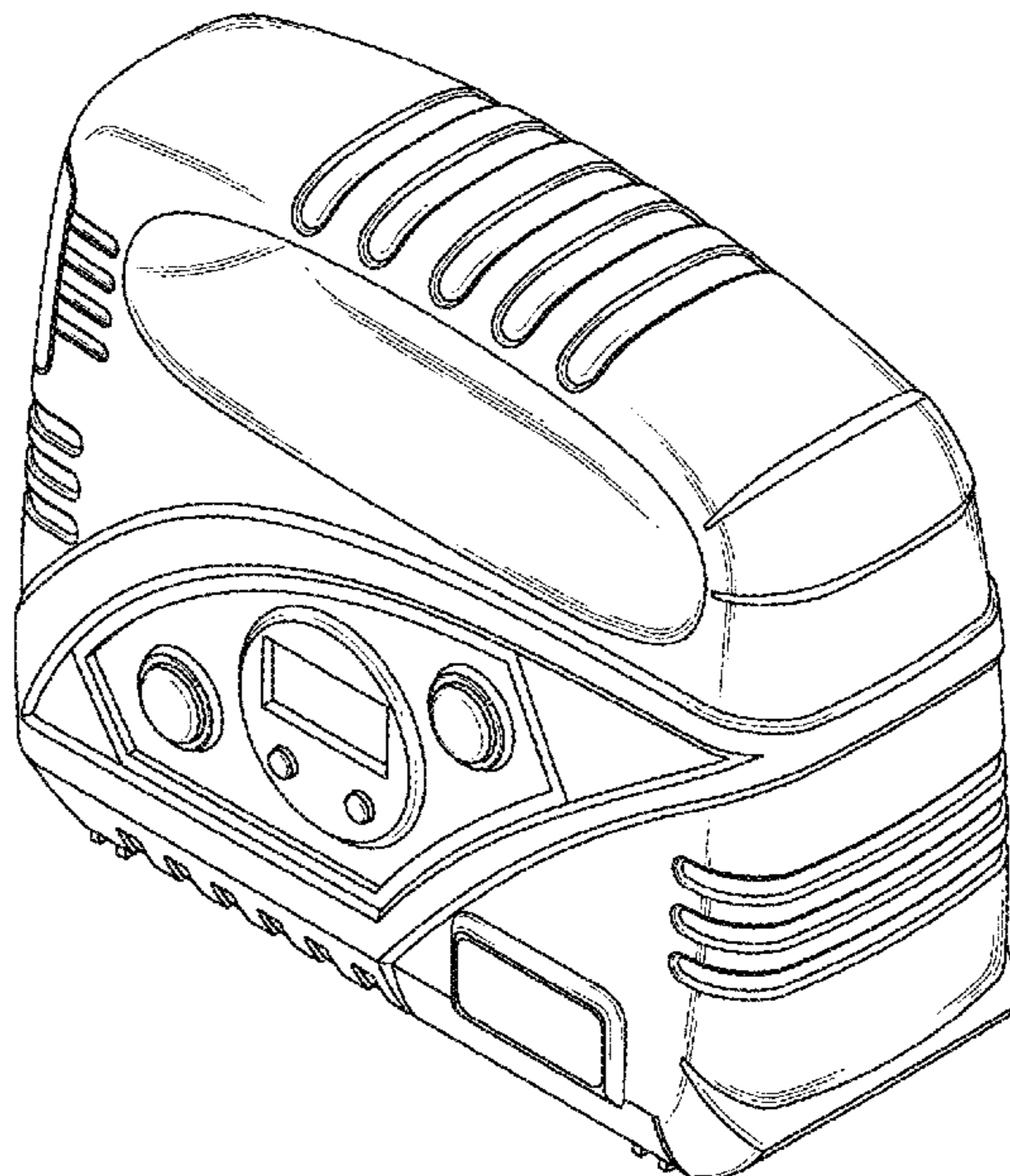
(57) **CLAIM**

The ornamental design for an air compressor, as shown and described.

DESCRIPTION

FIG. 1 is a perspective view of the air compressor showing my new design;
FIG. 2 is a front elevation view thereof;
FIG. 3 is a rear elevation view thereof;
FIG. 4 is left side view thereof;
FIG. 5 is right side view thereof;
FIG. 6 is a top plan view thereof; and,
FIG. 7 is a bottom plan view thereof.

1 Claim, 7 Drawing Sheets



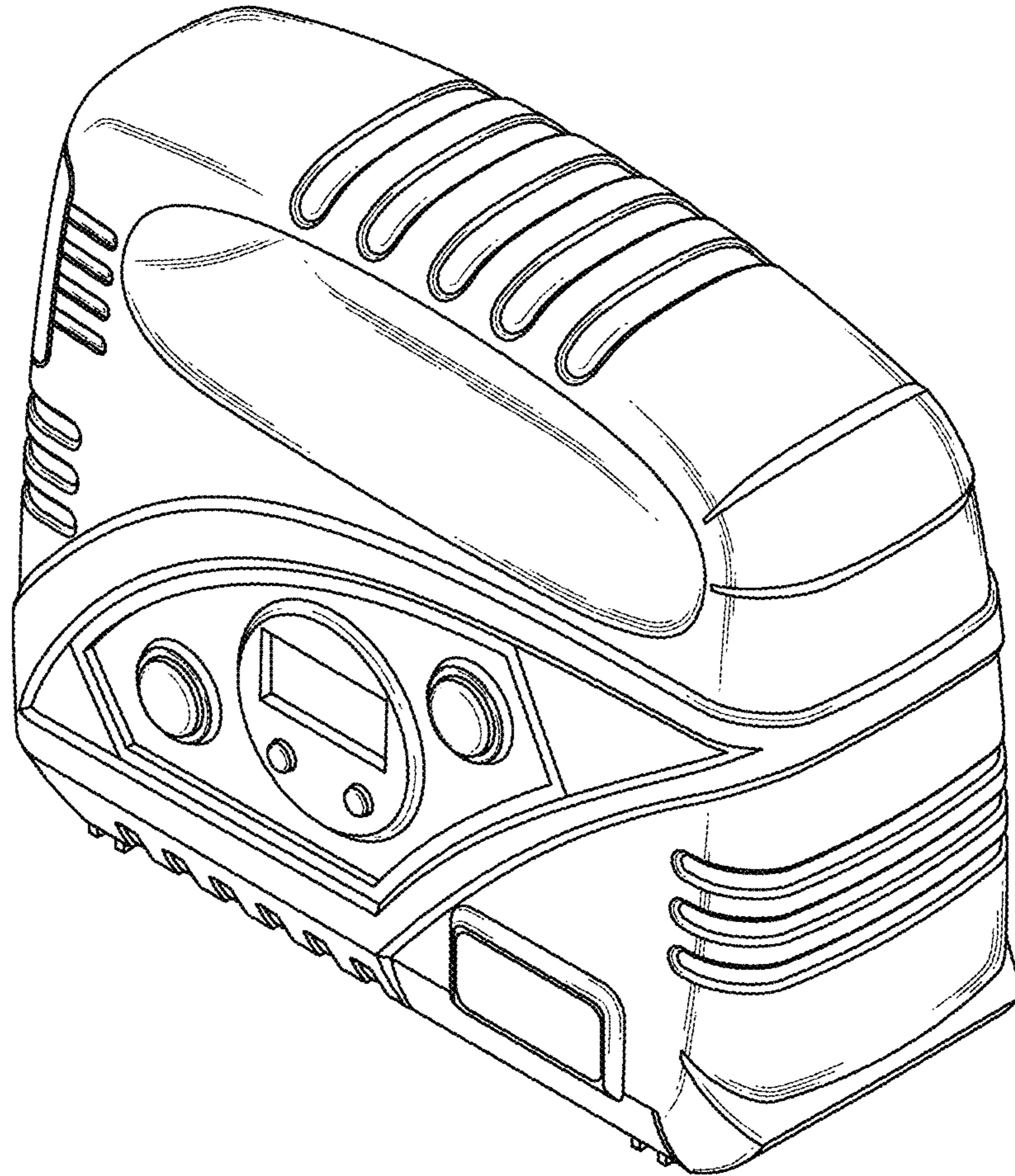


FIG.1

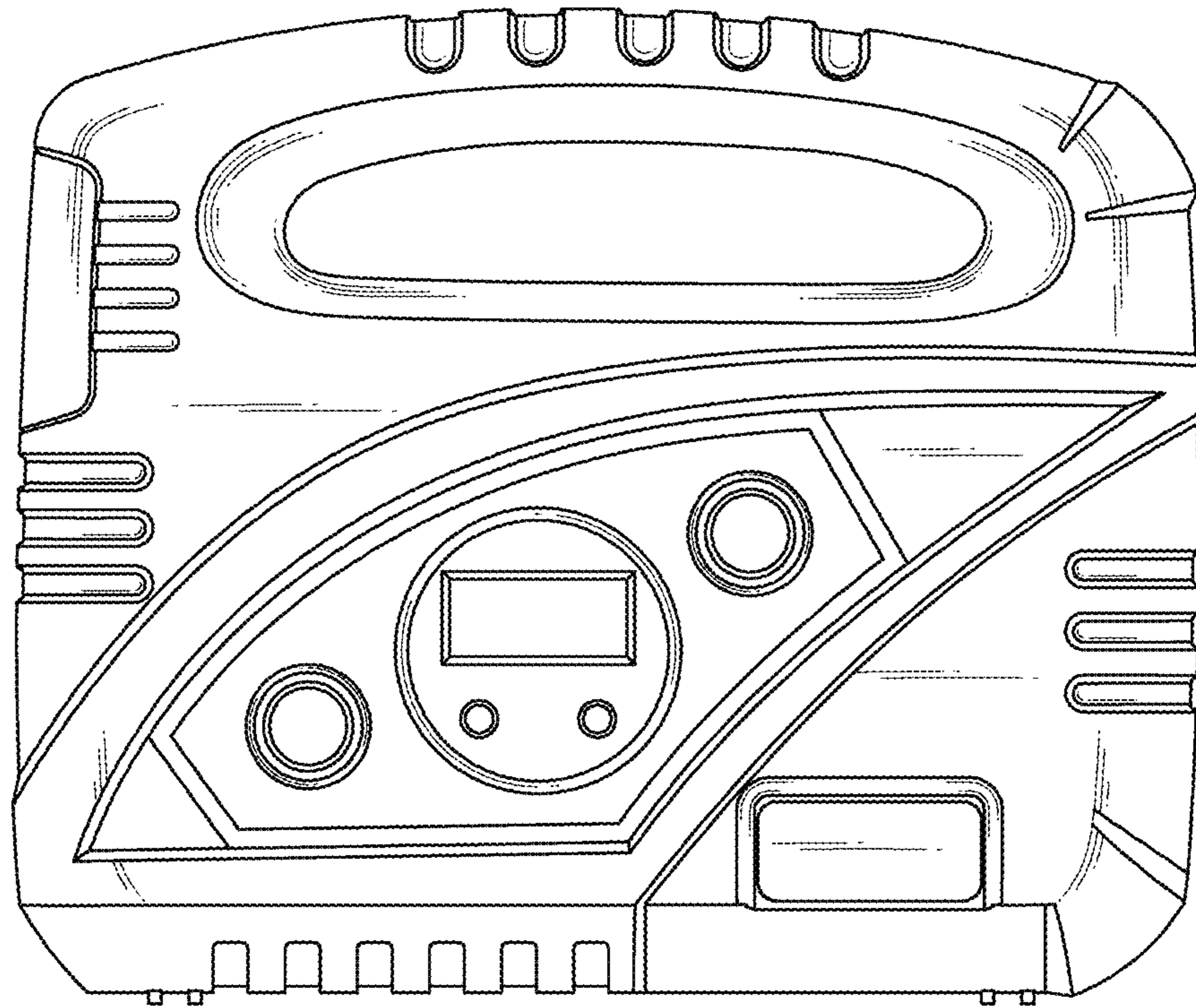


FIG.2

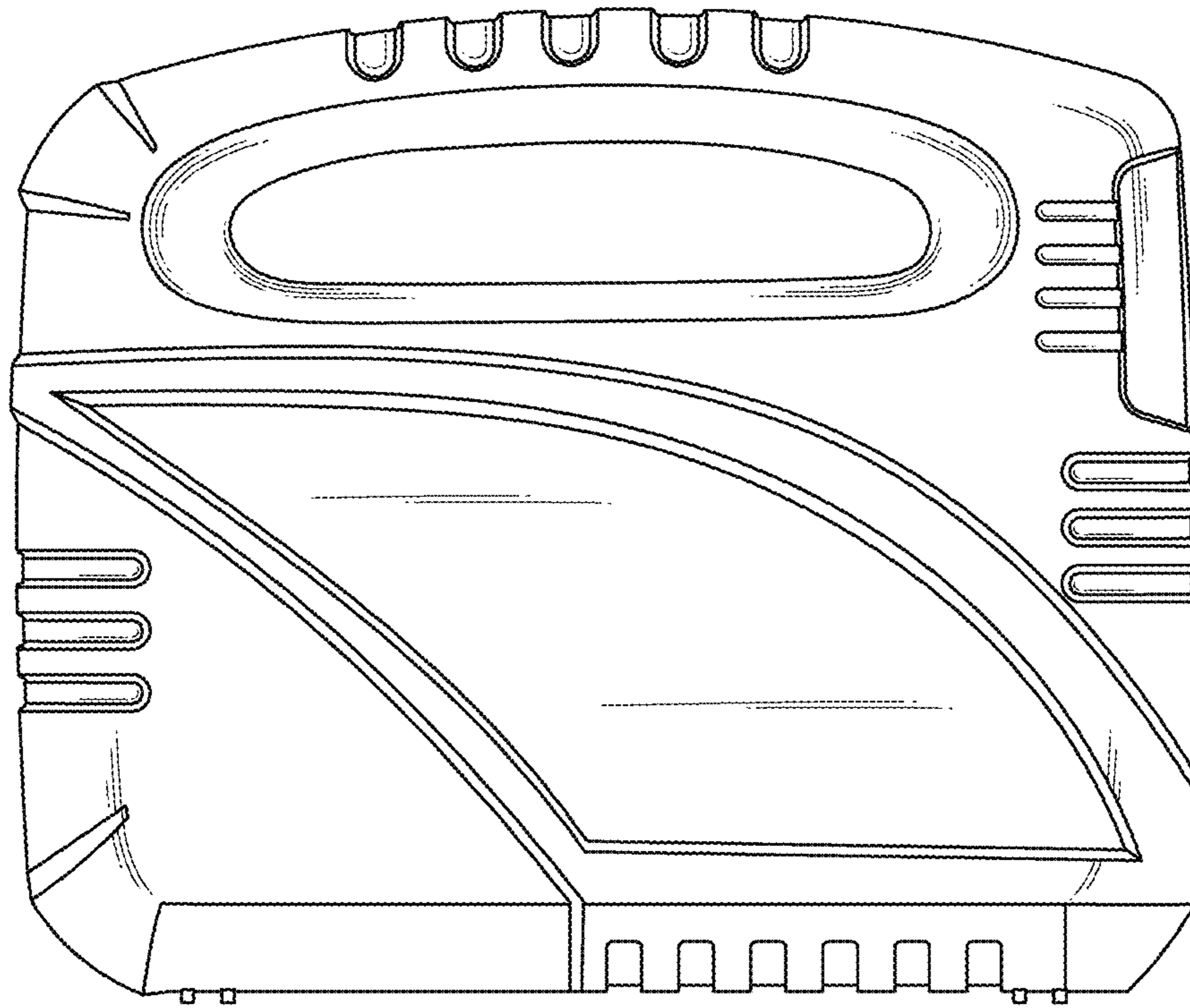


FIG.3

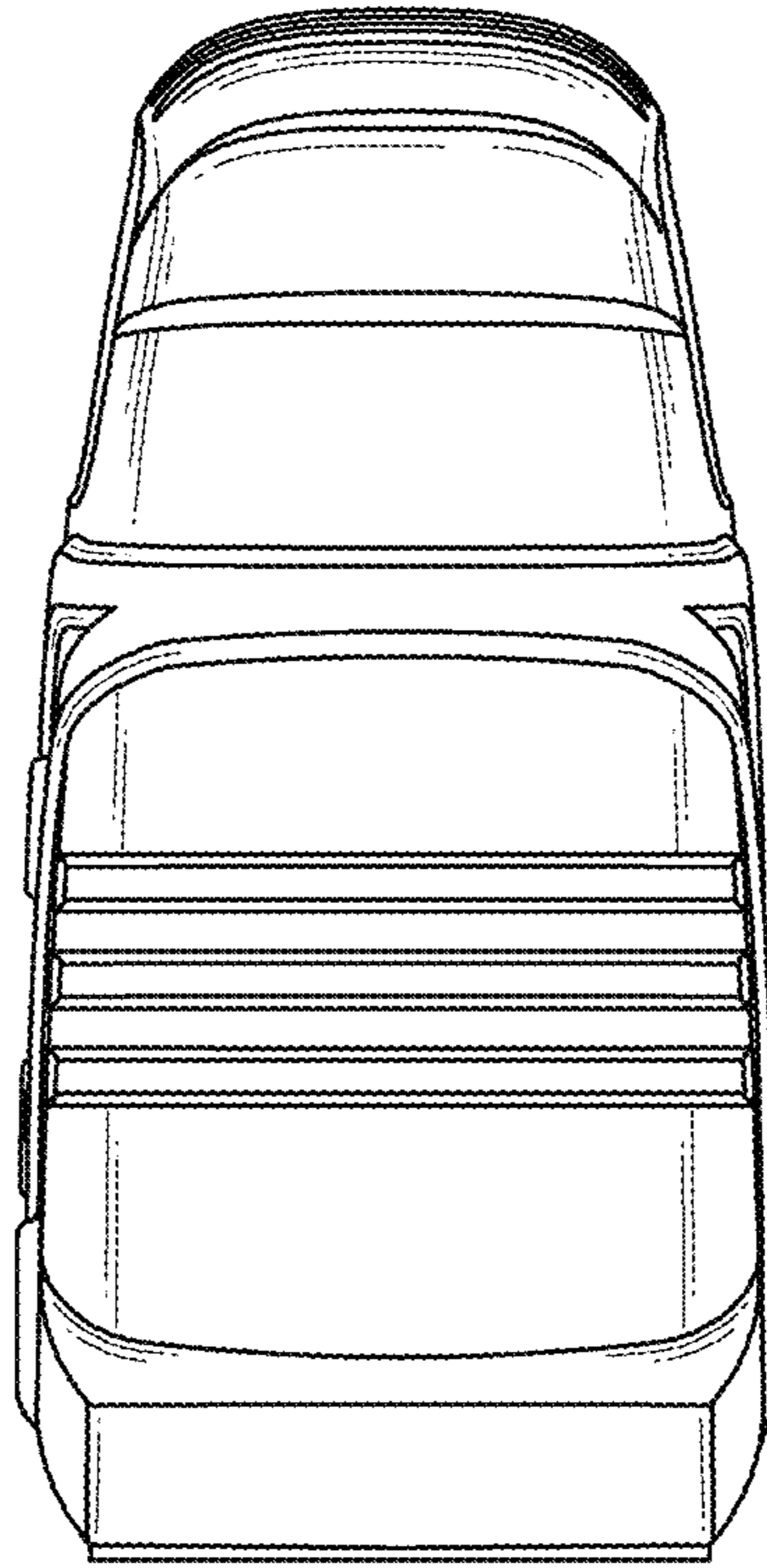


FIG.4

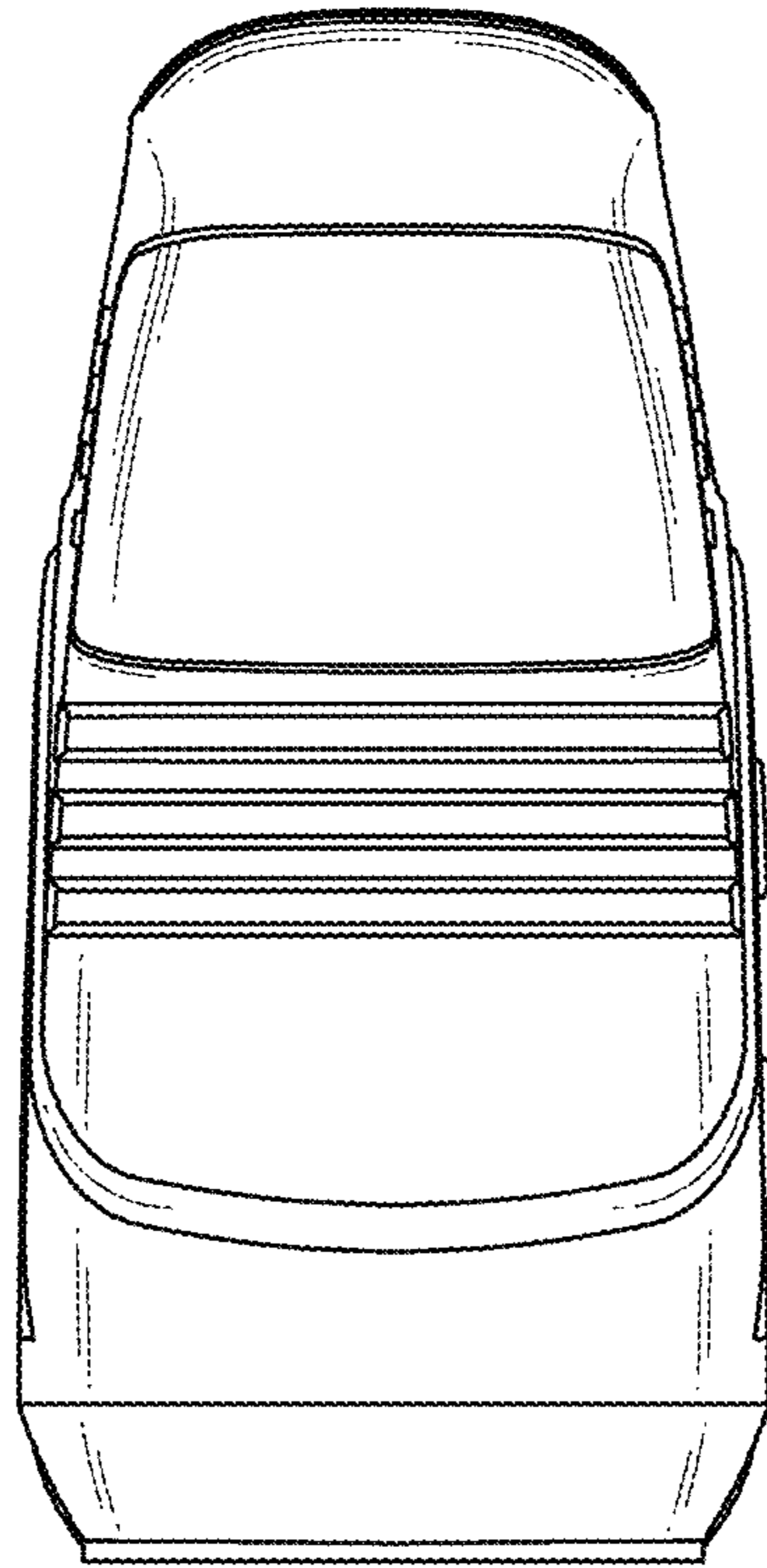


FIG.5

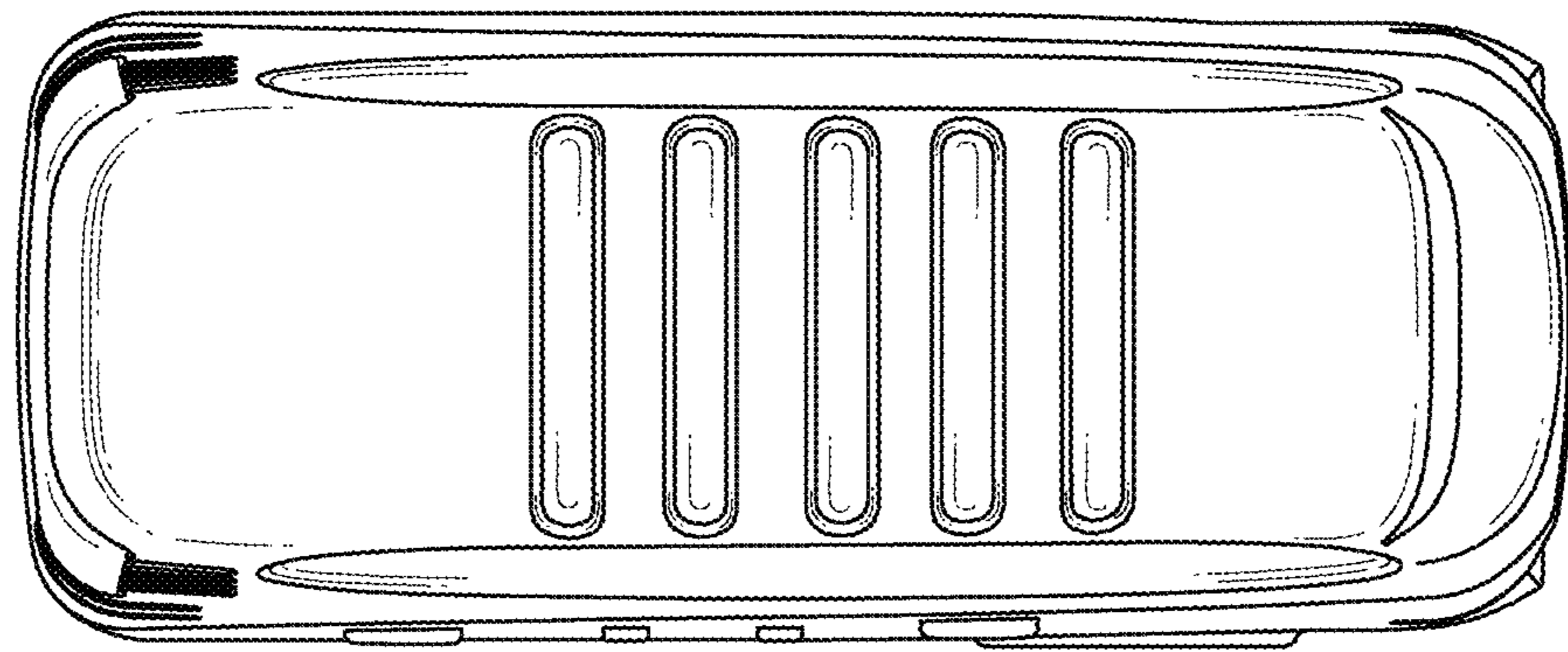


FIG.6

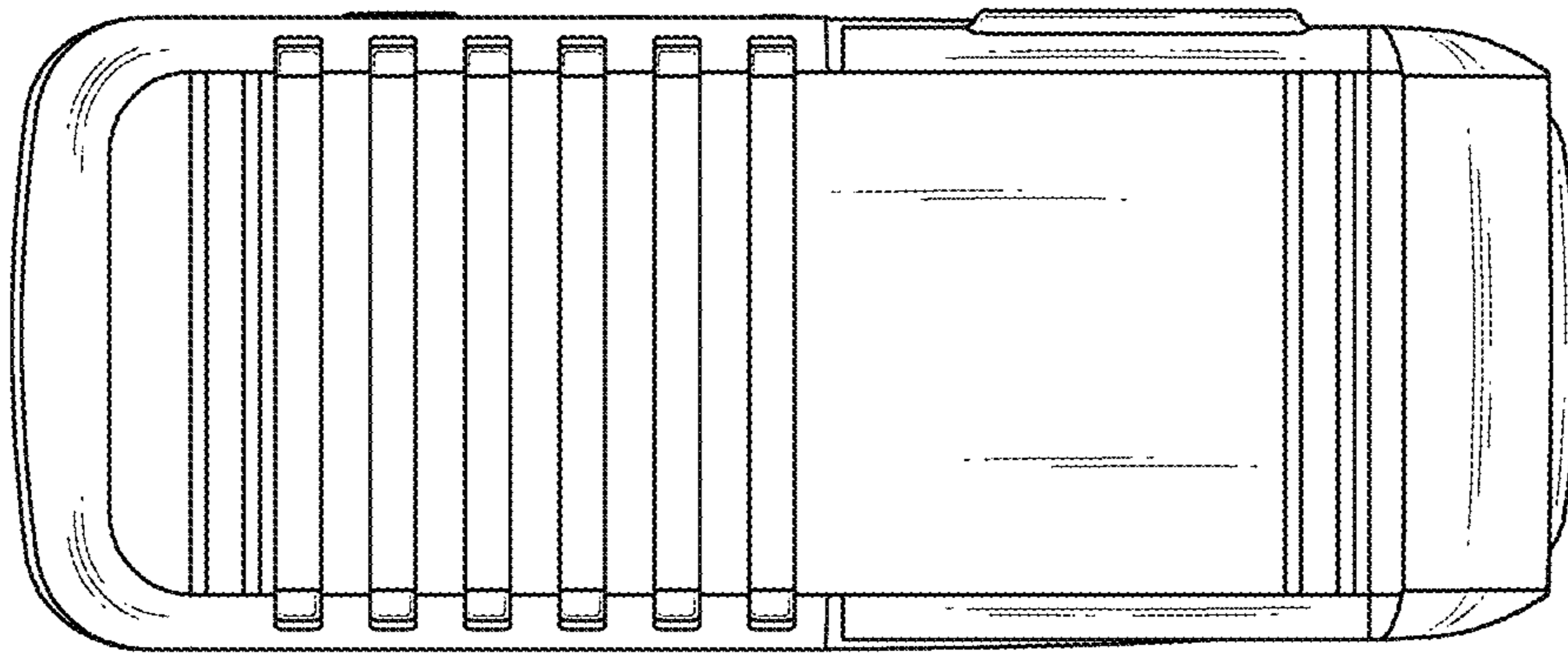


FIG.7