



US00D814524S

(12) **United States Design Patent**  
**Costle et al.**

(10) **Patent No.:** **US D814,524 S**

(45) **Date of Patent:** **\*\* Apr. 3, 2018**

(54) **TIRE REPAIR KIT**

(71) Applicant: **ILLINOIS TOOL WORKS INC.**,  
Glenview, IL (US)

(72) Inventors: **Carey C. Costle**, Tucson, AZ (US);  
**Brendan P. Kelso**, Atascadero, CA  
(US); **Brendan Sangster**, San Luis  
Obispo, CA (US)

(73) Assignee: **ILLINOIS TOOL WORKS INC.**,  
Glenview, IL (US)

(\*\*) Term: **15 Years**

(21) Appl. No.: **29/591,848**

(22) Filed: **Jan. 24, 2017**

(51) **LOC (11) Cl.** ..... **15-02**

(52) **U.S. Cl.**  
USPC ..... **D15/7**

(58) **Field of Classification Search**  
USPC ..... D15/7-9; D23/231, 232, 225; 417/60,  
417/235, 265, 321, 355, 358, 363, 359,  
417/410.1, 415-416, 405, 900, 269, 539;  
60/408, 412; 184/26-37; 415/140-147;  
123/495, 509; 137/565.34  
CPC ..... F02M 37/04; F02M 37/14; F04B 53/92;  
F04B 1/005  
See application file for complete search history.

(56) **References Cited**

**U.S. PATENT DOCUMENTS**

D644,252 S \* 8/2011 Kojima ..... D15/9  
D657,801 S \* 4/2012 Eckhardt ..... D15/9  
D671,560 S \* 11/2012 Ohm ..... D15/7

D672,368 S \* 12/2012 Wong ..... D15/9  
D678,351 S \* 3/2013 Wong ..... D15/9  
D703,241 S \* 4/2014 Eckhardt ..... D15/9  
D722,618 S \* 2/2015 Wong ..... D15/9  
D723,588 S \* 3/2015 Wang ..... D15/9  
D727,972 S \* 4/2015 Jhou ..... D15/9  
D727,973 S \* 4/2015 Jhou ..... D15/9  
D734,367 S \* 7/2015 Jhou ..... D15/9  
D737,864 S \* 9/2015 Jhou ..... D15/9  
D751,120 S \* 3/2016 Spindler ..... D15/9  
D751,121 S \* 3/2016 Spindler ..... D15/9  
D754,209 S \* 4/2016 Chou ..... D15/7  
D778,959 S \* 2/2017 Marini ..... D15/7  
D800,788 S \* 10/2017 Petersen ..... D15/7

\* cited by examiner

*Primary Examiner* — Ralf T Seifert

(74) *Attorney, Agent, or Firm* — Pauley Erickson &  
Kottis

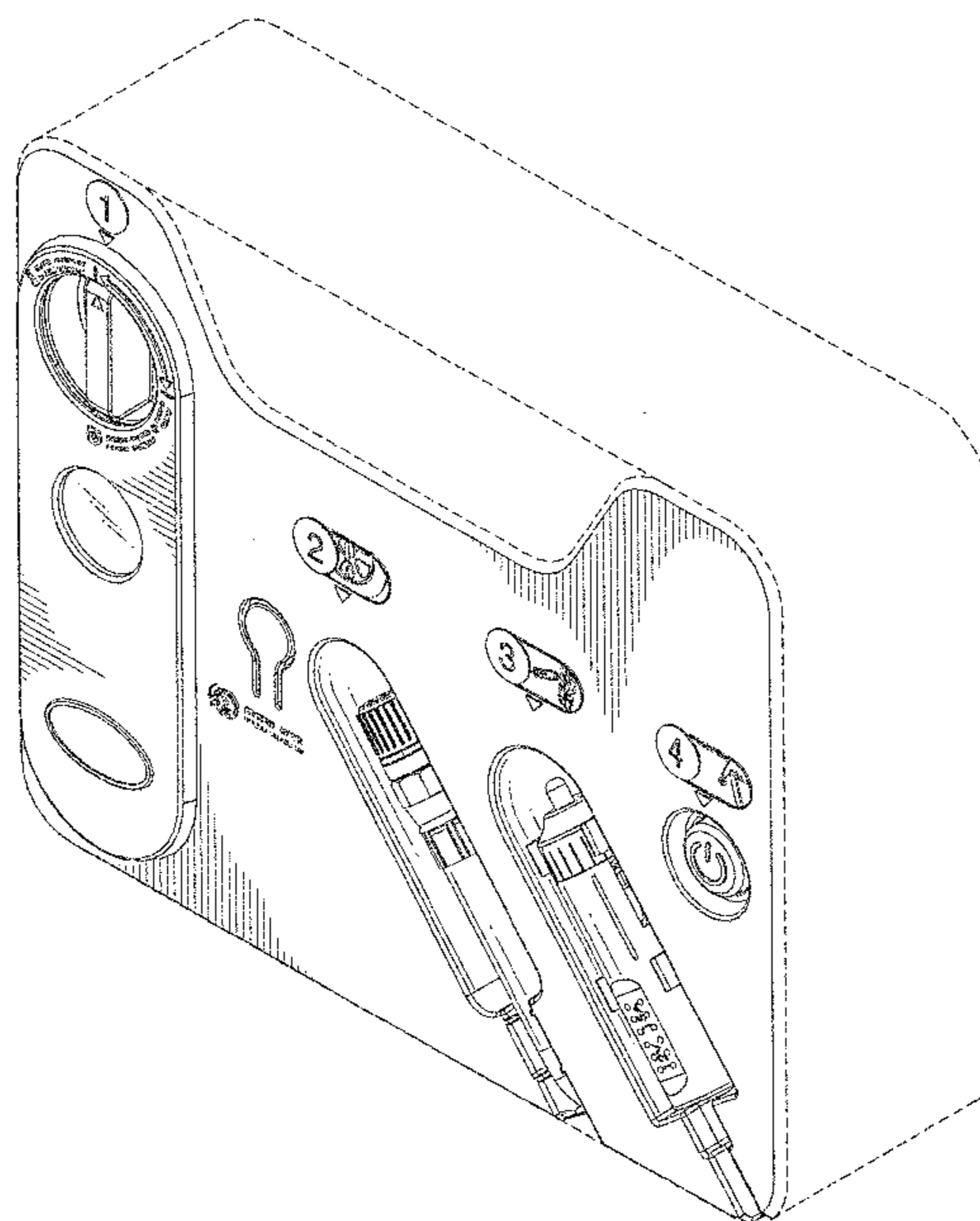
(57) **CLAIM**

The ornamental design for a tire repair kit, as shown and  
described.

**DESCRIPTION**

FIG. 1 is a perspective view of the tire repair kit, according  
to one embodiment of this invention;  
FIG. 2 is a front view of the tire repair kit shown in FIG. 1;  
FIG. 3 is a rear view of the tire repair kit shown in FIG. 1;  
FIG. 4 is a side view of the tire repair kit shown in FIG. 1;  
FIG. 5 is a side view, opposite the side view shown in FIG.  
4, of the tire repair kit shown in FIG. 1;  
FIG. 6 is a top view of the tire repair kit shown in FIG. 1;  
and,  
FIG. 7 is a bottom view of tire repair kit shown in FIG. 1.

**1 Claim, 7 Drawing Sheets**



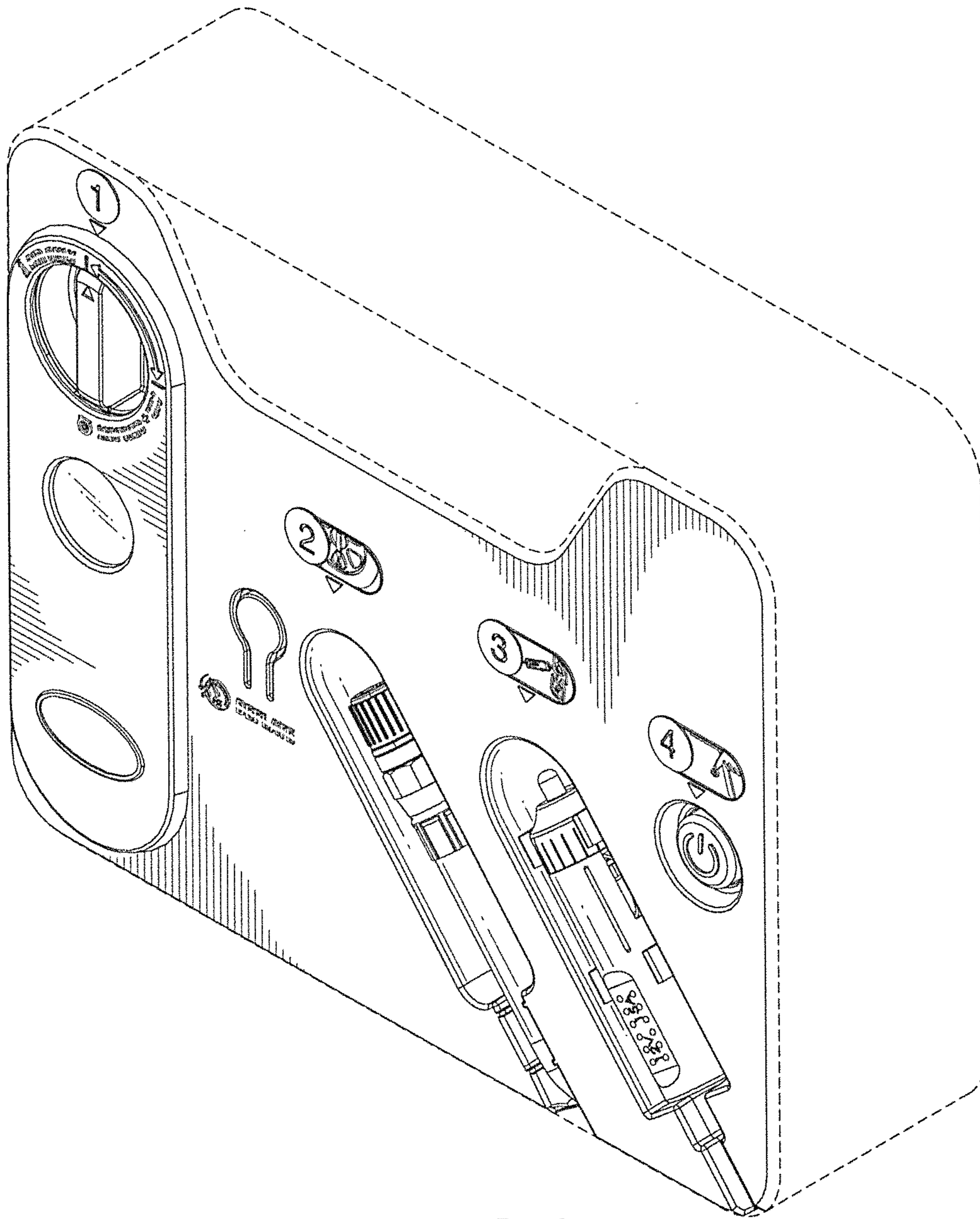


FIG. 1

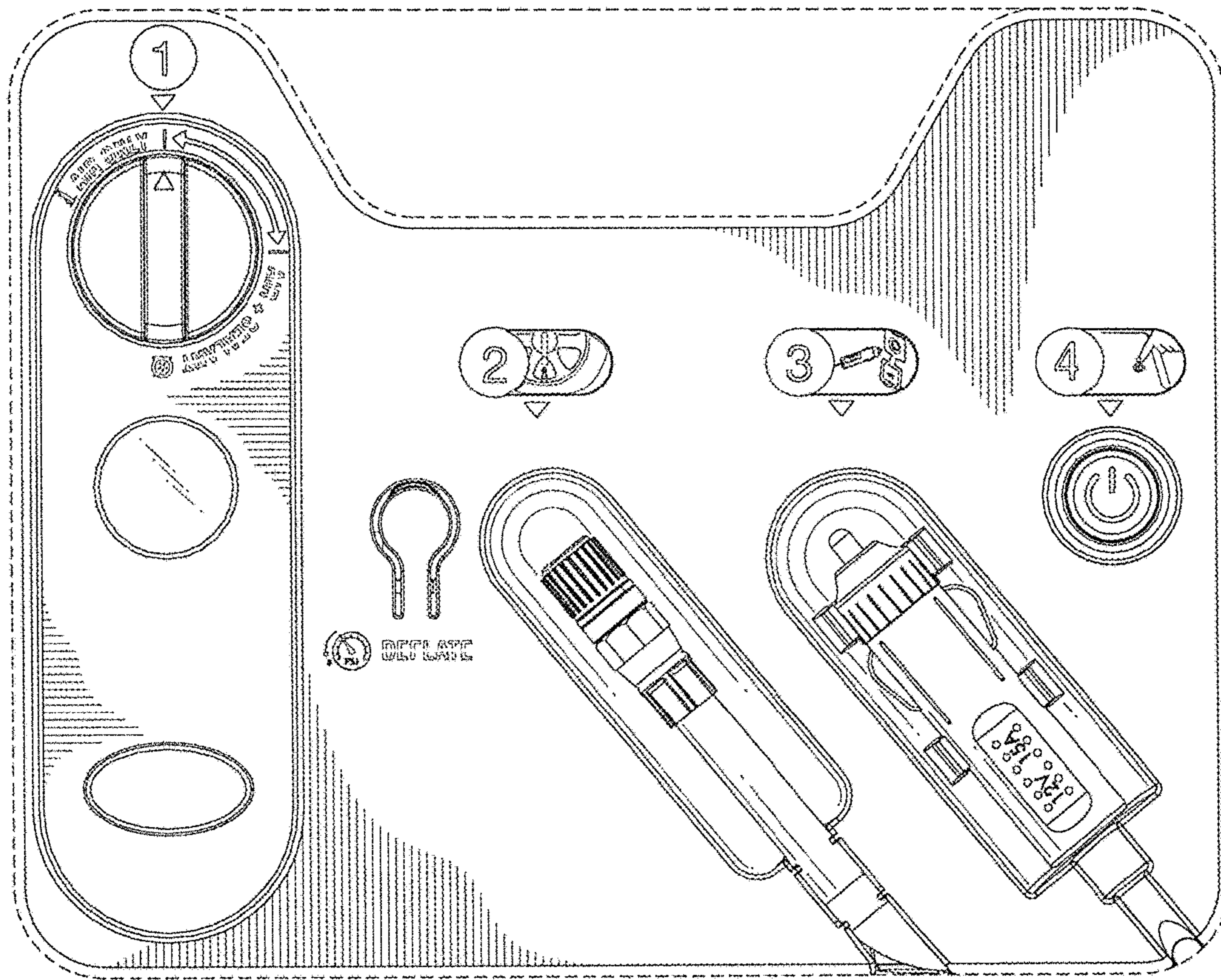


FIG. 2



FIG.3

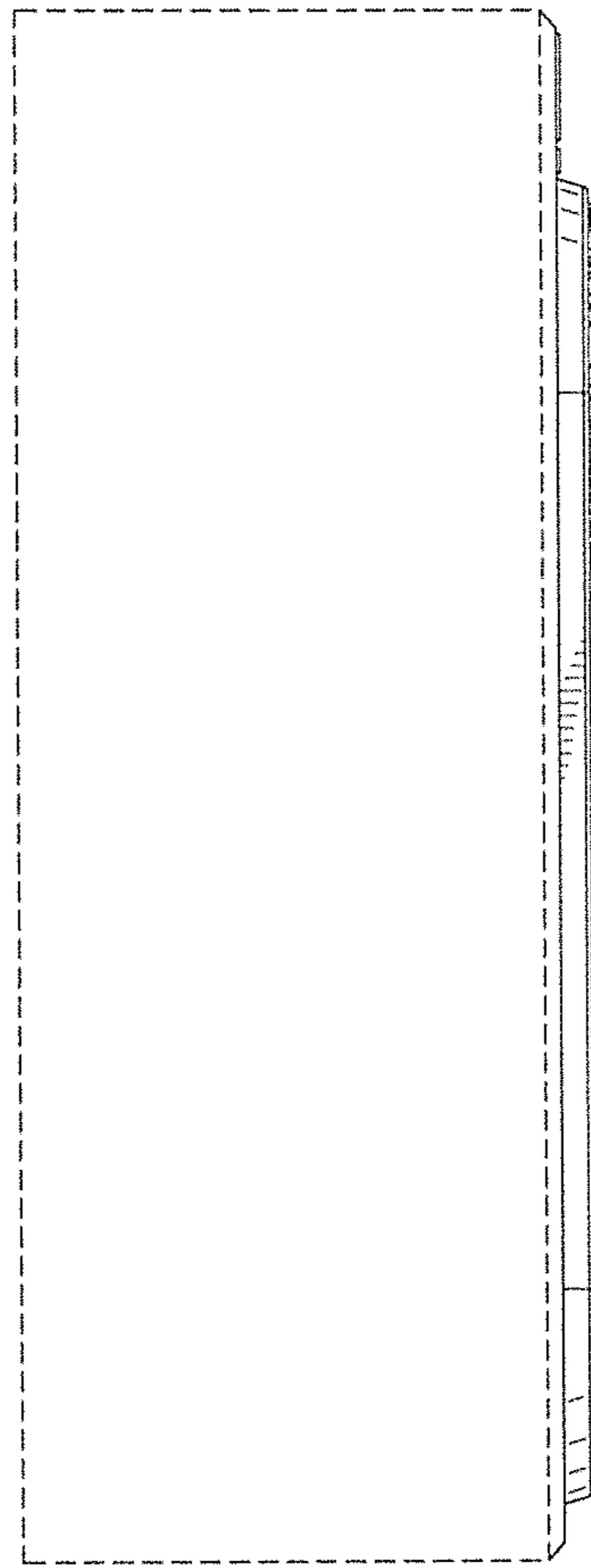


FIG. 4

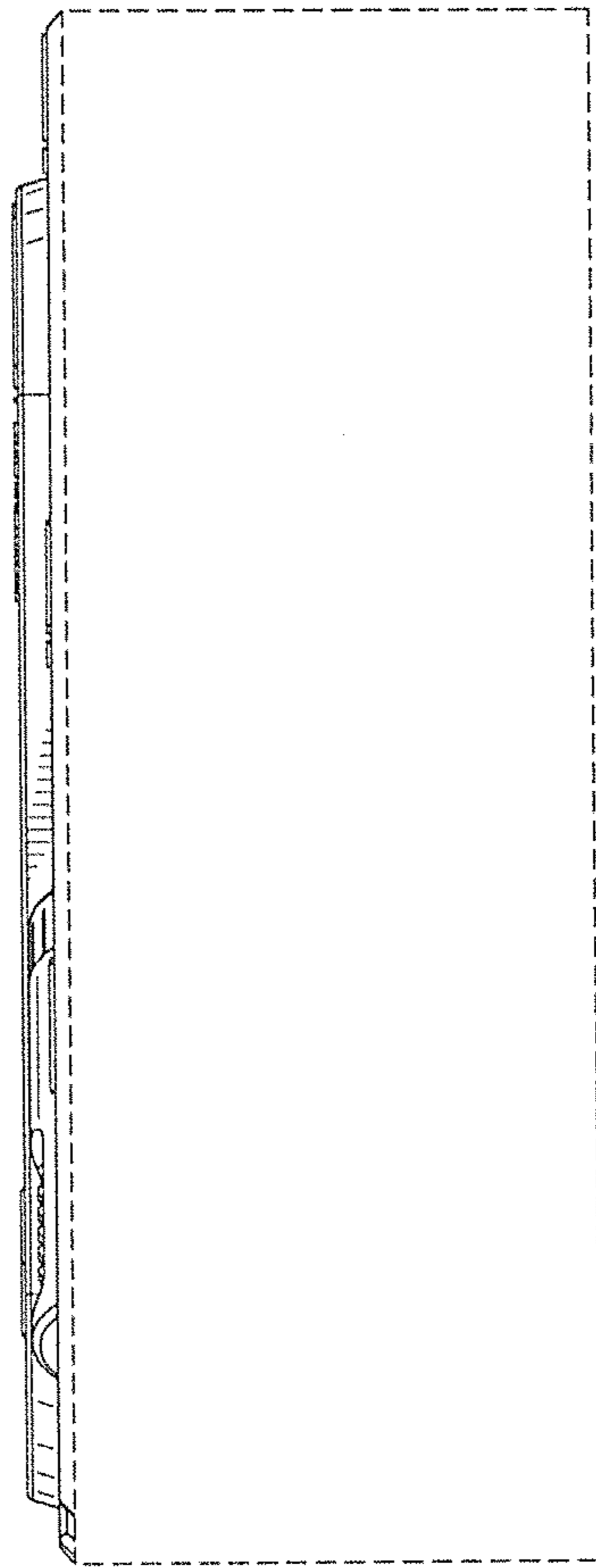


FIG. 5

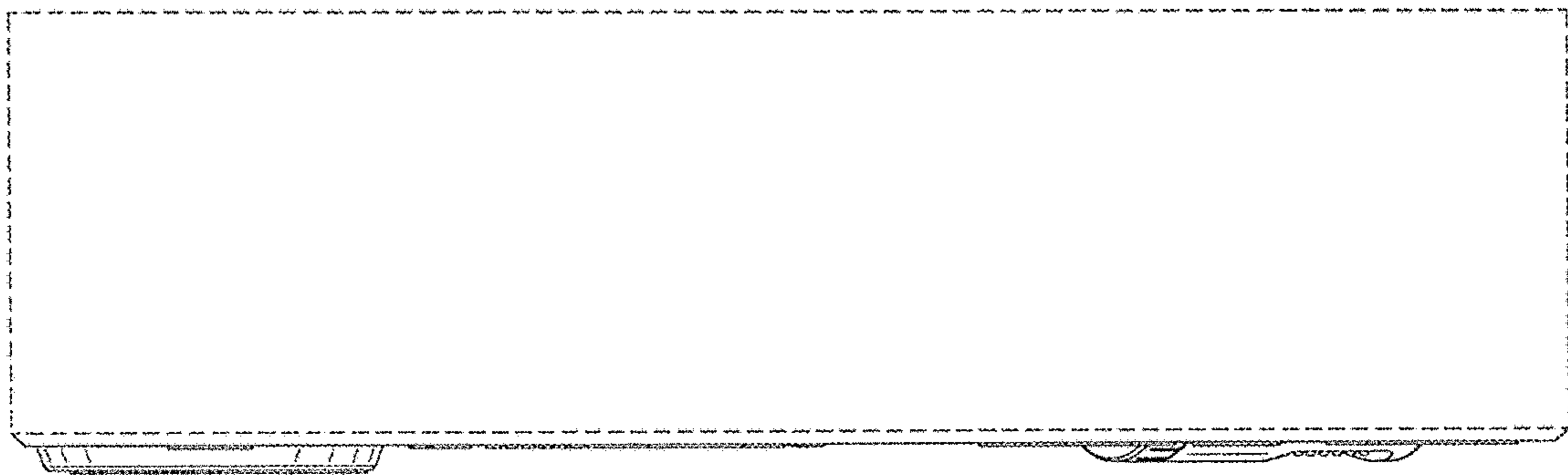


FIG. 6

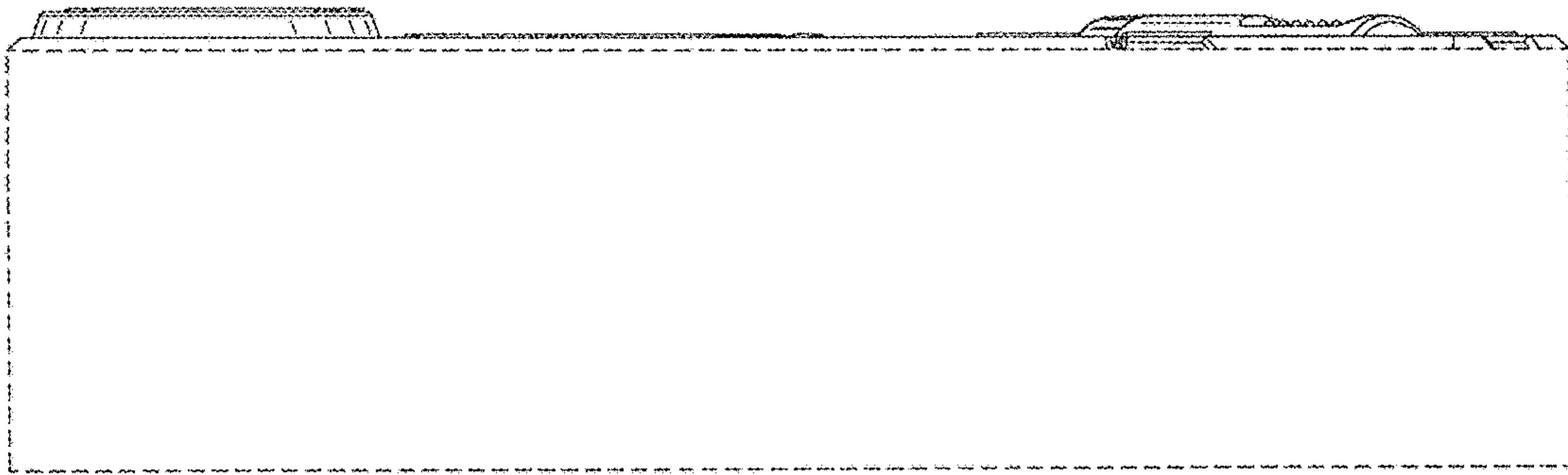


FIG. 7