



US00D814523S

(12) **United States Design Patent** (10) **Patent No.:** **US D814,523 S**
Vaninetti et al. (45) **Date of Patent:** **** Apr. 3, 2018**

(54) **ENGINE PLENUM CHAMBER**

(71) Applicant: **Brunswick Corporation**, Lake Forest, IL (US)

(72) Inventors: **Travis J. Vaninetti**, Los Gatos, CA (US); **Robert A. Podell**, Slinger, WI (US)

(73) Assignee: **Brunswick Corporation**, Mettawa, IL (US)

(**) Term: **15 Years**

(21) Appl. No.: **29/594,083**

(22) Filed: **Feb. 15, 2017**

(51) **LOC (11) Cl.** **15-01**

(52) **U.S. Cl.**
USPC **D15/5**

(58) **Field of Classification Search**
USPC D23/23, 194; D15/1, 5
(Continued)

(56) **References Cited**

U.S. PATENT DOCUMENTS

4,925,510 A * 5/1990 Hojo F02M 35/10321
156/153
4,957,071 A * 9/1990 Matsuo F02B 27/02
123/184.36

(Continued)

OTHER PUBLICATIONS

Mercury Racing, SB4 7.0 Automotive Aftermarket Crate Engine, informational web page, p. 2, website accessible at <http://www.mercuryracing.com/automotive/>, last visited Feb. 9, 2017.

(Continued)

Primary Examiner — T. Chase Nelson

Assistant Examiner — Ania Aman

(74) *Attorney, Agent, or Firm* — Andrus Intellectual Property Law, LLP

(57) **CLAIM**

The ornamental design for an engine plenum chamber, as shown and described.

DESCRIPTION

FIG. 1 is a perspective view of a first embodiment of an engine plenum chamber according to our new and ornamental design;

FIG. 2 is a rear elevation view thereof;

FIG. 3 is a front elevation view thereof;

FIG. 4 is a right side elevation view thereof;

FIG. 5 is a left side elevation view thereof;

FIG. 6 is a top plan view thereof;

FIG. 7 is a bottom plan view thereof;

FIG. 8 is a top plan view of a second embodiment of an engine plenum chamber according to our new and ornamental design;

FIG. 9 is a perspective view of a third embodiment of an engine plenum chamber according to our new and ornamental design;

FIG. 10 is a rear elevation view thereof;

FIG. 11 is a front elevation view thereof;

FIG. 12 is a right side elevation view thereof;

FIG. 13 is a left side elevation view thereof;

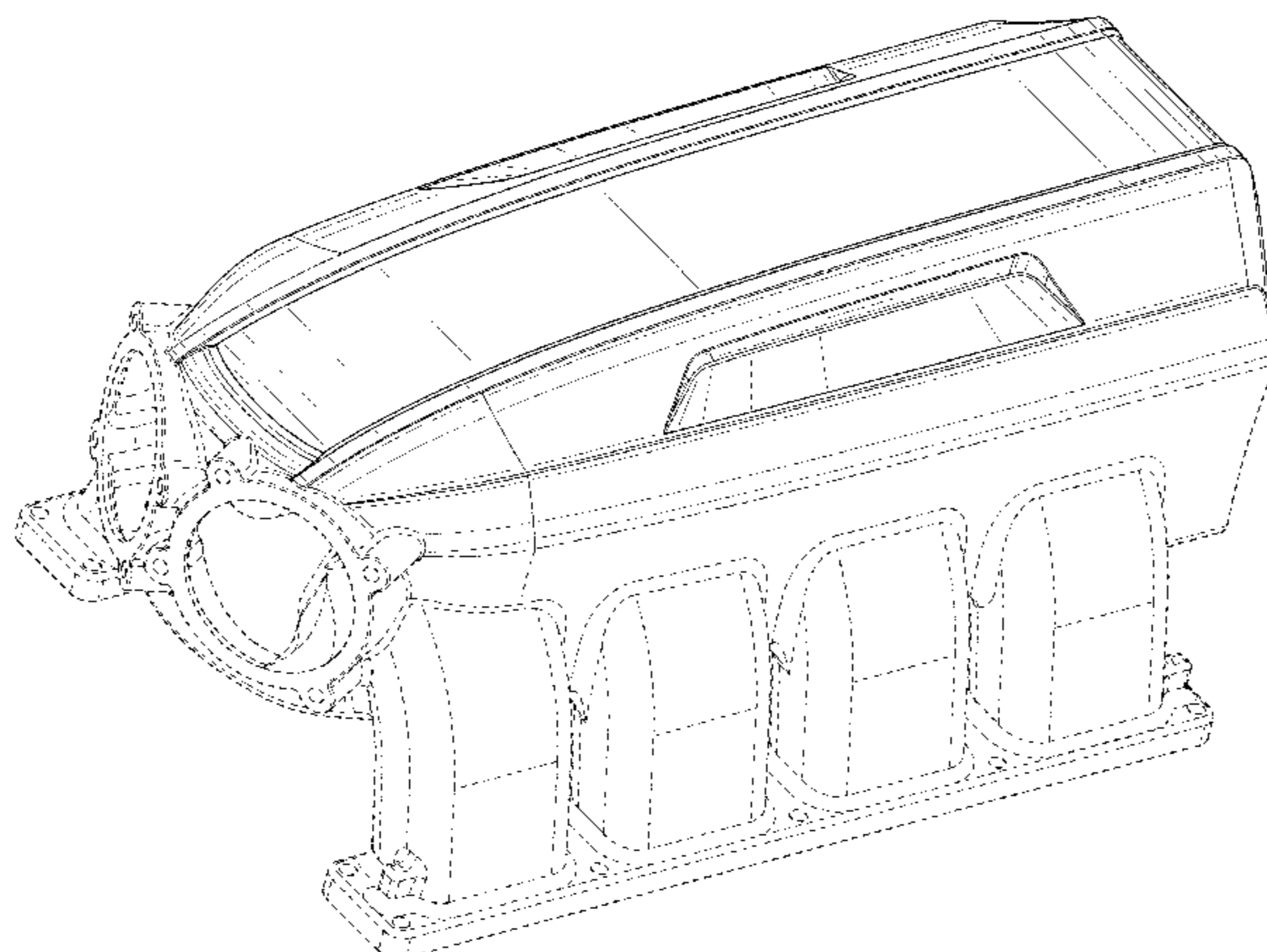
FIG. 14 is a top plan view thereof;

FIG. 15 is a bottom plan view thereof; and,

FIG. 16 is a top plan view of a fourth embodiment of an engine plenum chamber according to our new and ornamental design.

The broken lines between the solid and broken line portions of the engine plenum chamber are boundaries of the claimed design, and as such, form no part of the claimed design. The broken lines beyond the boundaries of the design illustrate environment and form no part of the claimed design. In FIGS. 8 and 16, the stippled areas represent areas of contrasting appearance to the adjacent non-stippled areas. The second embodiment of the engine plenum chamber is identical to the first embodiment of the engine plenum chamber in all respects, except for the stippled area having the above-noted contrasting appearance. The fourth embodi-

(Continued)



ment of the engine plenum chamber is identical to the third embodiment of the engine plenum chamber in all respects, except for the stippled area having the above-noted contrasting appearance.

1 Claim, 16 Drawing Sheets

(58) **Field of Classification Search**

CPC F02M 35/104; F02M 35/10052; F02M 35/10078; F02M 35/112; F02M 35/10085; F02M 35/10091; F02M 31/00; F02M 31/04; F02M 31/042; F02M 31/045; F02M 31/047; F02M 35/116; F02M 31/093; F02M 35/10144; F02M 35/162; F02M 35/10039; F02M 35/10347; F02M 35/10334

See application file for complete search history.

(56) **References Cited**

U.S. PATENT DOCUMENTS

5,494,011 A * 2/1996 Haller F02M 35/10052
123/184.32
5,911,205 A * 6/1999 Gambardella F02B 27/00
123/184.35
6,053,148 A * 4/2000 Glovatsky F02M 35/10072
123/184.34
6,216,656 B1 * 4/2001 Hada F02M 35/10039
123/184.34
D580,457 S * 11/2008 Bender D15/5

D673,978 S * 1/2013 Hsu D15/5
D673,979 S * 1/2013 Finnican D15/5
D677,699 S * 3/2013 Finnican D15/5
D680,132 S * 4/2013 Finnican D15/5
8,607,756 B1 * 12/2013 Kulkarni F02M 35/10262
123/184.21
D737,862 S * 9/2015 Finnican D15/5
D802,628 S * 11/2017 Fischetto D15/5
2003/0121508 A1 * 7/2003 Klas F02B 75/22
123/568.17
2006/0254552 A1 * 11/2006 Brachos F02M 35/10078
123/184.46
2007/0175456 A1 * 8/2007 Tally F02B 29/0475
123/559.1
2009/0293831 A1 * 12/2009 Harada F02M 35/10085
123/184.53
2010/0294226 A1 * 11/2010 Gupta F02M 35/10078
123/184.21
2011/0107996 A1 * 5/2011 Menin F02B 31/06
123/184.61
2014/0311142 A1 * 10/2014 Speidel F02B 33/44
60/599
2017/0067424 A1 * 3/2017 Krogdahl F02M 35/116
2017/0204817 A1 * 7/2017 Nola F02M 35/10052
2017/0211527 A1 * 7/2017 Nola F02M 35/10052

OTHER PUBLICATIONS

Engine Labs, "Mercury Racing Courting Crate-Engine Market with 1,650 Horsepower," web article, pp. 2-4, posted on Nov. 30, 2013, website accessible at <http://www.engine-labs.com/news/mercury-racing-courting-crate-engine-market-with-1650-horsepower/>, last visited Feb. 9, 2017.

* cited by examiner

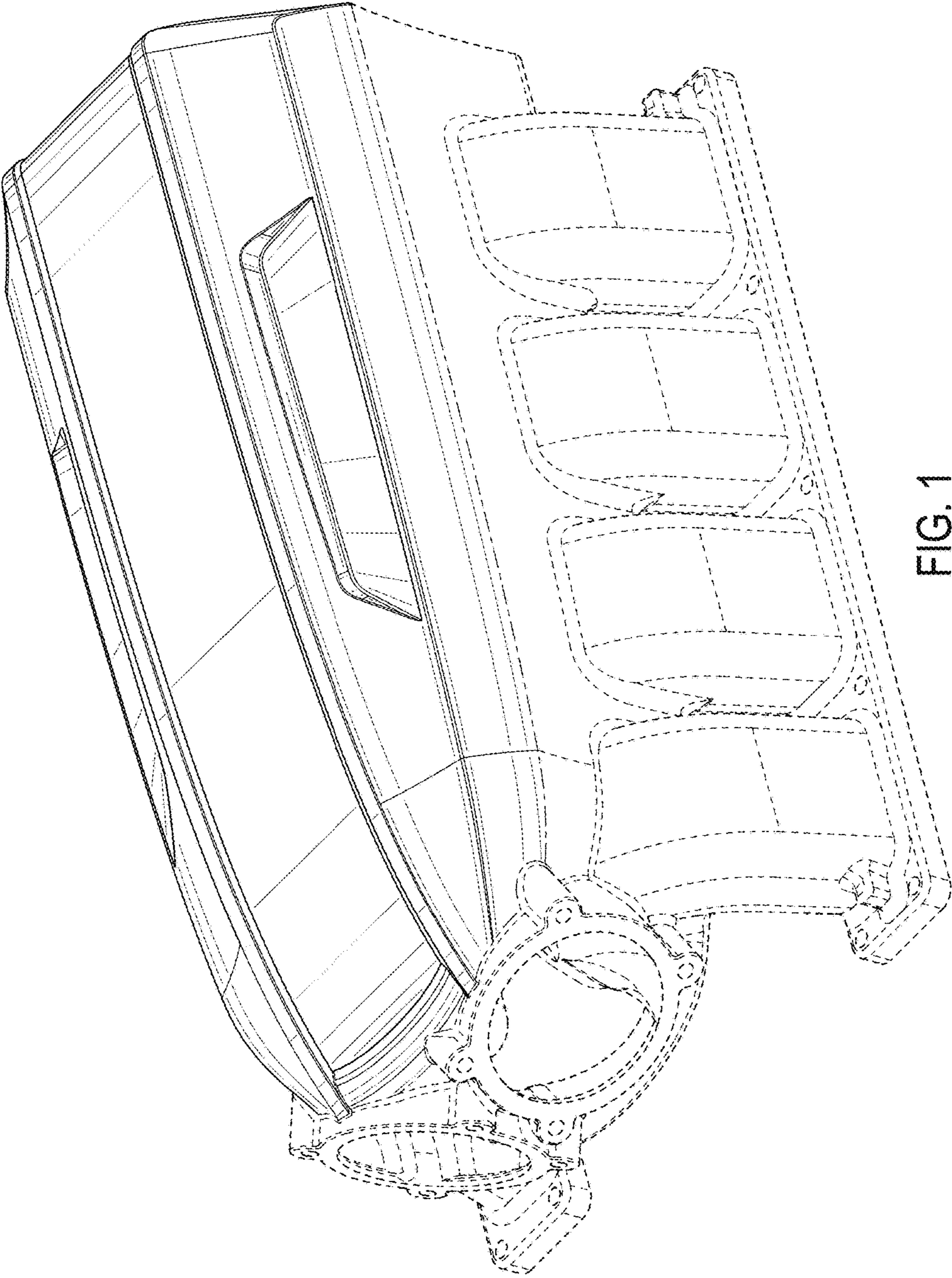


FIG. 1

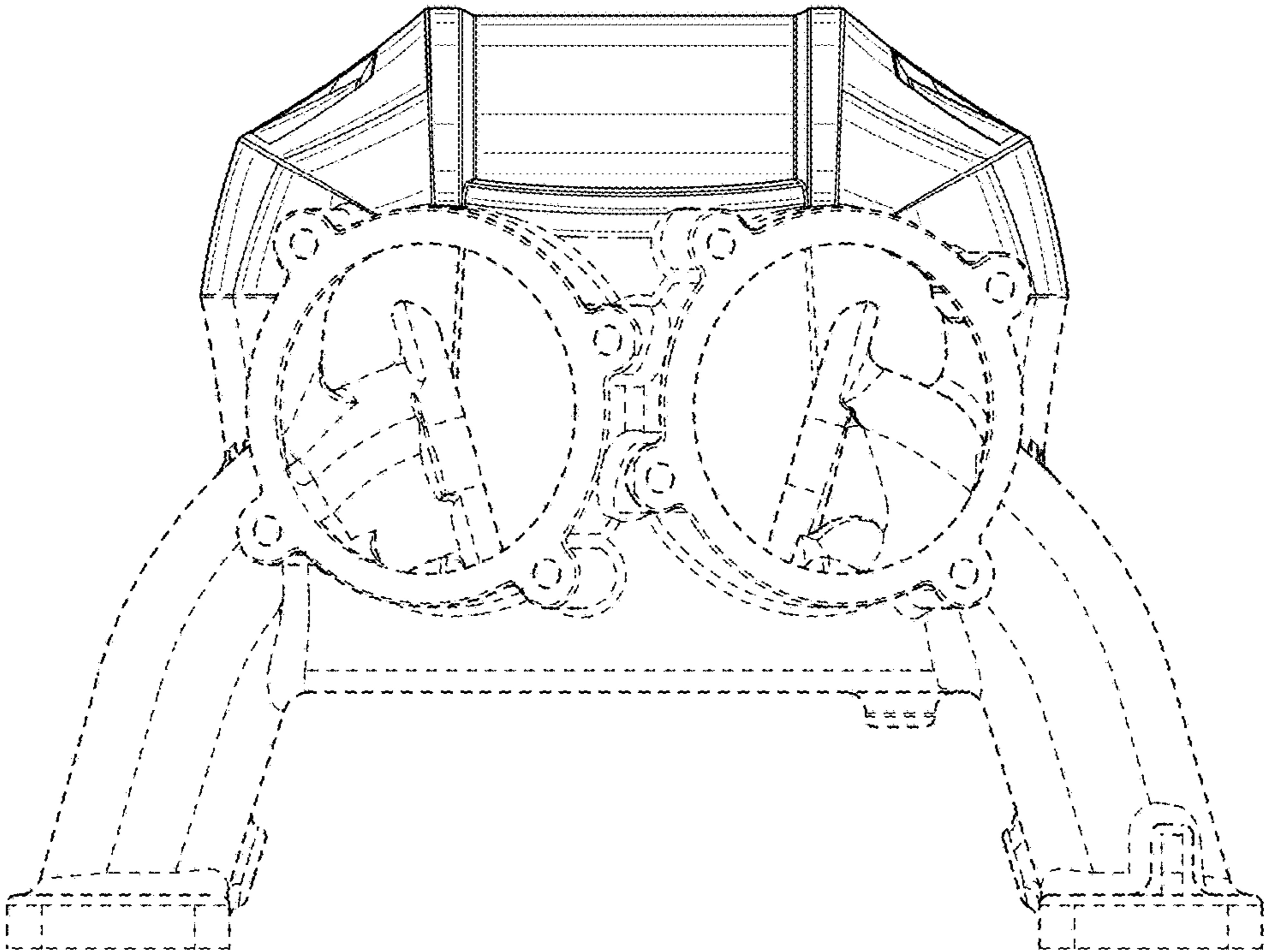


FIG. 2

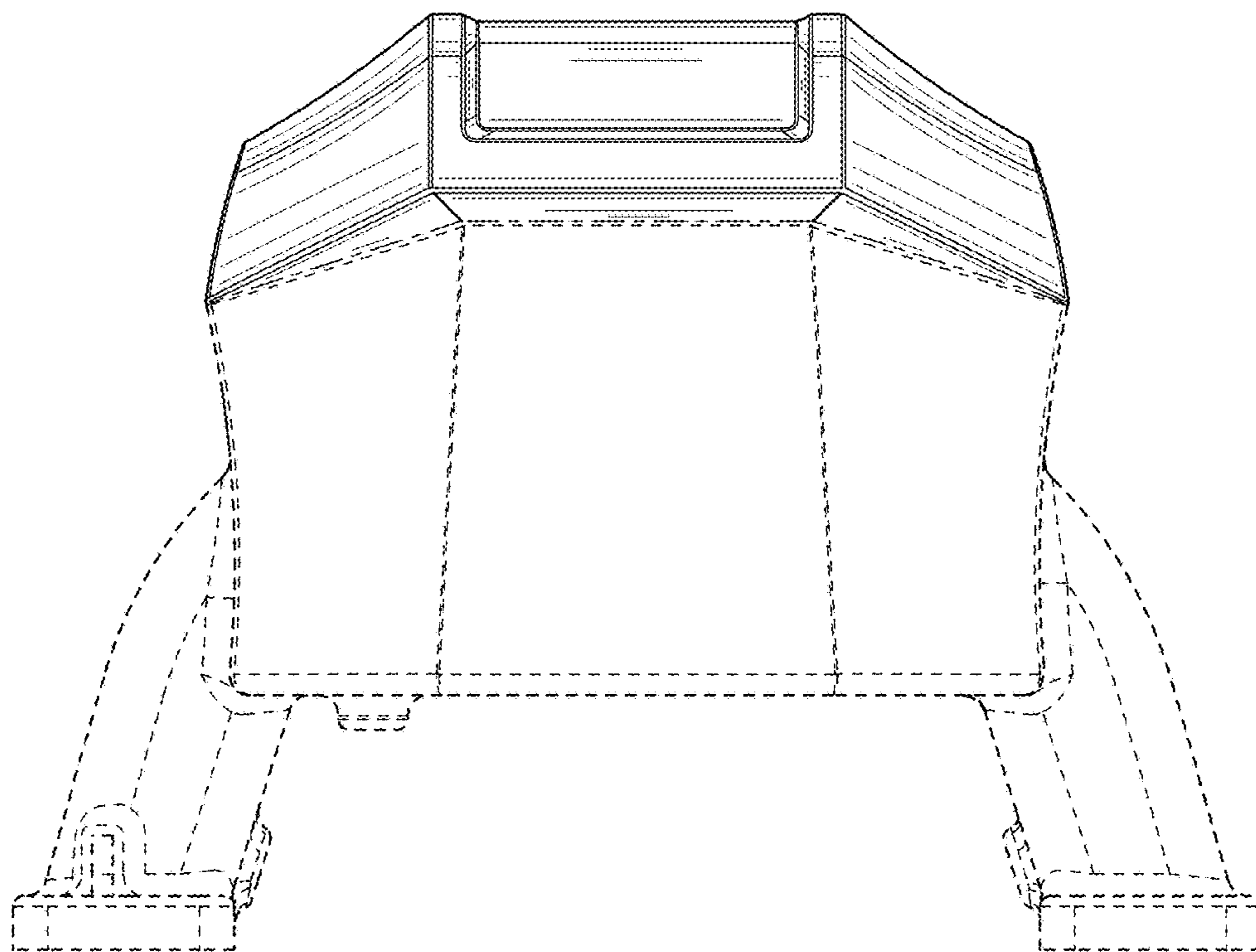


FIG. 3

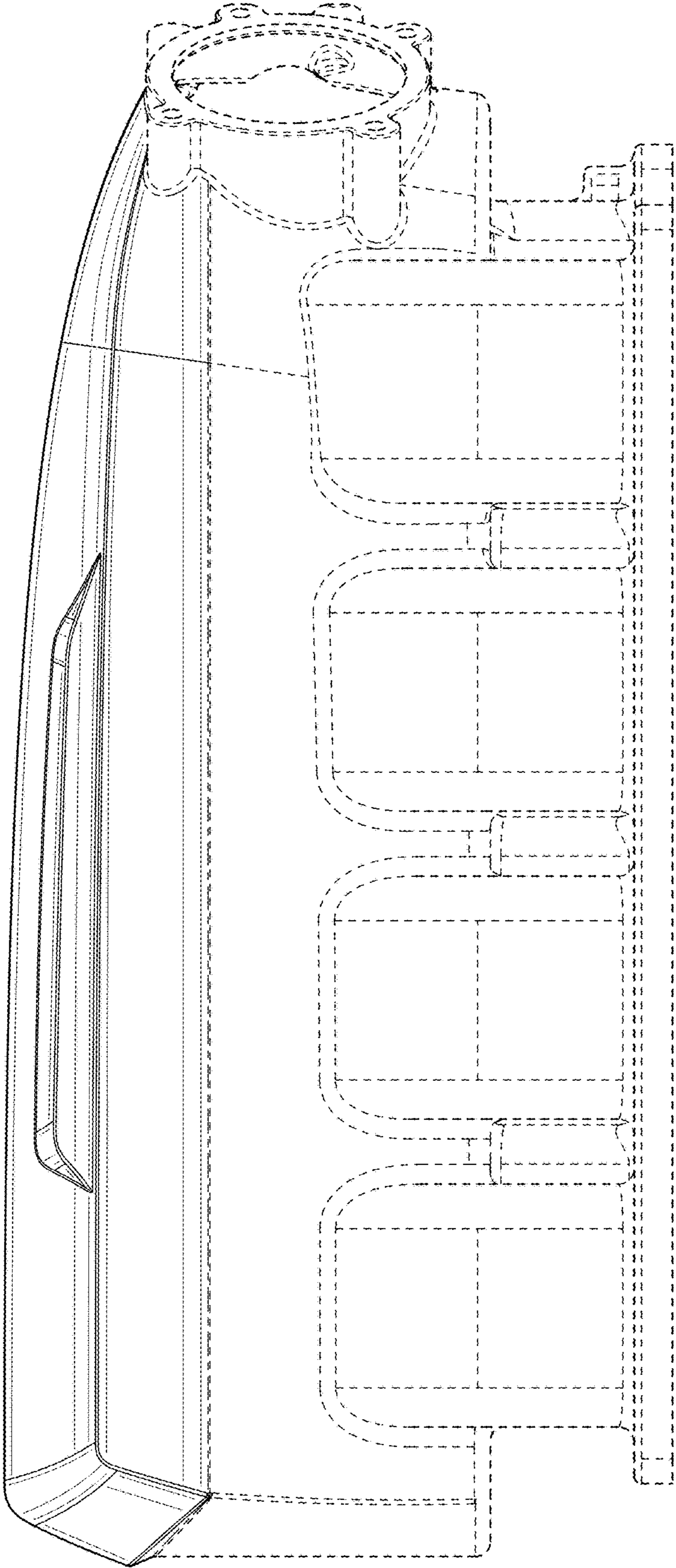


FIG. 4

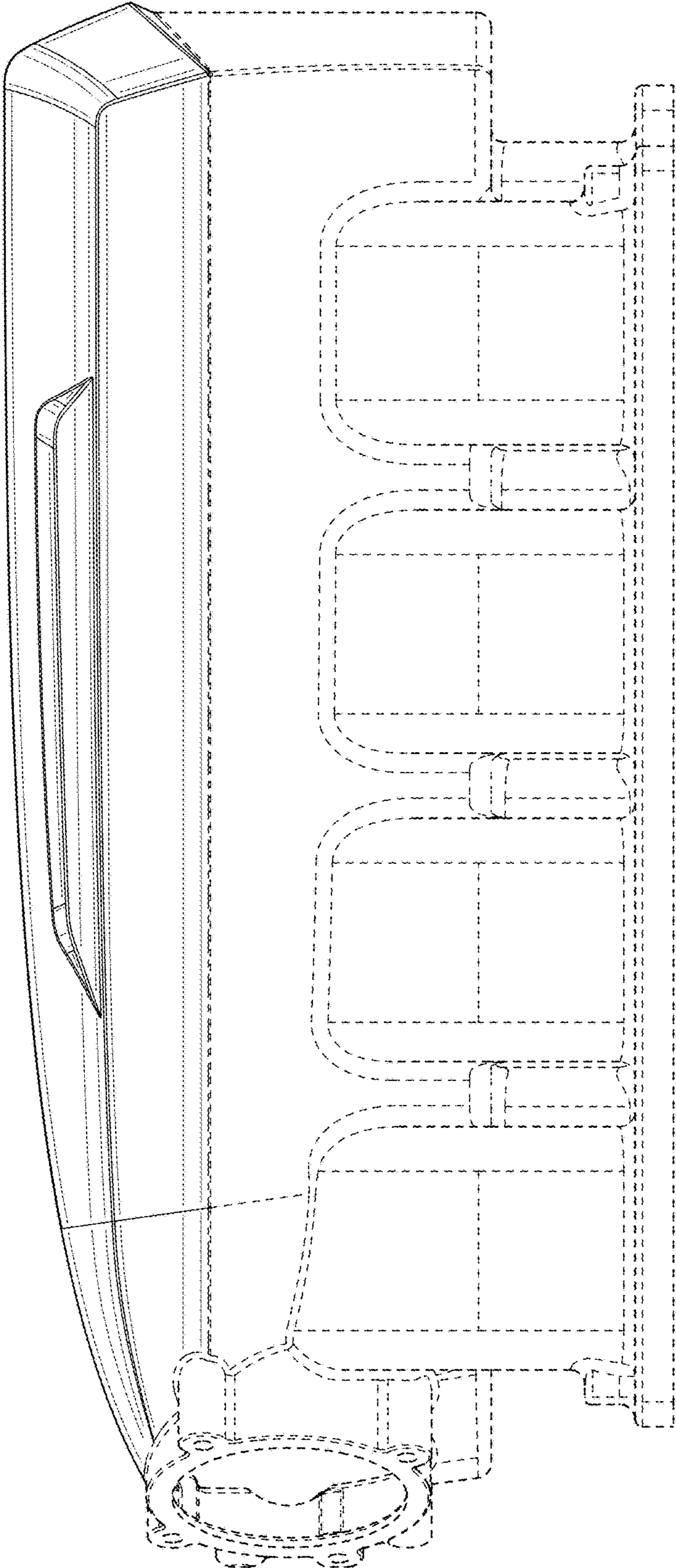


FIG. 5

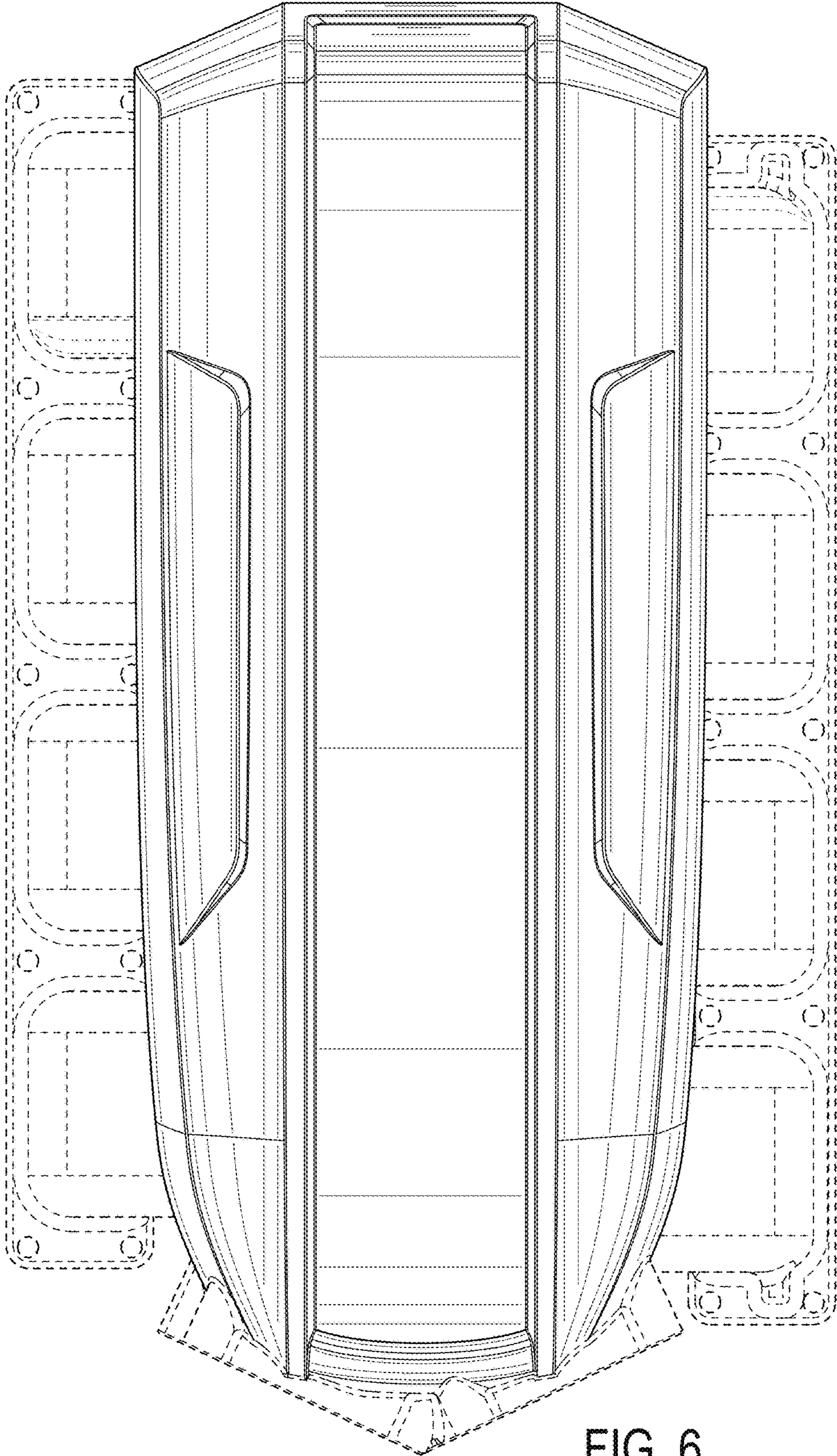


FIG. 6

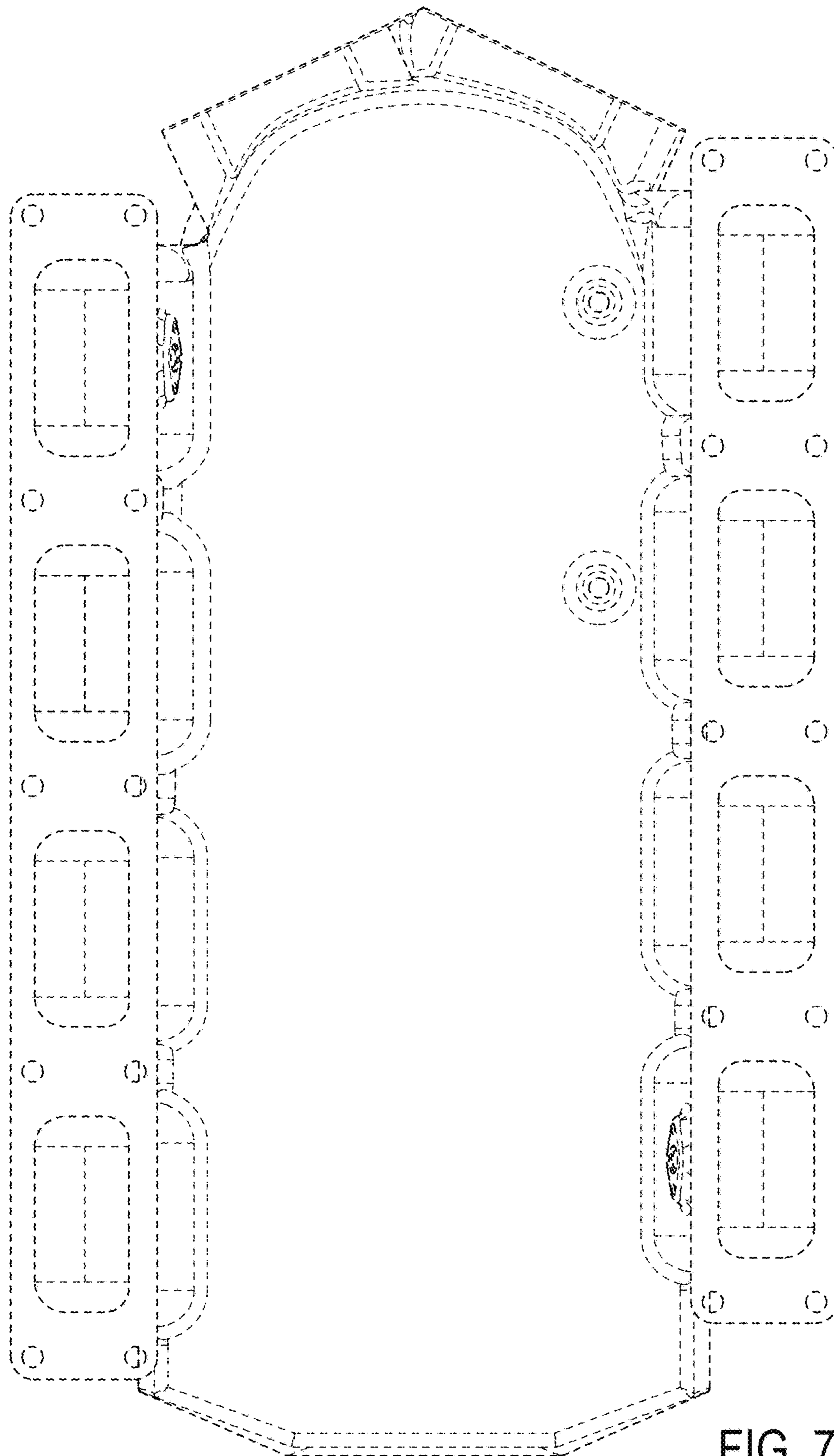


FIG. 7

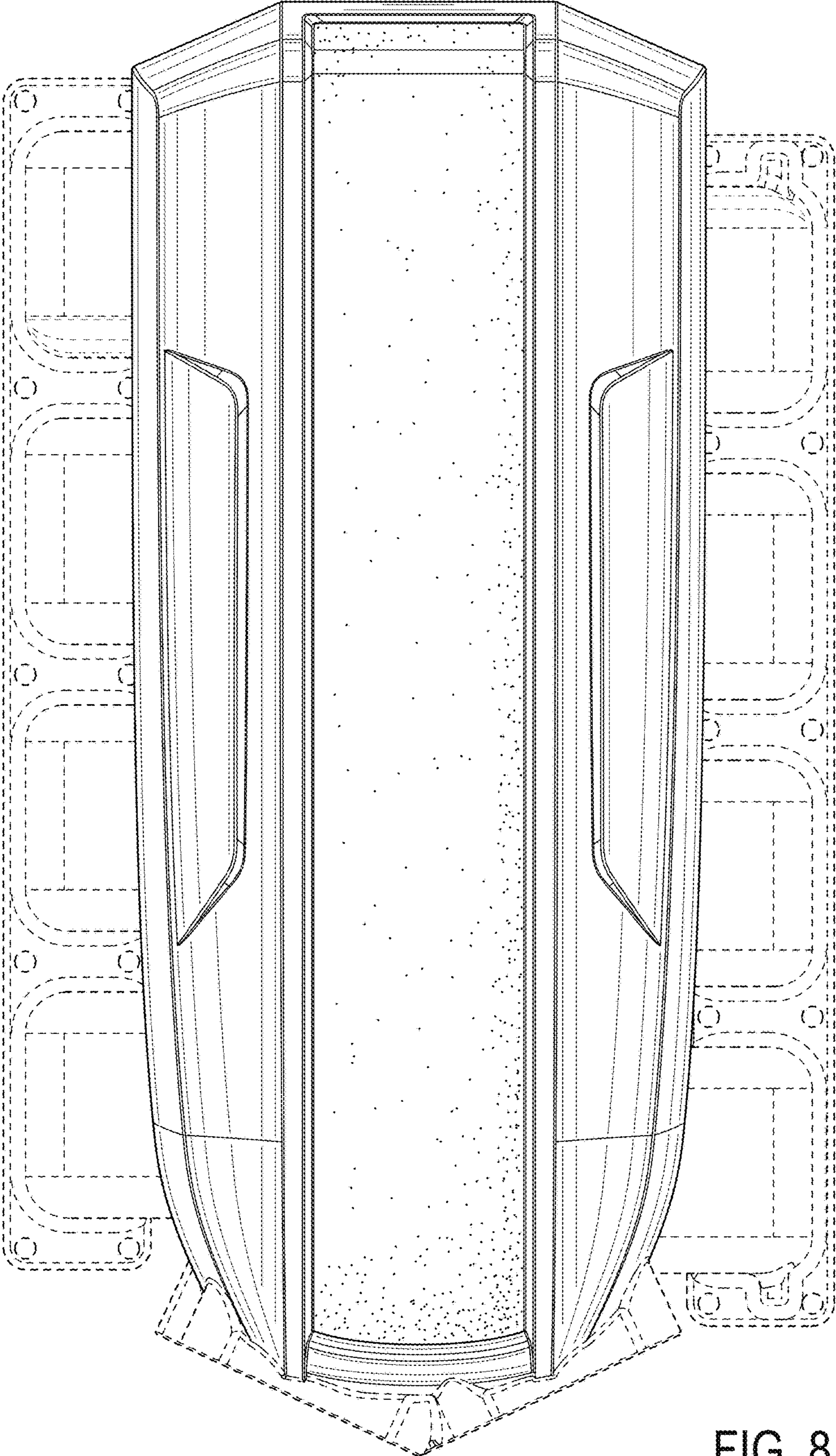


FIG. 8

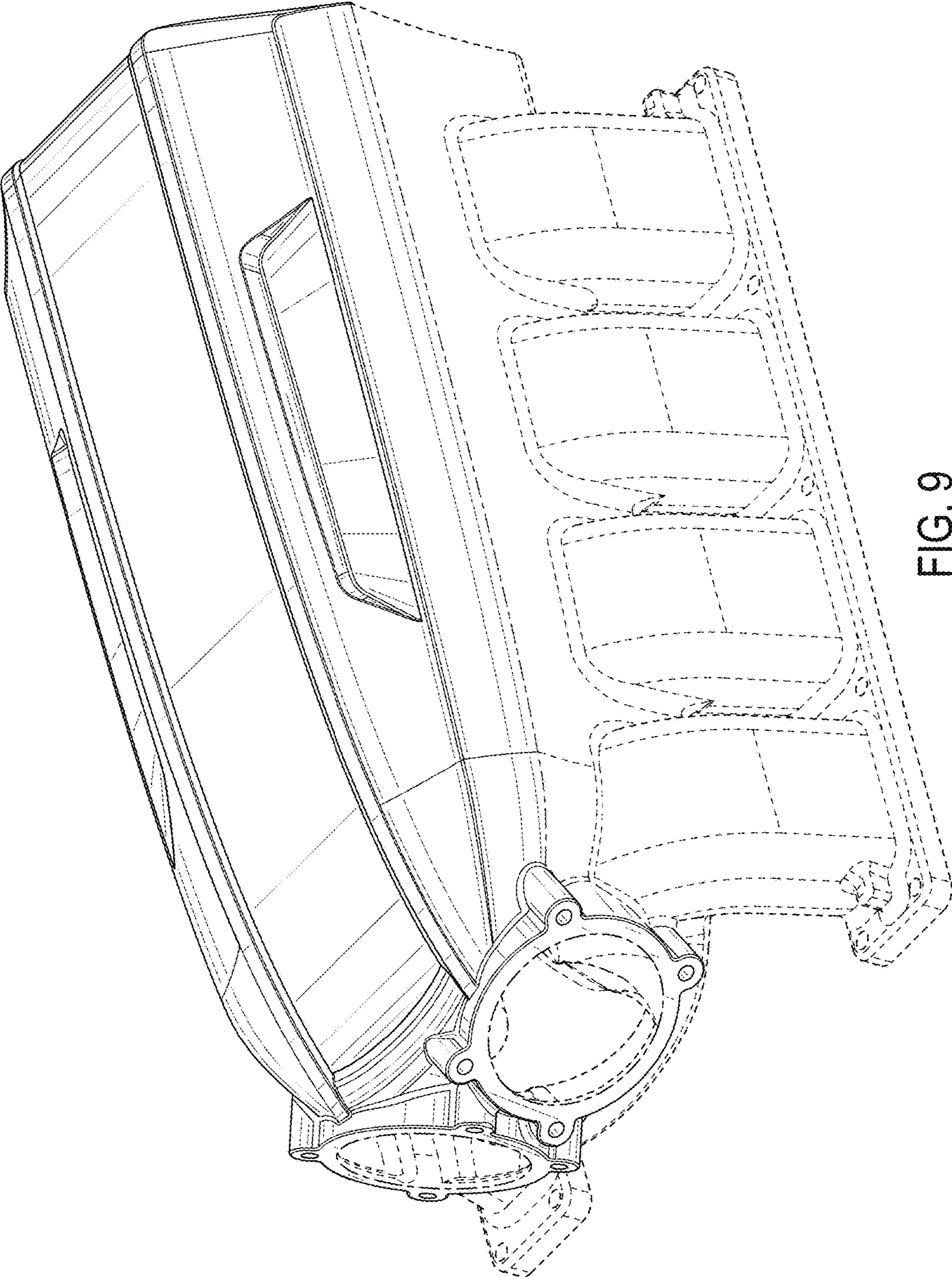


FIG. 9

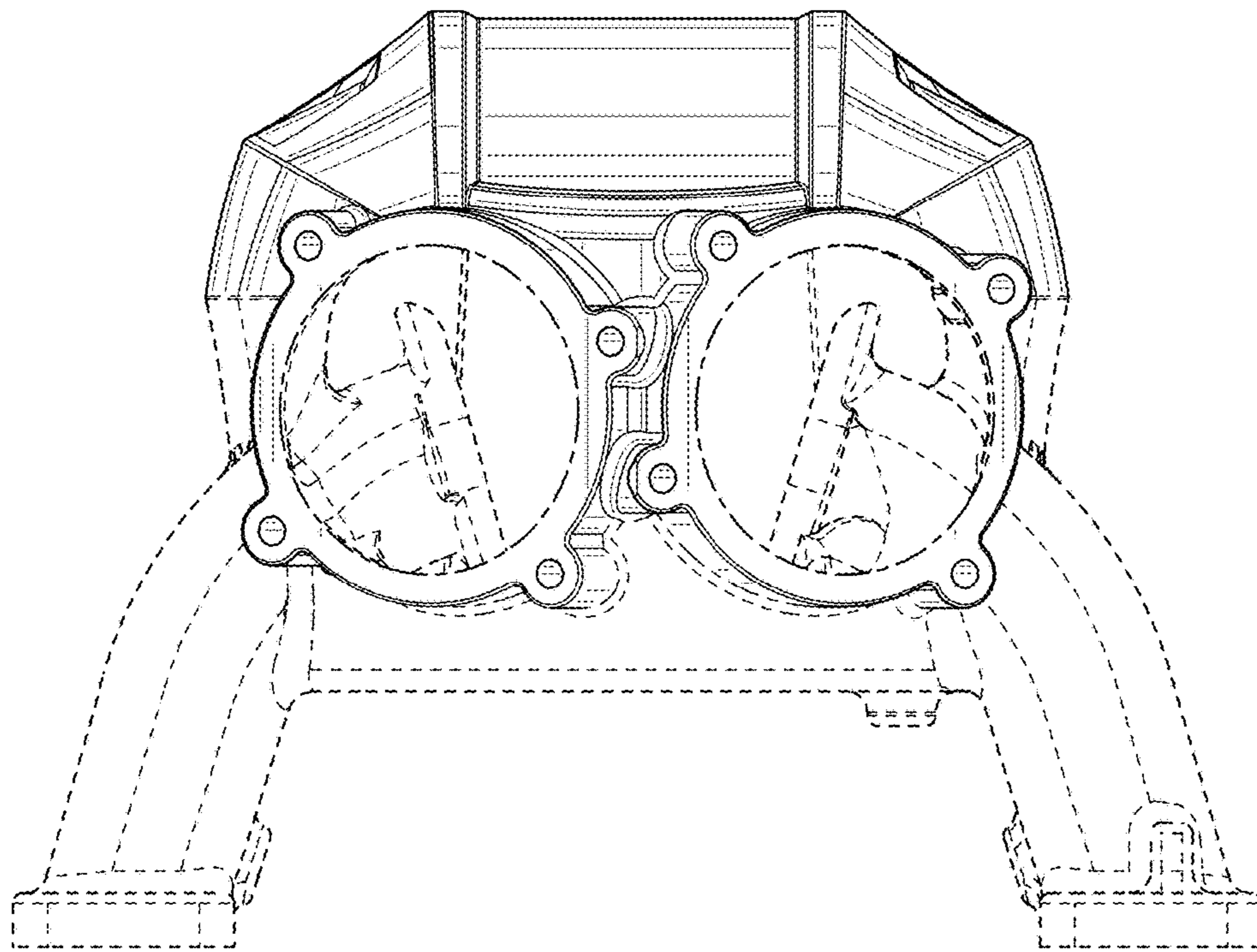


FIG. 10

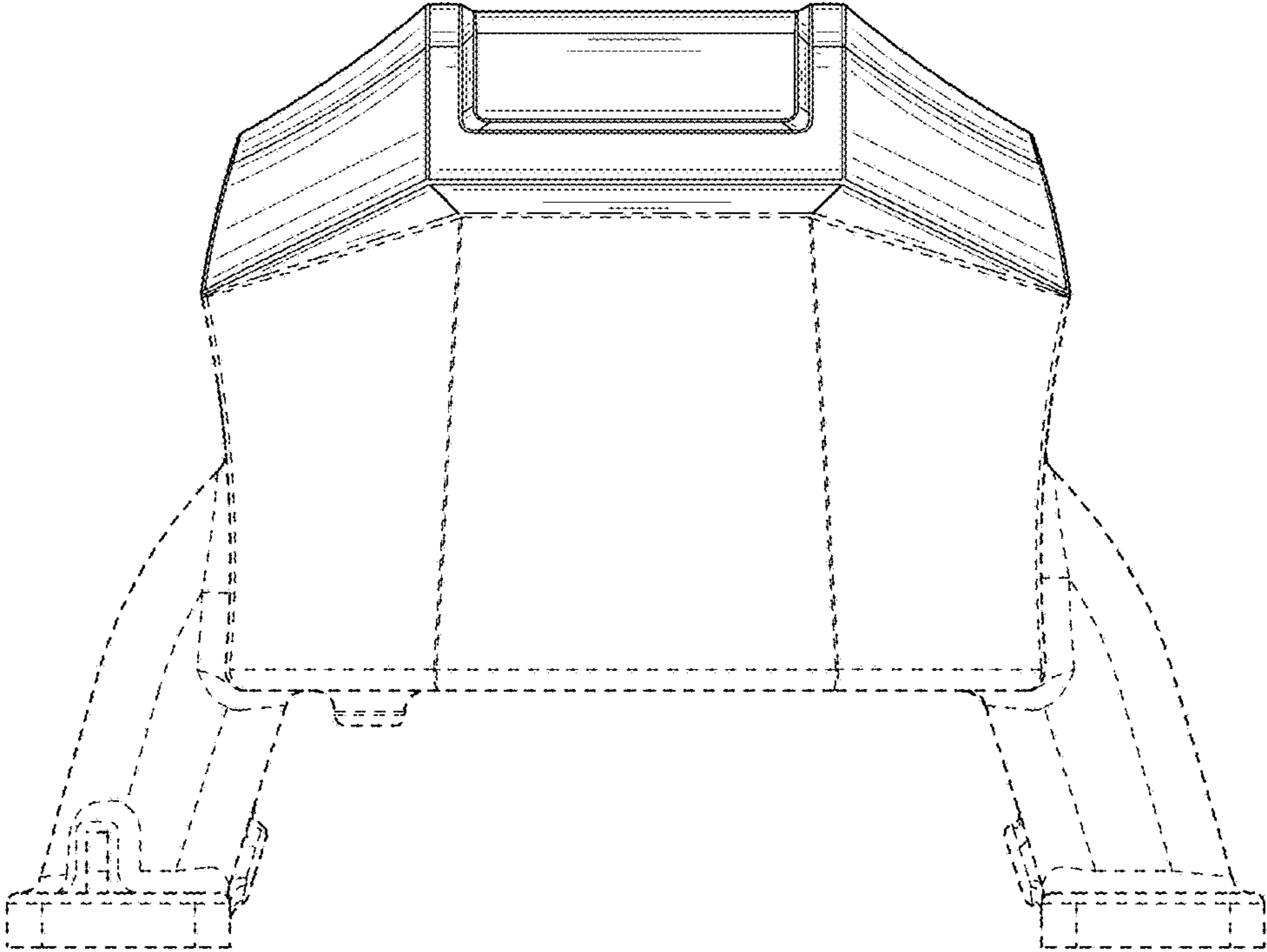


FIG. 11

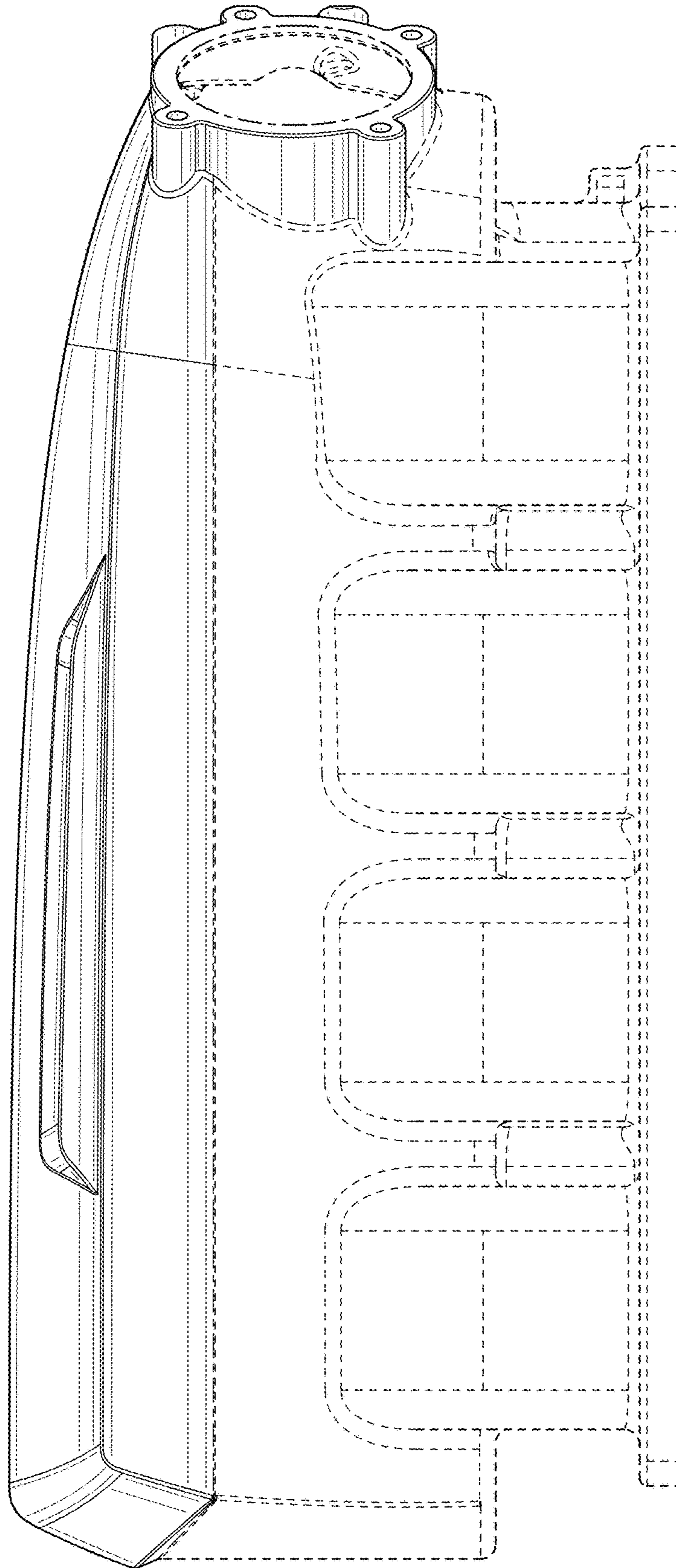


FIG. 12

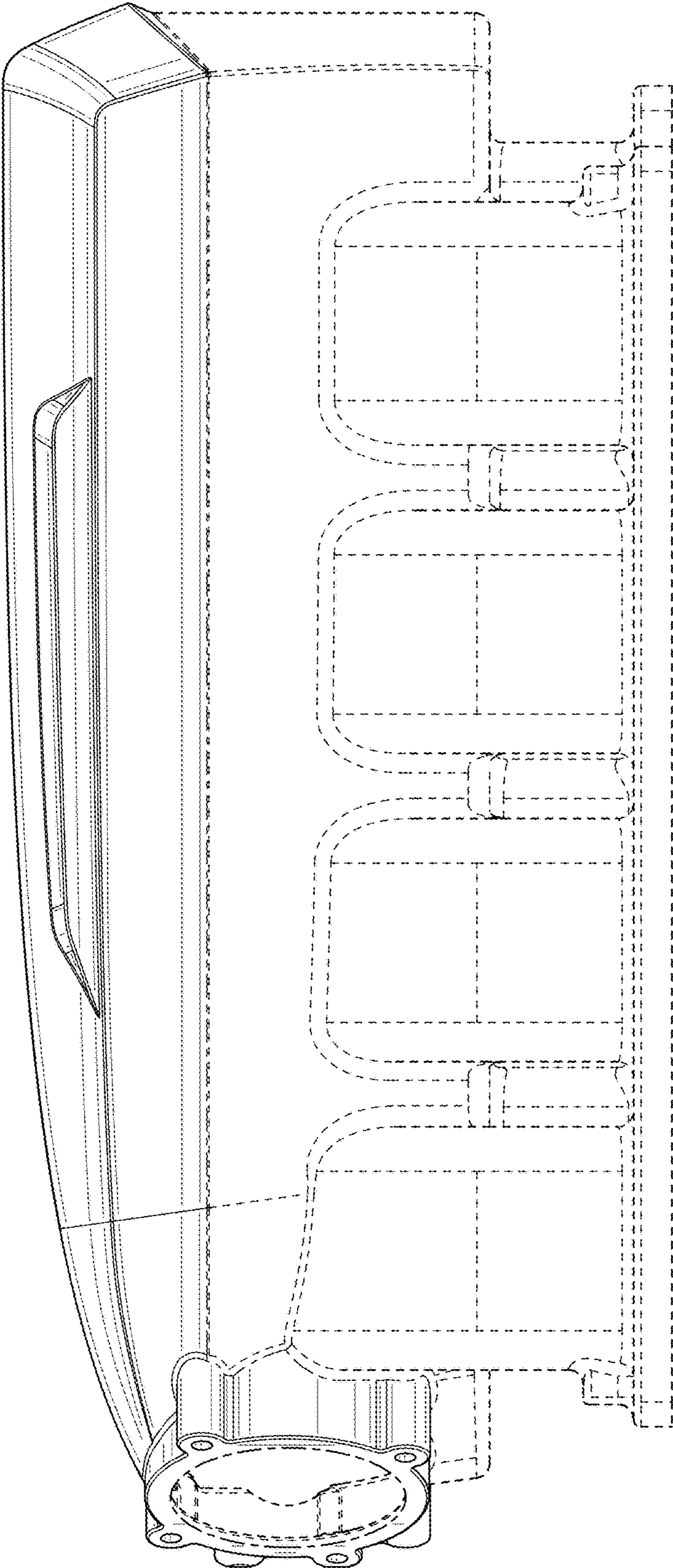


FIG. 13

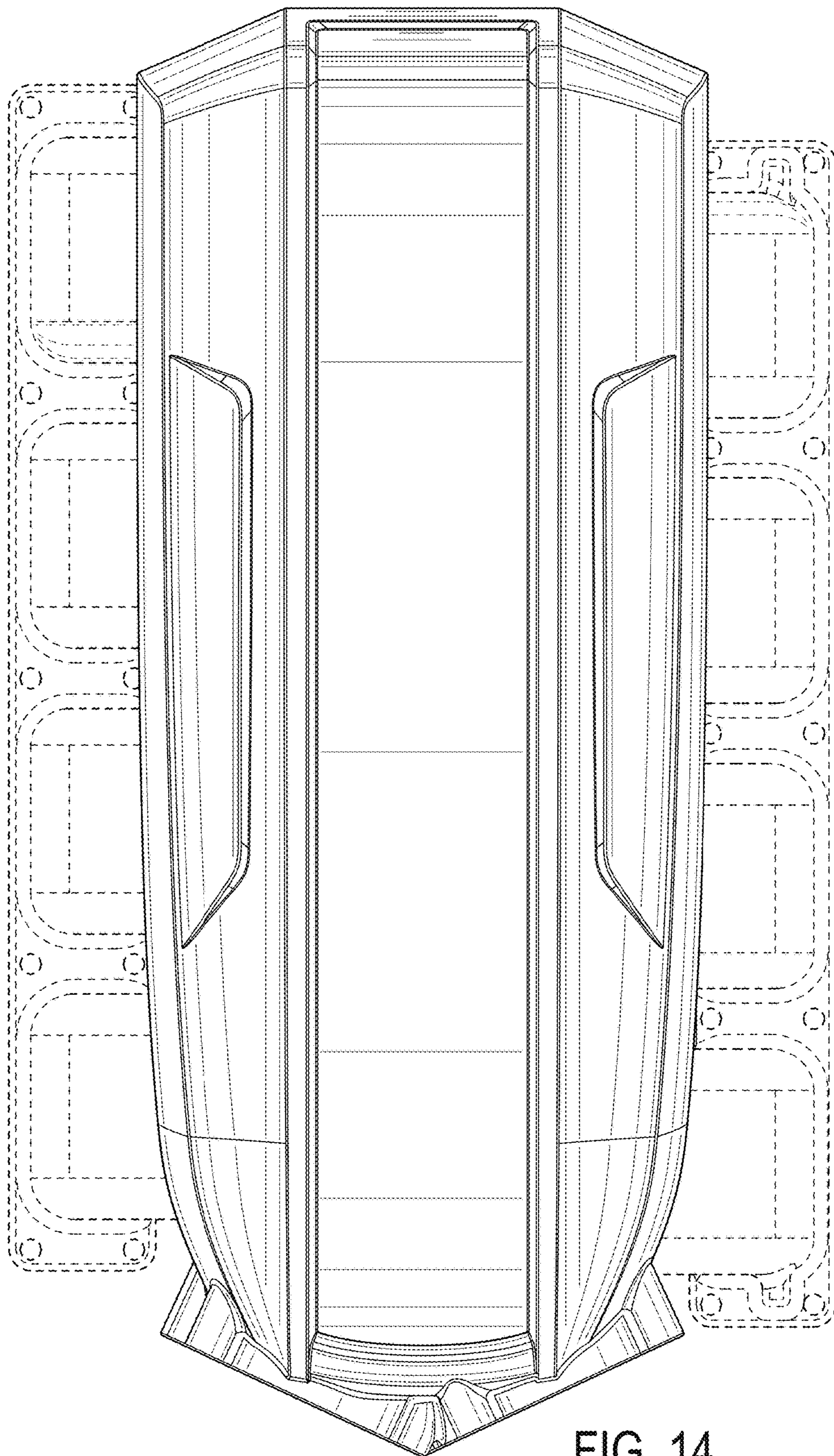


FIG. 14

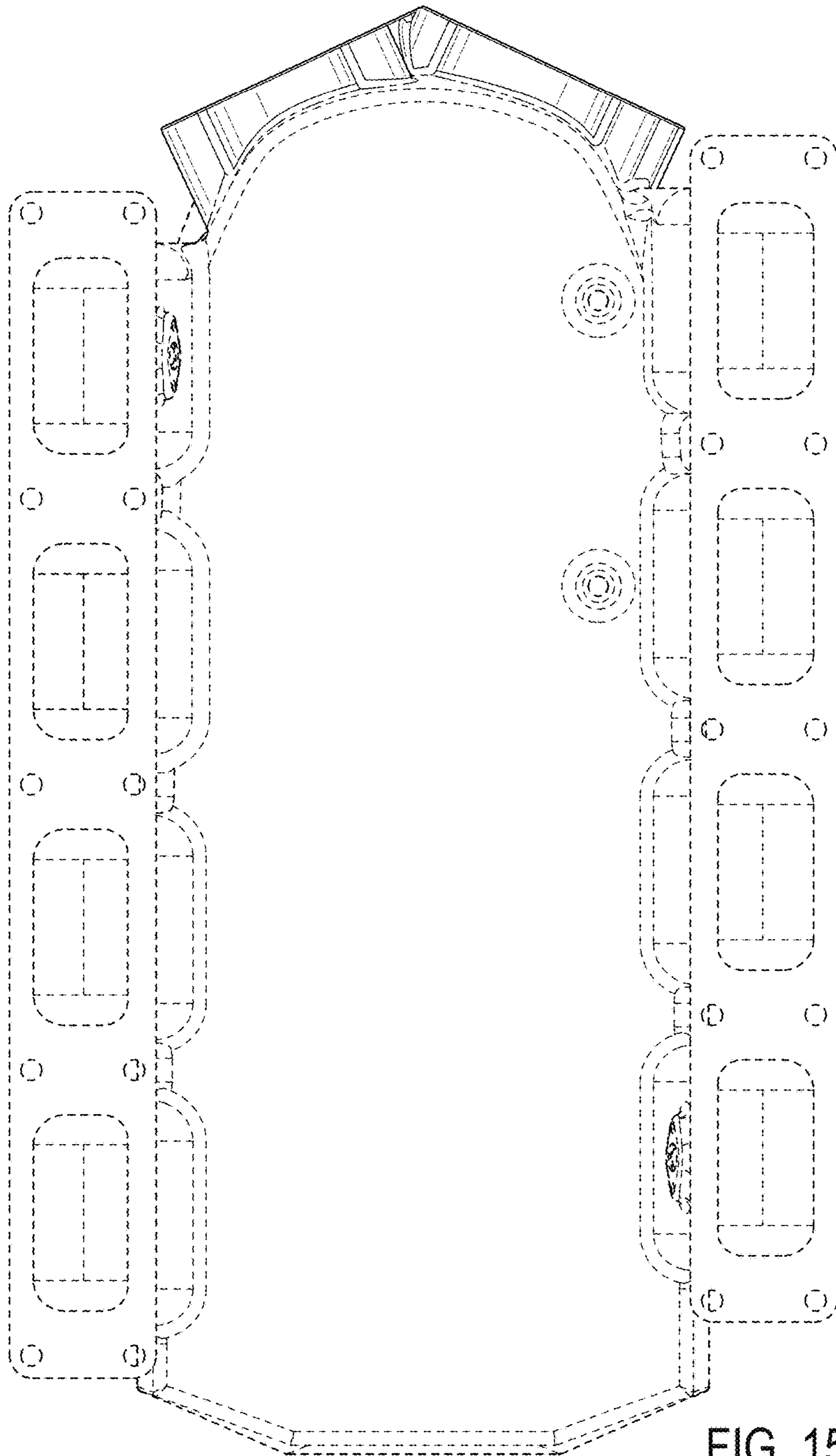


FIG. 15

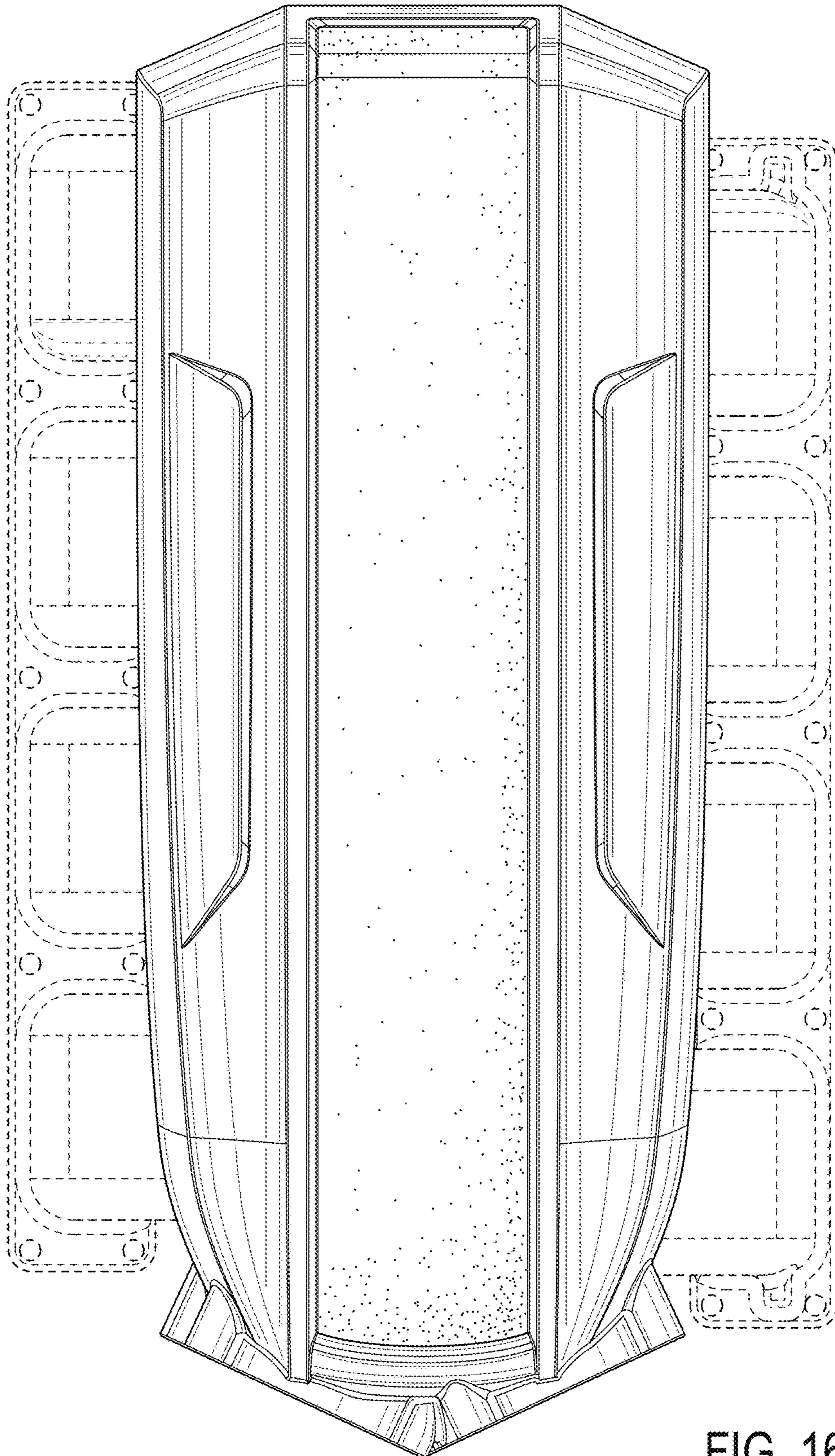


FIG. 16