

US00D814522S

(12) **United States Design Patent**
Turuvekere Gurudatt et al.

(10) **Patent No.:** **US D814,522 S**
(45) **Date of Patent:** **** Apr. 3, 2018**

- (54) **TRANSITION SECTION FOR A TURBOCHARGED ENGINE**
- (71) Applicant: **General Electric Company**,
Schenectady, NY (US)
- (72) Inventors: **Praveen Turuvekere Gurudatt**,
Bangalore (IN); **Jayesh Jain**, Bangalore
(IN); **Andrew Theogift Jeyanth**
Selwyn Victor, Bangalore (IN)
- (73) Assignee: **General Electric Company**,
Schenectady, NY (US)
- (**) Term: **15 Years**
- (21) Appl. No.: **29/568,787**
- (22) Filed: **Jun. 21, 2016**
- (51) **LOC (11) Cl.** **15-01**
- (52) **U.S. Cl.**
USPC **D15/5**
- (58) **Field of Classification Search**
USPC D15/5; D23/233-250
CPC F02B 37/002; F02B 37/00; F02B 37/007;
F01D 25/24; F01D 9/065; F01D 9/023;
F01D 9/048; F01D 9/06; F01D 25/26;
F02C 6/12; F23R 3/002; F23R 3/60;
F05D 2220/31; F05D 2220/51; F05D
2220/61; F05D 2240/14
See application file for complete search history.

5,619,854 A 4/1997 Ramsden et al.
6,226,978 B1 * 5/2001 Chandra C23C 28/325
60/805
6,568,902 B2 * 5/2003 Aschenbruck F01D 9/023
415/116

(Continued)

FOREIGN PATENT DOCUMENTS

EP 2846027 A1 3/2015
Primary Examiner — T. Chase Nelson
Assistant Examiner — Ania Aman
(74) *Attorney, Agent, or Firm* — GE Global Patent
Operation; John A. Kramer

(57) **CLAIM**

The ornamental design for a transition section for a turbocharged engine, as shown and described.

DESCRIPTION

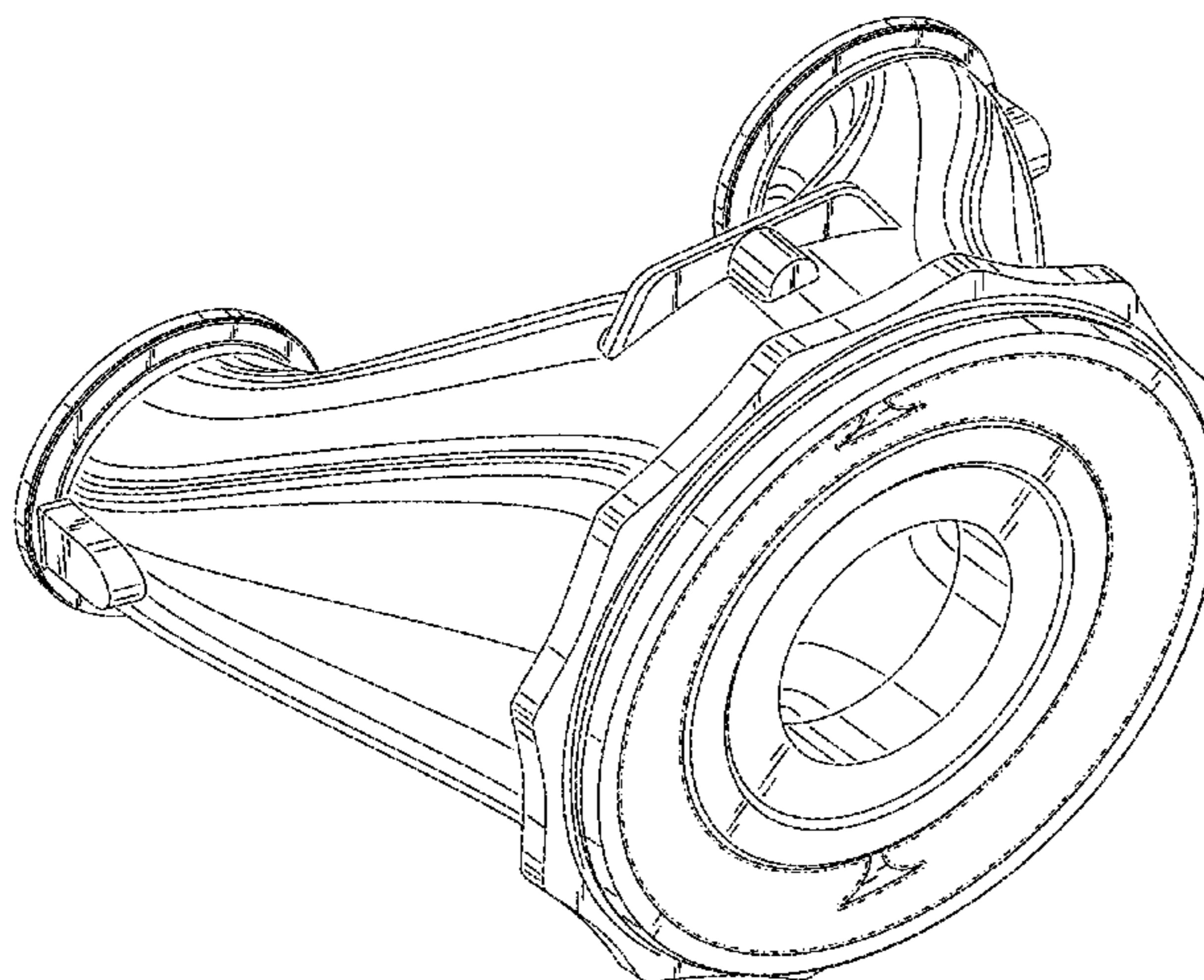
FIG. 1 is a bottom back perspective view of a design for a transition section for a turbocharged engine according to the present disclosure.
FIG. 2 is top back perspective view of the transition section for a turbocharged engine of FIG. 1.
FIG. 3 is a front view of the transition section for a turbocharged engine of FIG. 1.
FIG. 4 is a back view of the transition section for a turbocharged engine of FIG. 1.
FIG. 5 is a left side view of the transition section for a turbocharged engine of FIG. 1.
FIG. 6 is a right side view of the transition section for a turbocharged engine of FIG. 1.
FIG. 7 is a top view of the transition section for a turbocharged engine of FIG. 1; and,
FIG. 8 is bottom view of the transition section for a turbocharged engine of FIG. 1.
The transition section may be in an engine exhaust system. The dash-dot-dash lines shown by FIGS. 1, 2, 7, and 8 define the bounds of the claimed design and form no part thereof.

(56) **References Cited**

U.S. PATENT DOCUMENTS

- 2,526,281 A * 10/1950 Ryan F01D 9/023
138/111
- 4,196,593 A 4/1980 Froeliger
- 4,678,397 A 7/1987 Komatsu et al.
- 4,907,952 A 3/1990 Inoue et al.
- 5,119,633 A 6/1992 Brooks et al.

1 Claim, 8 Drawing Sheets



(56)

References Cited

U.S. PATENT DOCUMENTS

6,802,184	B2	10/2004	Huter et al.	
6,996,992	B2 *	2/2006	Jeske	F01D 9/023 415/116
7,000,634	B2	2/2006	Lindborg	
7,305,827	B2	12/2007	Arnold et al.	
7,779,633	B2	8/2010	Roettger et al.	
7,877,981	B2	2/2011	Newman	
8,959,913	B2	2/2015	Nagurney et al.	
2008/0127492	A1 *	6/2008	Smith	B23K 37/0426 29/888.011
2011/0123315	A1	5/2011	Robinson	
2014/0182290	A1 *	7/2014	Bhide	F01N 13/1816 60/612
2014/0271155	A1 *	9/2014	Smith	F01D 9/065 415/182.1
2016/0076437	A1 *	3/2016	Tiwari	F02B 37/02 60/605.1

* cited by examiner

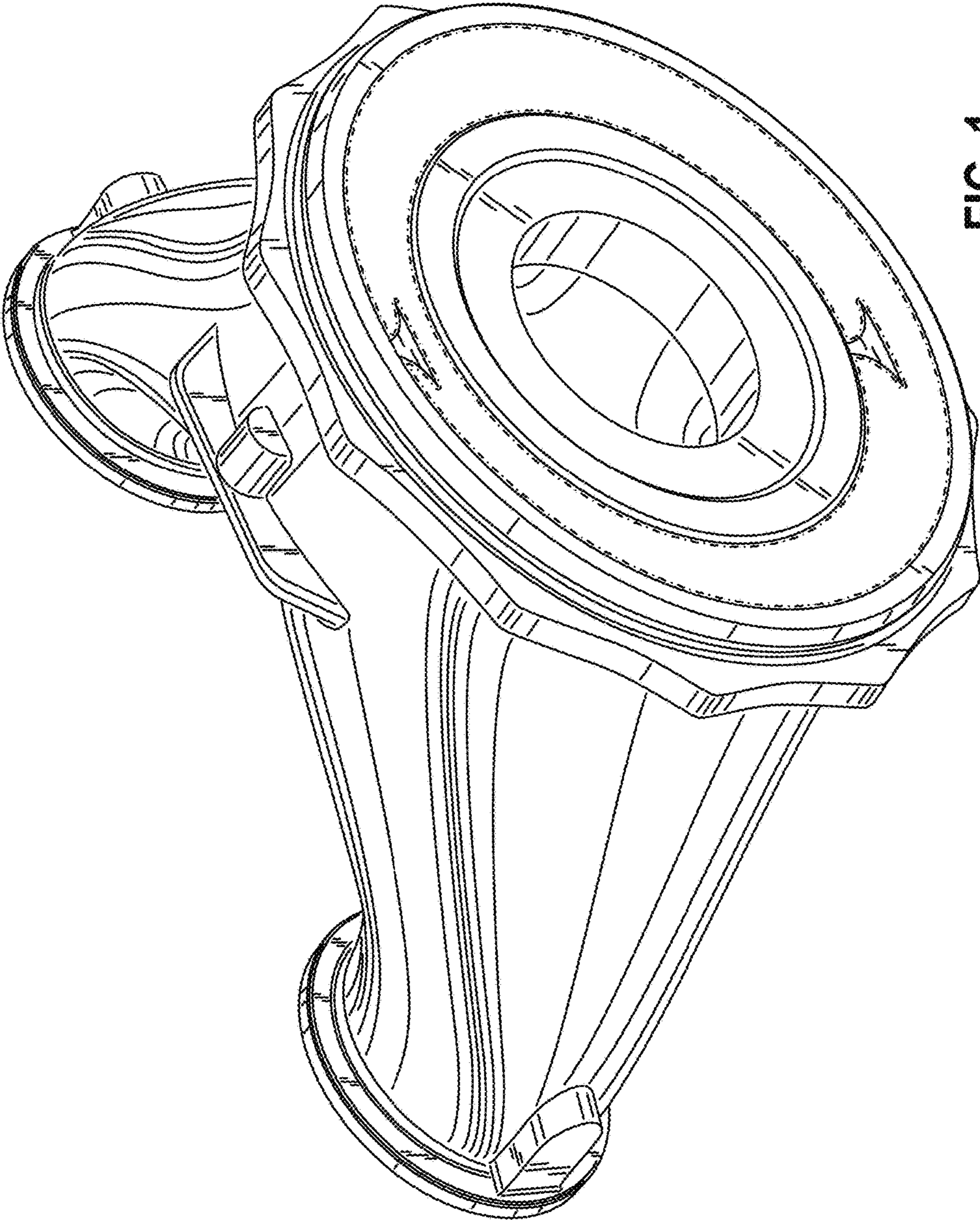


FIG. 1

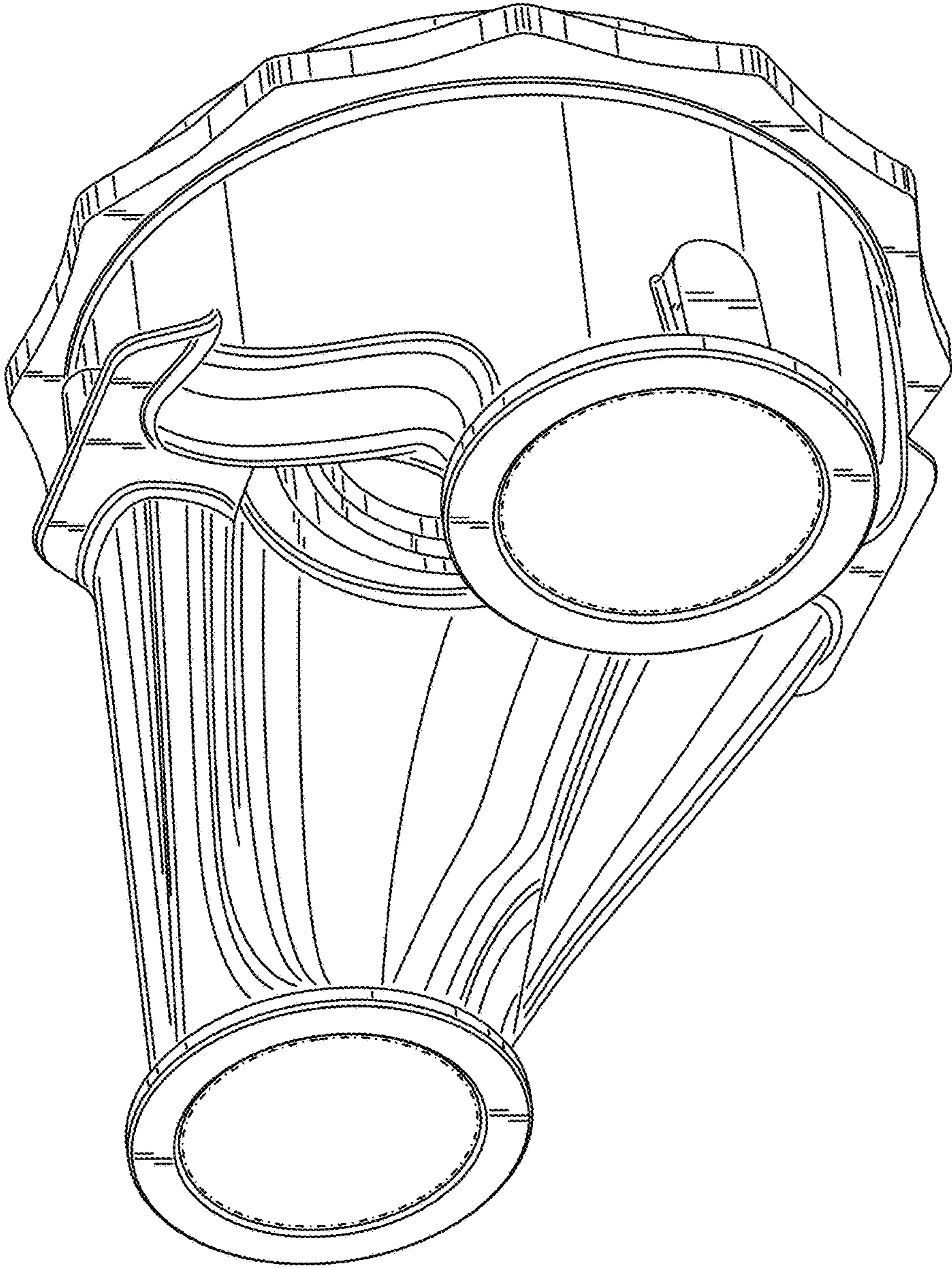


FIG. 2

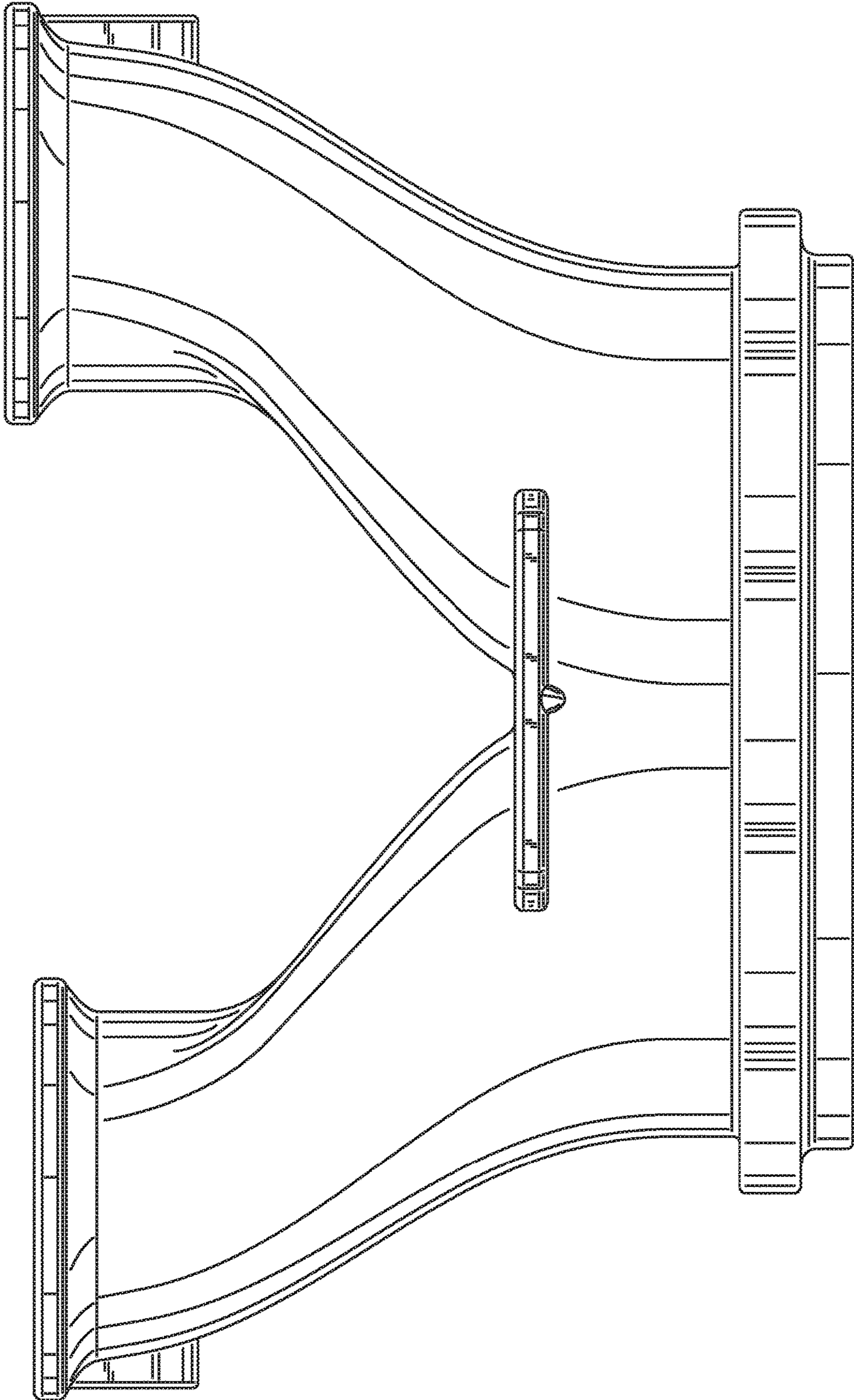


FIG. 3

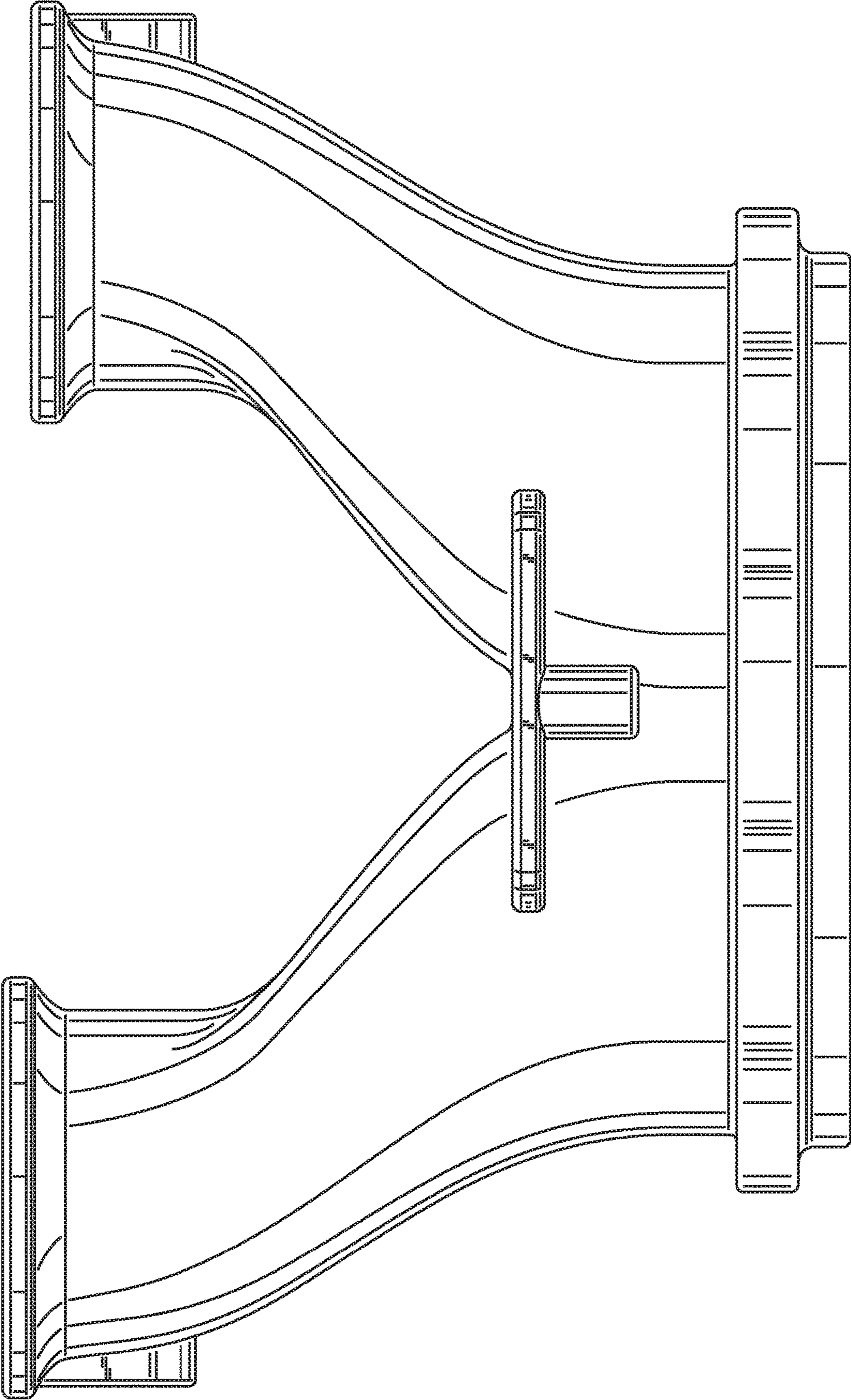


FIG. 4

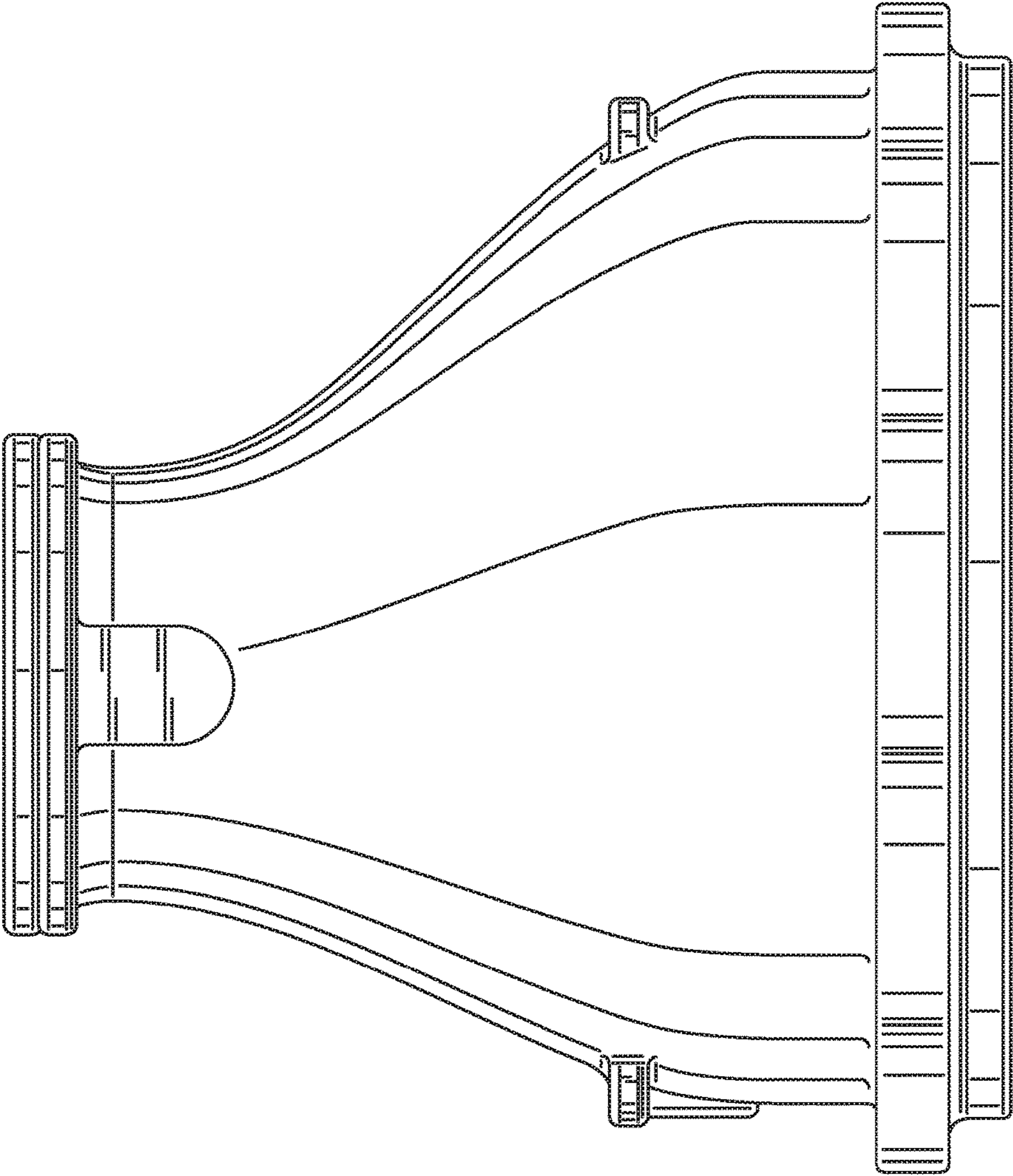


FIG. 5

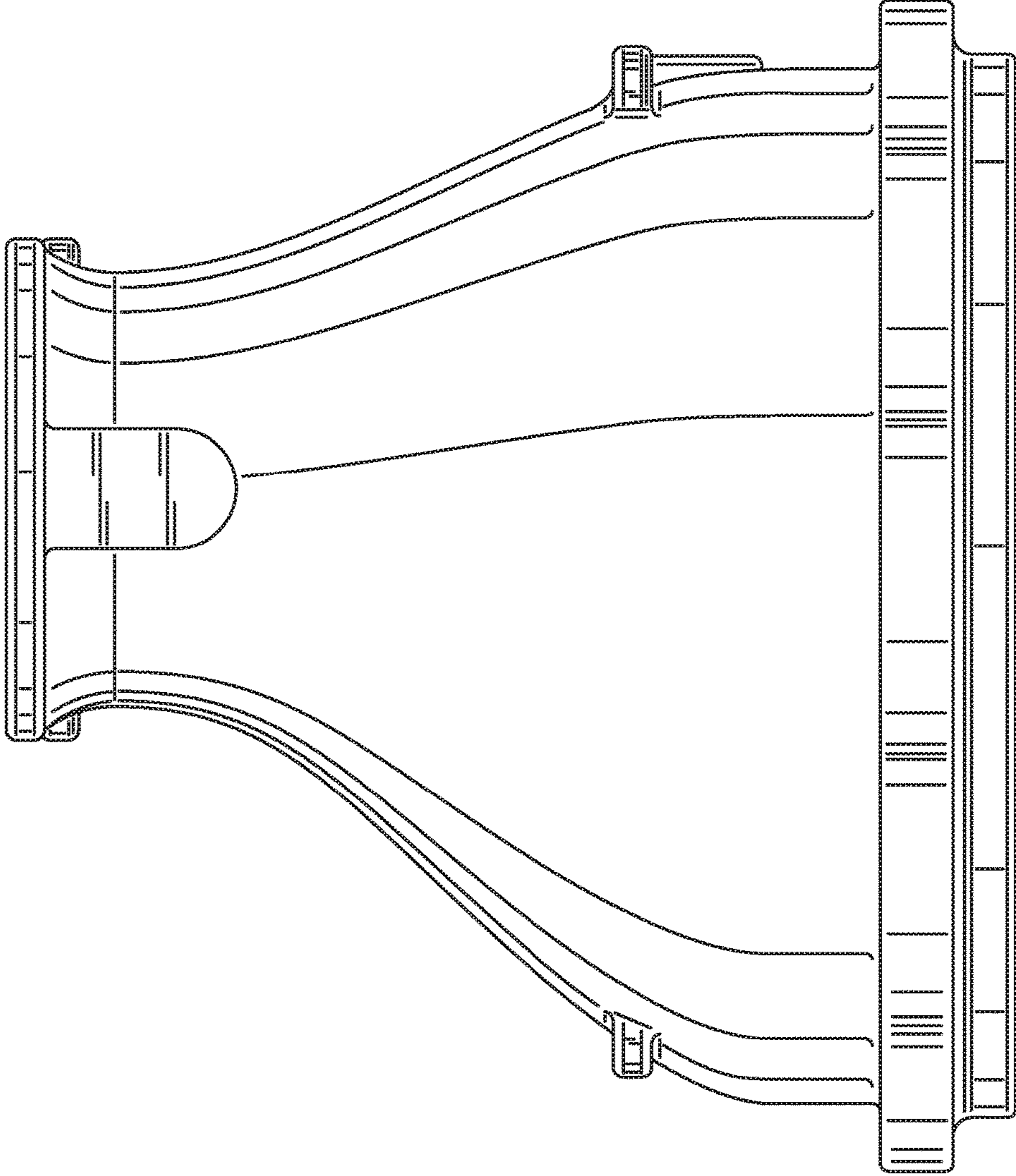


FIG. 6

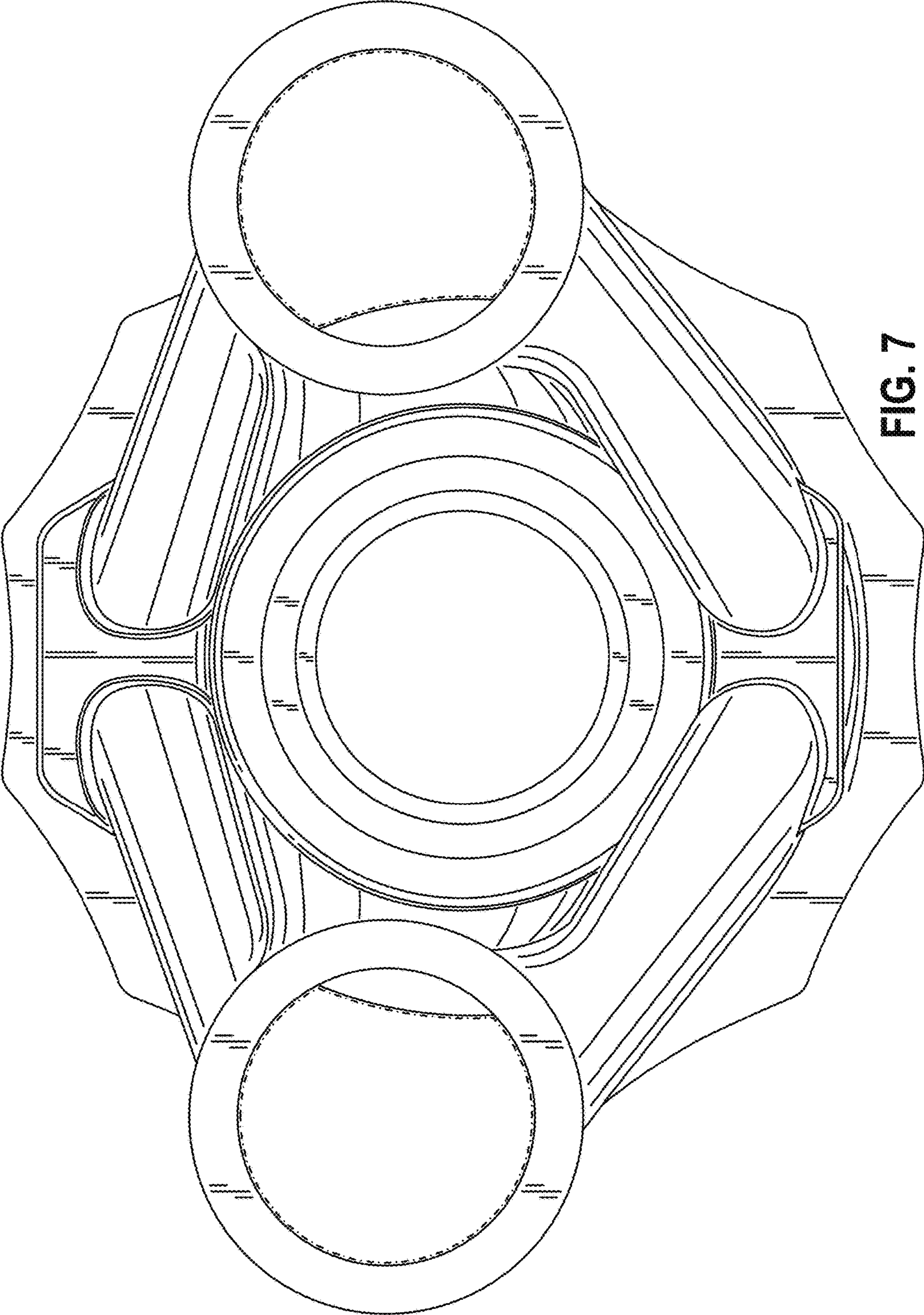


FIG. 7

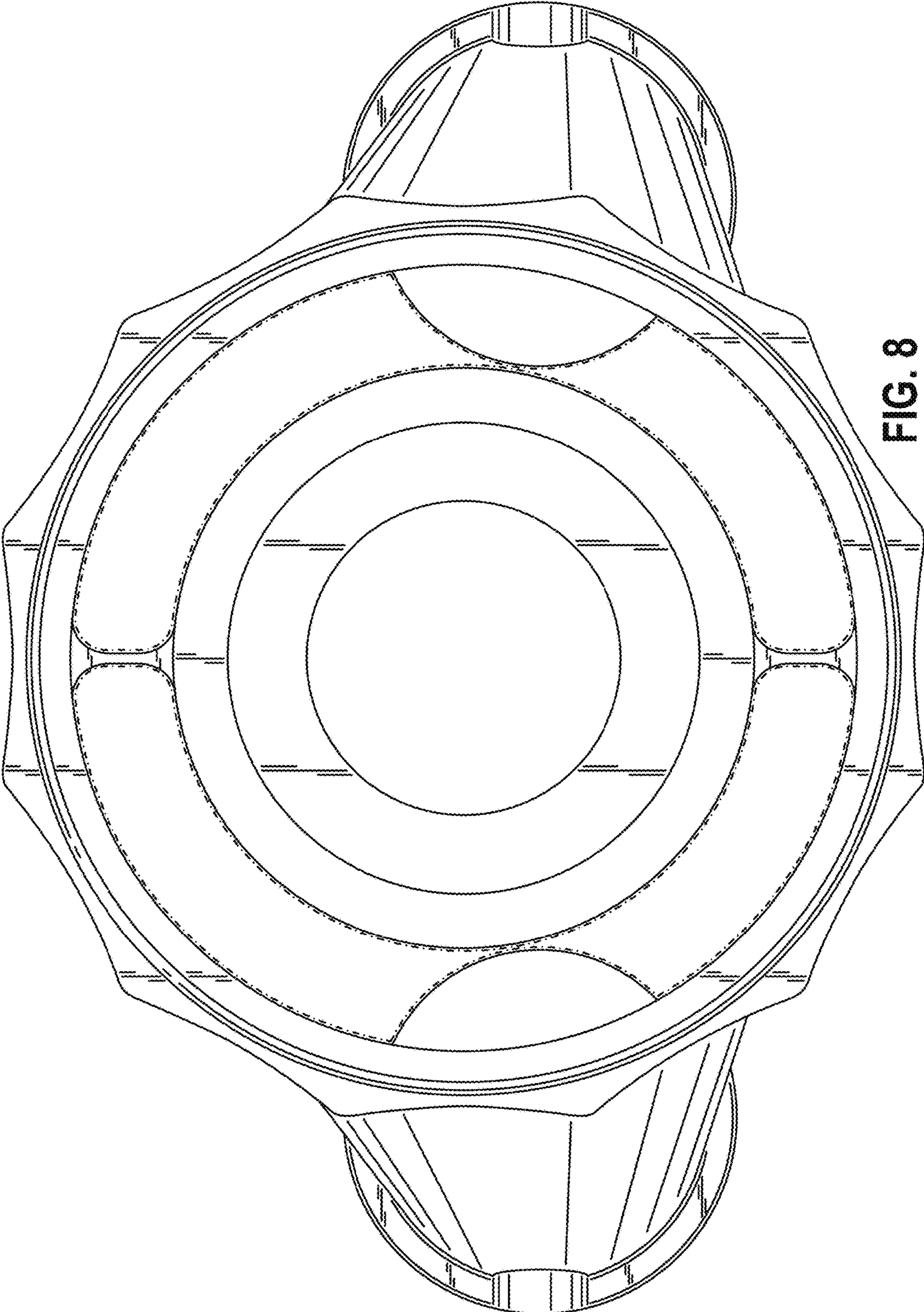


FIG. 8