



US00D814521S

(12) **United States Design Patent**
Hall

(10) **Patent No.:** **US D814,521 S**

(45) **Date of Patent:** **** Apr. 3, 2018**

(54) **ENGINE**

2016/0236757 A1* 8/2016 Davis F21V 23/001

* cited by examiner

(71) Applicant: **HONDA MOTOR CO., LTD.**,
Minato-ku, Tokyo (JP)

Primary Examiner — T. Chase Nelson

(72) Inventor: **Jarad Hall**, Rancho Palos Verdes, CA
(US)

Assistant Examiner — Ania Aman

(74) *Attorney, Agent, or Firm* — Arent Fox LLP

(73) Assignee: **HONDA MOTOR CO., LTD.**, Tokyo
(JP)

(**) Term: **15 Years**

(21) Appl. No.: **29/593,837**

(22) Filed: **Feb. 13, 2017**

(51) **LOC (11) Cl.** **15-01**

(52) **U.S. Cl.**
USPC **D15/4**

(58) **Field of Classification Search**
USPC D15/4, 5
CPC .. B63H 20/32; B63H 2020/323; B63H 23/30;
B63H 23/08; B63H 23/22; B63H 5/14;
B63H 5/15; B63H 21/165; B63H 21/17;
B63H 21/38; B63H 5/125; B63B 35/68
See application file for complete search history.

(56) **References Cited**

U.S. PATENT DOCUMENTS

D611,063 S * 3/2010 Okamoto D15/4
D629,015 S * 12/2010 Iekura D15/4
9,481,438 B1 * 11/2016 Tuchscherer F16H 57/029

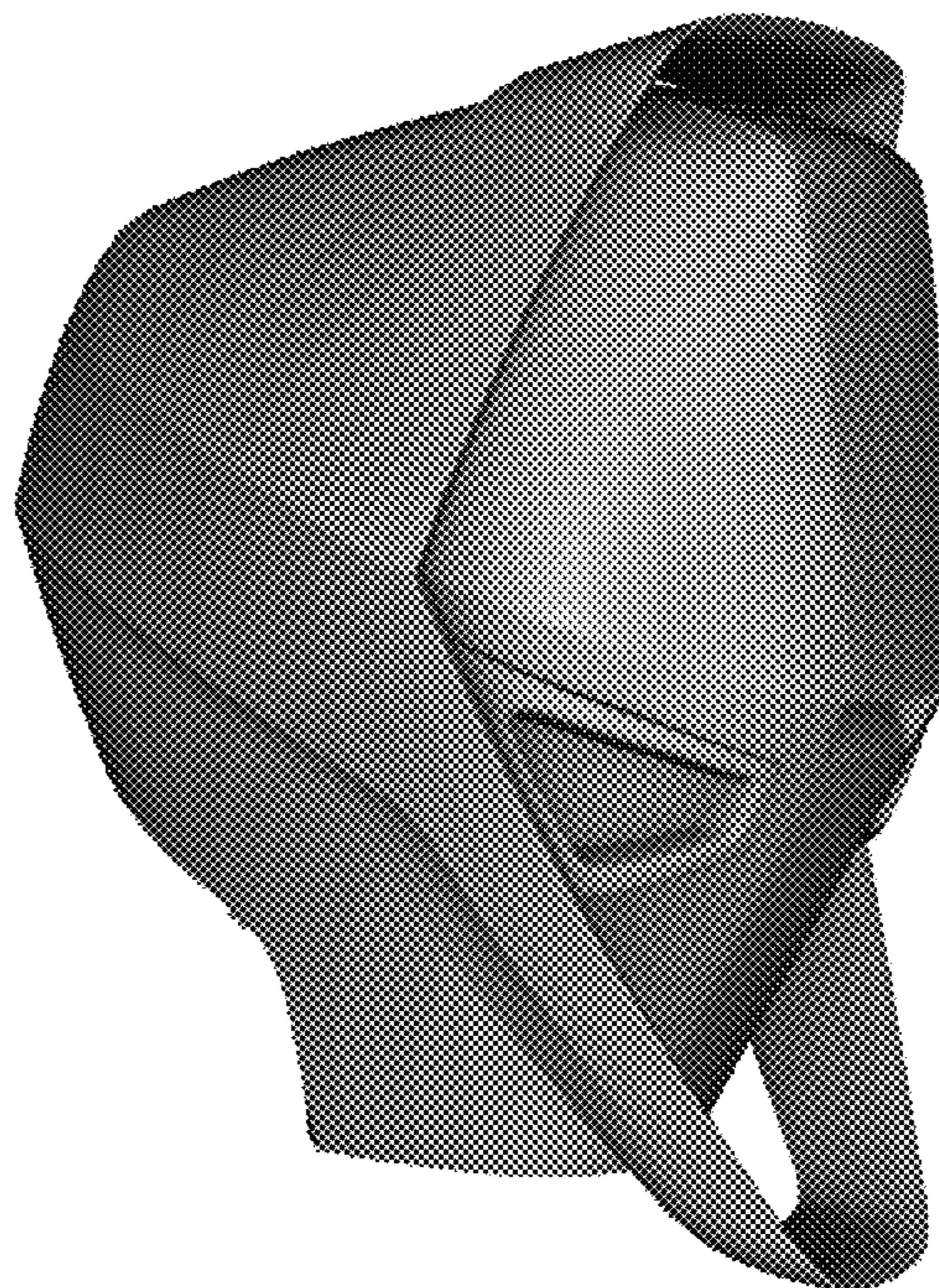
(57) **CLAIM**

The ornamental design for an engine, as shown and described.

DESCRIPTION

FIG. 1 is a rear left perspective view of an engine showing my new design;
FIG. 2 is a rear right perspective view of the design shown in FIG. 1;
FIG. 3 is a front right perspective view of the design shown in FIG. 1;
FIG. 4 is a front left perspective view of the design shown in FIG. 1;
FIG. 5 is a rear view of the design shown in FIG. 1;
FIG. 6 is a right side view of the design shown in FIG. 1, the left side view being mirror image therefore; and,
FIG. 7 is a top side view of the design shown in FIG. 1.

1 Claim, 7 Drawing Sheets



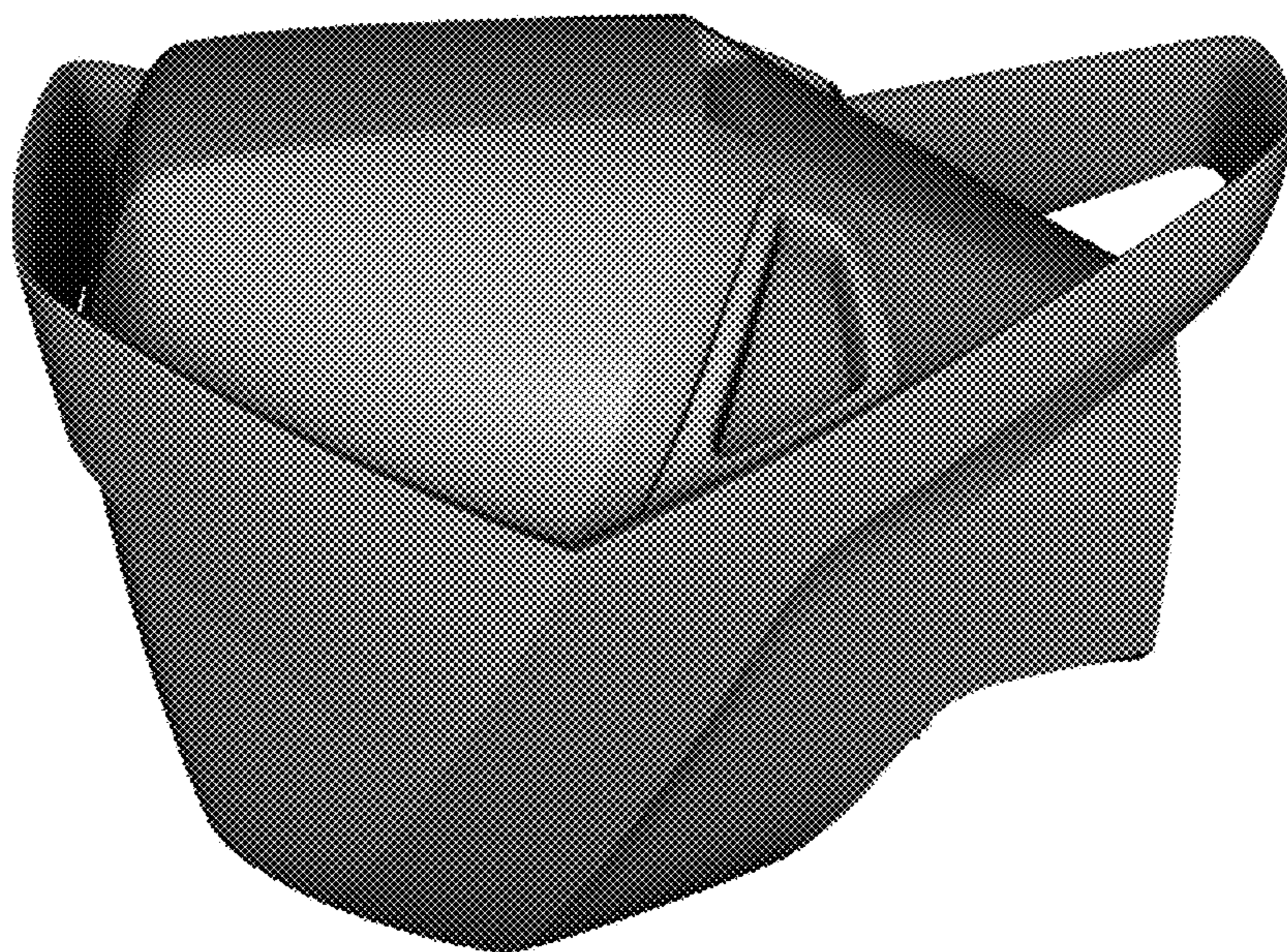


FIG. 1

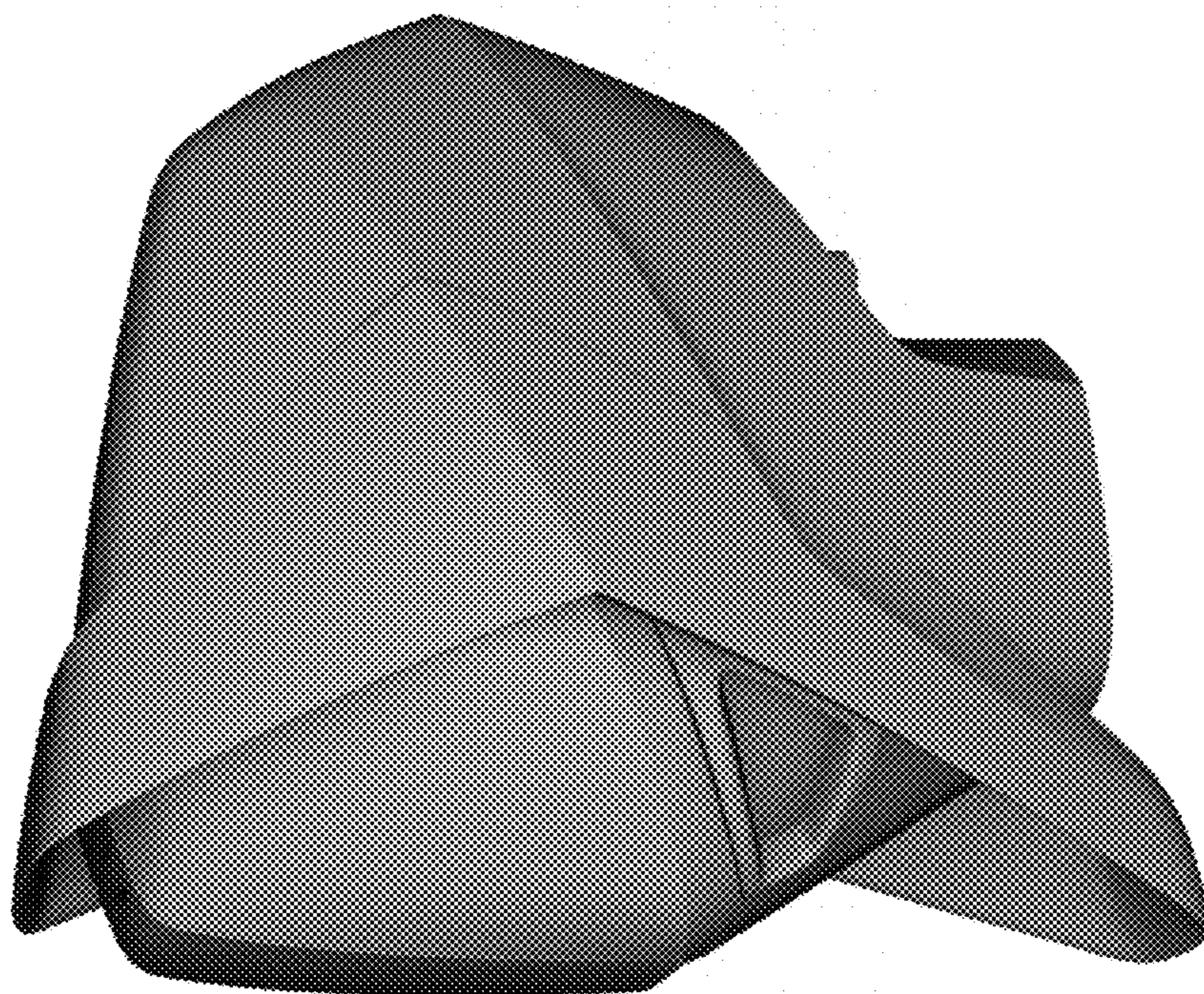


FIG. 2

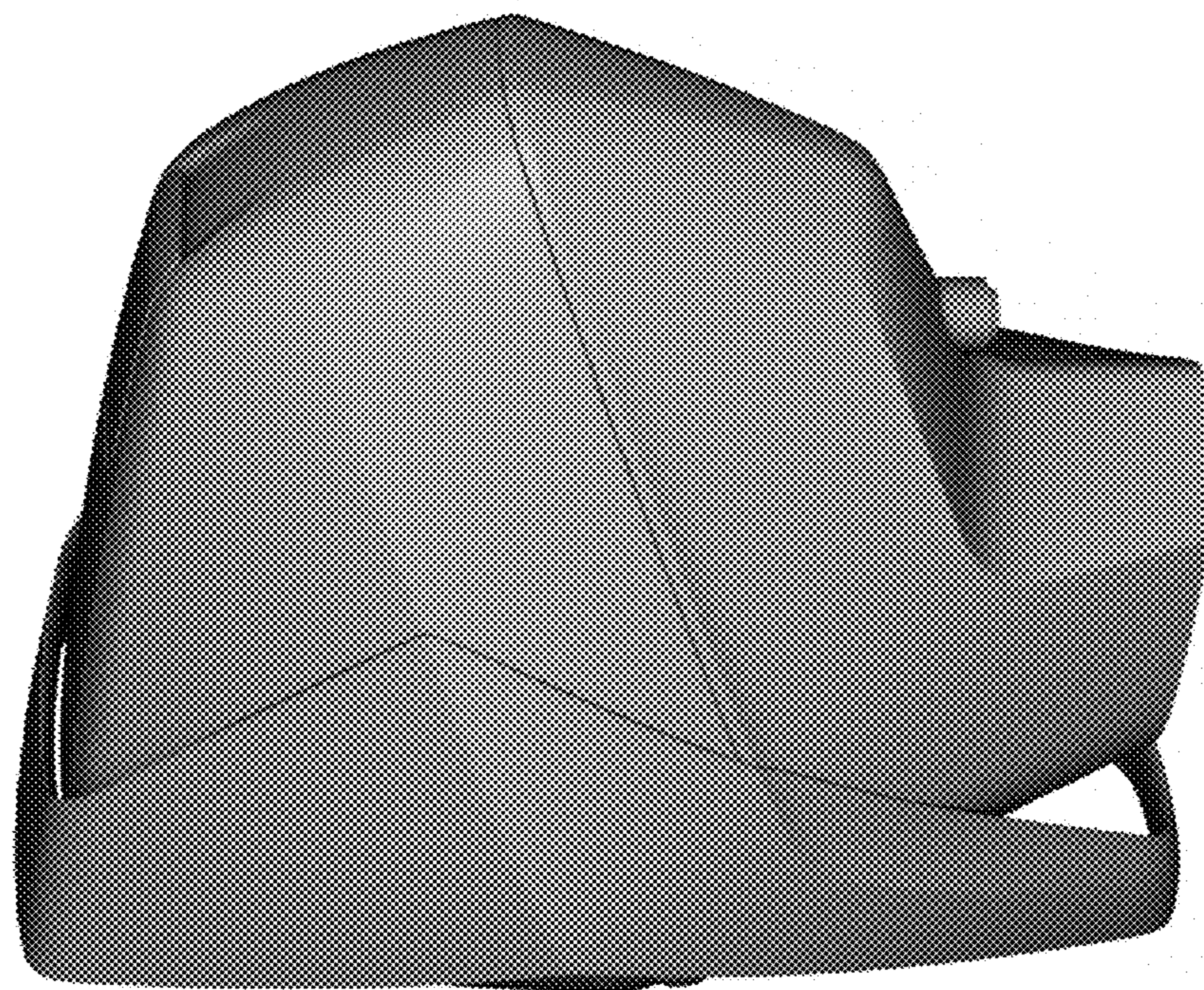


FIG. 3

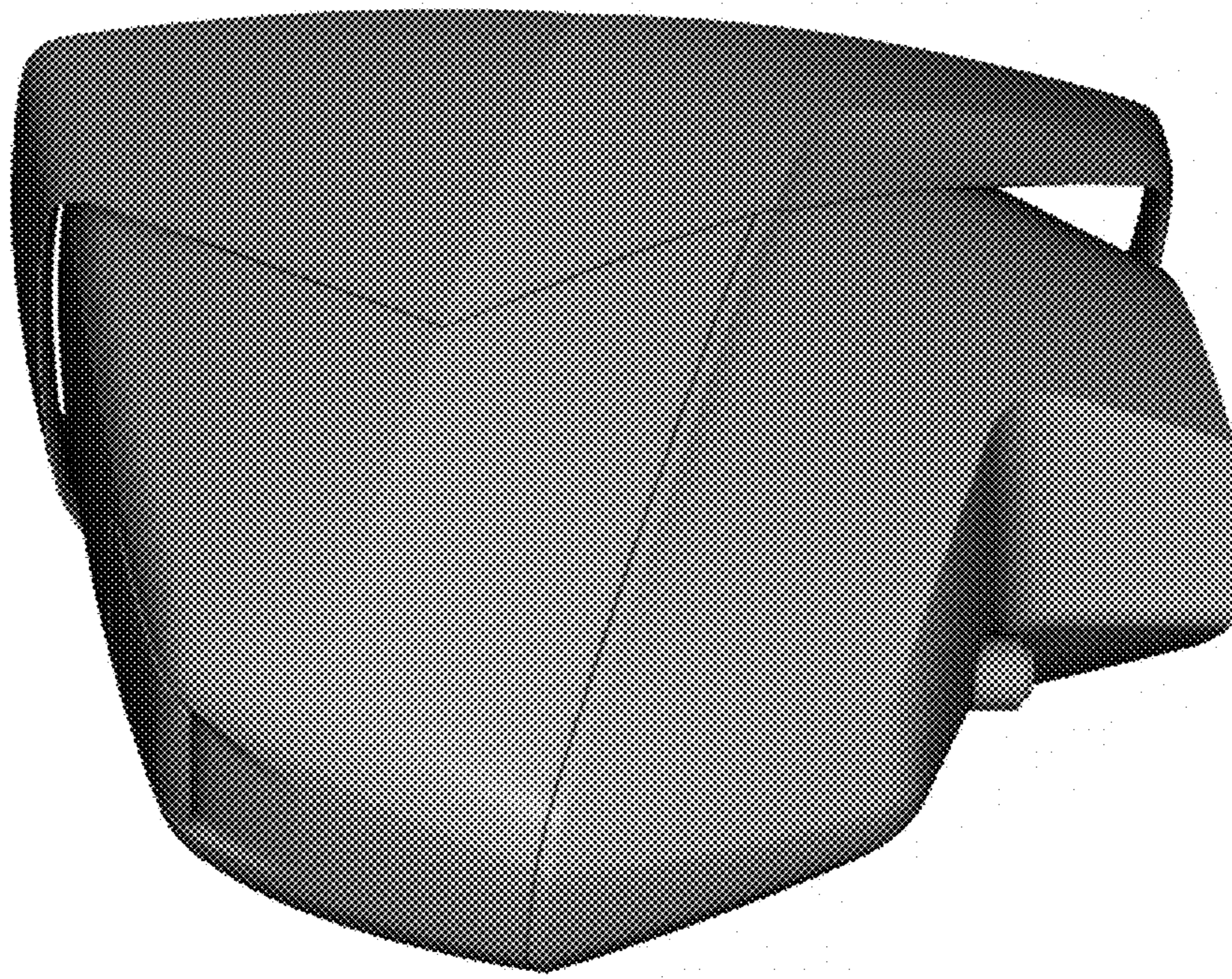


FIG. 4

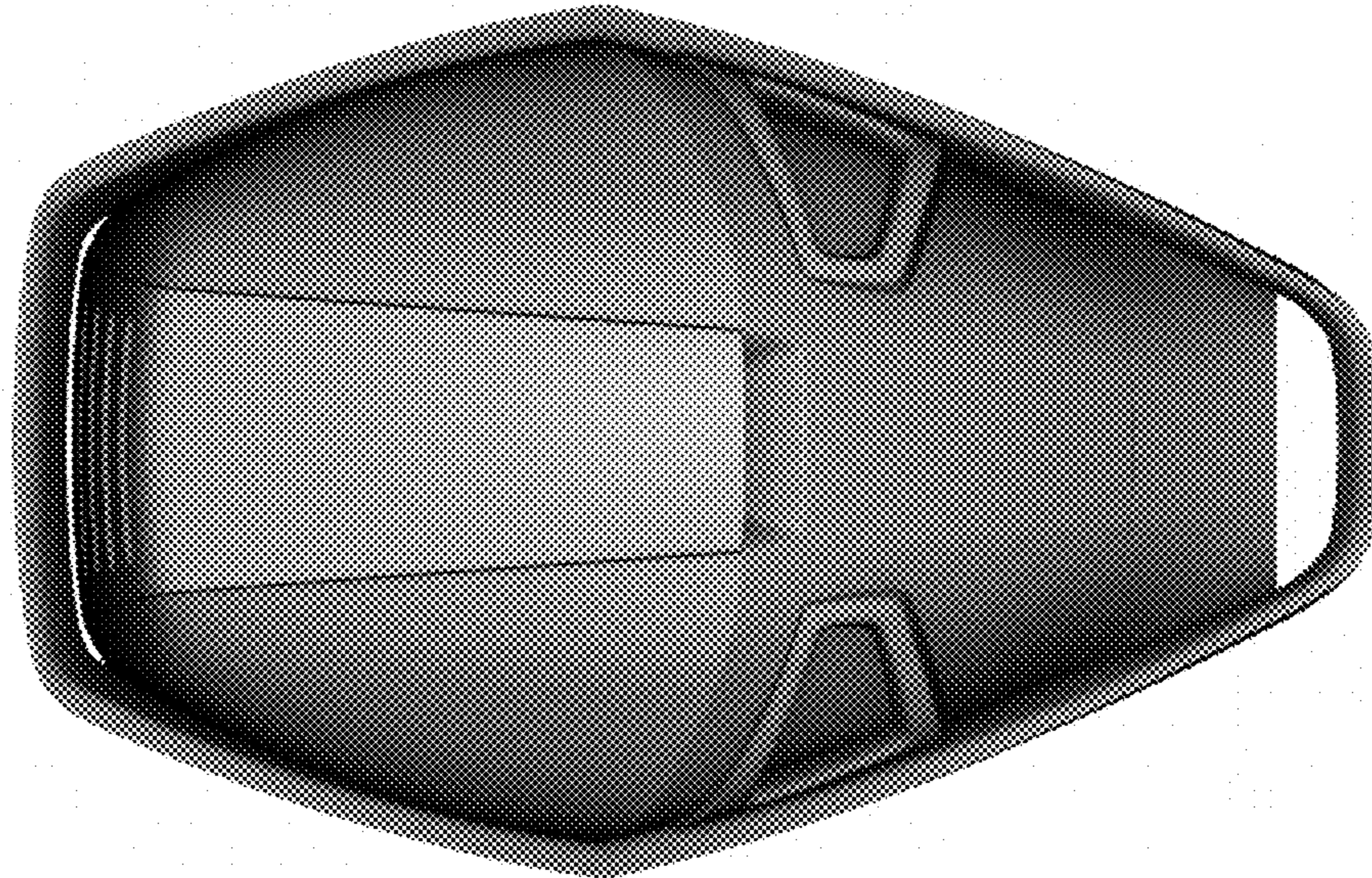


FIG. 5

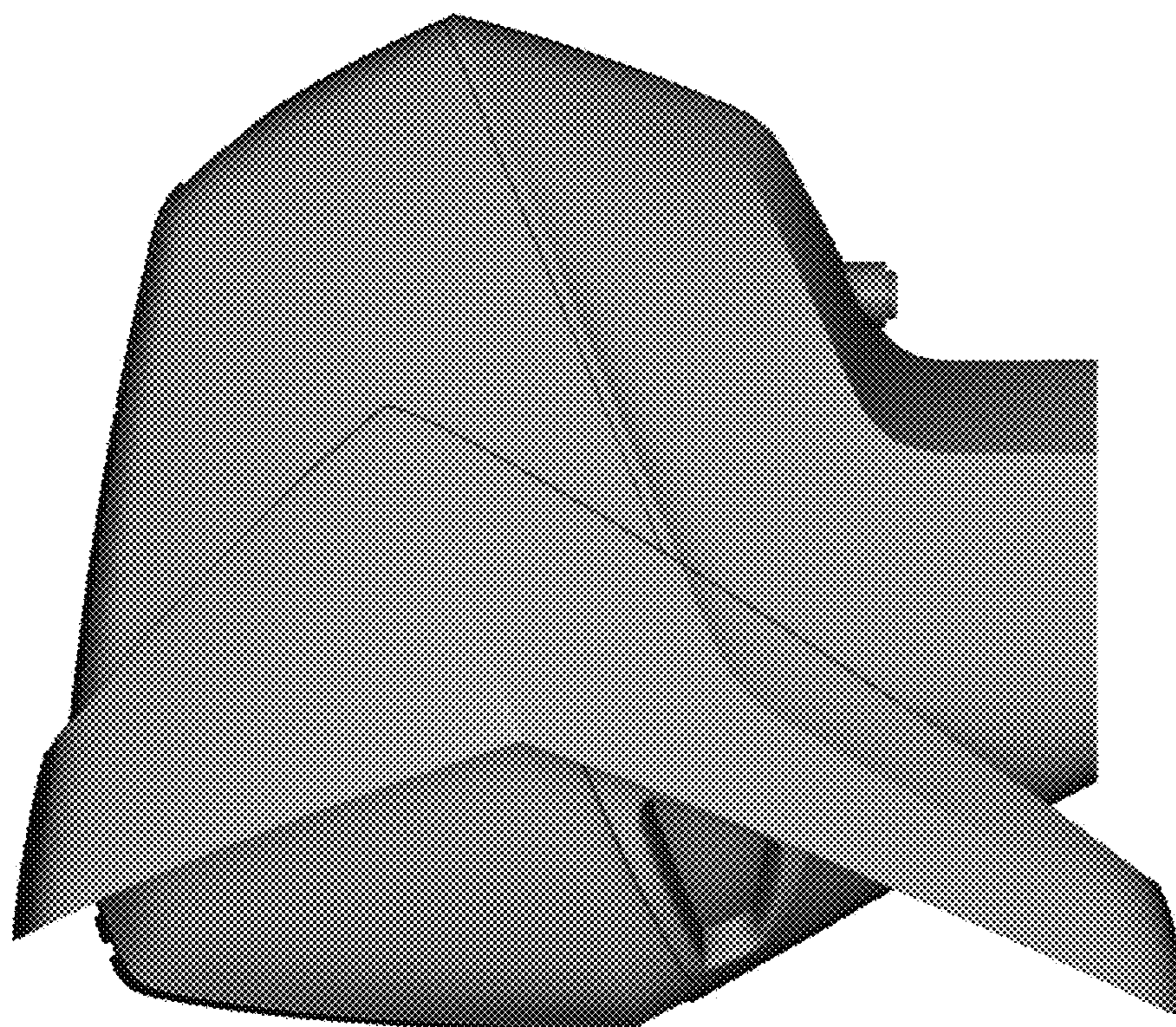


FIG. 6

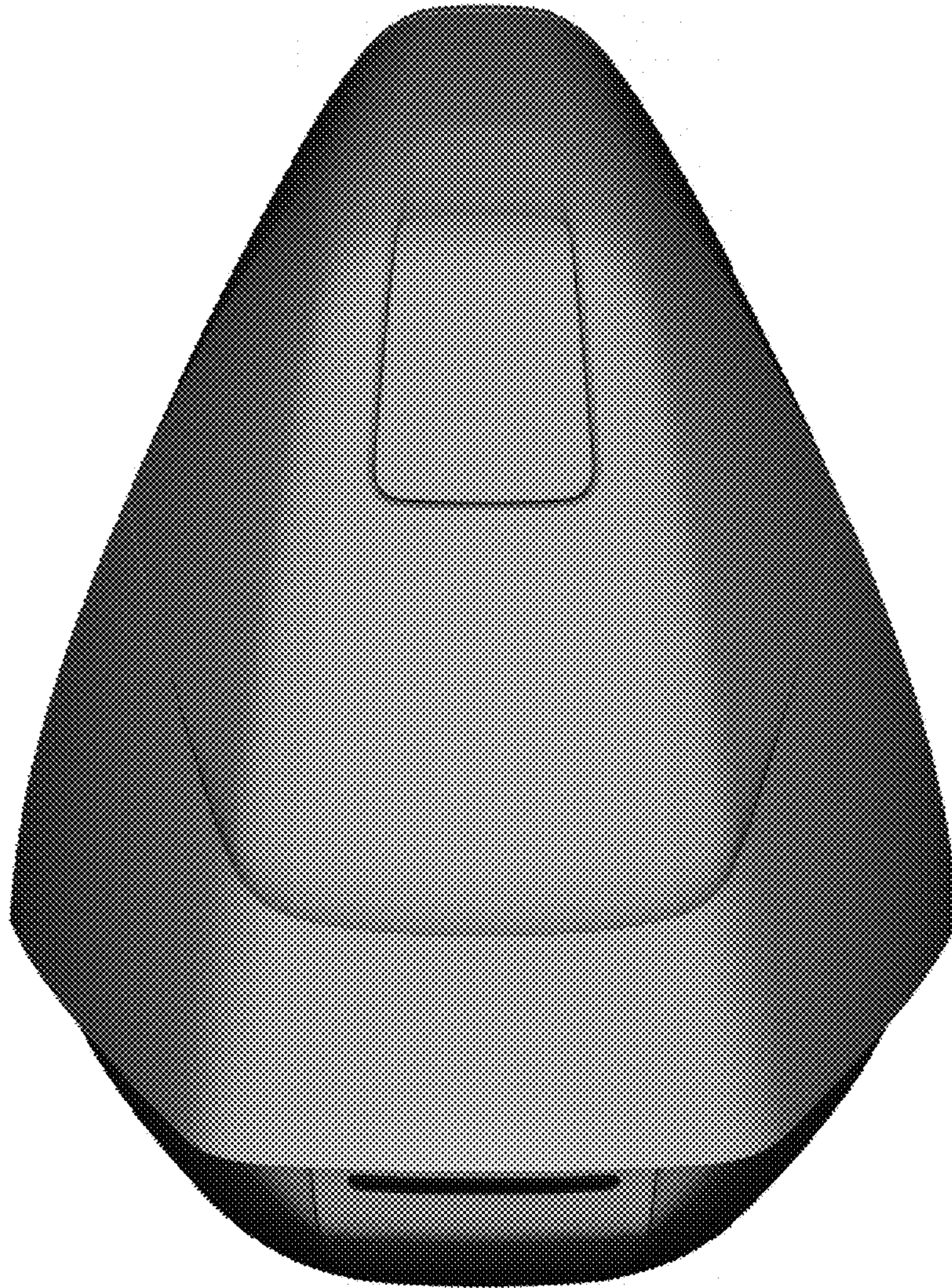


FIG. 7