



US00D814499S

(12) **United States Design Patent** (10) **Patent No.:** **US D814,499 S**
Ok et al. (45) **Date of Patent:** **** Apr. 3, 2018**

(54) **DISPLAY SCREEN OR PORTION THEREOF WITH GRAPHICAL USER INTERFACE**

D776,717 S * 1/2017 Asai D14/494
D778,292 S * 2/2017 Mochizuki D14/485
2010/0087230 A1* 4/2010 Peh G06F 3/04817
455/566

(71) Applicant: **Samsung Electronics Co., Ltd.**,
Suwon-si (KR)

(Continued)

(72) Inventors: **Joonho Ok**, Seoul (KR); **Soomin Kim**,
Seoul (KR)

FOREIGN PATENT DOCUMENTS

(73) Assignee: **SAMSUNG ELECTRONICS CO., LTD.**,
Suwon-si (KR)

CN 303198285 S 5/2015
CN 303520672 S 12/2015
CN 303585513 S 2/2016

(**) Term: **15 Years**

OTHER PUBLICATIONS

(21) Appl. No.: **29/582,787**

Griffiths, Sarah, "Goodbye calorie-counting apps!" Nov. 5, 2015, posted at dailymail.co.uk, [site visited Nov. 15, 2017]. Available from Internet: <<http://www.dailymail.co.uk/sciencetech/article-3305209/Goodbye-calorie-counting-apps-32-smart-scales-weigh-food-automatically-track-eating-phone.html>>.*

(22) Filed: **Oct. 31, 2016**

(Continued)

(30) **Foreign Application Priority Data**

Jun. 1, 2016 (KR) 30-2016-0026626

(51) **LOC (11) Cl.** **14-04**

(52) **U.S. Cl.**
USPC **D14/486**

(58) **Field of Classification Search**
USPC D14/485-495; D20/11; D21/324, 325
CPC G06F 3/04812; G06F 3/04817; G06F
3/0482; G06F 3/04842; A63F 13/10;
B60T 7/22

See application file for complete search history.

Primary Examiner — Karen E Kearney

Assistant Examiner — John M Otte

(74) *Attorney, Agent, or Firm* — McAndrews Held & Malloy, Ltd.

(56) **References Cited**

DESCRIPTION

U.S. PATENT DOCUMENTS

D602,033 S * 10/2009 Vu D14/485
8,082,499 B2 * 12/2011 Hudson A63F 13/10
715/702
D651,613 S * 1/2012 Ouilhet D14/491
D702,251 S * 4/2014 Kotler D14/487
D702,257 S * 4/2014 Wantland D14/489
D715,810 S * 10/2014 Tsukamoto D14/485
D722,079 S * 2/2015 Charles D14/488
D749,634 S 2/2016 Cho
9,501,058 B1 * 11/2016 Mariet B60T 7/22

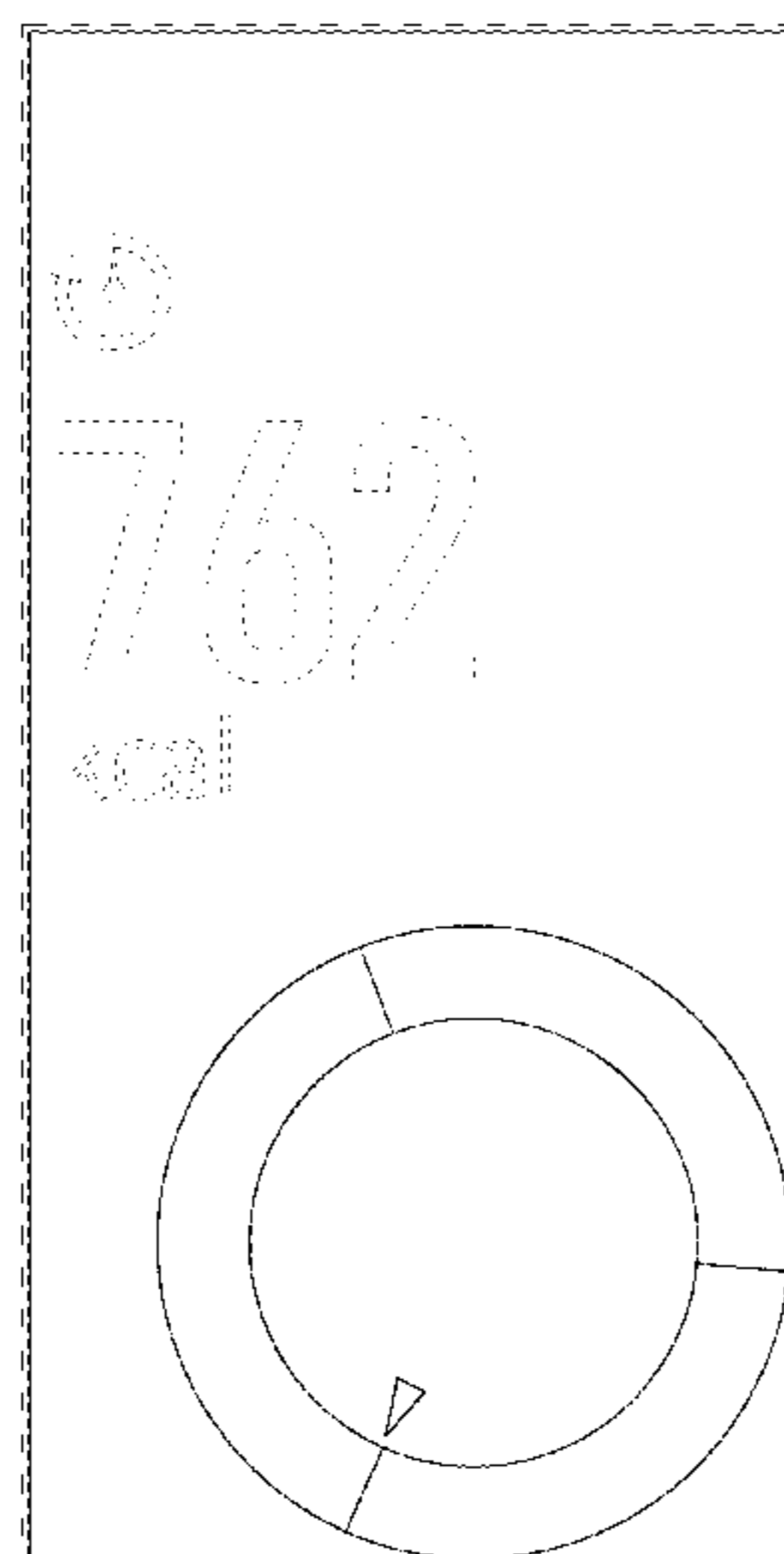
(57) **CLAIM**

The ornamental design for a display screen or portion thereof with graphical user interface, as shown and described.

The FIGURE is a front view of a display screen or portion thereof with graphical user interface showing our new design.

The outer perimeter shown in broken line in the drawings represents a display screen or portion thereof and forms no part of the claimed design. The remaining broken lines in the drawings illustrate portions of the graphical user interface that form no part of the claimed design.

1 Claim, 1 Drawing Sheet



(56)

References Cited

U.S. PATENT DOCUMENTS

2013/0019175 A1* 1/2013 Kotler G06F 3/0482
715/728
2013/0019208 A1* 1/2013 Kotler G06F 3/04812
715/835

OTHER PUBLICATIONS

“Best Calorie Counter and Diet Apps for iPhone” Feb. 16, 2016, posted at youtube.com, [site visited Nov. 15, 2017]. Available from Internet: <<https://www.youtube.com/watch?v=K7jTJDW0iYA>>.*

Rocchi, Cesare, “How to Create a Rotating Wheel Control with UIKit” Feb. 22, 2012, posted at raywenderlich.com, [site visited Nov. 15, 2017]. Available from Internet: <<https://www.raywenderlich.com/9864/how-to-create-a-rotating-wheel-control-with-uikit>>.*

“KPIs and Metrics” Apr. 7, 2014, posted at conceptdraw.com, [site visited Nov. 15, 2017]. Available from Internet: <<http://www.conceptdraw.com/examples/metric-dashboard-examples>>.*

Shir, Gal, “Analytics App Interface”, Dribbble, Jul. 25, 2015, <https://dribbble.com/shots/2164692-Analytics-App-Interface> (Last accessed Oct. 31, 2016).

* cited by examiner

