



US00D814475S

(12) **United States Design Patent**
Jung et al.

(10) **Patent No.:** **US D814,475 S**

(45) **Date of Patent:** **** Apr. 3, 2018**

(54) **NOTEBOOK**

(71) Applicant: **Samsung Electronics Co., Ltd.**,
Suwon-si (KR)

(72) Inventors: **Seung-Ho Jung**, Seoul (KR);
Kyung-Jin Lee, Andong-si (KR)

(73) Assignee: **SAMSUNG ELECTRONICS CO., LTD.**,
Suwon-si (KR)

(**) Term: **15 Years**

(21) Appl. No.: **29/581,375**

(22) Filed: **Oct. 18, 2016**

(51) **LOC (11) Cl.** **14-02**

(52) **U.S. Cl.**
USPC **D14/439**

(58) **Field of Classification Search**
USPC D14/440, 250, 447, 426, 330, 315, 439,
D14/432, 300; 206/45.23, 320, 45.2;
361/679.55; 294/25
CPC G06F 1/1628; G06F 1/1626; G06F 1/669;
A47B 23/044; H04B 1/3888
See application file for complete search history.

(56) **References Cited**

U.S. PATENT DOCUMENTS

4,149,935	A *	4/1979	Fields	H02G 15/14 376/249
4,252,244	A *	2/1981	Christian	B21D 51/24 220/586
4,747,392	A *	5/1988	Rogers	F24C 15/12 126/299 C
D361,766	S *	8/1995	Mackay	D14/160
5,729,941	A *	3/1998	Kassardjian	E04C 5/161 248/523
D423,509	S *	4/2000	Park	D14/218
D546,818	S *	7/2007	Gautier	D14/218
D572,206	S *	7/2008	Ikeda	D13/168

D574,382	S *	8/2008	Tsukahara	D14/315
D635,545	S *	4/2011	Sakai	D14/167
D699,224	S *	2/2014	Diamond	D14/218
D709,038	S *	7/2014	Takama	D13/168

(Continued)

Primary Examiner — Cynthia Underwood
(74) *Attorney, Agent, or Firm* — McAndrews Held & Malloy, Ltd.

(57) **CLAIM**

The ornamental design for a notebook, as shown and described.

DESCRIPTION

FIG. 1 is a bottom perspective view of a notebook showing our new design;

FIG. 2 is a front elevation view thereof;

FIG. 3 is a rear elevation view thereof;

FIG. 4 is a left side elevation view thereof;

FIG. 5 is a right side elevation view thereof;

FIG. 6 is a top plan view thereof;

FIG. 7 is a bottom plan view thereof;

FIG. 8 is an enlarged view of the portion encircled in FIG. 1;

FIG. 9 is an enlarged view of the portion encircled in FIG. 2;

FIG. 10 is a cross-sectional view thereof taken through the lines 10-10 in FIG. 9;

FIG. 11 is a right side elevation view thereof showing our new design in an open position; and,

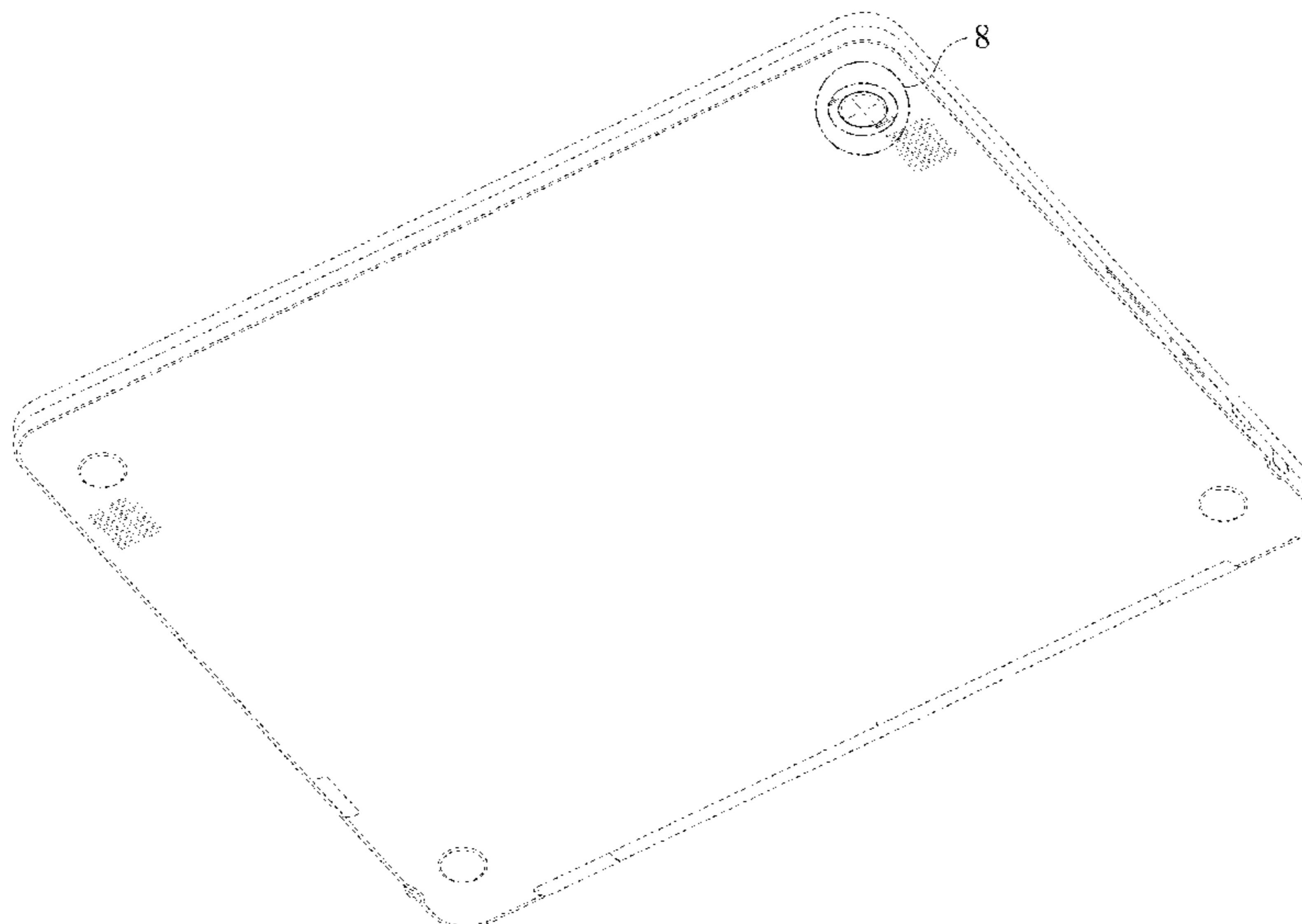
FIG. 12 is a right side elevation view thereof showing our new design in a fully-open tablet position.

The dashed broken lines in the drawings represent portions of the notebook that form no part of the claimed design.

The dot-dash broken lines in the drawings define the boundaries of the claimed design but form no part thereof.

The dot-dot-dash broken lines in the drawings encircle portions of the claimed design that are illustrated in enlargements, and form no part of the claimed design.

1 Claim, 12 Drawing Sheets



(56)

References Cited

U.S. PATENT DOCUMENTS

D719,935 S	*	12/2014	Diamond	D14/218
D729,210 S	*	5/2015	Behar	D14/218
D761,249 S	*	7/2016	Liang	D14/315
D761,784 S	*	7/2016	Jung	D14/315
D766,232 S	*	9/2016	Suzuki	D14/315
D766,866 S	*	9/2016	Cho	D14/167
D797,746 S	*	9/2017	Heiss	D14/432

* cited by examiner

FIG. 1

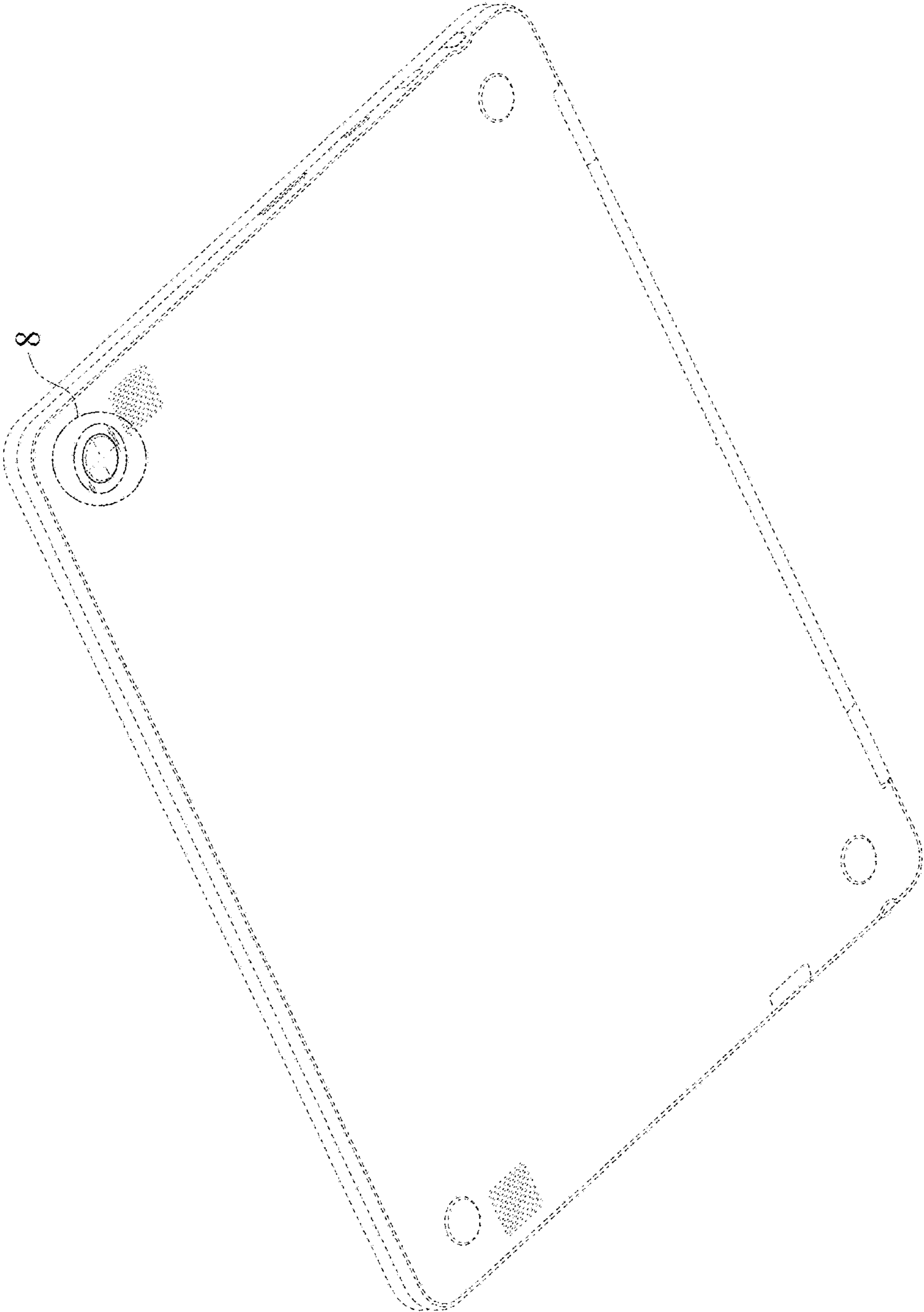


FIG. 2

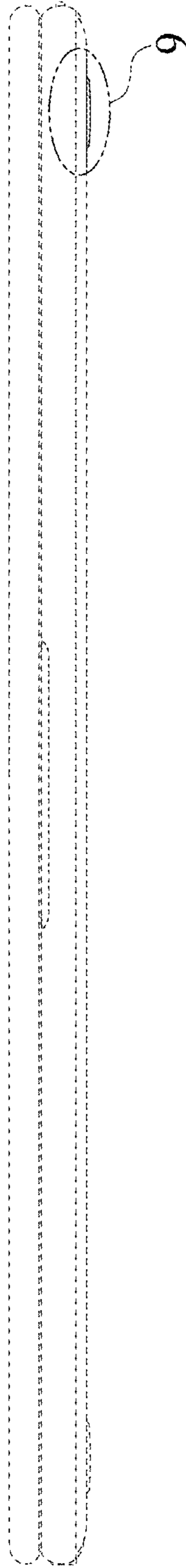


FIG. 3

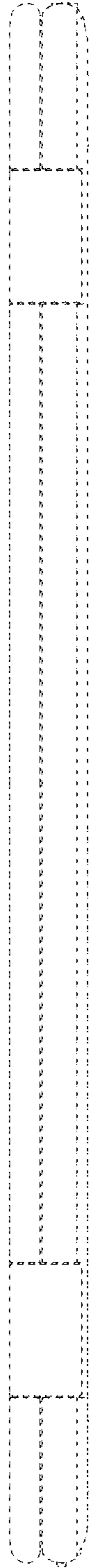


FIG. 4

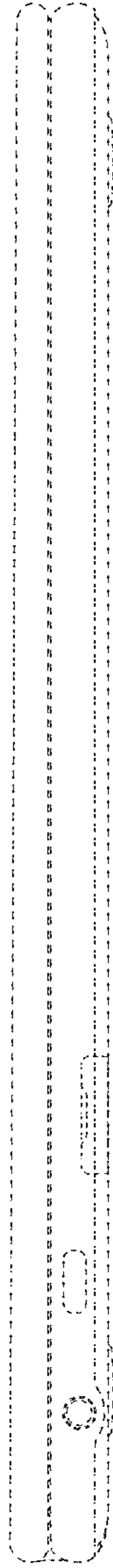


FIG. 5

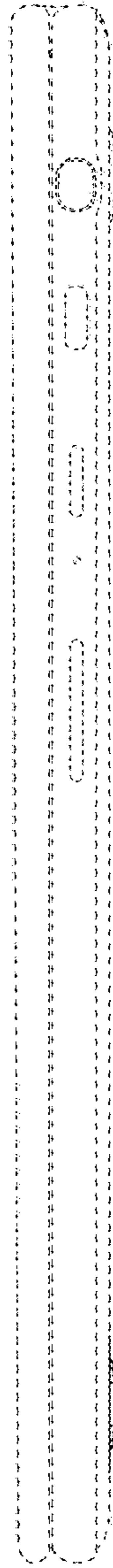


FIG. 6

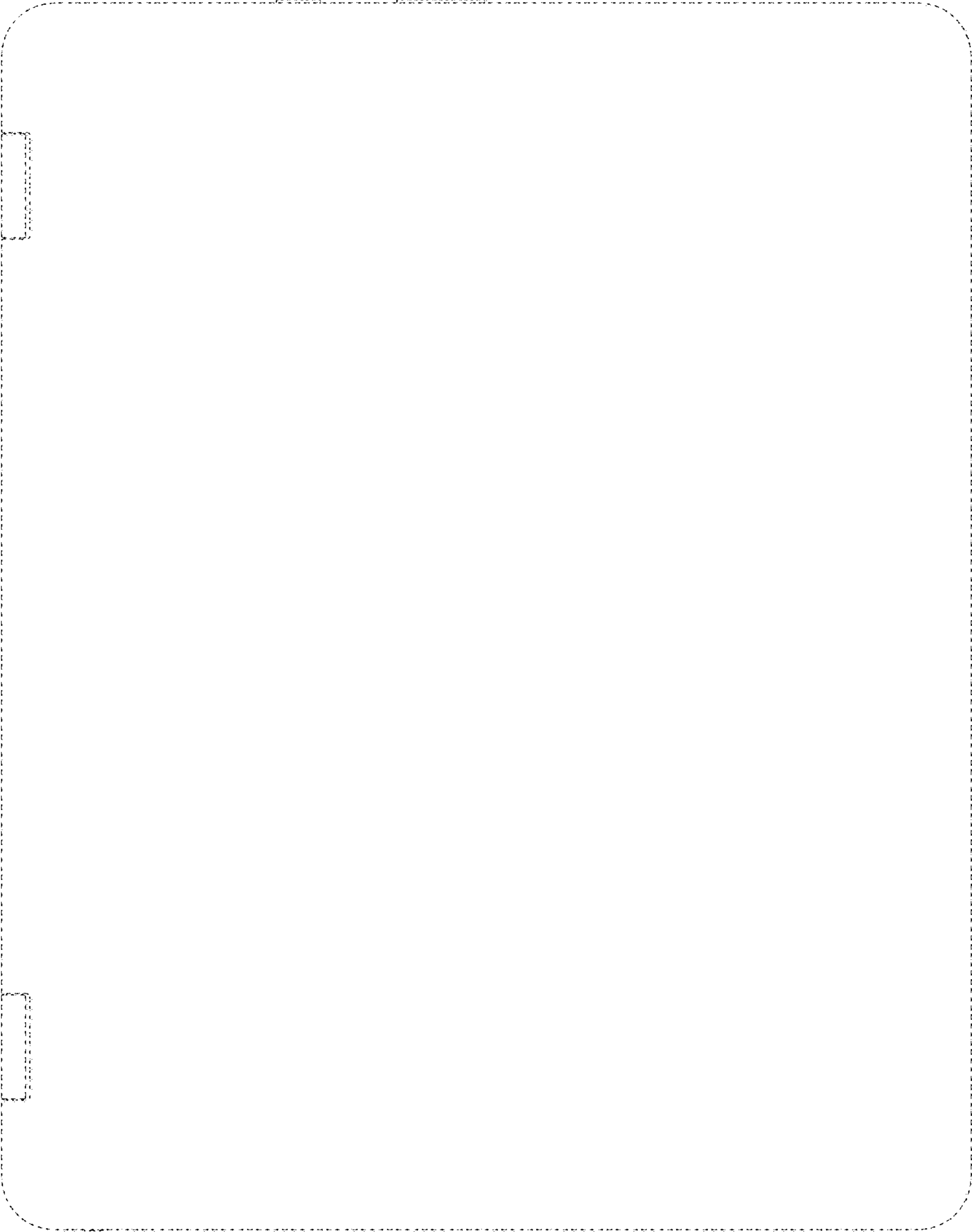


FIG. 7

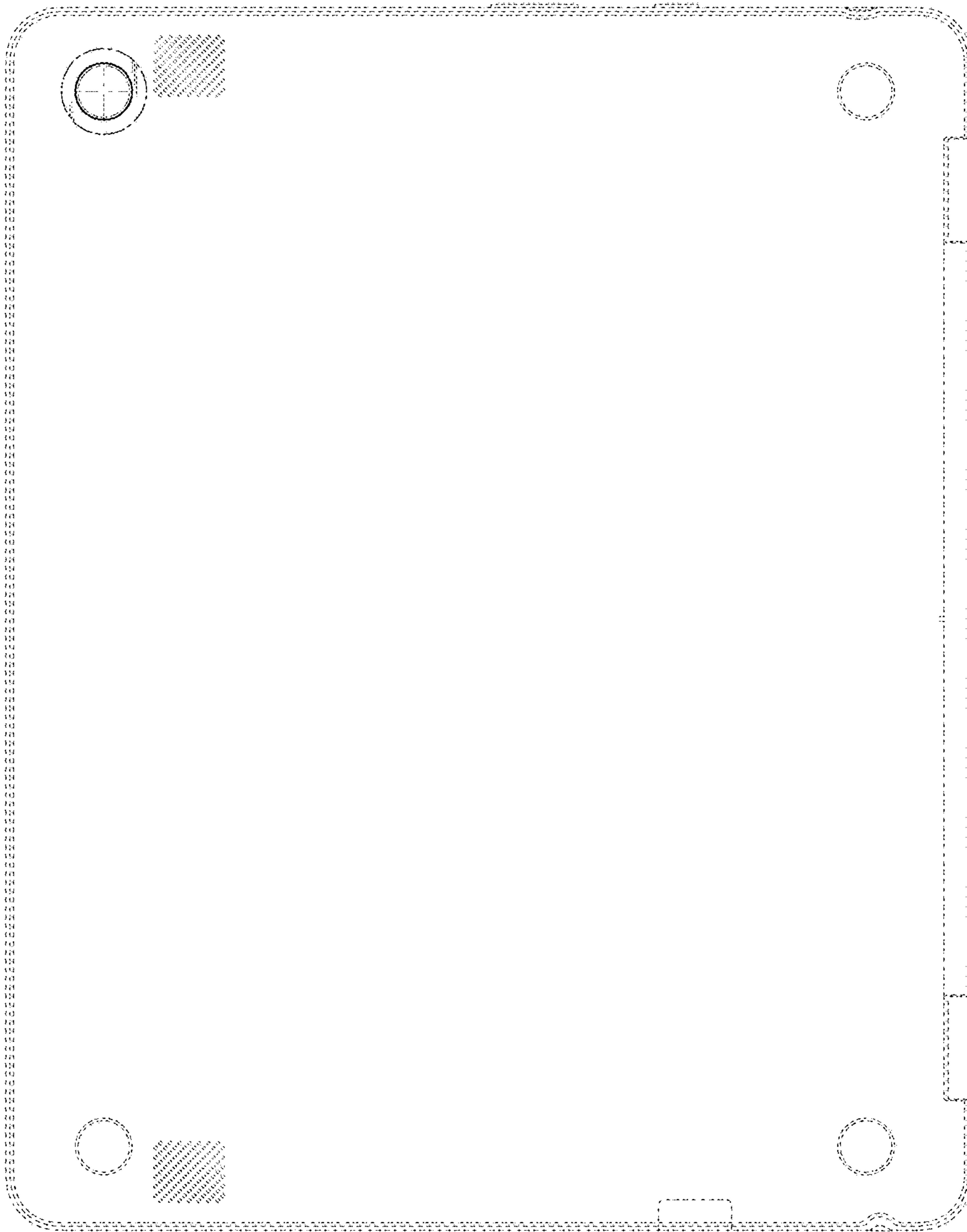


FIG. 8

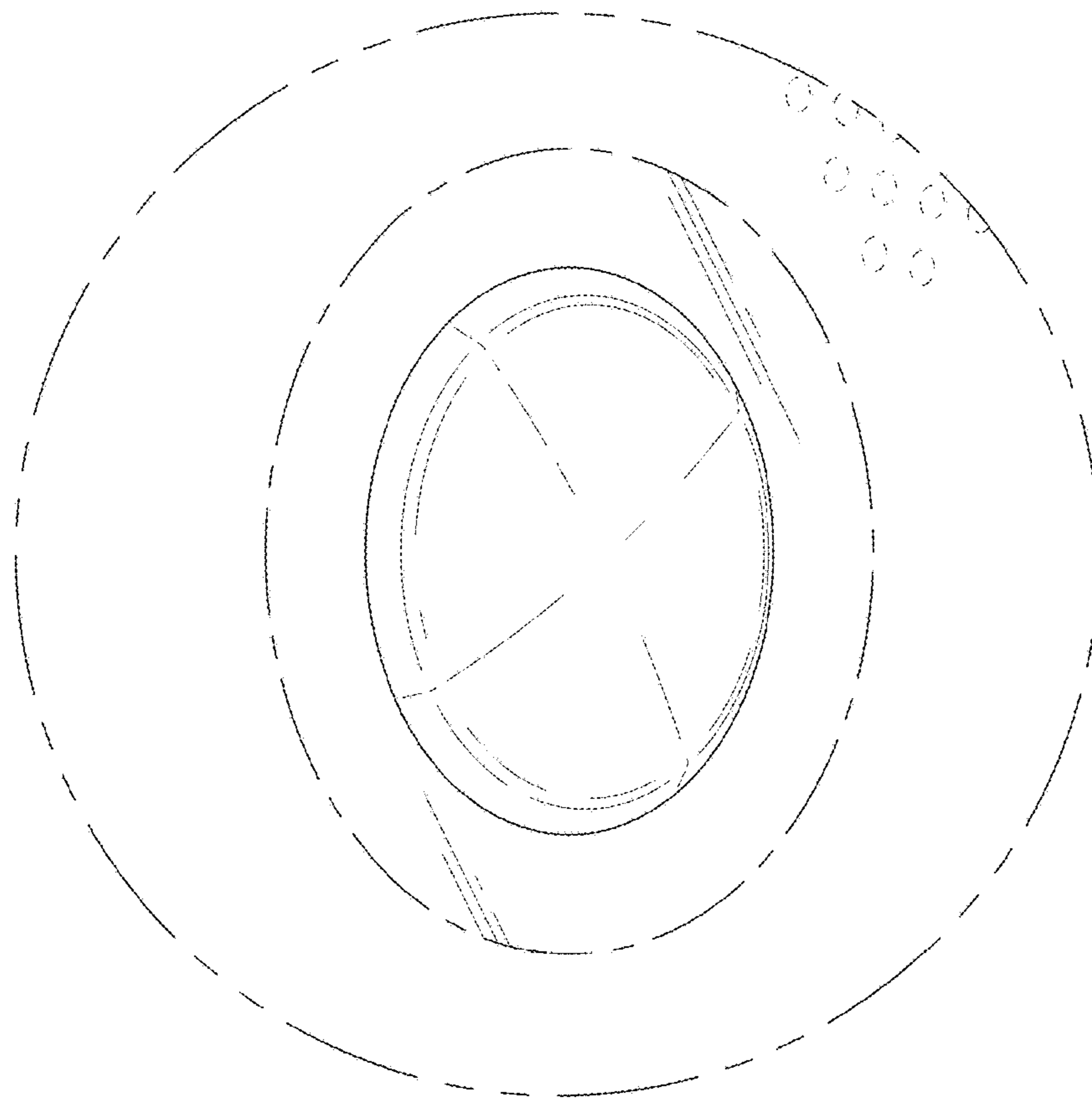


FIG. 9

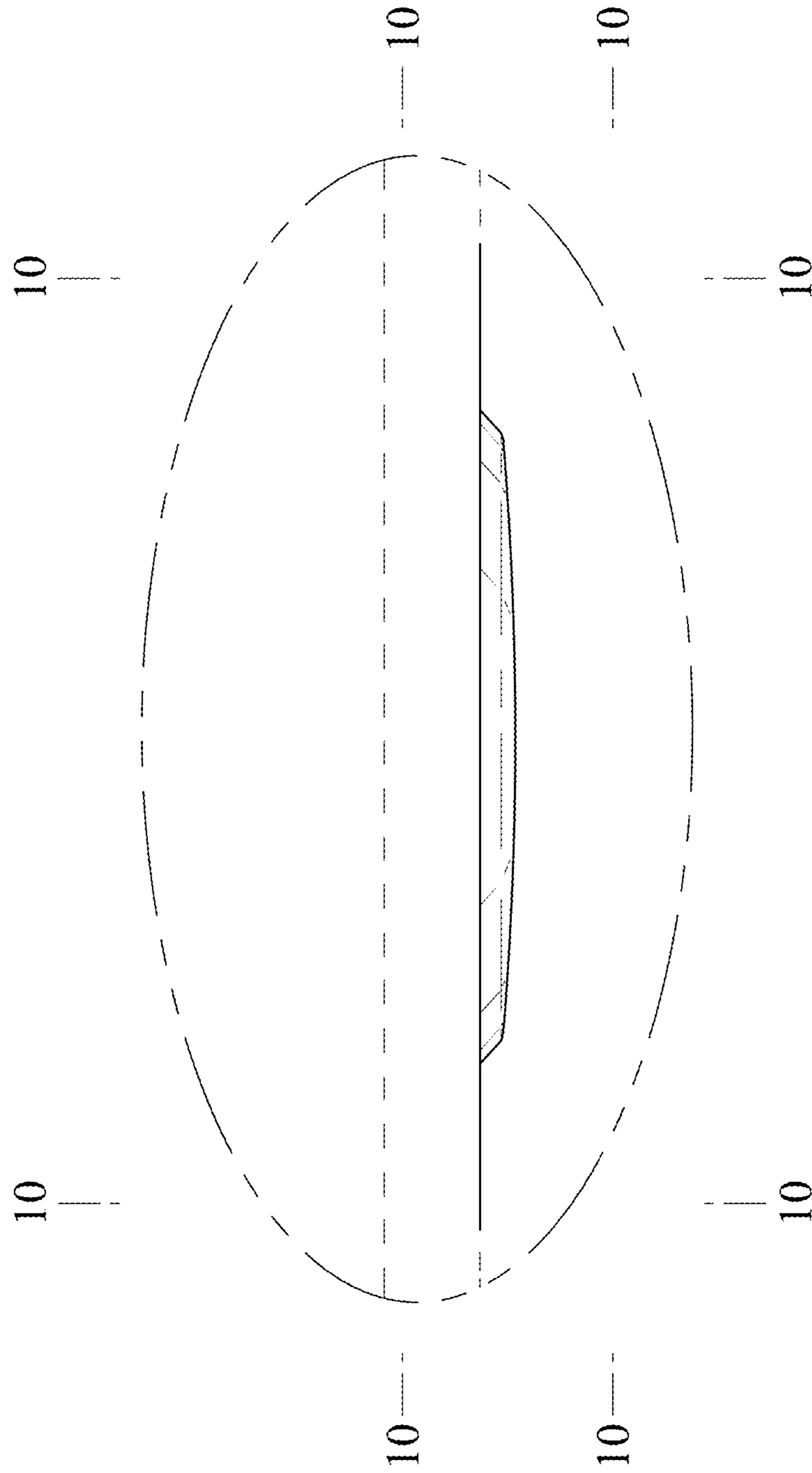


FIG. 10

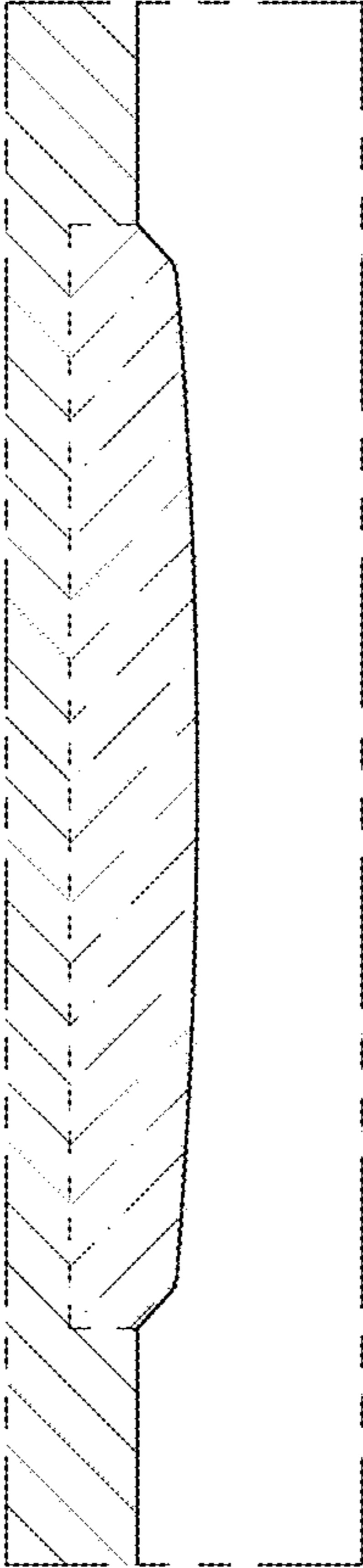


FIG. 11

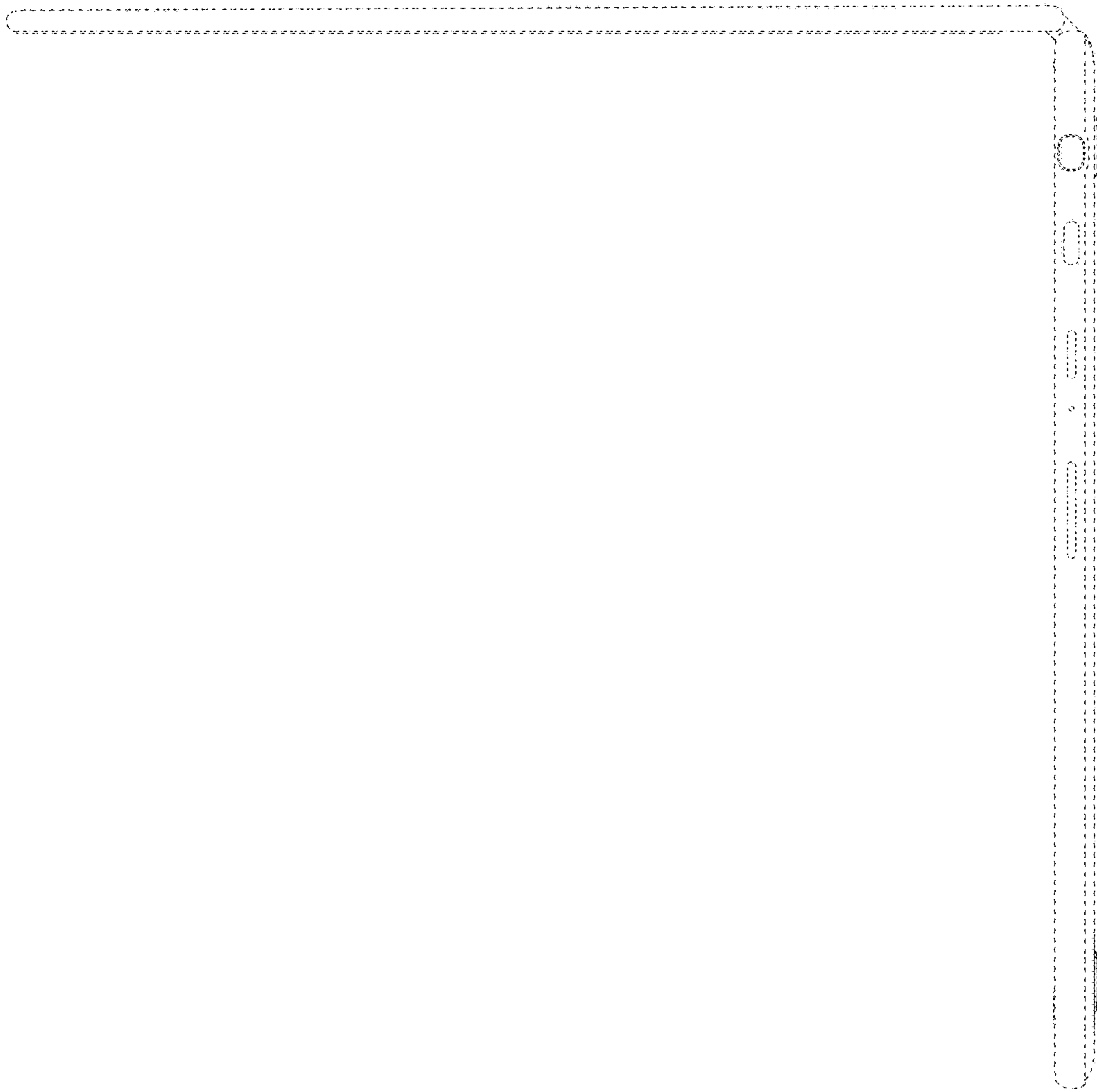


FIG. 12

