



US00D814471S

(12) **United States Design Patent**  
**Kim et al.**

(10) **Patent No.:** **US D814,471 S**

(45) **Date of Patent:** **\*\* Apr. 3, 2018**

(54) **ADAPTER**

(71) Applicant: **SZ DJI Technology Co., Ltd.**,  
Shenzhen (CN)

(72) Inventors: **Min Kim**, Shenzhen (CN); **Haibin Zheng**, Shenzhen (CN)

(73) Assignee: **SZ DJI Technology Co., Ltd.**,  
Shenzhen (CN)

(\*\*) Term: **15 Years**

(21) Appl. No.: **29/556,345**

(22) Filed: **Feb. 29, 2016**

(51) **LOC (11) Cl.** ..... **14-02**

(52) **U.S. Cl.**  
USPC ..... **D14/433**

(58) **Field of Classification Search**  
USPC ..... D13/108, 110, 123, 133, 137.1–137.4,  
D13/138.1–138.2, 139.1–139.8, 152–154,  
D13/156, 158, 177, 199, 107, 146, 147;  
D8/350–353, 331; D25/138, 163, 164,  
D25/144, 156; D9/430; D14/433, 435.1  
CPC ..... H01R 25/00; H01R 25/006; H01R 9/00;  
H01R 11/00; H01R 3/00; H05K 5/02;  
H02J 7/00; H02J 7/02; G06F 15/1735;  
G06F 2213/3812; G06F 2213/3806  
See application file for complete search history.

(56) **References Cited**

**U.S. PATENT DOCUMENTS**

D260,512 S *	9/1981	Djurinec	.....	D13/138.1
D303,246 S *	9/1989	Freeman	.....	D13/147
D461,453 S *	8/2002	Chen	.....	D13/147
D522,462 S *	6/2006	Kondas	.....	D13/147
D558,145 S *	12/2007	Stavoe	.....	D13/147
D560,165 S *	1/2008	Matityahu	.....	D13/133
D588,545 S *	3/2009	Andre	.....	D13/147
D623,136 S *	9/2010	Andre	.....	D13/108

D628,537 S *	12/2010	Nagata	.....	D13/147
D638,363 S *	5/2011	Ledbetter	.....	D13/147
D638,364 S *	5/2011	Ledbetter	.....	D13/147
D699,188 S *	2/2014	Akana	.....	D13/147
D699,686 S *	2/2014	Chen	.....	D13/154
D705,178 S *	5/2014	Olsson	.....	D13/153
D705,736 S *	5/2014	Zaslavsky	.....	D13/139.7
D707,180 S *	6/2014	Yi	.....	D13/147
D709,032 S *	7/2014	Akana	.....	D13/147
D714,729 S *	10/2014	Akana	.....	D13/147
D714,731 S *	10/2014	Lee	.....	D13/147
D722,567 S *	2/2015	Lee	.....	D13/147
D728,482 S *	5/2015	Cepress	.....	D13/147
D730,903 S *	6/2015	Langhammer	.....	D14/433

(Continued)

*Primary Examiner* — Rosemary K Tarcza

*Assistant Examiner* — Christy Nemeth

(74) *Attorney, Agent, or Firm* — Sterne, Kessler,  
Goldstein & Fox P.L.L.C.

(57) **CLAIM**

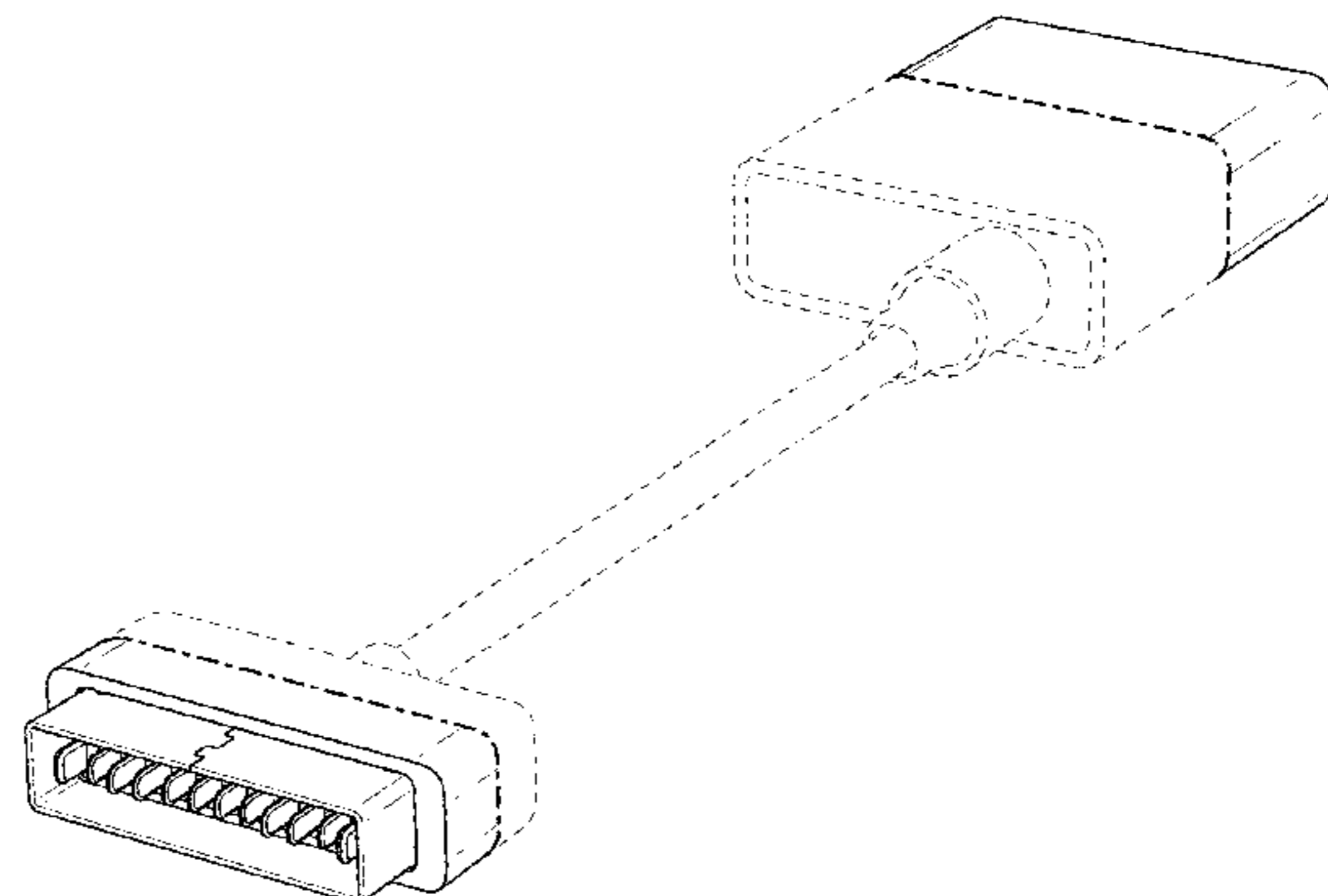
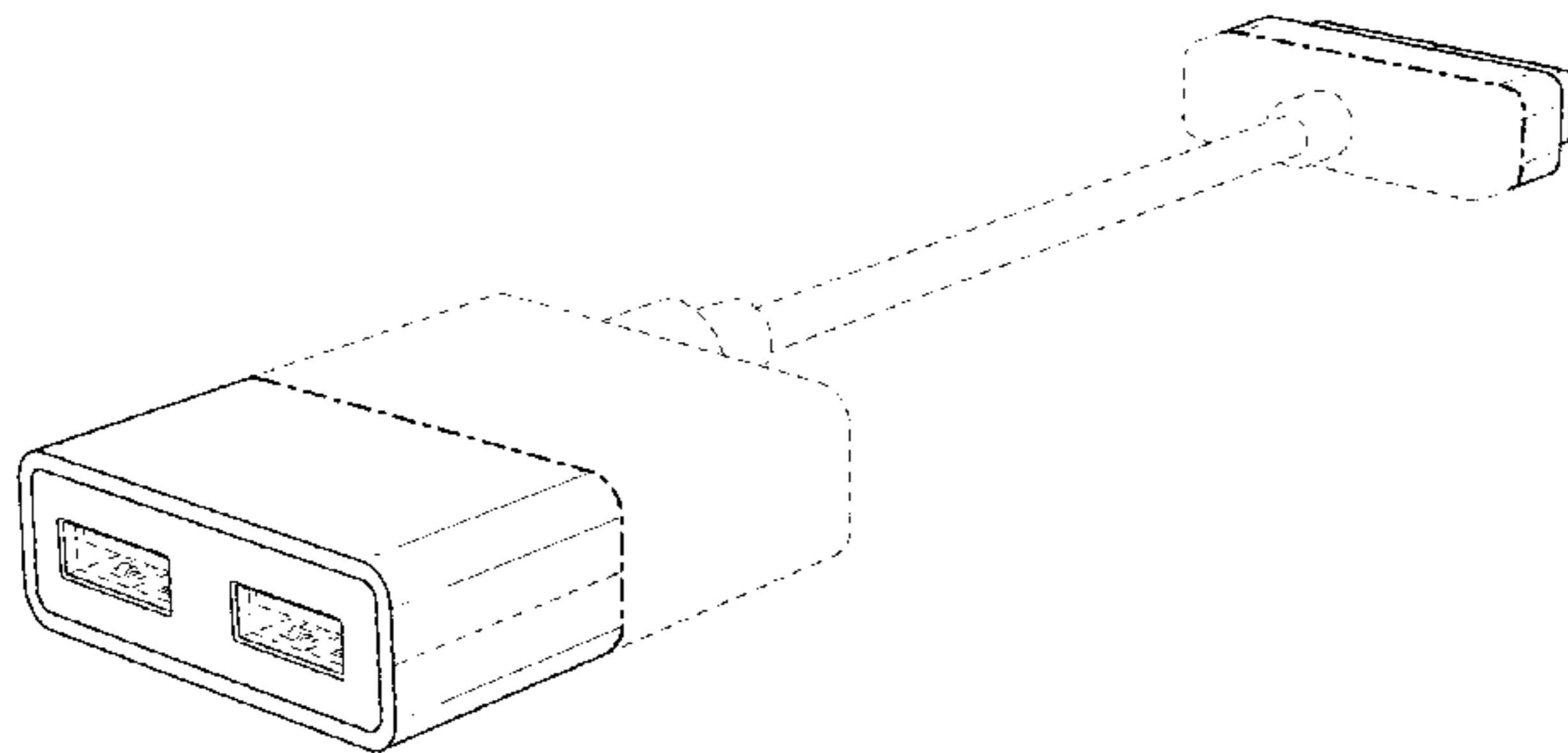
The ornamental design for an adapter, as shown and described.

**DESCRIPTION**

FIG. 1 is a top rear perspective view of an adapter showing our new design;  
FIG. 2 is a top front perspective view thereof;  
FIG. 3 is a front view thereof;  
FIG. 4 is a rear view thereof;  
FIG. 5 is a left side view thereof;  
FIG. 6 is a right side view thereof;  
FIG. 7 is a top view thereof; and,  
FIG. 8 is a bottom view thereof.

The dashed broken lines in the figures show portions of the adapter that form no part of the claimed design.  
The dot-dash broken lines in the figures show boundaries that form no part of the claimed design.  
The shade lines in the figures show contour and not surface ornamentation.

**1 Claim, 5 Drawing Sheets**



(56)

**References Cited**

U.S. PATENT DOCUMENTS

D741,808 S *	10/2015	Shim .....	D13/147
D743,965 S *	11/2015	Laffon de Mazieres ....	D13/154
D746,780 S *	1/2016	Akana .....	D13/147
D747,273 S *	1/2016	Langhammer .....	D13/147
D781,785 S *	3/2017	Akana .....	D13/147
D782,484 S *	3/2017	Hu .....	D14/433
D782,980 S *	4/2017	Zhang .....	D13/147
D784,340 S *	4/2017	Laffon de Mazieres ....	D14/433
D785,569 S *	5/2017	Saltzer .....	D13/137.4
D794,028 S *	8/2017	Lin .....	D14/433
D794,575 S *	8/2017	Mortun .....	D13/139.1
2014/0065878 A1 *	3/2014	Huang .....	H01R 12/724 439/540.1

\* cited by examiner

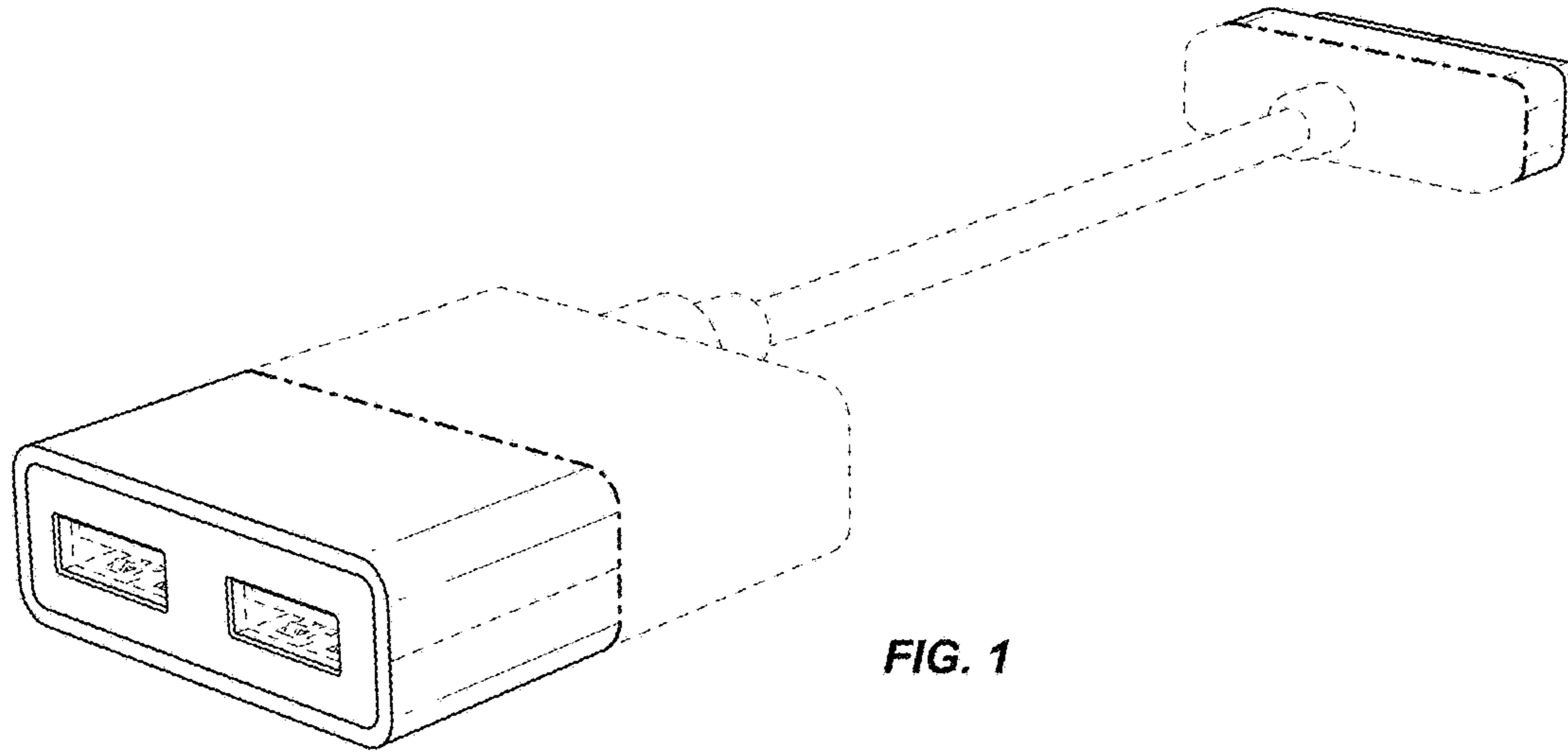


FIG. 1

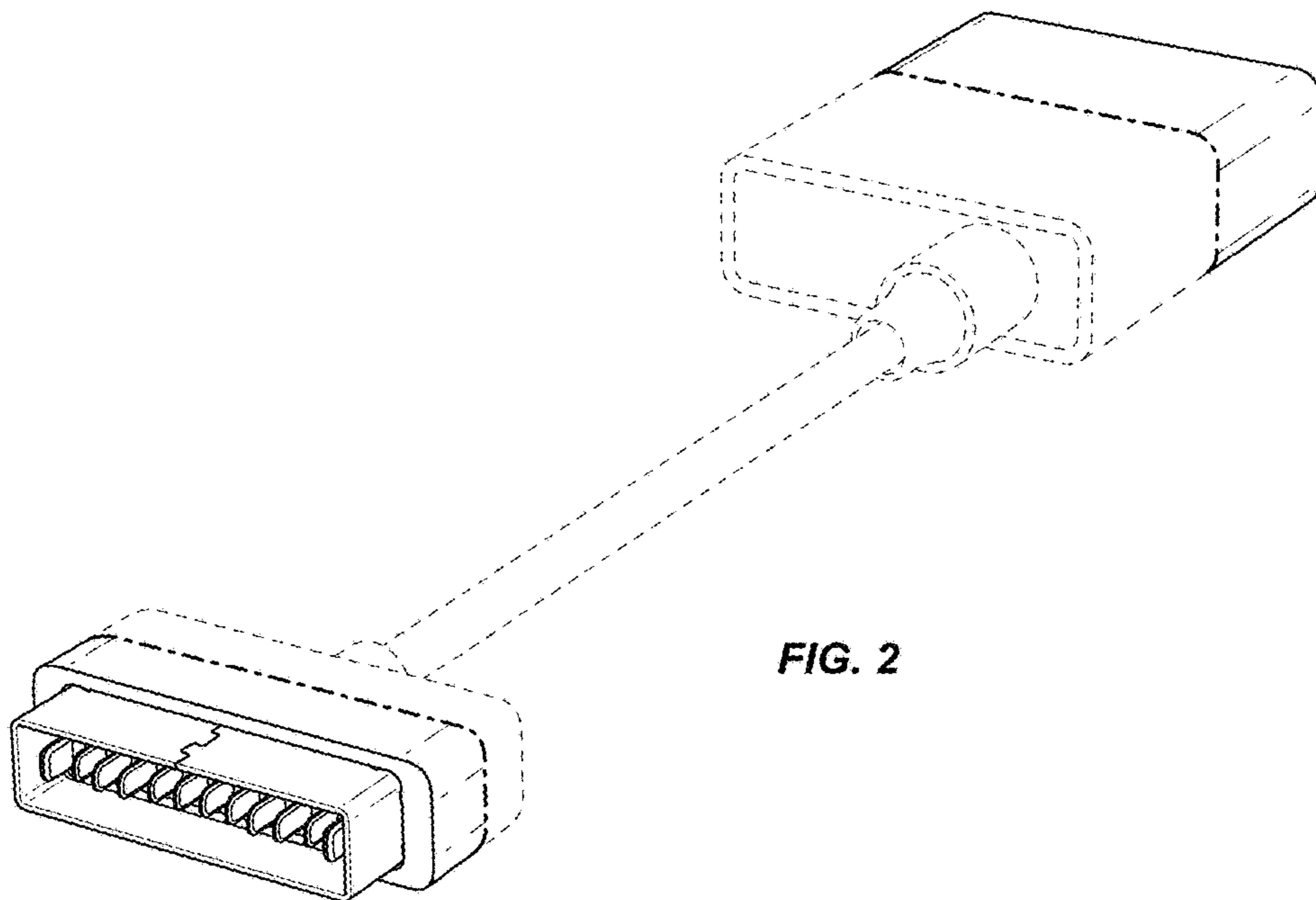
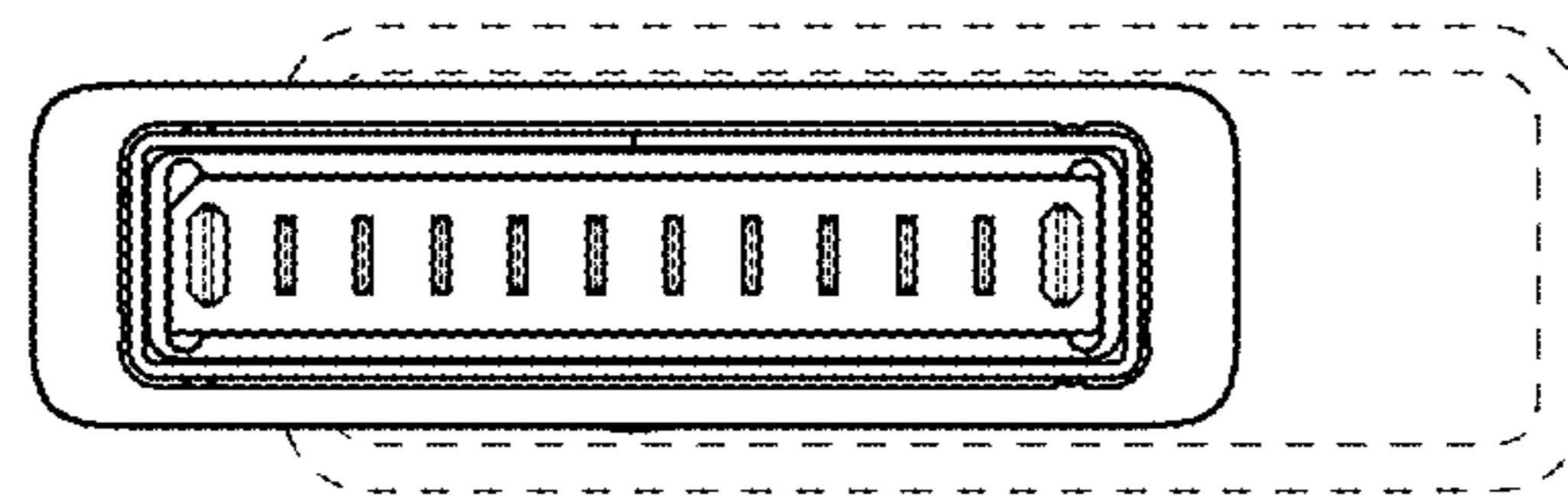
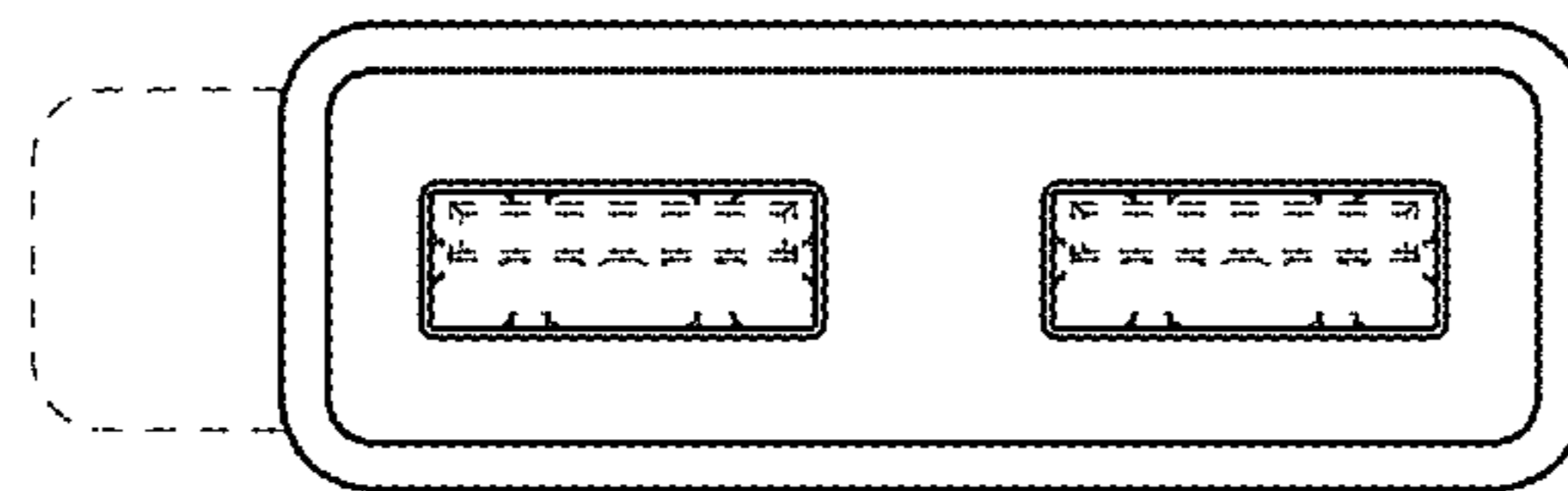


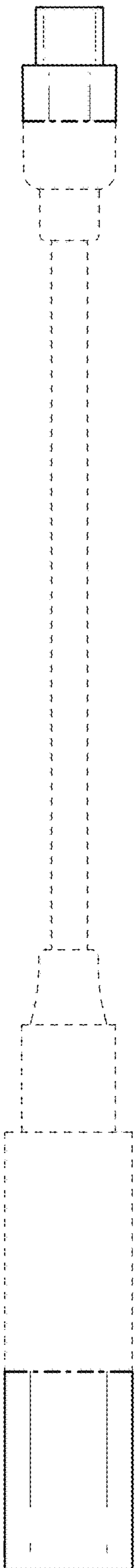
FIG. 2



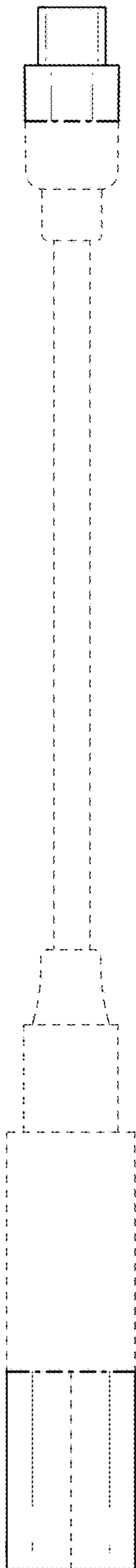
**FIG. 3**



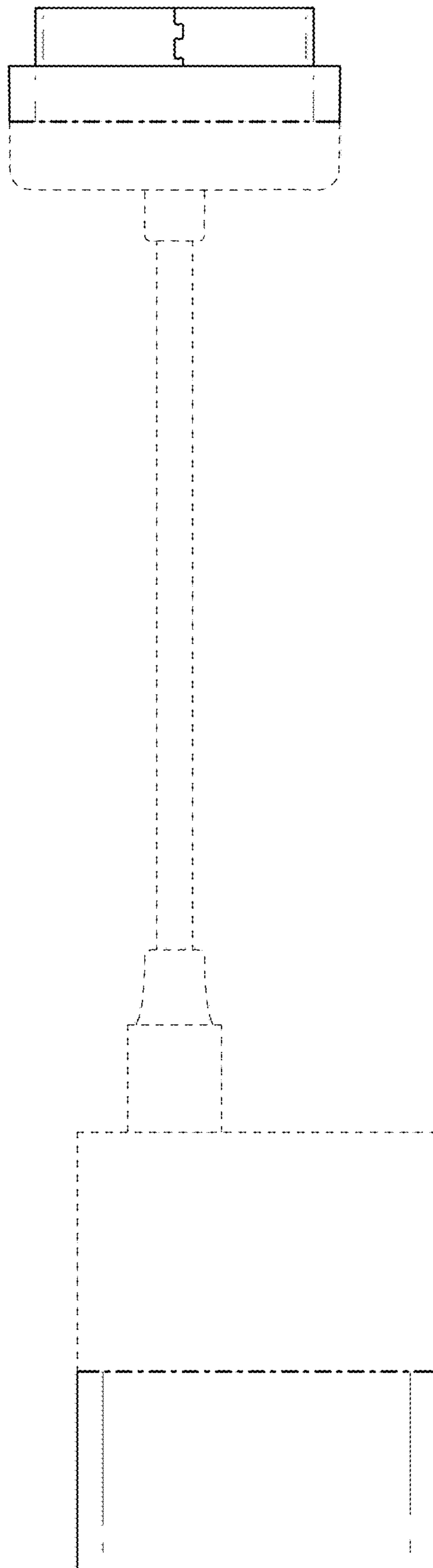
**FIG. 4**



**FIG. 5**



**FIG. 6**



**FIG. 7**

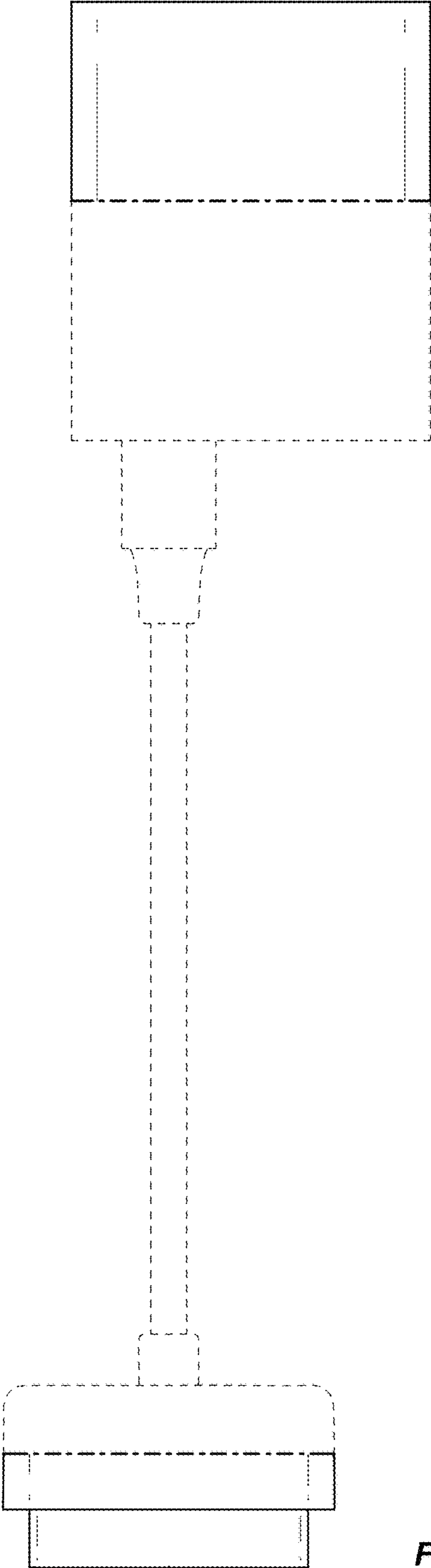


FIG. 8