



US00D814470S

(12) **United States Design Patent** (10) **Patent No.:** **US D814,470 S**  
**Chin et al.** (45) **Date of Patent:** **\*\* Apr. 3, 2018**

(54) **IMAGING DEVICE**

H04N 1/1938; H04N 1/19505; H04N 1/0083; H04N 1/2032; H04N 2201/0013; H04N

(71) Applicant: **Hewlett-Packard Development Company, L.P.**, Houston, TX (US)

(Continued)

(72) Inventors: **Chung Chiet Edwin Chin**, Singapore (SG); **Jing Zhang**, Shanghai (CN); **Ki Jung Han**, Vancouver, WA (US); **Chun Long Goh**, Singapore (SG)

(56) **References Cited**

U.S. PATENT DOCUMENTS

D537,866 S \* 3/2007 Matsuda ..... D18/39  
D555,194 S \* 11/2007 Smith ..... D18/55

(Continued)

(73) Assignee: **Hewlett-Packard Development Company, L.P.**, Houston, TX (US)

*Primary Examiner* — Susan Moon Lee

(\*\*) Term: **15 Years**

(74) *Attorney, Agent, or Firm* — Morgan Lewis & Bockius LLP

(21) Appl. No.: **29/552,564**

(22) Filed: **Jan. 22, 2016**

(57) **CLAIM**

(51) **LOC (11) Cl.** ..... **14-02**

The ornamental design for an imaging device, as shown and described.

(52) **U.S. Cl.**

USPC ..... **D14/421**

(58) **Field of Classification Search**

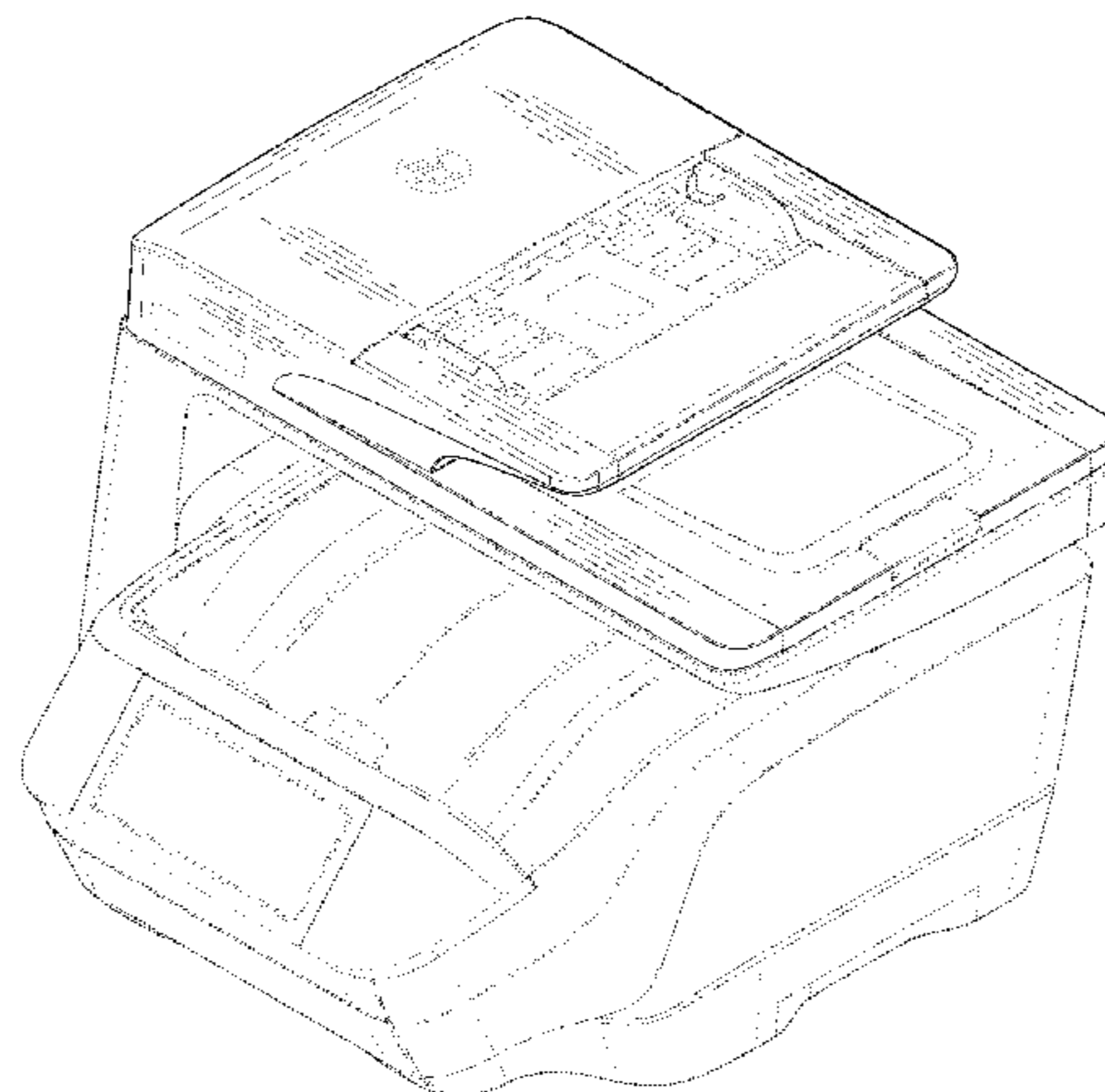
**DESCRIPTION**

USPC ..... D14/421-425; D18/55, 49, 46, 40, D18/36-39, 41, 44, 45, 47, 48, 50-54, D18/56; 235/462, 455, 470, 462.43, 482, 235/483; 358/474, 486, 488, 496, 497, 358/498, 452, 449, 451, 453, 1.13, 471, 358/401, 377; 318/685, 696; 355/81, 75; 399/405, 367, 379, 380, 377; 382/217; 715/209, 222, 226, 274; 400/613, 400/613.1-613.4, 690.1-690.4, 691-694  
CPC ..... H04N 1/00; H04N 1/12; H04N 1/00013; H04N 1/00015; H04N 1/00018; H04N 1/00026; H04N 1/00557; H04N 1/00564; H04N 1/00567; H04N 1/0057; H04N 1/00572; H04N 1/00586; H04N 1/00588; H04N 1/00591; H04N 1/00594; H04N 1/00596; H04N 1/00604; H04N 1/00519; H04N 1/00559; H04N 1/1013; H04N 1/10; H04N 1/00551; H04N 1/00278; H04N 2201/0456; H04N 2201/0446; H04N 2201/00; H04N 2201/0094; H04N 1/1008; H04N 1/017; H04N 1/1065; H04N 1/107; H04N 1/192; H04N 1/193;

FIG. 1 is a front, left, top, perspective view of an imaging device showing our new design;  
FIG. 2 is a front, right, top, perspective view of the imaging device shown in FIG. 1;  
FIG. 3 is a front elevational view of the imaging device shown in FIG. 1;  
FIG. 4 is a rear elevational view of the imaging device shown in FIG. 1;  
FIG. 5 is a left-side elevational view of the imaging device shown in FIG. 1;  
FIG. 6 is a right-side elevational view of the imaging device shown in FIG. 1;  
FIG. 7 is a top plan view of the imaging device shown in FIG. 1; and,  
FIG. 8 is a bottom plan view of the imaging device shown in FIG. 1.

The broken lines shown in the drawings represent portions of the imaging device that form no part of the claimed design.

**1 Claim, 8 Drawing Sheets**



(58) **Field of Classification Search**

CPC ..... 2201/0063; H04N 2201/0081; H04N  
 2201/0082; H04N 2201/0086; H04N  
 2201/0434; G03G 15/0142; G03G  
 15/605; G03G 15/602; G03G 15/607;  
 G03G 15/65; B65H 5/26; B65H 5/30;  
 B65H 5/36; B65H 7/00; B65H 2402/515;  
 B65H 2402/31; B65H 2511/20; B65H  
 2511/414; B65H 2513/42; B65H 2801/39;  
 B65H 2801/31; B65H 2215/00189; B65H  
 2215/00194; B65H 2215/00198; B65H  
 2215/00202; B65H 2215/00206; B65H  
 2215/20; B65H 2301/00; B65H 2220/04;  
 B65H 3/5261; B65H 2402/30; B65H  
 2402/32-2402/34; B65H 2402/40; B65H  
 2402/44; B65H 2402/341; B65H 9/08;  
 B65H 31/02

See application file for complete search history.

(56)

**References Cited**

U.S. PATENT DOCUMENTS

D556,256 S \* 11/2007 Matsumoto ..... D18/55  
 D558,824 S \* 1/2008 Alfonso ..... D18/55  
 D574,886 S \* 8/2008 Mase ..... D18/55  
 D575,330 S \* 8/2008 Egami ..... D18/55  
 D584,766 S \* 1/2009 Tani ..... D18/55  
 D586,384 S \* 2/2009 Yamaguchi ..... D18/55  
 D586,385 S \* 2/2009 Kim ..... D18/55  
 D596,226 S \* 7/2009 Yamaguchi ..... D18/55  
 D607,505 S \* 1/2010 Sasaki ..... D14/421  
 D622,762 S \* 8/2010 Egami ..... D18/55  
 D633,555 S \* 3/2011 Egami ..... D18/50  
 D633,556 S \* 3/2011 Park ..... D18/55  
 D665,012 S \* 8/2012 Saito ..... D18/39  
 8,379,278 B2 \* 2/2013 Kawai ..... H04N 1/00519  
 271/278  
 D680,162 S \* 4/2013 Goh ..... D14/421  
 D680,163 S \* 4/2013 Lim ..... D18/36  
 D696,341 S \* 12/2013 Yamada ..... D18/39  
 D699,725 S \* 2/2014 Sato ..... D14/421

D714,861 S \* 10/2014 Tsuruoka ..... D18/50  
 D718,313 S \* 11/2014 Goh ..... D14/421  
 D718,383 S \* 11/2014 Lo ..... D18/55  
 D724,140 S \* 3/2015 Nishimura ..... D18/50  
 D727,417 S \* 4/2015 Huang ..... D18/55  
 9,042,781 B2 \* 5/2015 Ito ..... H04N 1/00519  
 399/125  
 9,191,533 B2 \* 11/2015 Nishikawa ..... H04N 1/00519  
 D756,361 S \* 5/2016 Huang ..... D14/421  
 D763,353 S \* 8/2016 Cho ..... D18/56  
 D765,080 S \* 8/2016 Su ..... D14/421  
 D789,445 S \* 6/2017 Kanaoka ..... D18/39  
 D792,924 S \* 7/2017 Dwyer ..... D18/56  
 D799,595 S \* 10/2017 Han ..... D18/56  
 2006/0029424 A1 \* 2/2006 Kawai ..... B41J 29/02  
 399/125  
 2006/0088336 A1 \* 4/2006 Hirose ..... G03G 15/60  
 399/110  
 2007/0007716 A1 \* 1/2007 Tanaka ..... B65H 31/02  
 271/207  
 2008/0180760 A1 \* 7/2008 Andoh ..... H04N 1/00519  
 358/497  
 2008/0180762 A1 \* 7/2008 Andoh ..... H04N 1/00519  
 358/498  
 2008/0181695 A1 \* 7/2008 Andoh ..... G03G 15/6552  
 399/361  
 2008/0181698 A1 \* 7/2008 Andoh ..... G03G 15/6552  
 399/405  
 2008/0291501 A1 \* 11/2008 Shiraki ..... H04N 1/00522  
 358/401  
 2008/0317498 A1 \* 12/2008 Andoh ..... G03G 15/60  
 399/110  
 2009/0315253 A1 \* 12/2009 Osakabe ..... B65H 3/5223  
 271/121  
 2010/0014127 A1 \* 1/2010 Osakabe ..... H04N 1/00519  
 358/497  
 2010/0245948 A1 \* 9/2010 Takeuchi ..... H04N 1/0057  
 358/498  
 2011/0157662 A1 \* 6/2011 Kozaki ..... H04N 1/00557  
 358/488  
 2015/0249762 A1 \* 9/2015 Ishida ..... H04N 1/00713  
 358/497  
 2017/0067278 A1 \* 3/2017 Tomatsu ..... E05F 5/02

\* cited by examiner

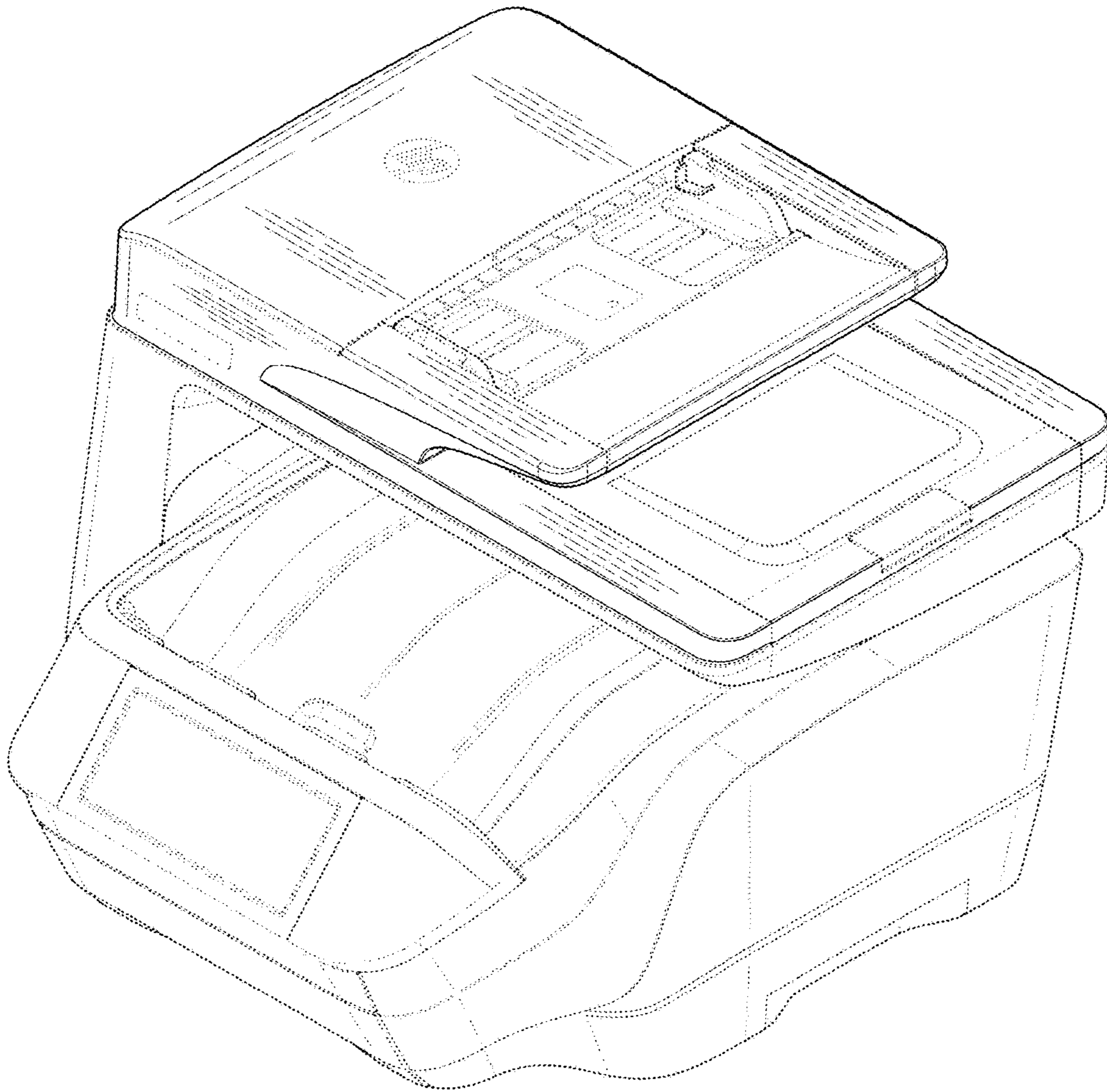


FIG. 1

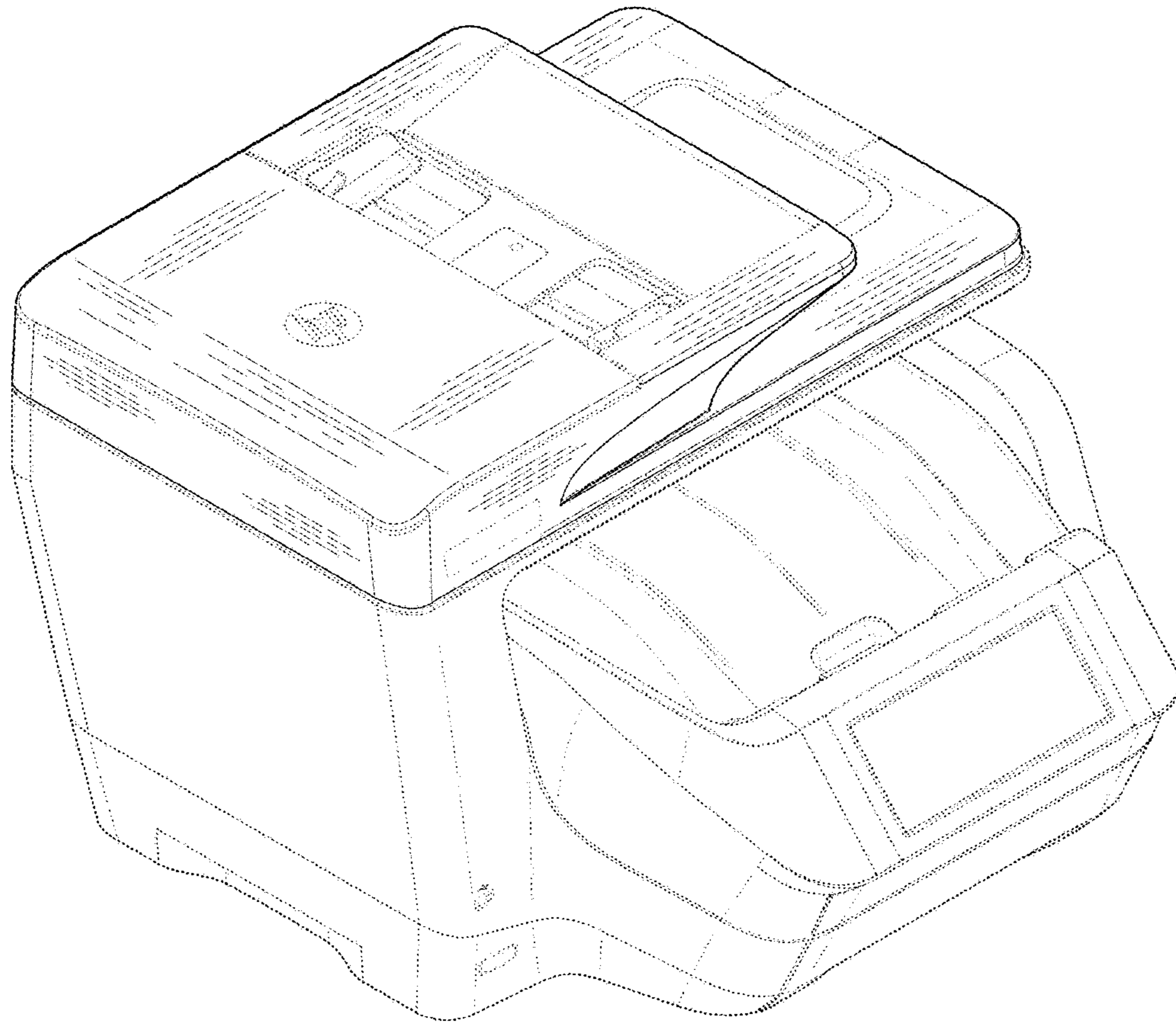


FIG. 2

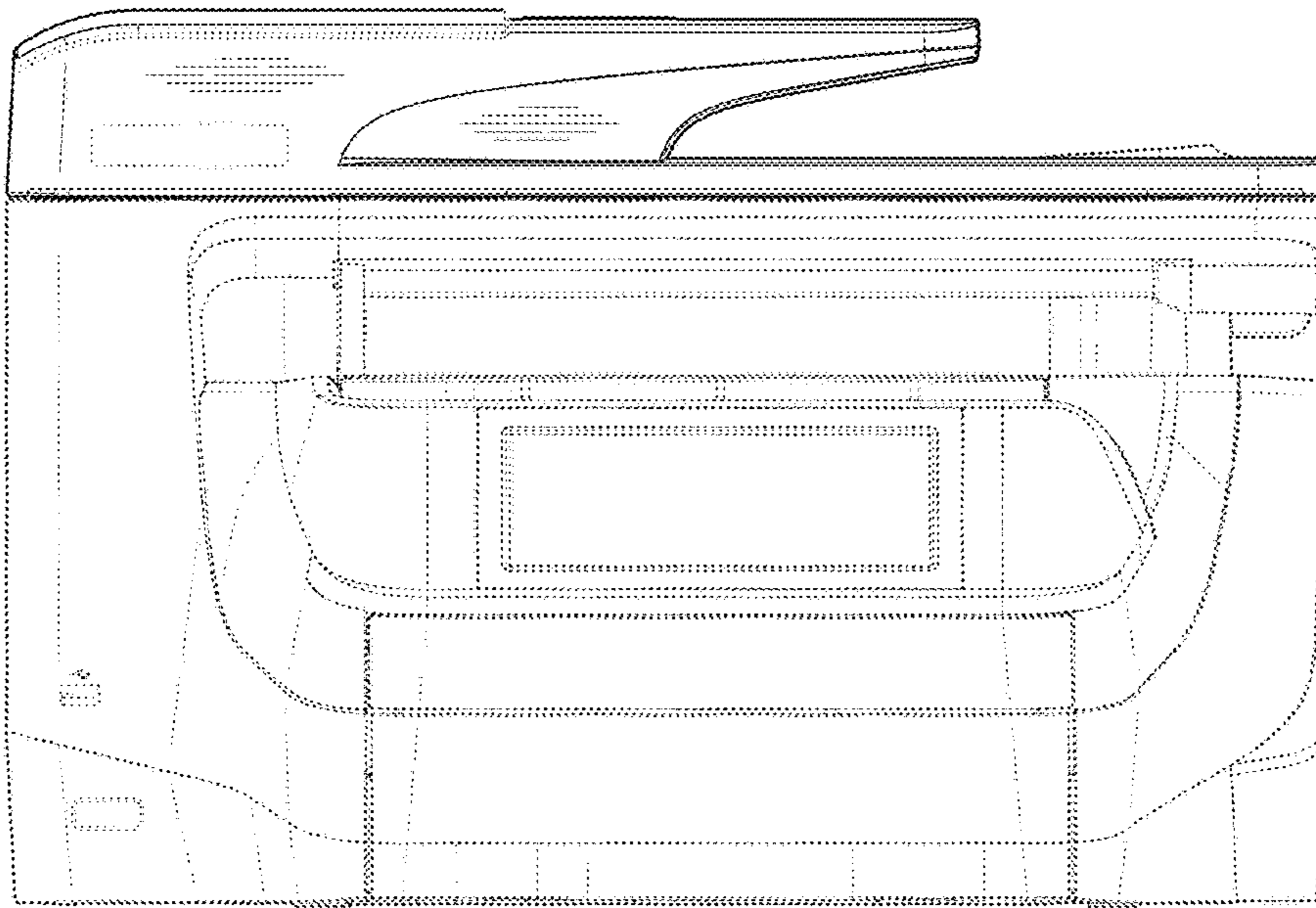


FIG. 3

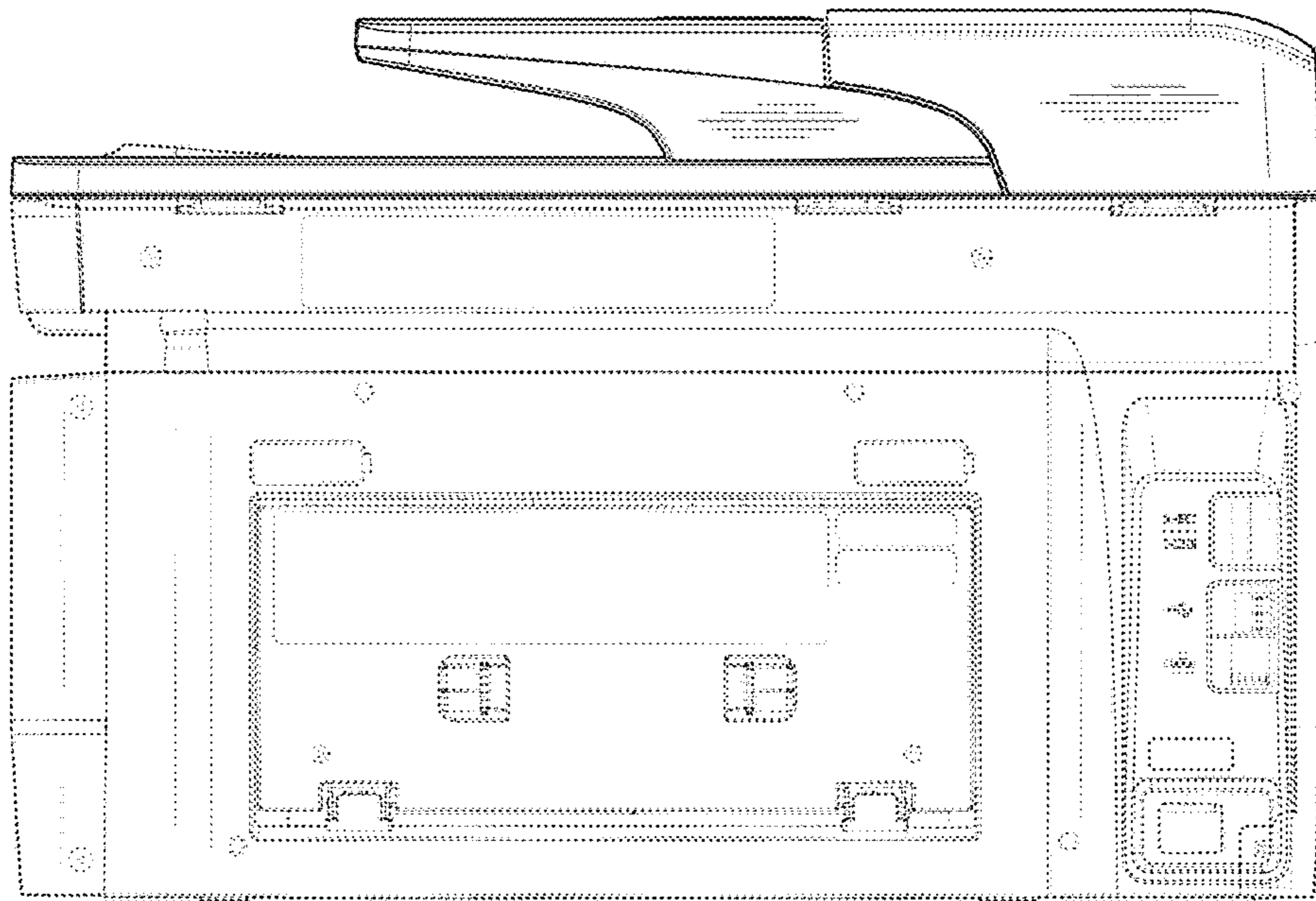


FIG. 4

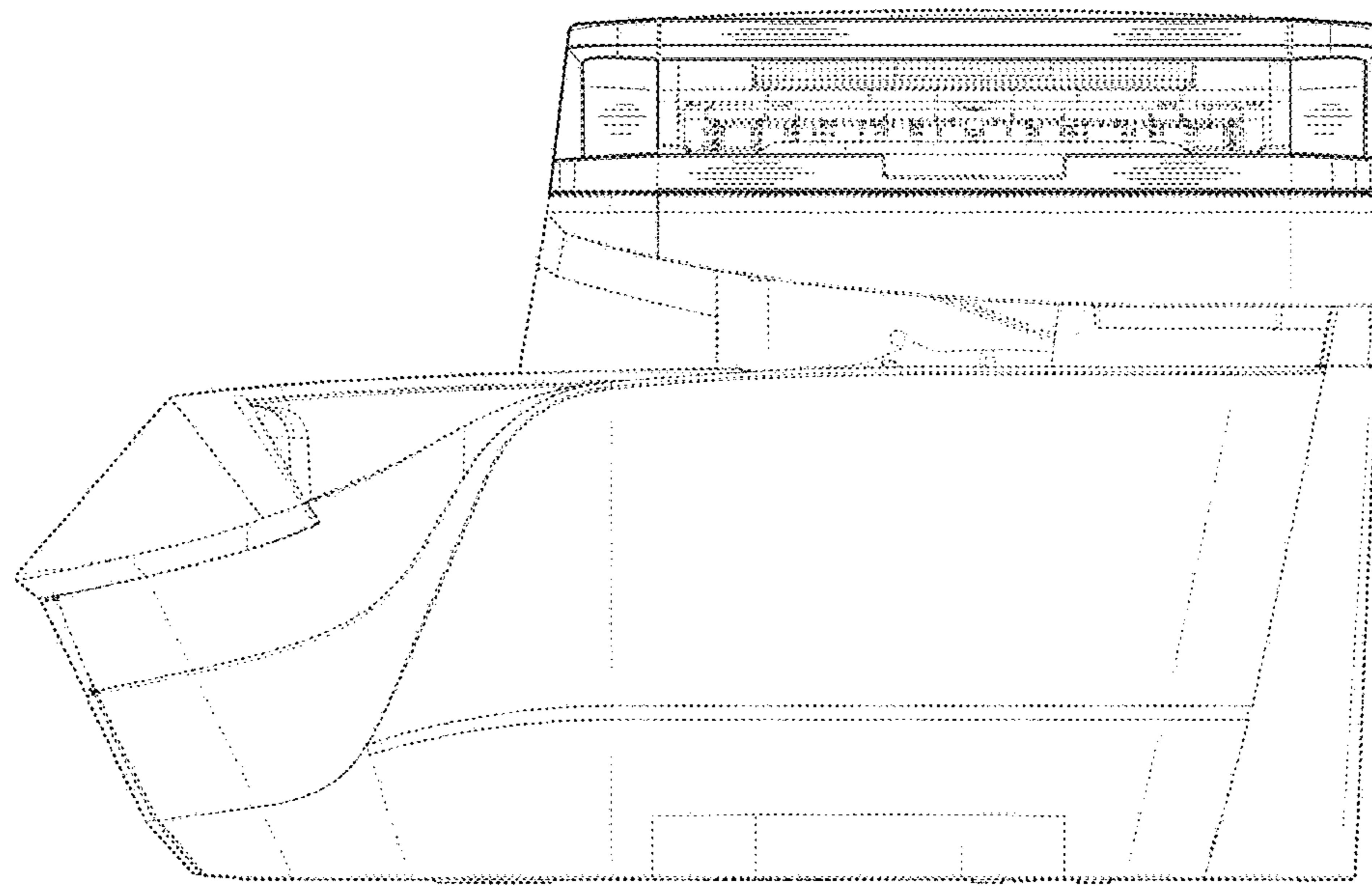


FIG. 5

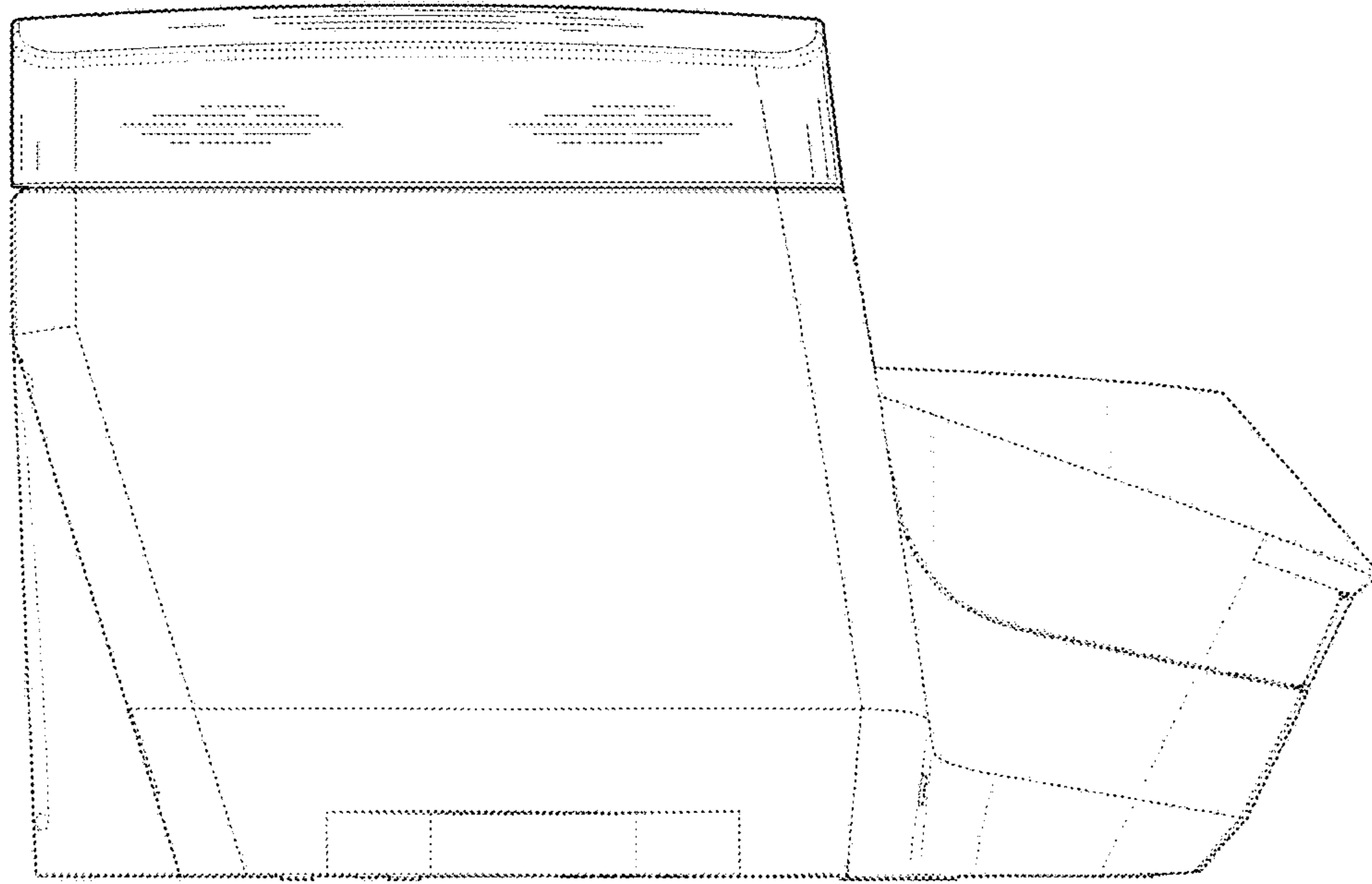


FIG. 6



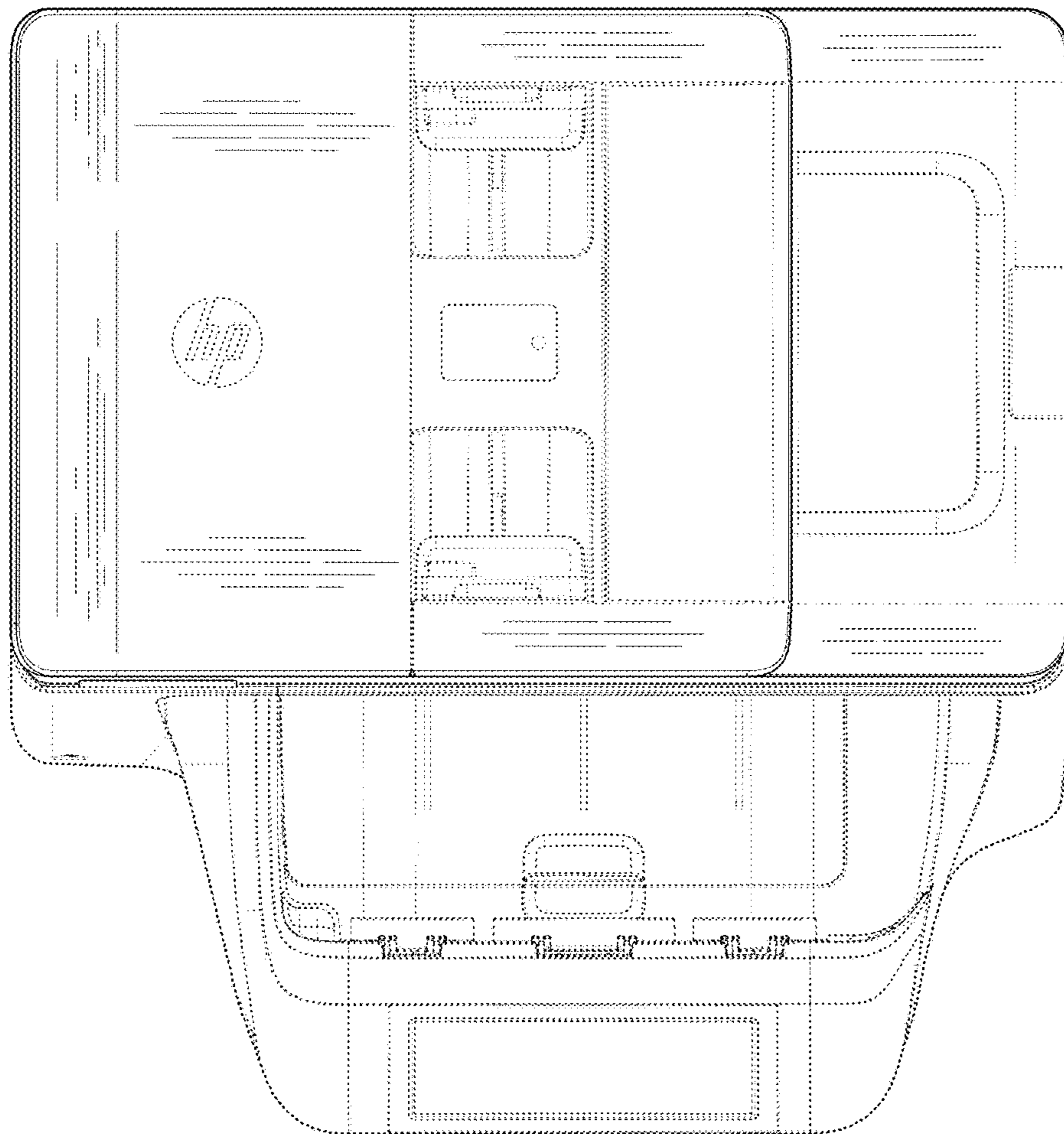


FIG. 7

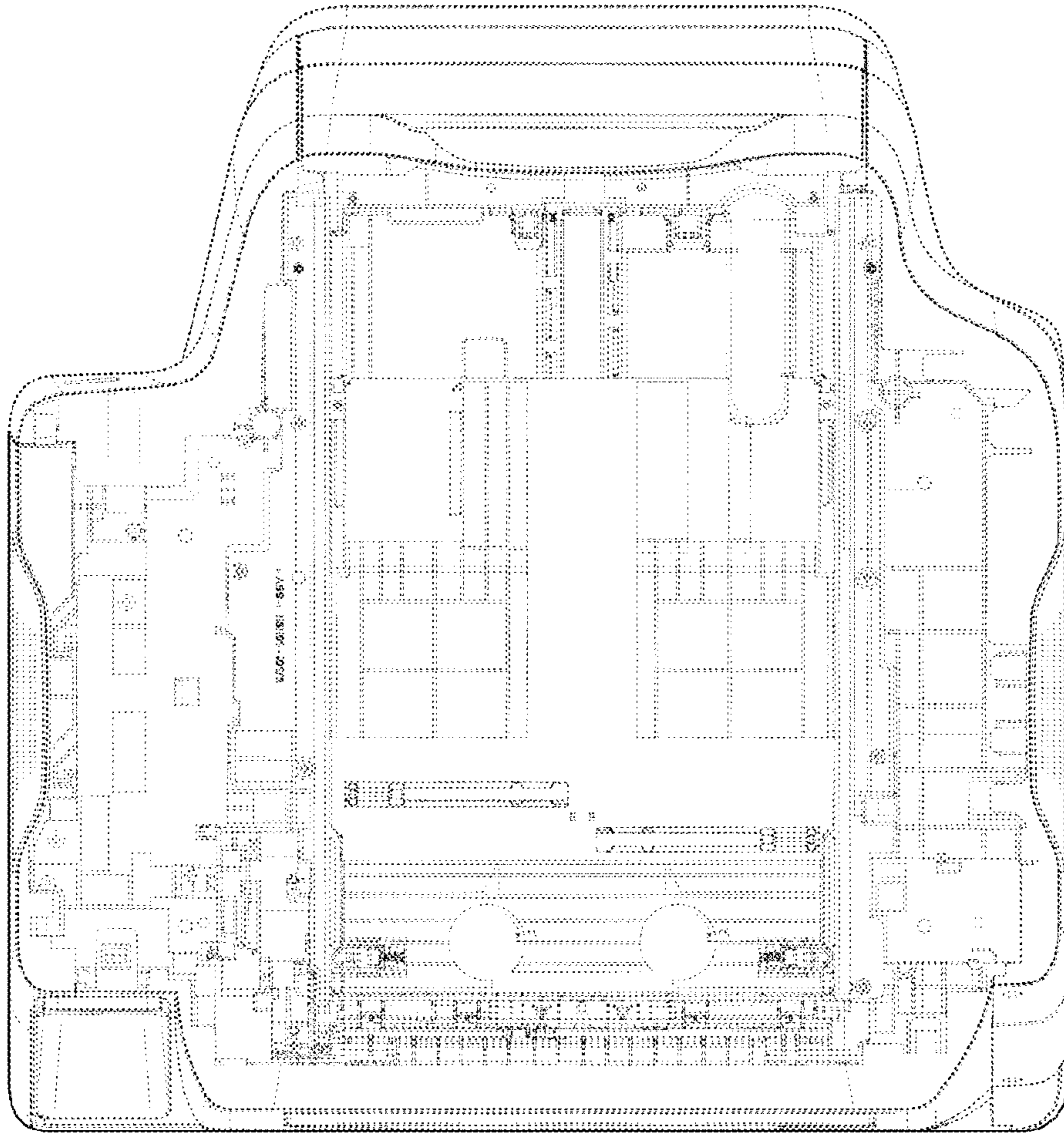


FIG. 8