



US00D814468S

(12) **United States Design Patent**
Long

(10) **Patent No.:** **US D814,468 S**

(45) **Date of Patent:** **** Apr. 3, 2018**

(54) **PORTABLE MINI CARD READER**

(71) Applicant: **SHENZHEN DEFTUN TECHNOLOGY CO., LTD**, Shenzhen (CN)

(72) Inventor: **Shengqing Long**, Shenzhen (CN)

(73) Assignee: **SHENZHEN DEFTUN TECHNOLOGY CO., LTD**, Shenzhen (CN)

(**) Term: **15 Years**

(21) Appl. No.: **29/603,307**

(22) Filed: **May 9, 2017**

(51) **LOC (11) Cl.** **14-02**

(52) **U.S. Cl.**
USPC **D14/385**

(58) **Field of Classification Search**
USPC D14/356-358, 383-385, 420, 426, 427, D14/432-439, 447, 453, 454, 217, 253, D14/299; D13/107, 108, 133, 146, 147, D13/152, 154, 156, 158, 162, 162.1, 168, D13/173, 177, 102; 235/441, 451, 492, 235/380, 439, 375; 361/679.31, 600, 361/679.01, 679.02
CPC G06Q 20/347; G06Q 20/322; G06Q 40/02; G06Q 30/06; G07F 7/0886
See application file for complete search history.

(56) **References Cited**

U.S. PATENT DOCUMENTS

D305,882 S * 2/1990 Kato D14/385
D558,765 S * 1/2008 Fidler D14/385

D578,121 S * 10/2008 Goto D14/385
D590,828 S * 4/2009 Sherrod D14/385
D607,000 S * 12/2009 Cheng D14/385
D628,576 S * 12/2010 Daniel D14/385
D667,403 S * 9/2012 Maus D13/107
D676,047 S * 2/2013 White D14/385
D702,688 S * 4/2014 Chu D14/434
D703,721 S * 4/2014 Hayashi D16/237
D746,540 S * 12/2015 Scott D14/385
D762,214 S * 7/2016 Nguyen D14/385
D768,630 S * 10/2016 Austin D14/385
D771,044 S * 11/2016 Nguyen D14/385
2013/0140363 A1 * 6/2013 Hart G07F 19/2055
235/449

* cited by examiner

Primary Examiner — Austin Murphy

(74) *Attorney, Agent, or Firm* — JiangIP LLC; Yanling Jiang

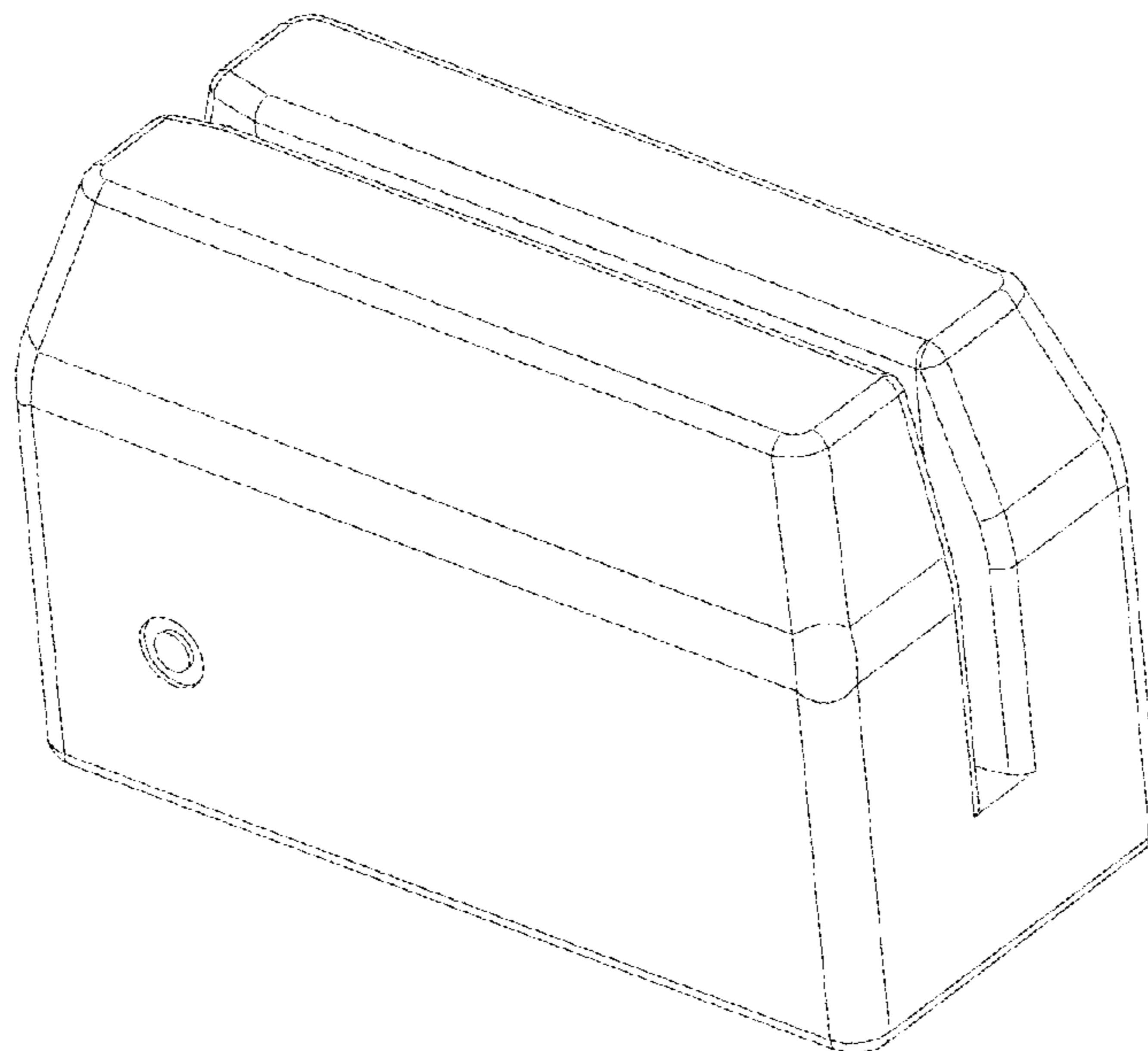
(57) **CLAIM**

The ornamental design for a portable mini card reader, as shown and described.

DESCRIPTION

FIG. 1 is a front view of a portable mini card reader.
FIG. 2 is a rear view of a portable mini card reader.
FIG. 3 is a top view of a portable mini card reader.
FIG. 4 is a bottom view of a portable mini card reader.
FIG. 5 is a side view of a portable mini card reader.
FIG. 6 is a side view of a portable mini card reader; and,
FIG. 7 is a perspective view showing a portable mini card reader.

1 Claim, 7 Drawing Sheets



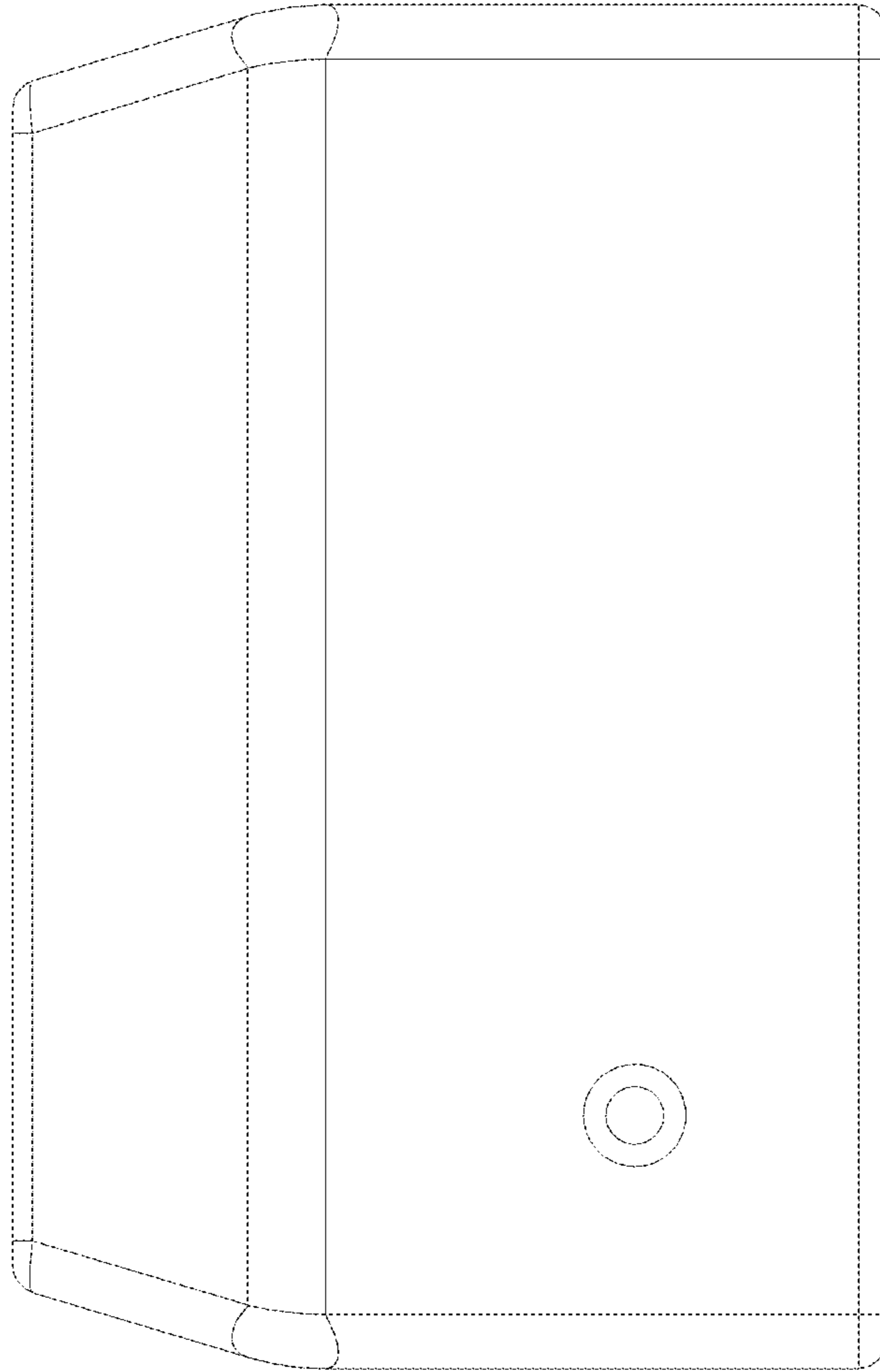


Fig. 1

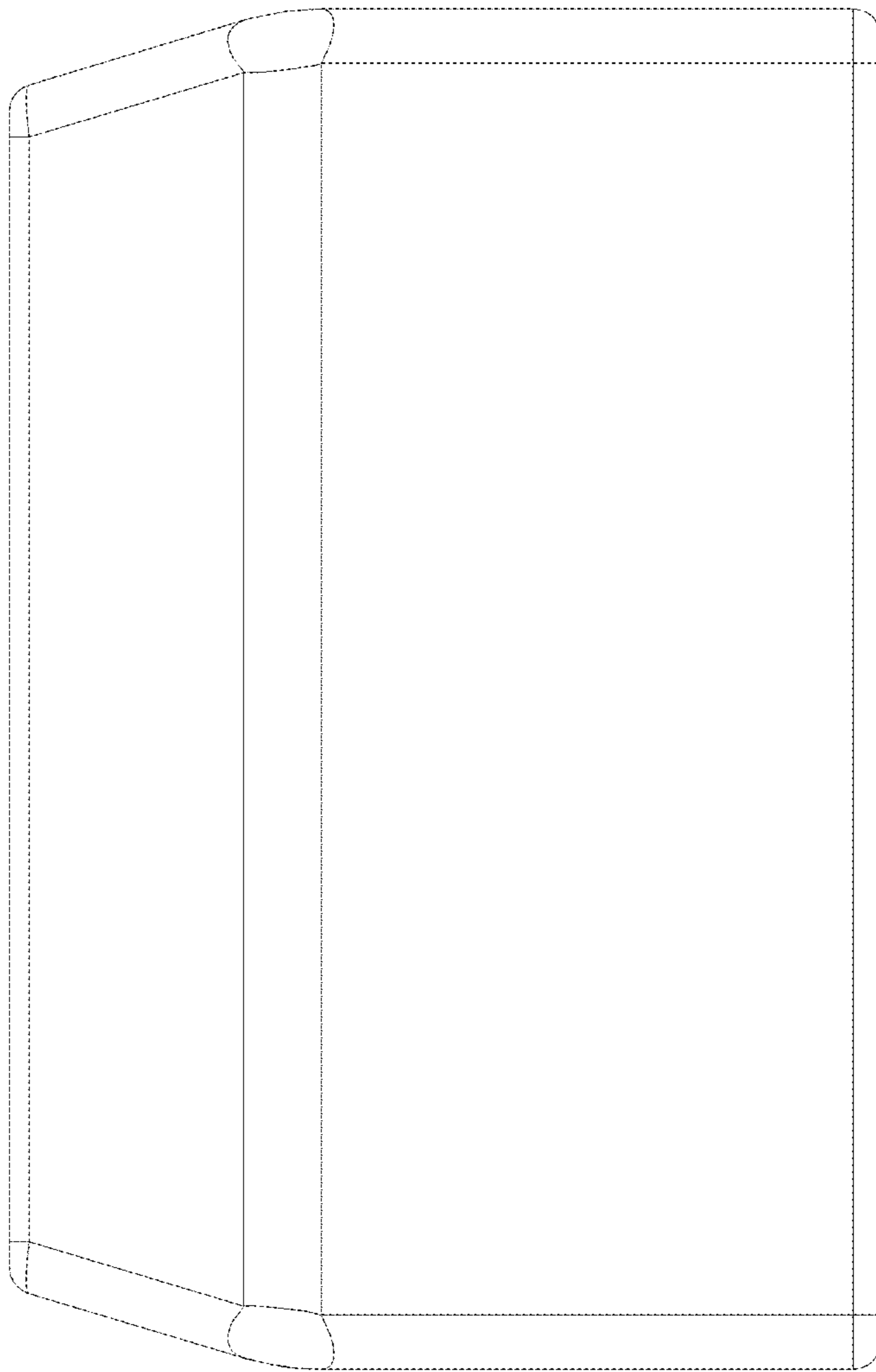


Fig. 2

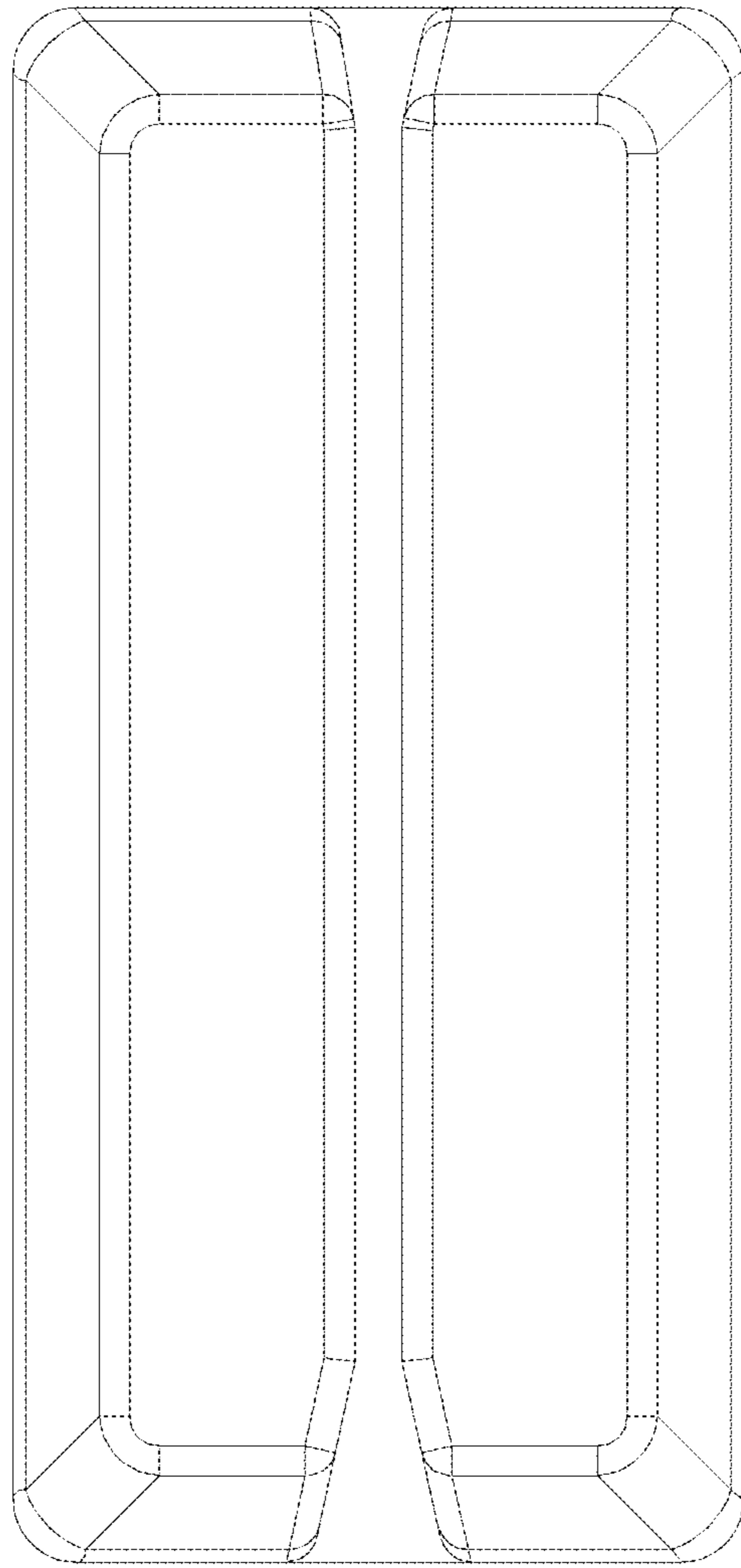


Fig. 3

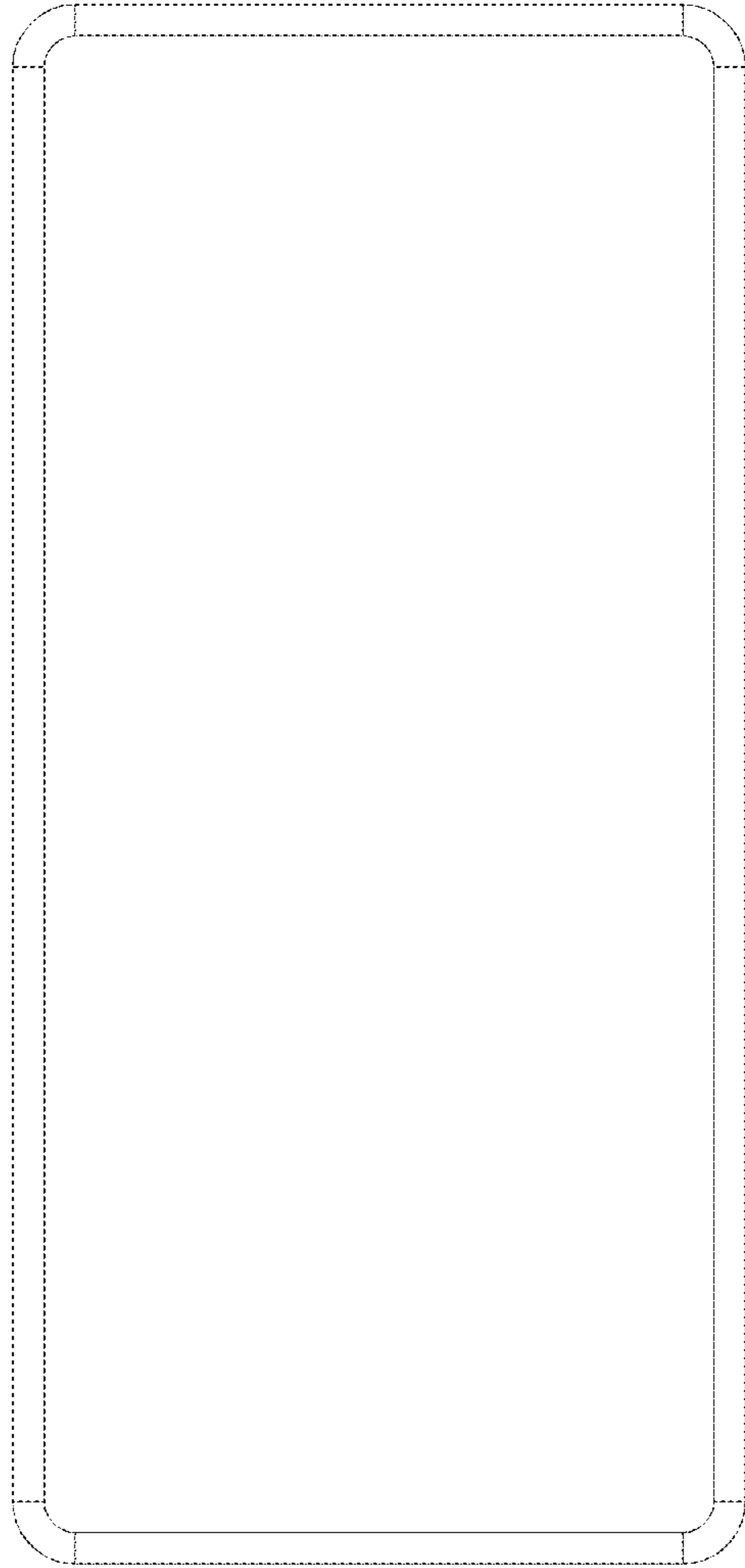


Fig. 4

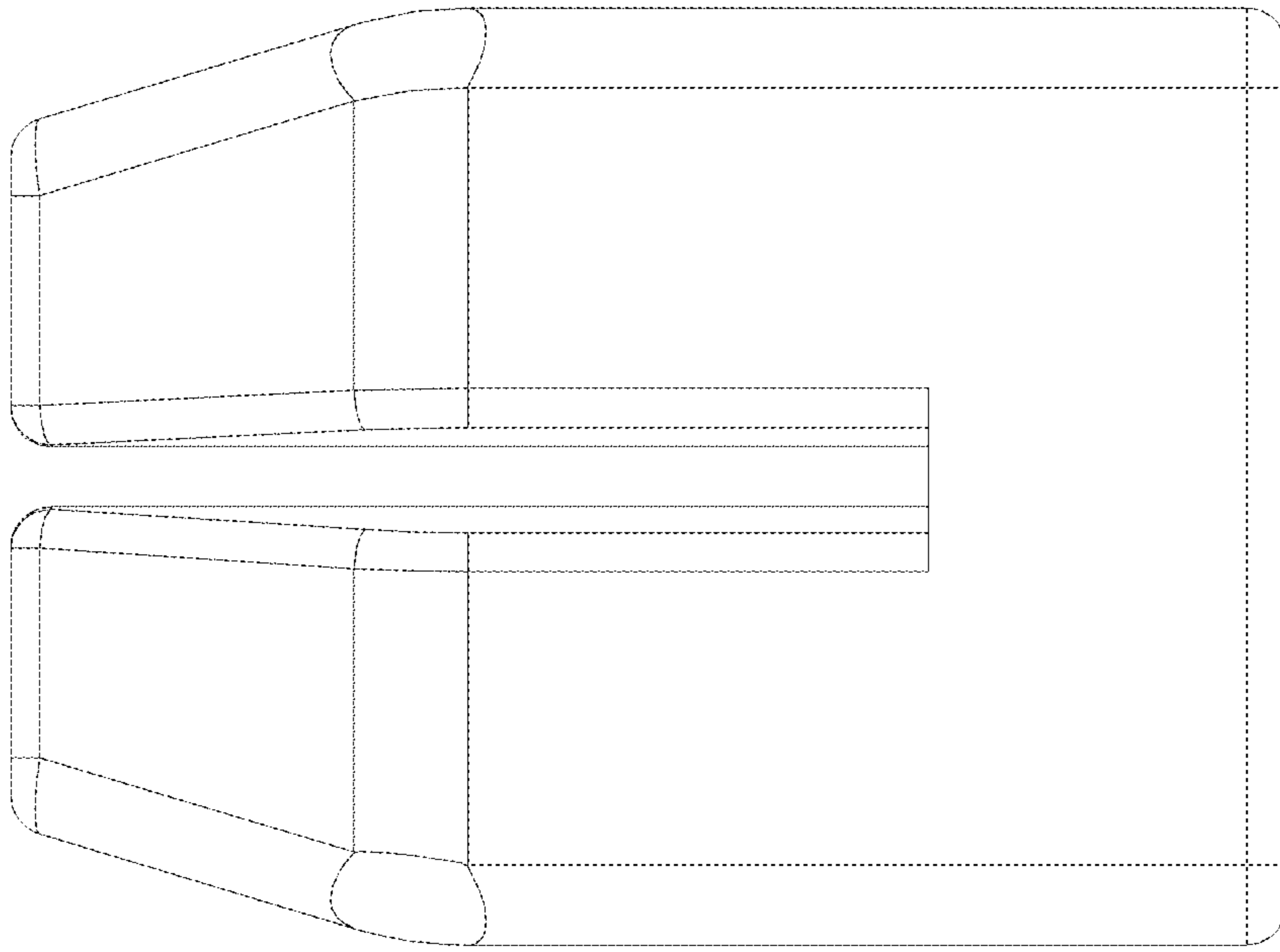


Fig. 5

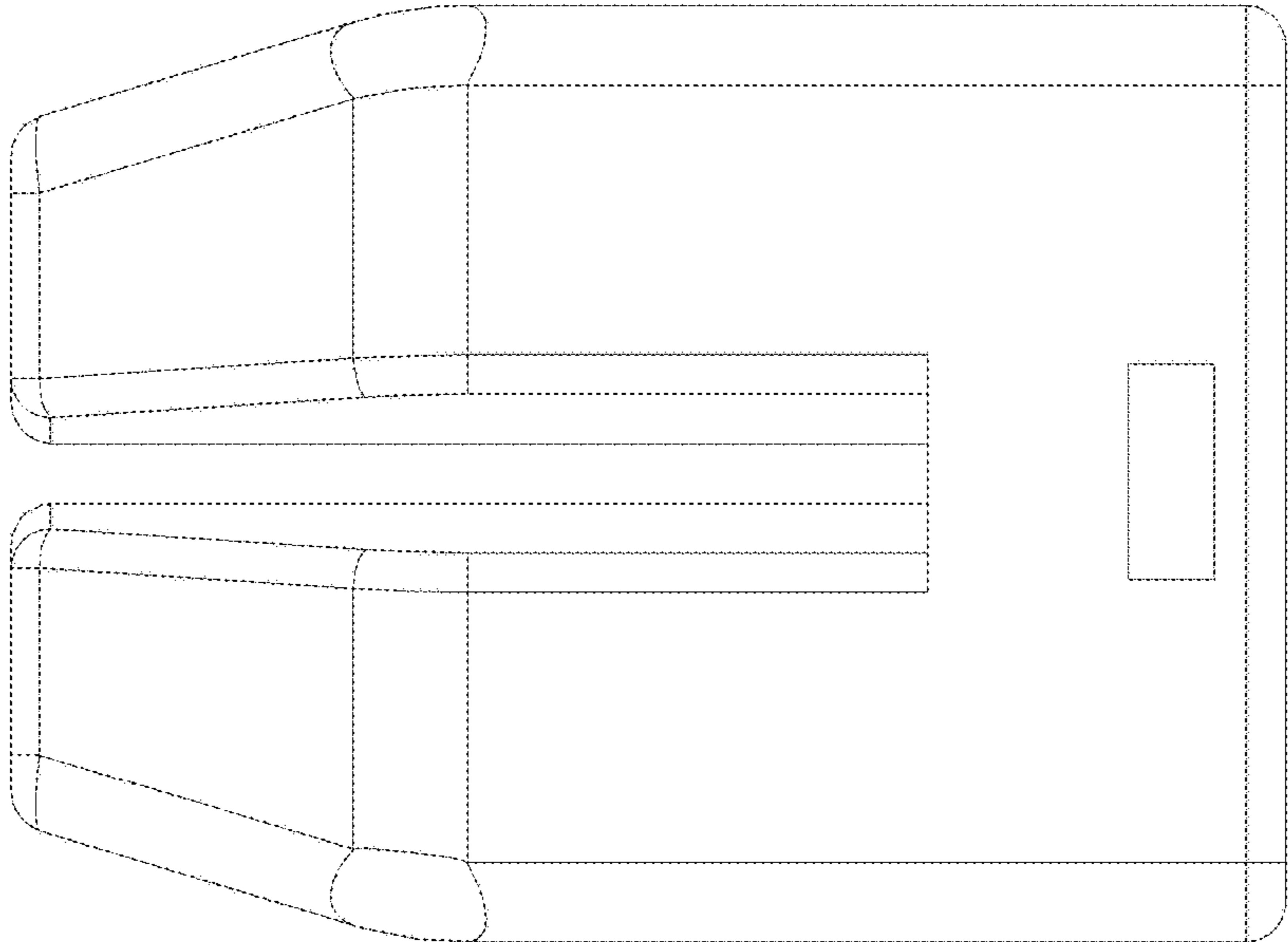


Fig. 6

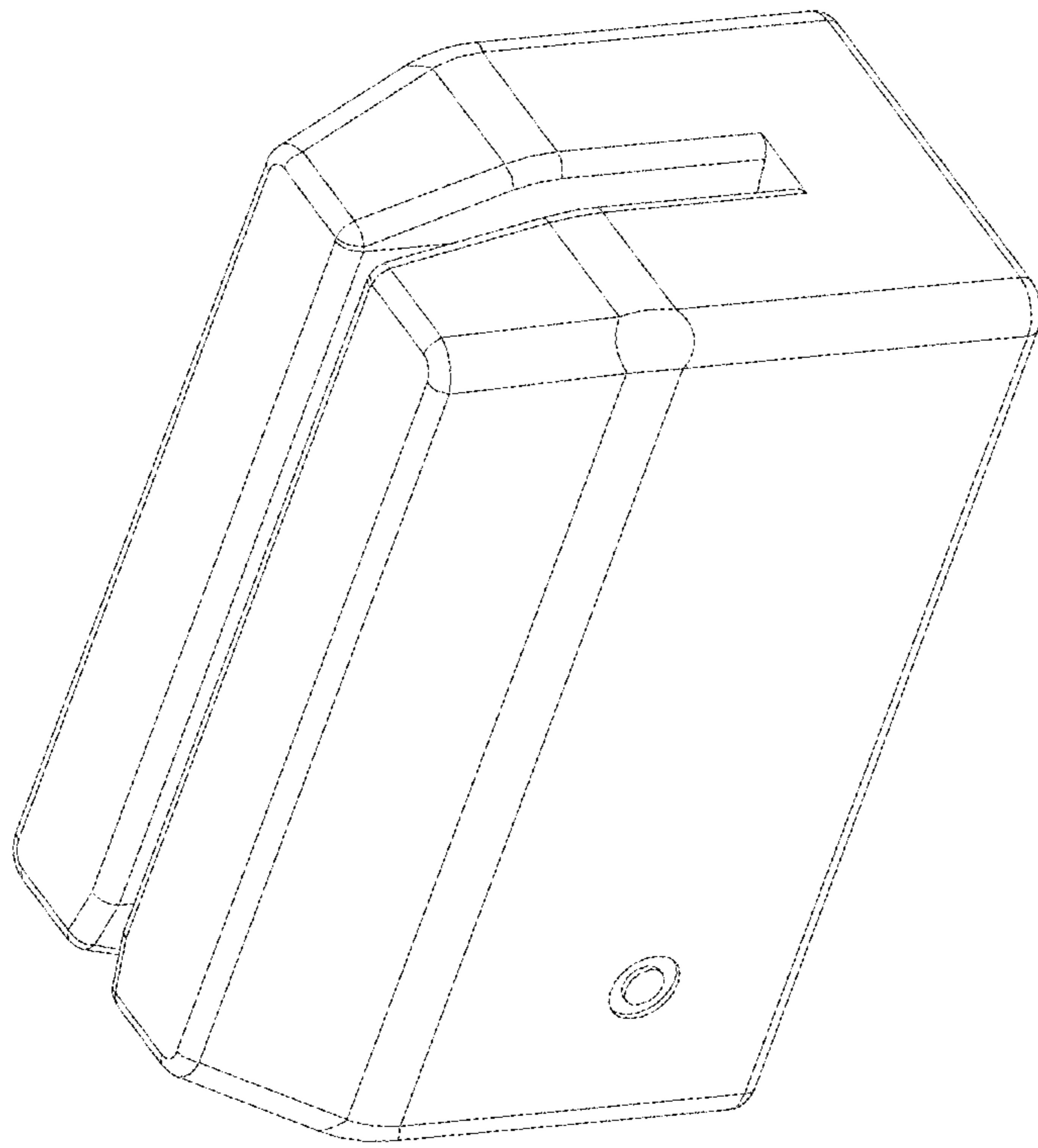


Fig. 7