



US00D814467S

(12) **United States Design Patent**  
**Long**

(10) **Patent No.:** **US D814,467 S**

(45) **Date of Patent:** **\*\* Apr. 3, 2018**

(54) **PORTABLE CARD READER**

(71) Applicant: **SHENZHEN DEFTUN TECHNOLOGY CO., LTD**, Shenzhen (CN)

(72) Inventor: **Shengqing Long**, Shenzhen (CN)

(73) Assignee: **SHENZHEN DEFTUN TECHNOLOGY CO., LTD.**, Shenzhen (CN)

(\*\*) Term: **15 Years**

(21) Appl. No.: **29/603,306**

(22) Filed: **May 9, 2017**

(51) **LOC (11) Cl.** ..... **14-02**

(52) **U.S. Cl.**  
USPC ..... **D14/385**

(58) **Field of Classification Search**  
USPC ..... D14/356–358, 383–385, 420, 426, 427, D14/432–439, 447, 453, 454, 217, 253, D14/299; D13/107, 108, 133, 146, 147, D13/152, 154, 156, 158, 162, 162.1, 168, D13/173, 177, 102; 235/441, 451, 492, 235/380, 439, 375; 361/679.31, 600, 361/679.01, 679.02

CPC .... G06Q 20/347; G06Q 20/322; G06Q 40/02; G06Q 30/06; G07F 7/0886

See application file for complete search history.

(56) **References Cited**

**U.S. PATENT DOCUMENTS**

D305,882 S \* 2/1990 Kato ..... D14/385  
D558,765 S \* 1/2008 Fidler ..... D14/385

D578,121 S \* 10/2008 Goto ..... D14/385  
D590,828 S \* 4/2009 Sherrod ..... D14/385  
D607,000 S \* 12/2009 Cheng ..... D14/385  
D628,576 S \* 12/2010 Daniel ..... D14/385  
D667,403 S \* 9/2012 Maus ..... D13/107  
D676,047 S \* 2/2013 White ..... D14/385  
D702,688 S \* 4/2014 Chu ..... D14/434  
D703,721 S \* 4/2014 Hayashi ..... D16/237  
D746,540 S \* 12/2015 Scott ..... D14/385  
D762,214 S \* 7/2016 Nguyen ..... D14/385  
D768,630 S \* 10/2016 Austin ..... D14/385  
D771,044 S \* 11/2016 Nguyen ..... D14/385  
2013/0140363 A1 \* 6/2013 Hart ..... G07F 19/2055  
235/449

\* cited by examiner

*Primary Examiner* — Austin Murphy

(74) *Attorney, Agent, or Firm* — JiangIP LLC; Yanling Jiang

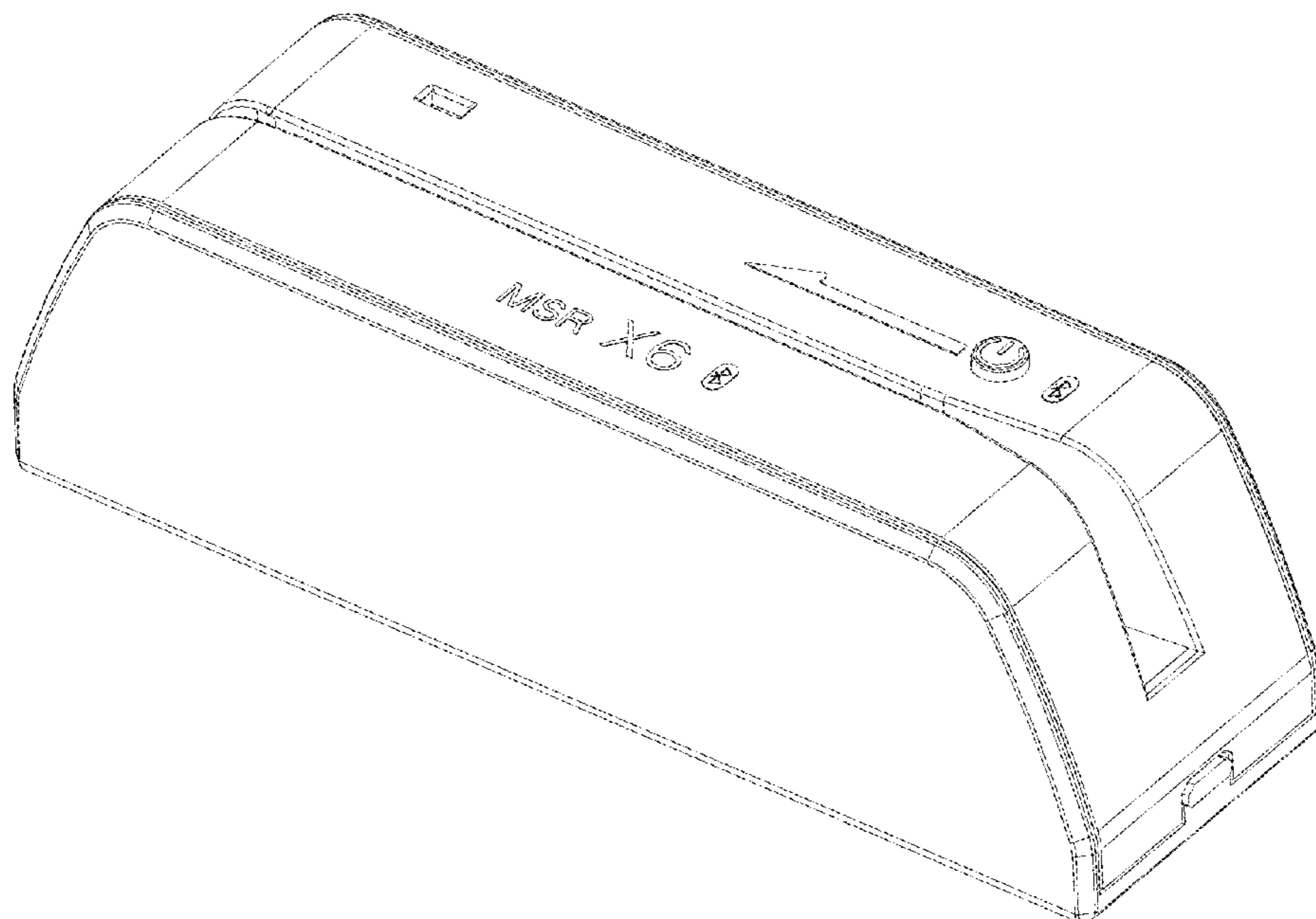
(57) **CLAIM**

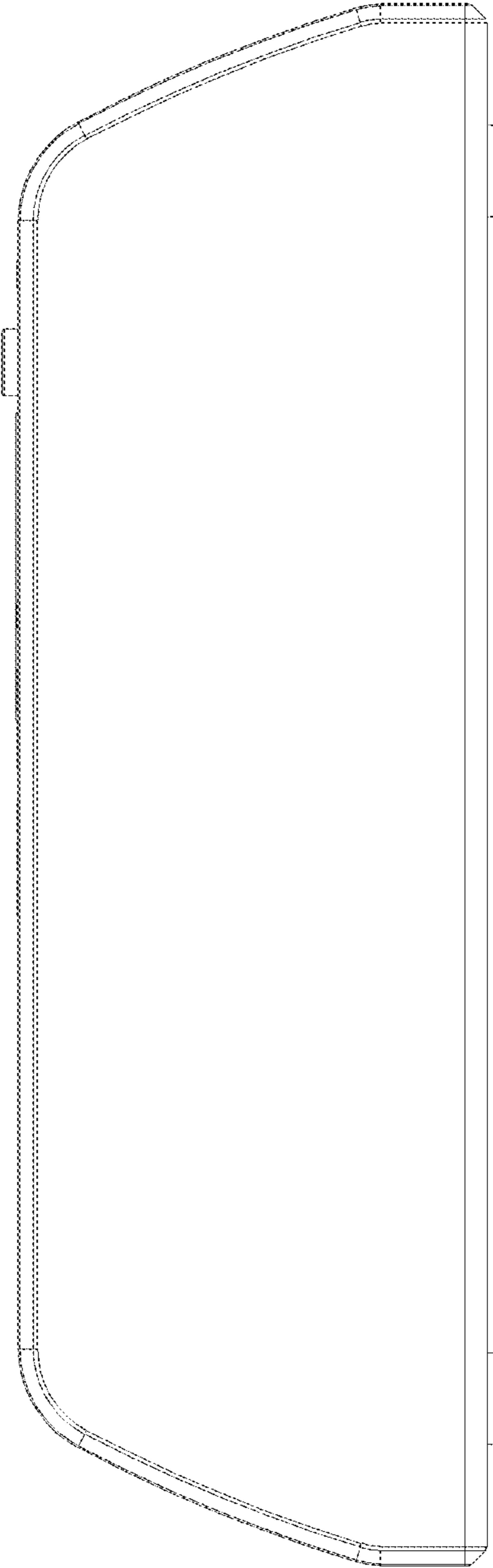
The ornamental design for a portable card reader, as shown and described.

**DESCRIPTION**

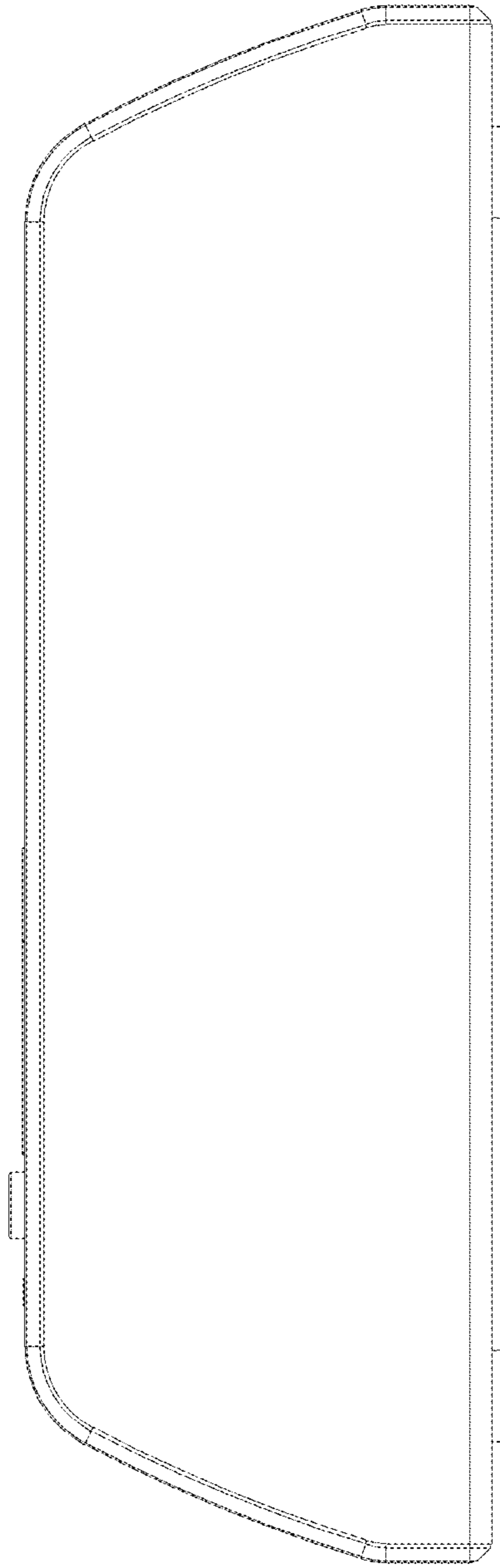
FIG. 1 is a front view of a portable card reader.  
FIG. 2 is a rear view of a portable card reader.  
FIG. 3 is a top view of a portable card reader.  
FIG. 4 is a bottom view of a portable card reader.  
FIG. 5 is a side view of a portable card reader.  
FIG. 6 is a side view of a portable card reader; and,  
FIG. 7 is a perspective view showing a portable card reader.

**1 Claim, 7 Drawing Sheets**





**Fig. 1**



**Fig. 2**

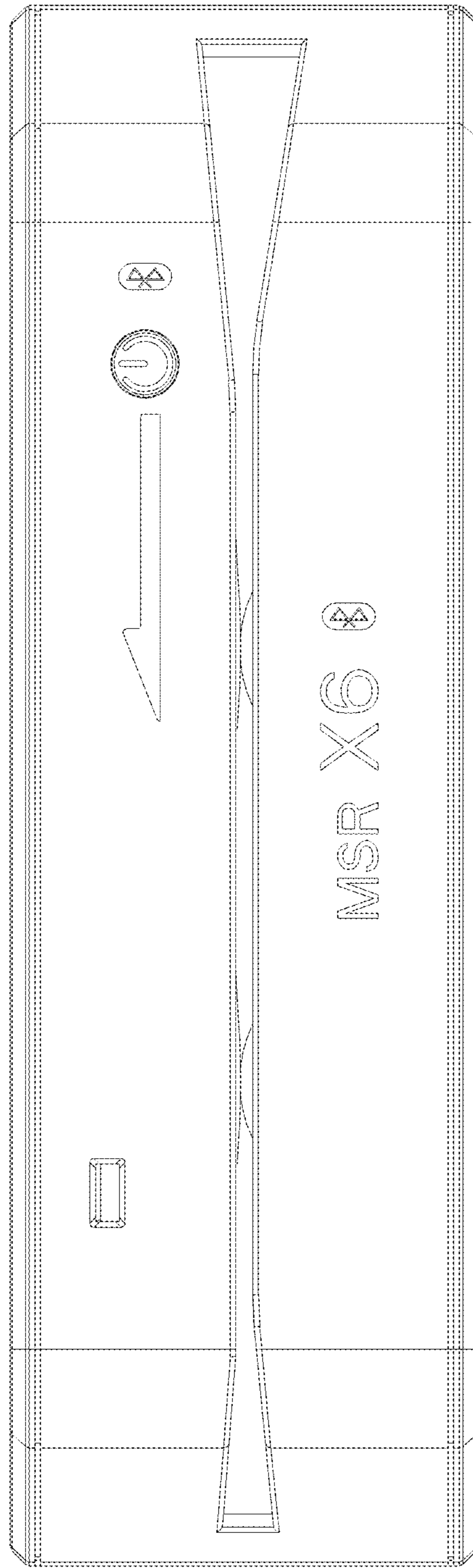
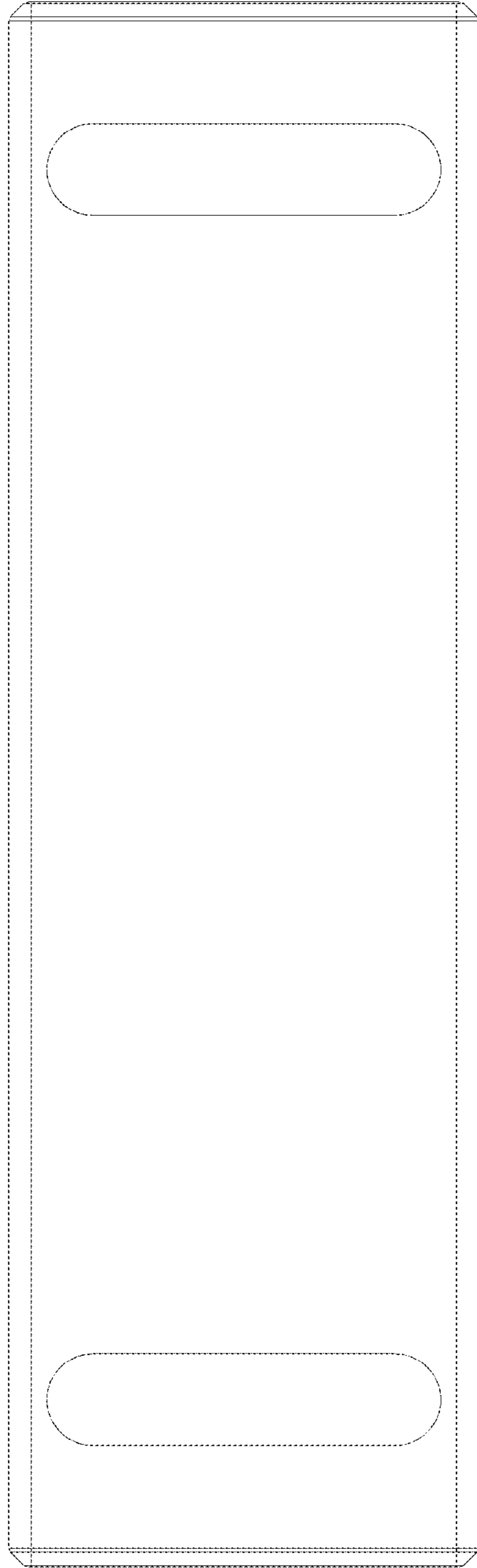


Fig. 3



**Fig. 4**

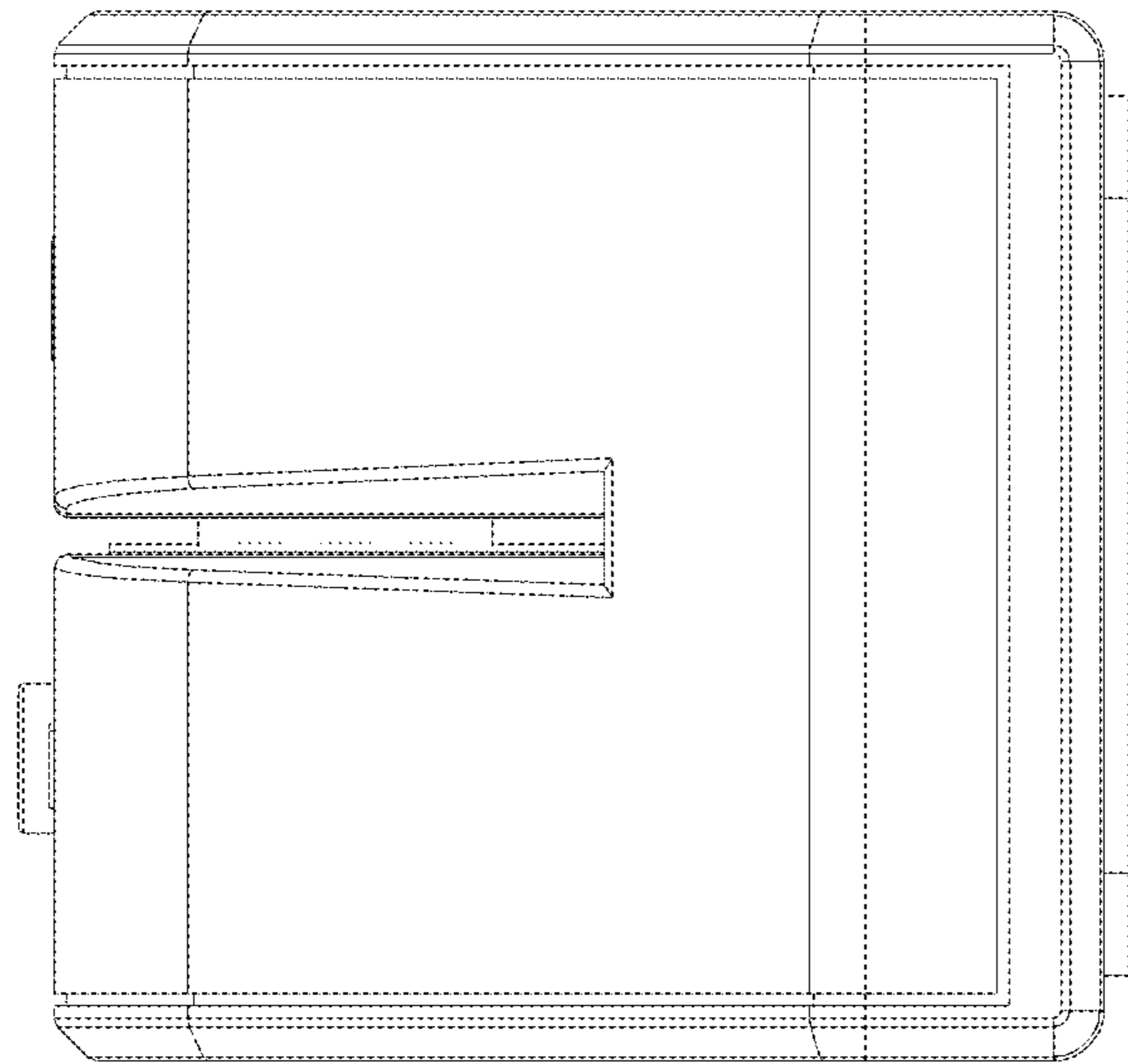


Fig. 5

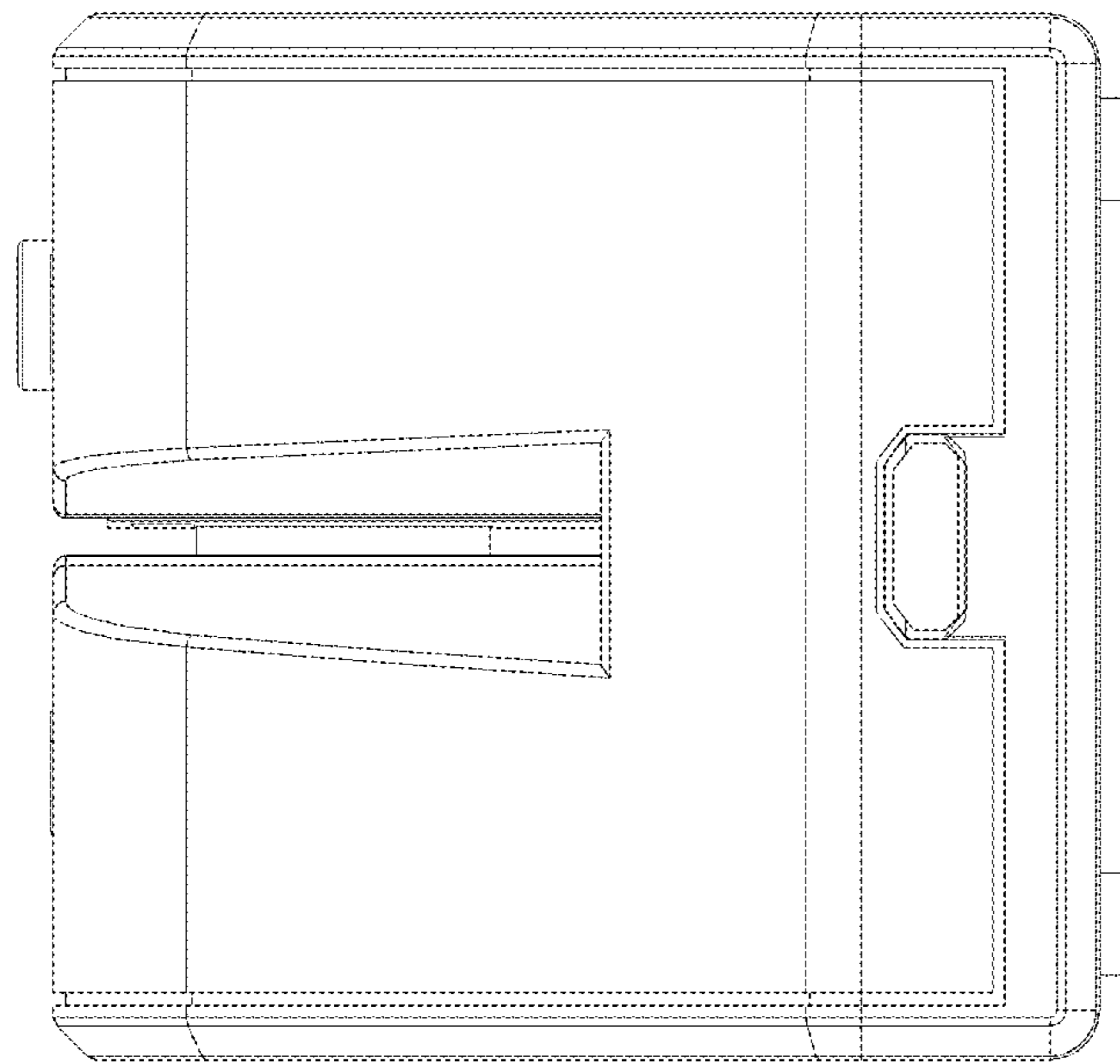


Fig. 6



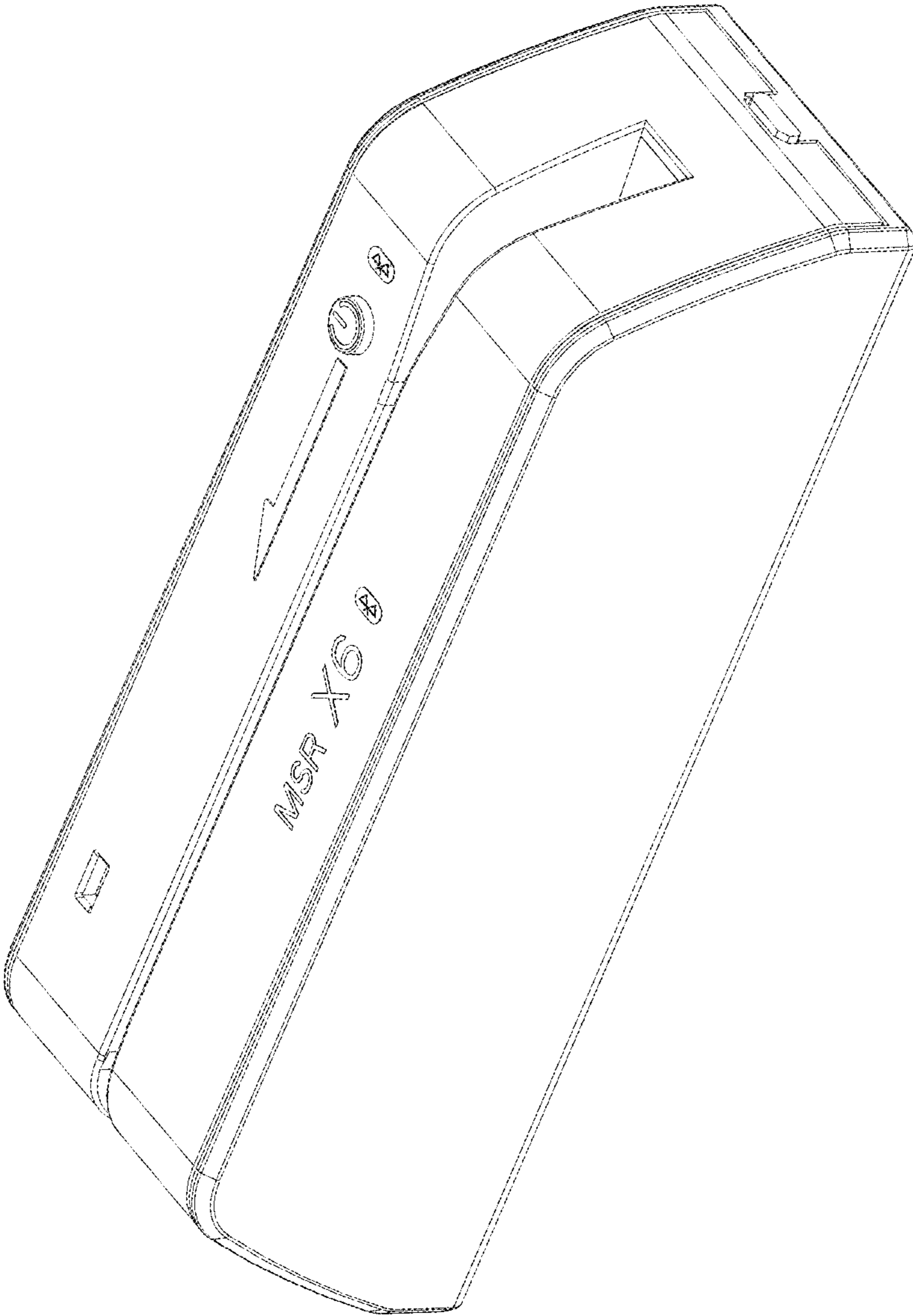


Fig. 7