



US00D814461S

(12) **United States Design Patent** (10) **Patent No.:** **US D814,461 S**
Latto et al. (45) **Date of Patent:** **** Apr. 3, 2018**

(54) **INFORMATION HANDLING SYSTEM HOUSING**

(71) Applicant: **Dell Products L.P.**, Round Rock, TX (US)

(72) Inventors: **Antonio T. Latto**, Austin, TX (US); **Andrew O. Ingalls**, Round Rock, TX (US); **Joseph E. Jasinki**, Austin, TX (US); **Edward D. Geist**, Austin, TX (US); **Arnold T. Schnell**, Hutto, TX (US); **Nick Poteracki**, Austin, TX (US); **Matthew C. Grossman**, Austin, TX (US); **Daniel A. Phipps**, Round Rock, TX (US)

(73) Assignee: **Dell Products L.P.**, Round Rock, TX (US)

(**) Term: **15 Years**

(21) Appl. No.: **29/591,656**

(22) Filed: **Jan. 23, 2017**

(51) **LOC (11) Cl.** **14-02**

(52) **U.S. Cl.**
USPC **D14/349**

(58) **Field of Classification Search**
USPC D14/240, 300, 301, 308, 313, 314,
D14/348-356, 364-368, 441-446, 188;
(Continued)

(56) **References Cited**

U.S. PATENT DOCUMENTS

D323,822 S * 2/1992 Fujihara D14/125
D334,737 S * 4/1993 Landry D14/350
(Continued)

Primary Examiner — Freda S Nunn

(74) *Attorney, Agent, or Firm* — Terrile, Cannatti, Chambers & Holland, LLP; Robert W. Holland

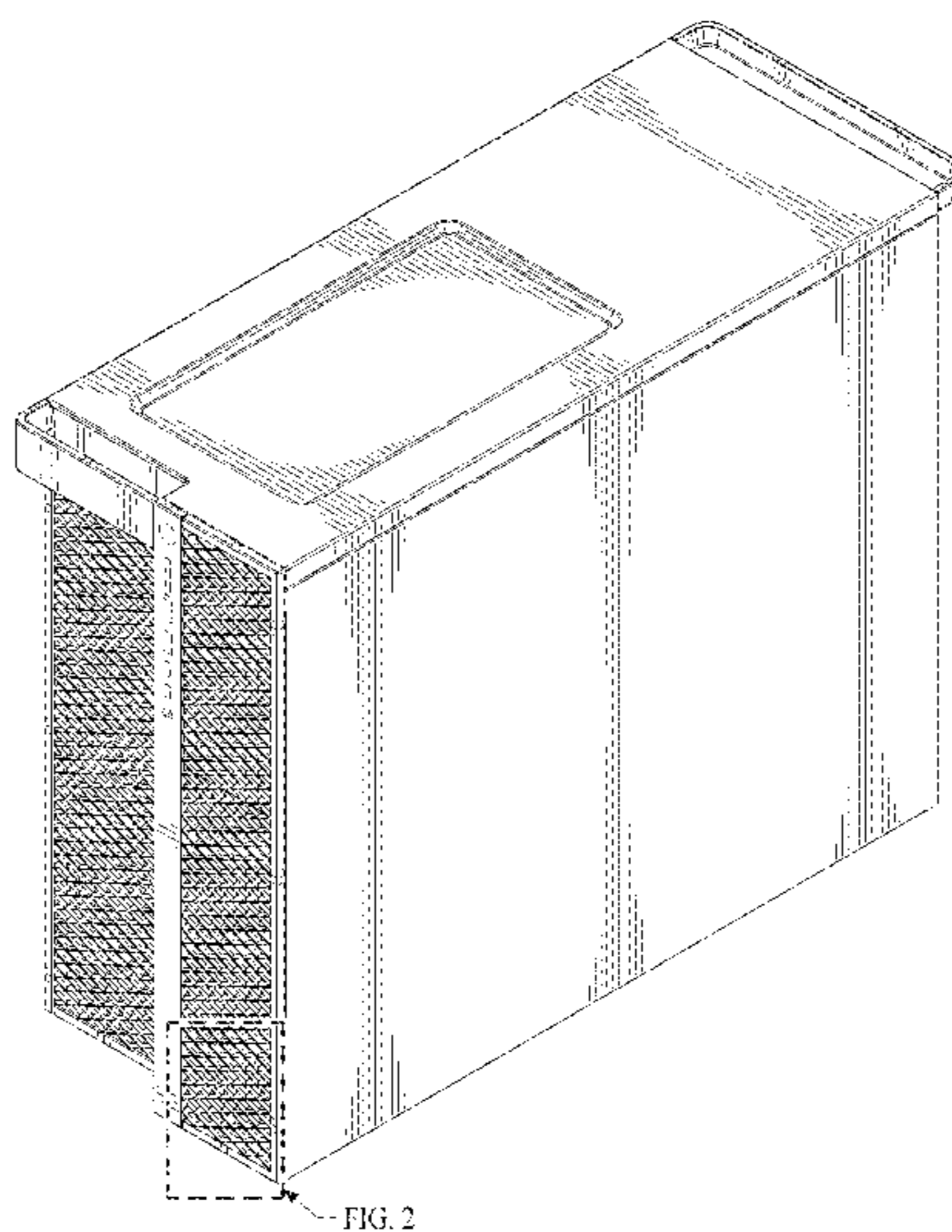
(57) **CLAIM**

We claim the ornamental design for an information handling system housing, as shown and described.

DESCRIPTION

FIG. 1 is a front perspective view of the information handling system housing comprising the present invention; FIG. 2 is an enlarged front perspective view of a vent thereof; FIG. 3 is a front elevation view thereof; FIG. 4 is an enlarged front elevation view of a vent thereof; FIG. 5 is a rear elevation view thereof; FIG. 6 is a right side view thereof; FIG. 7 is a left side view thereof; FIG. 8 is a top view thereof; FIG. 9 is a bottom view thereof; FIG. 10 is a front perspective view of an alternative embodiment thereof; FIG. 11 is an enlarged front perspective view of a vent of an alternative embodiment thereof; FIG. 12 is a front elevation view of the alternative embodiment thereof; FIG. 13 is an enlarged front elevation view of a vent of an alternative embodiment thereof; FIG. 14 is a rear elevation view of the alternative embodiment thereof; FIG. 15 is a right side view of the alternative embodiment thereof; FIG. 16 is a left side view of the alternative embodiment thereof; FIG. 17 is a top view of the alternative embodiment thereof; and, FIG. 18 is a bottom view of an alternative embodiment thereof. Broken lines shown in the drawings illustrate portions of the information handling system housing, and form no part of the claimed design.

1 Claim, 18 Drawing Sheets



(58) **Field of Classification Search**

USPC D13/123, 158, 162, 184, 199;
312/223.1–223.3, 351.11;
360/99.01–99.12; 369/34.01–36.01;
361/679.31–679.33, 679.37, 679.39,
361/679.46, 679.53, 679.4, 679.41, 727
CPC . G06F 1/20; G06F 1/181; G06F 1/187; G06F
1/183; G06F 1/184; G06F 1/16; H05K
7/16; H05K 7/1424; H05K 7/1409; H05K
7/20; H05K 7/20545; H05K 7/20727;
H05K 7/1425; H05K 7/1488; H05K
7/183; H05K 7/14; H05K 5/00; H05K
7/00; H05H 7/20; G11B 33/126; G11B
33/128; G11B 33/08; G11B 33/02

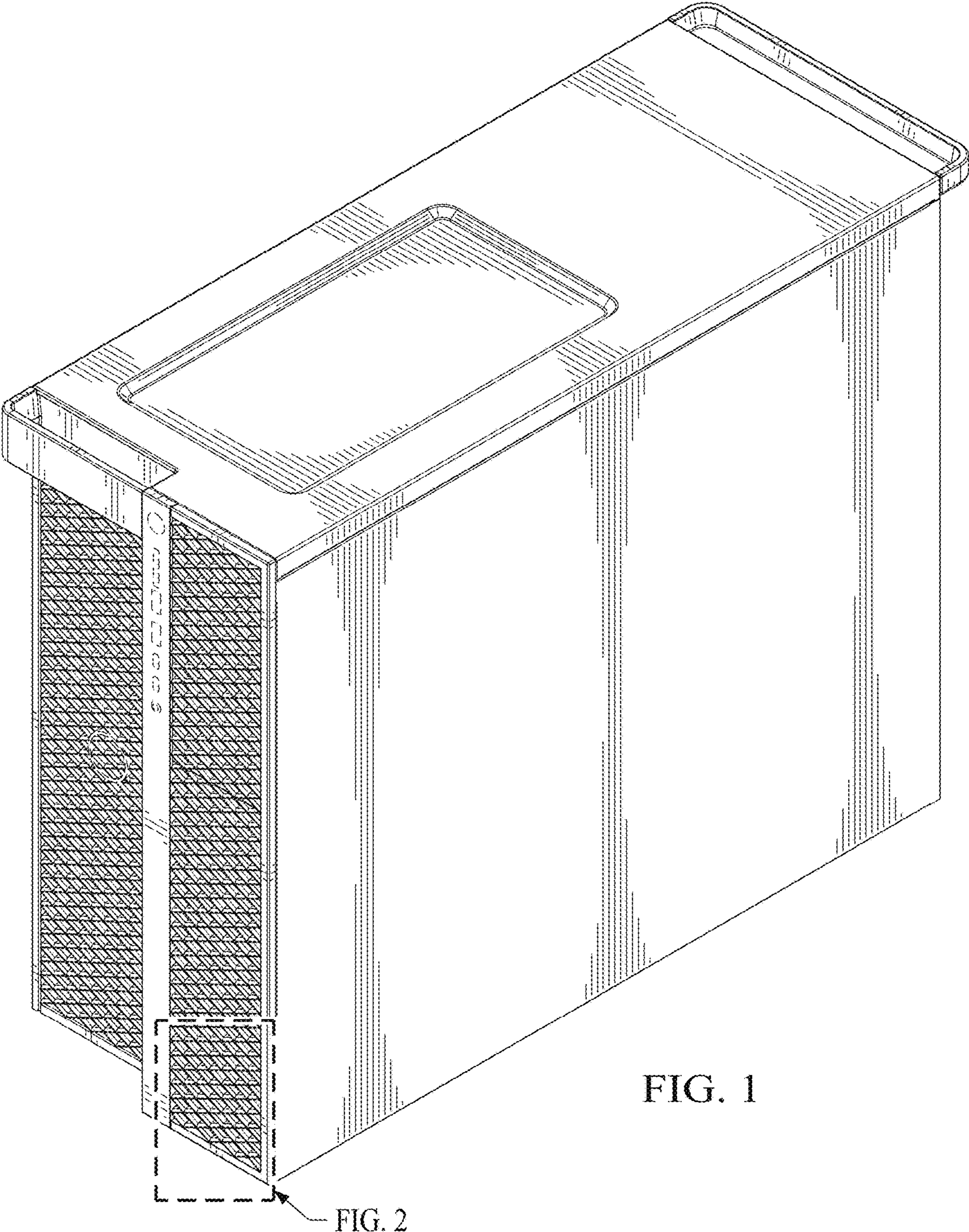
See application file for complete search history.

(56) **References Cited**

U.S. PATENT DOCUMENTS

D690,694 S * 10/2013 Utsuki D14/364
D691,126 S * 10/2013 Morton D14/300
D763,246 S * 8/2016 Jasinski D14/300

* cited by examiner



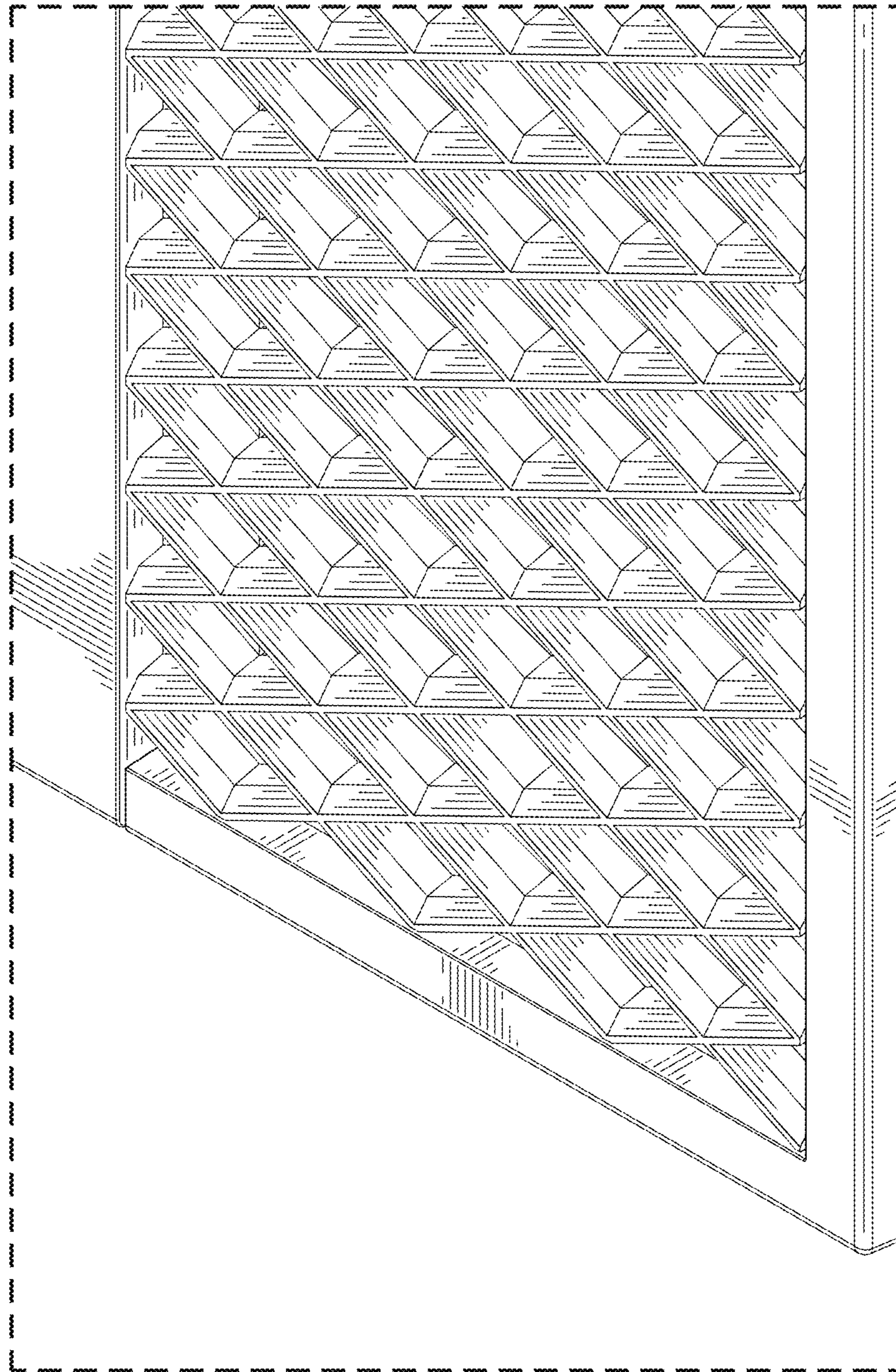


FIG. 2

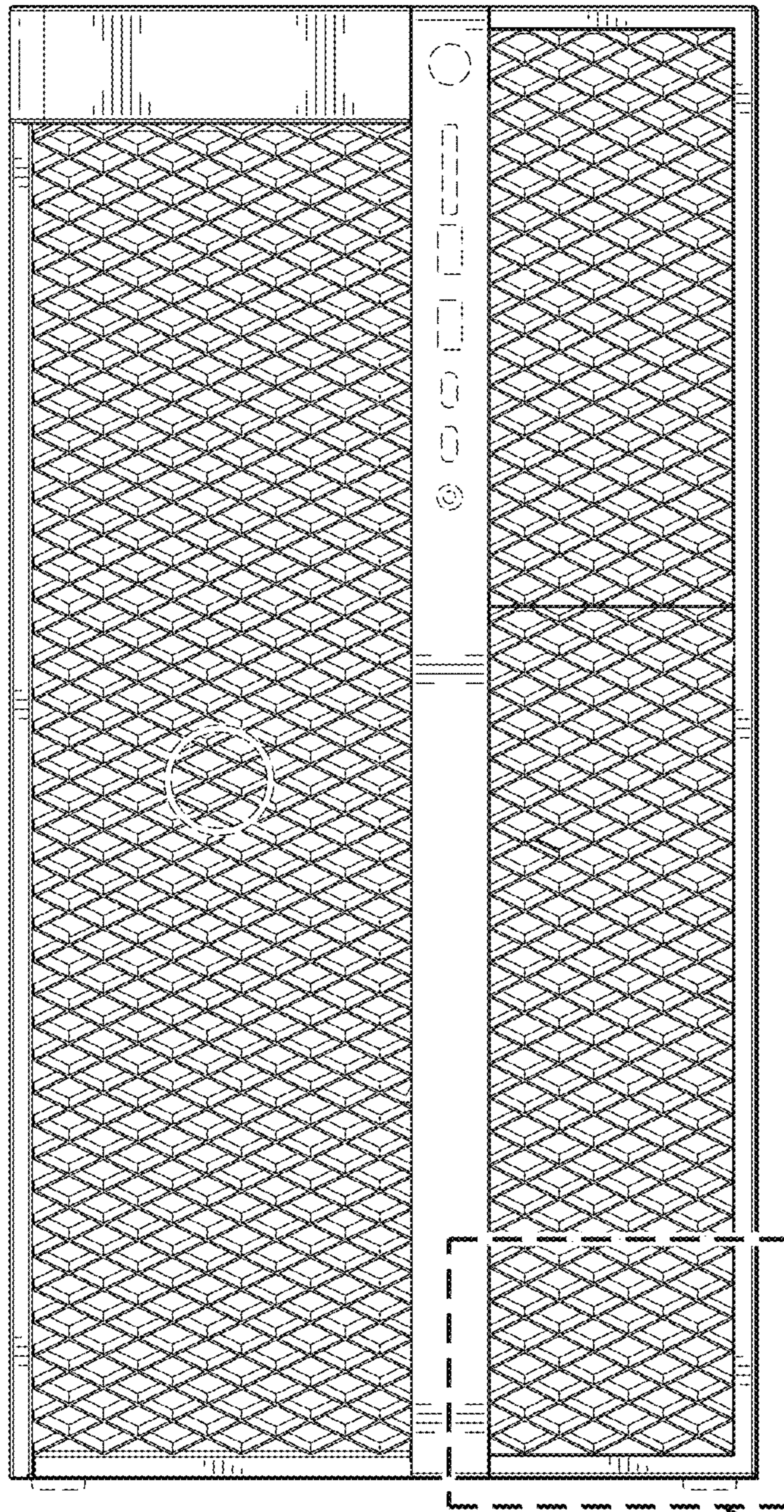


FIG. 3

FIG. 4

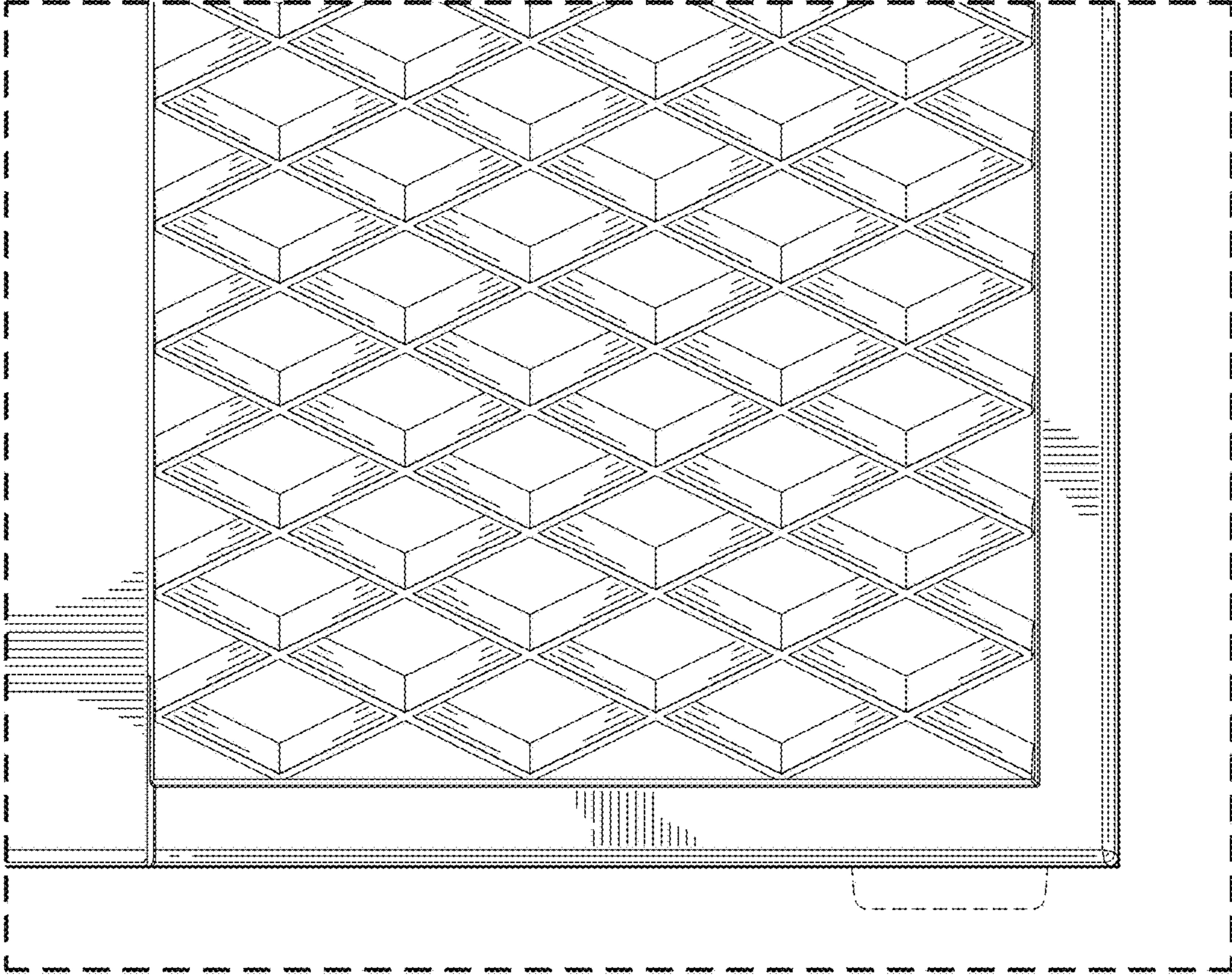


FIG. 4

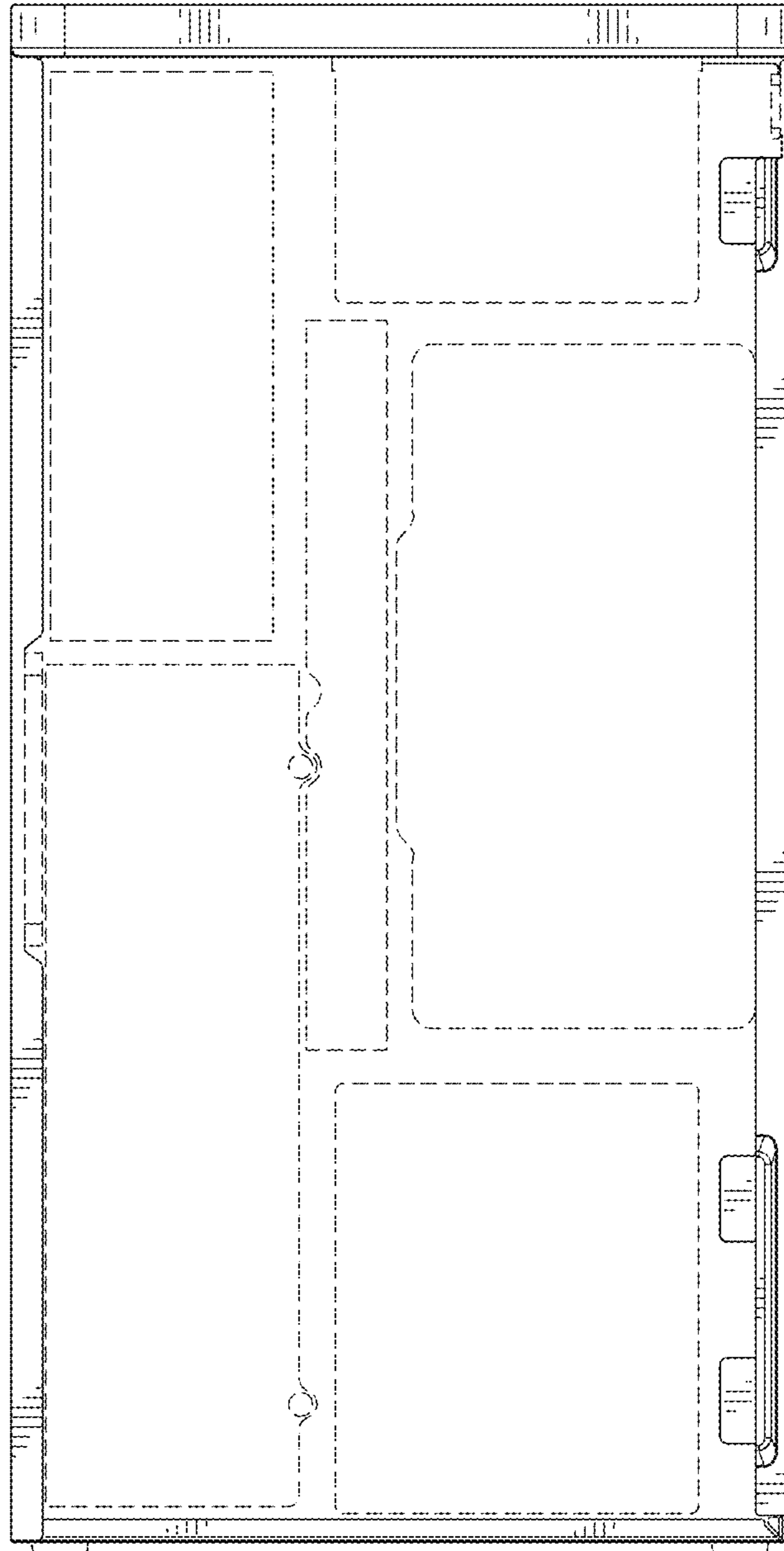


FIG. 5

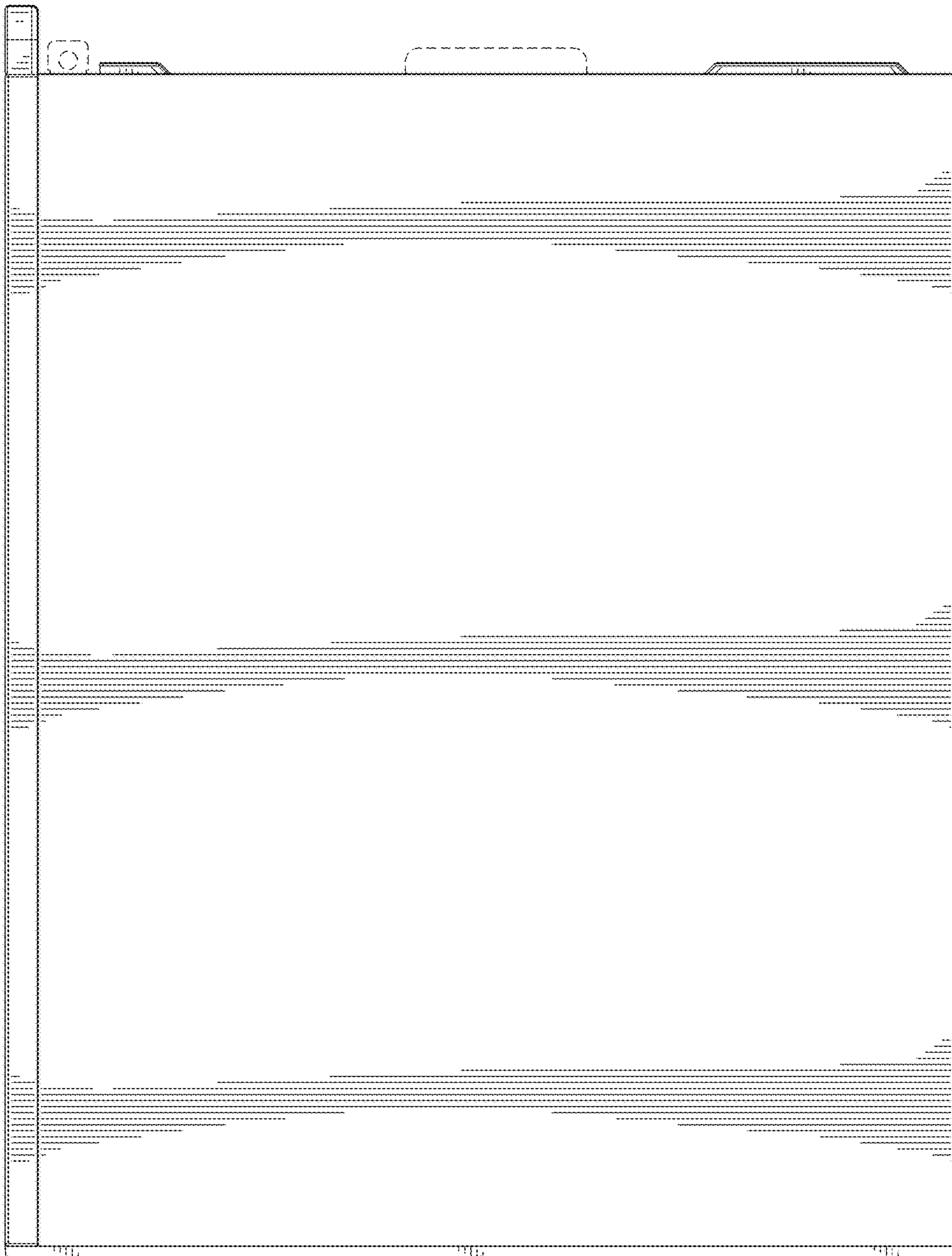


FIG. 6

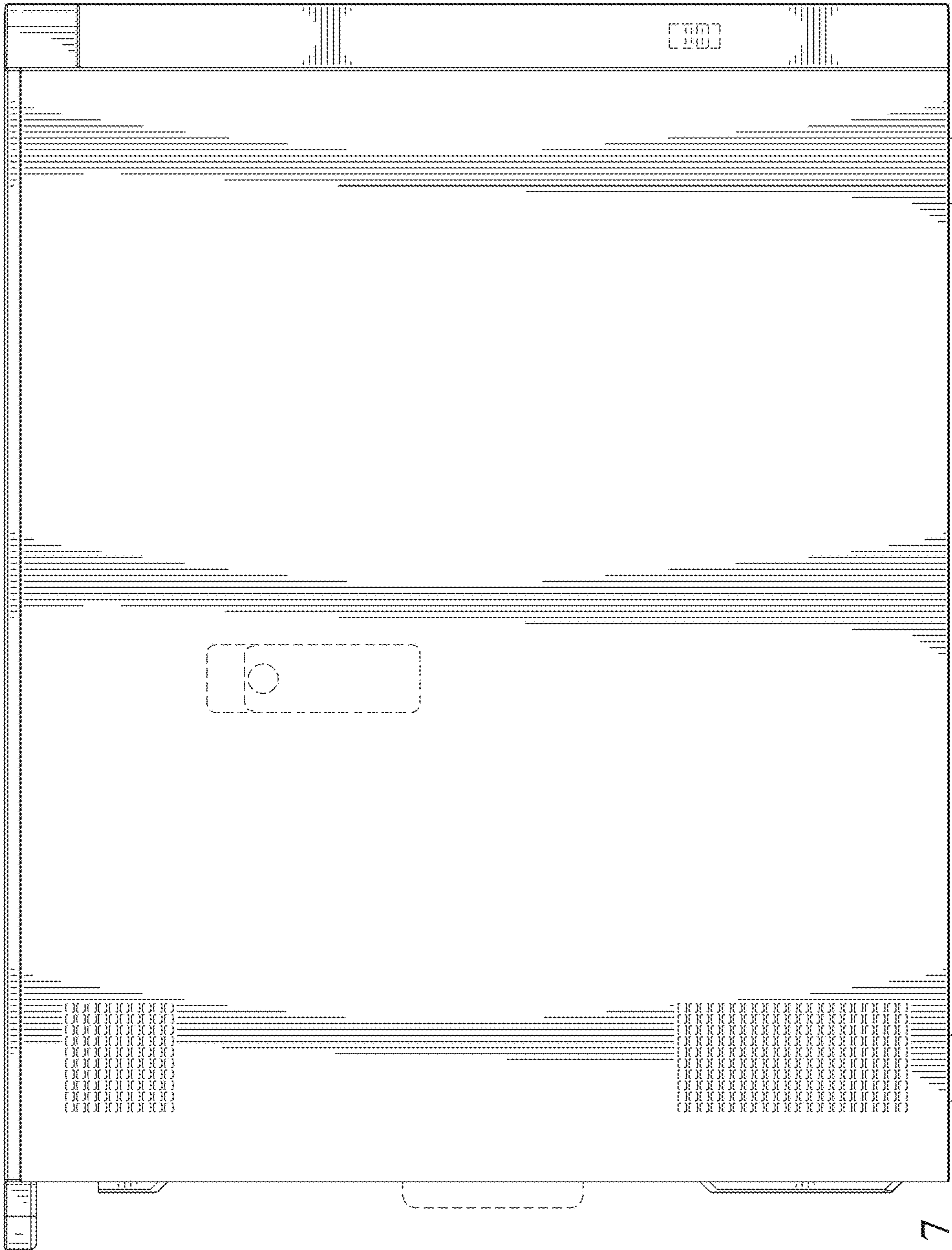


FIG. 7

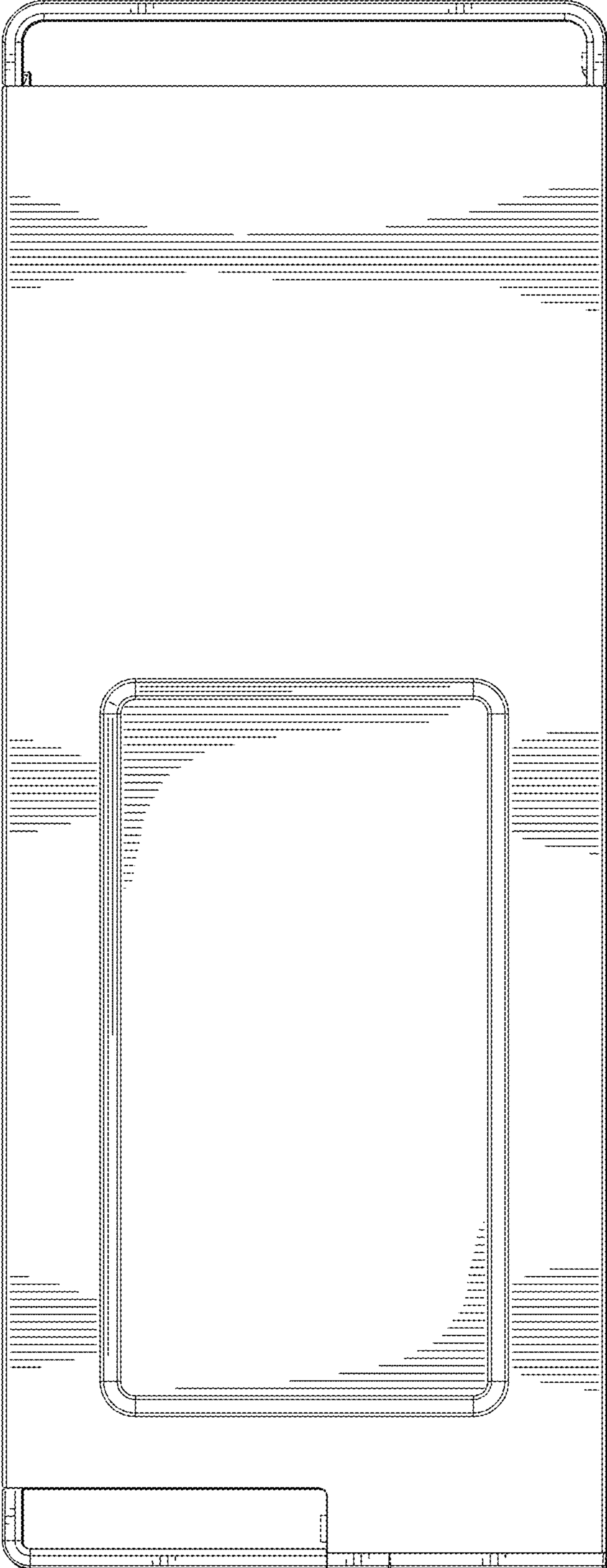


FIG. 8

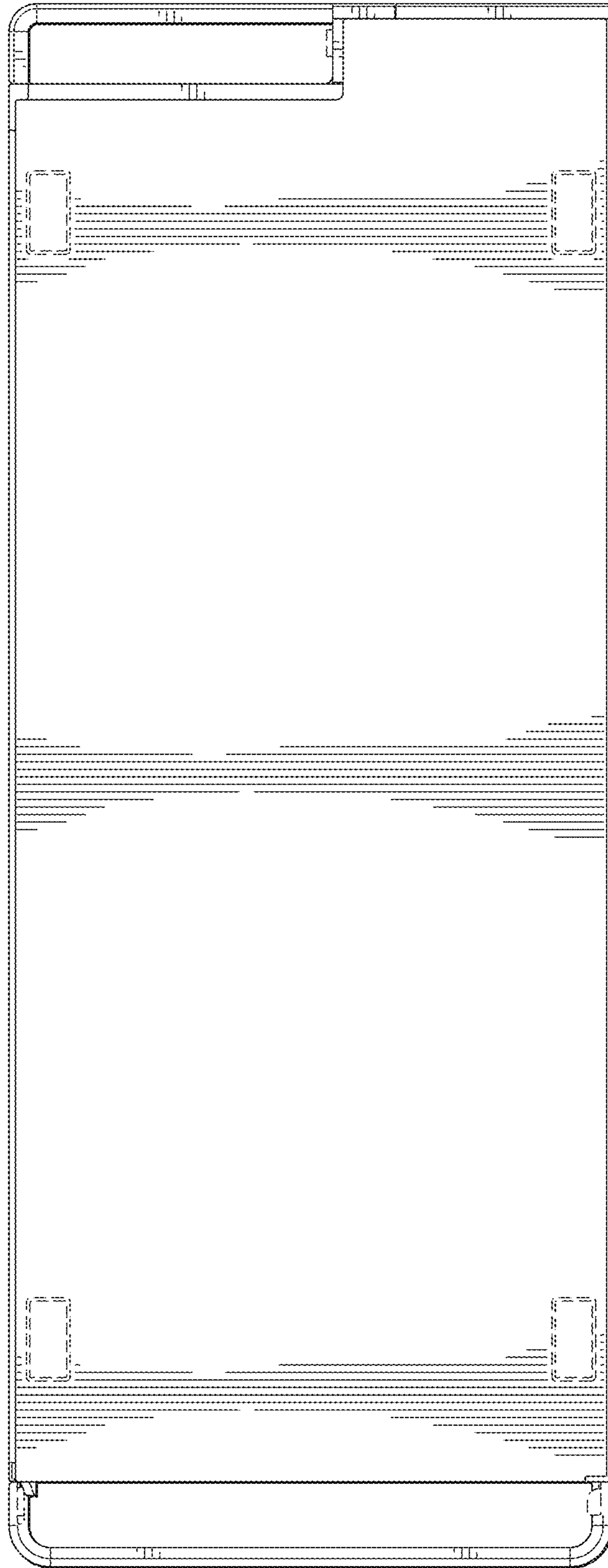
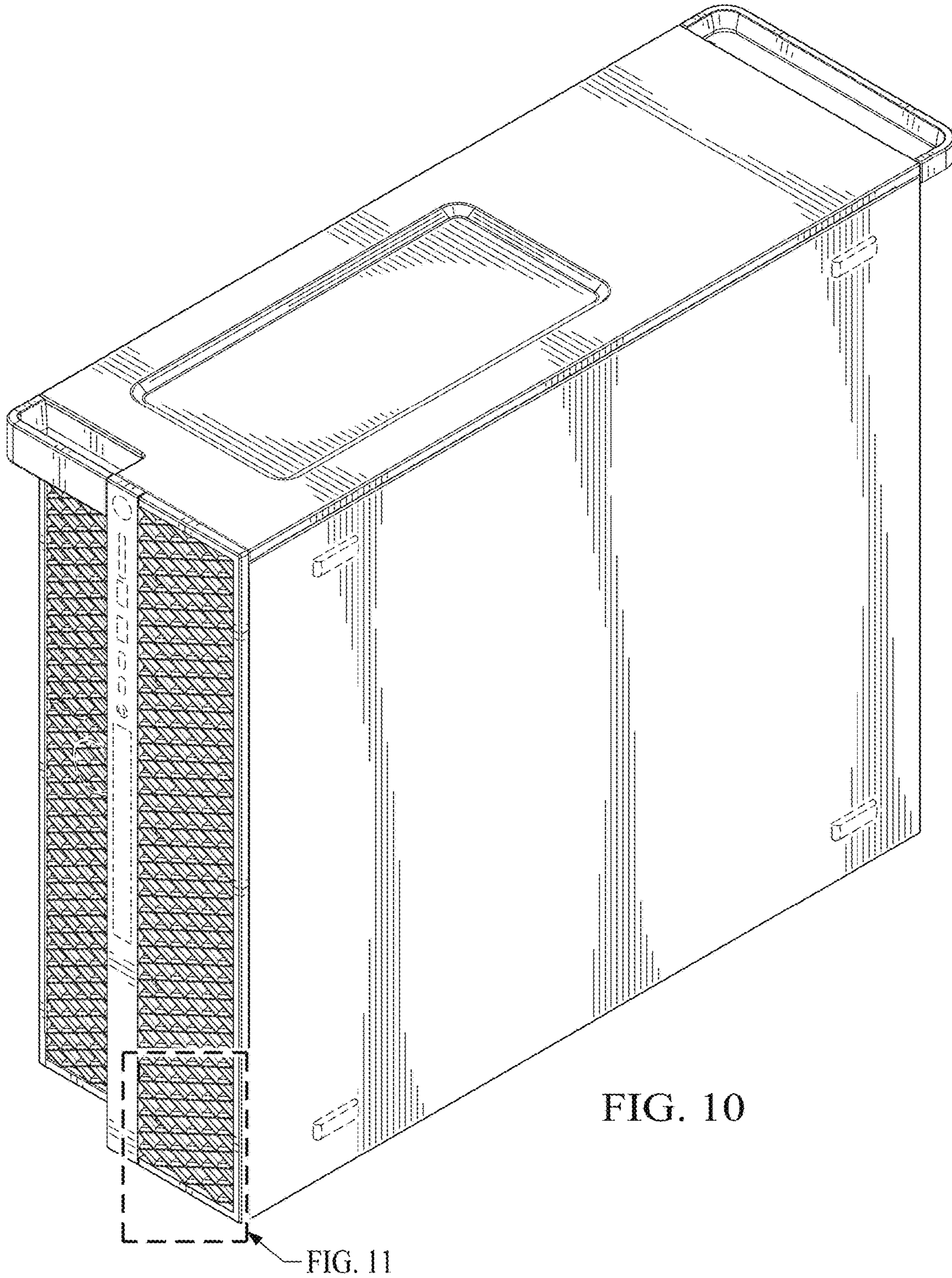


FIG. 9



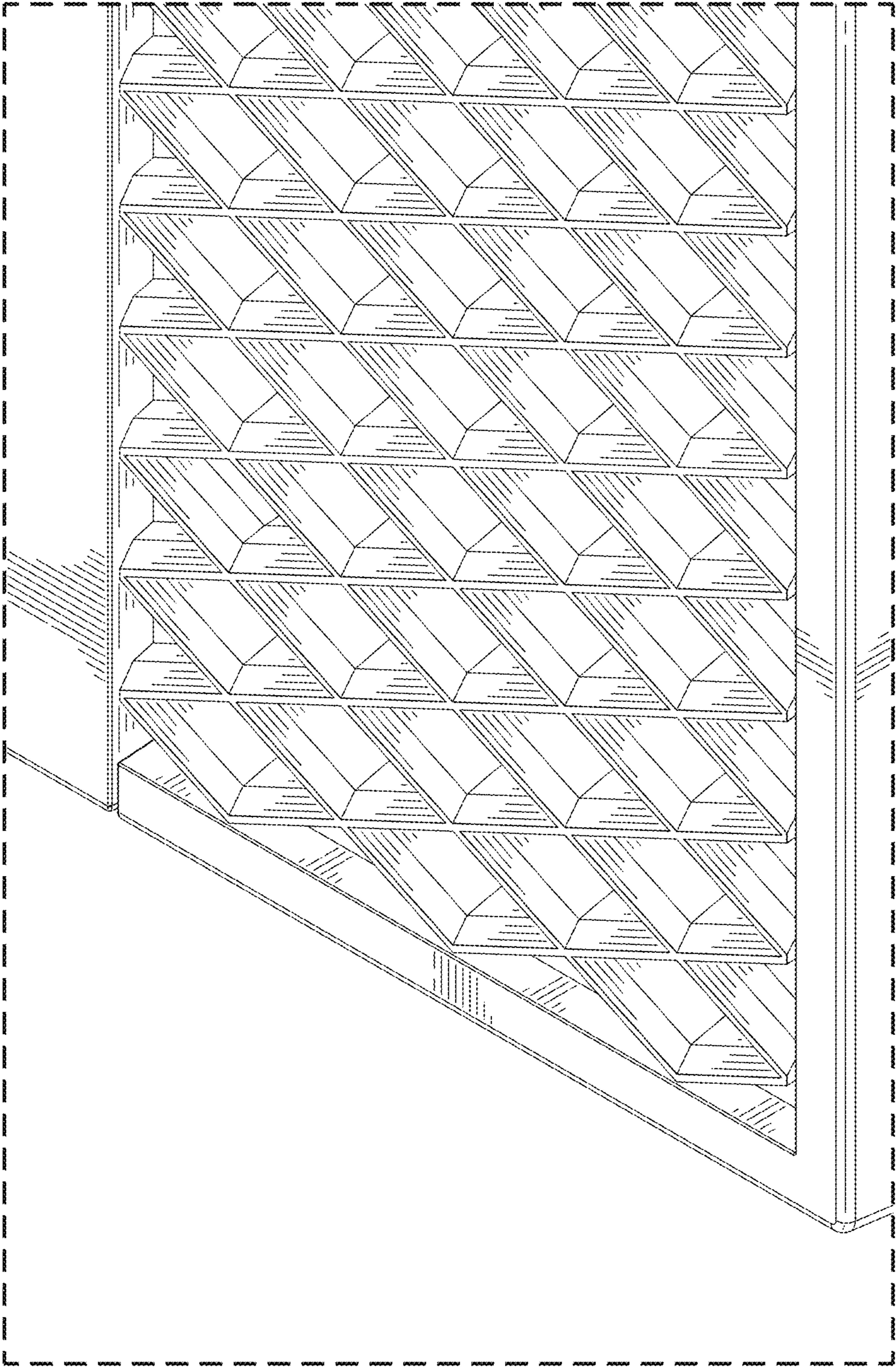


FIG. 11

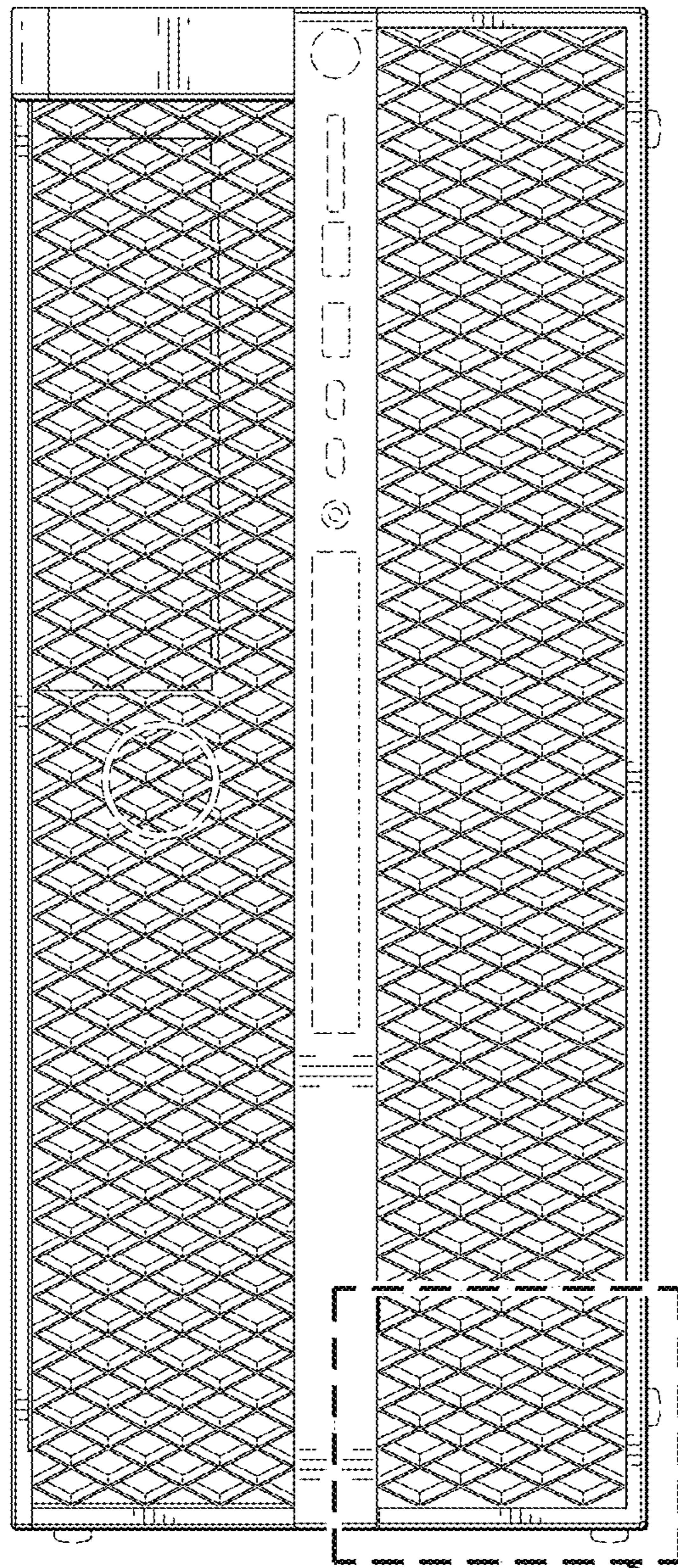


FIG. 12

FIG. 13

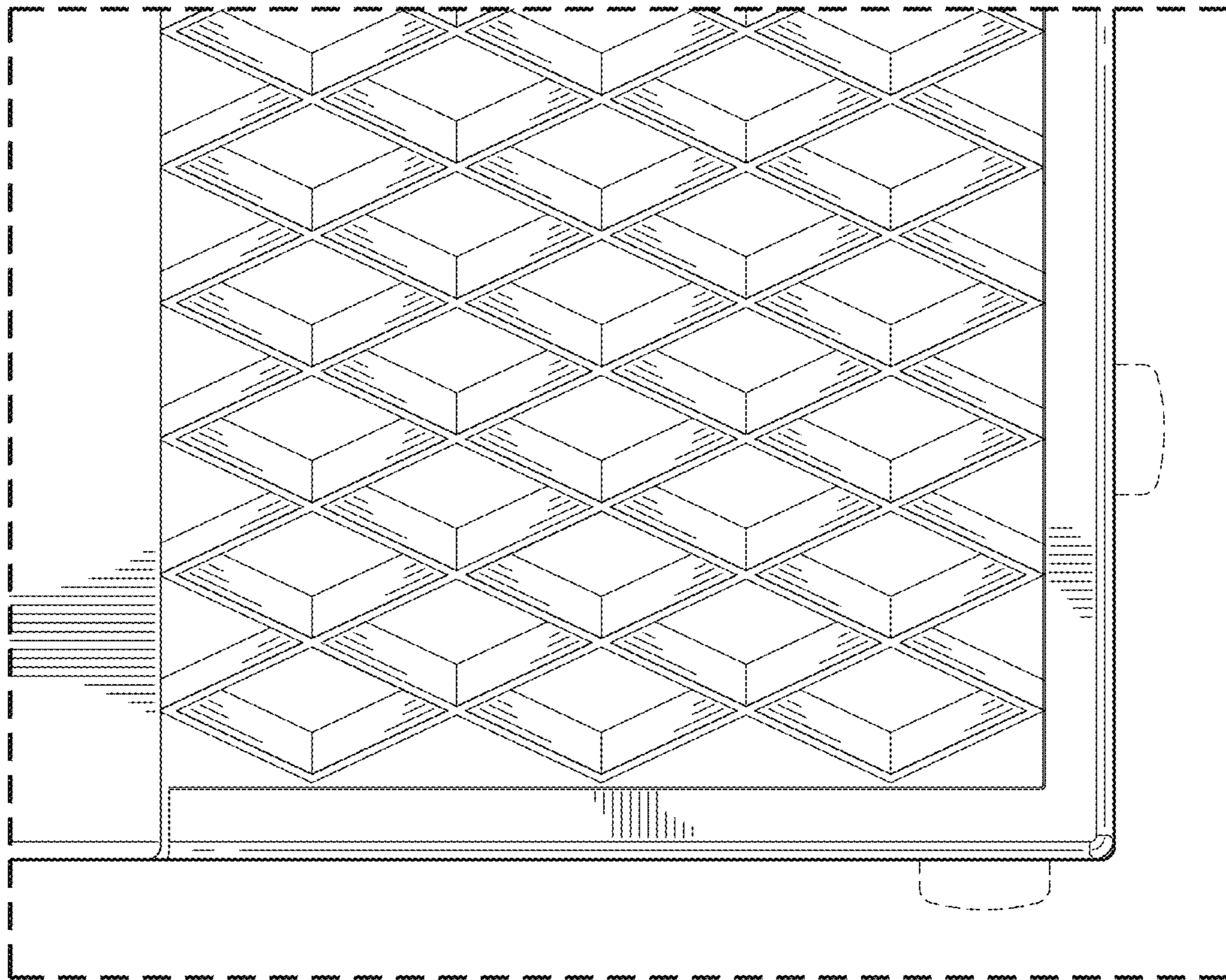


FIG. 13

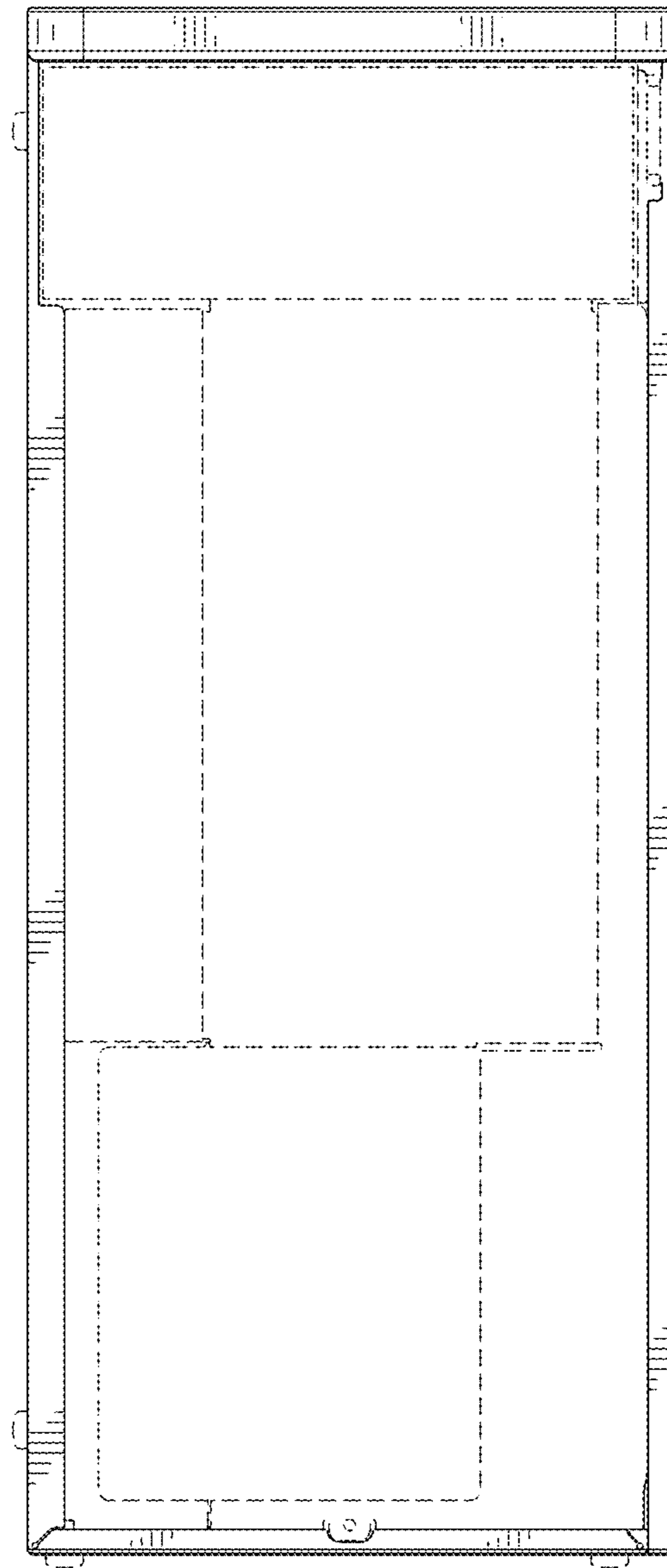


FIG. 14

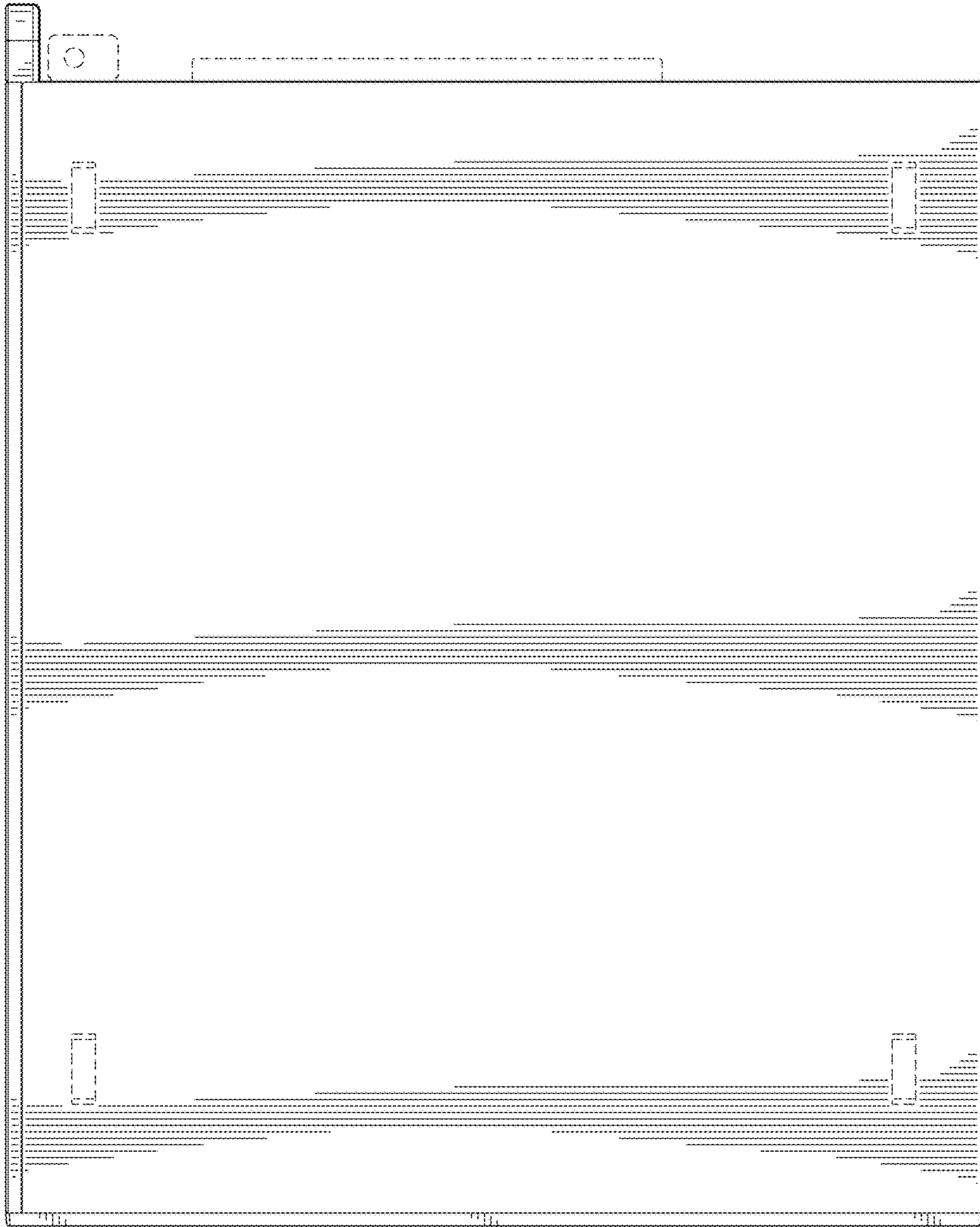


FIG. 15

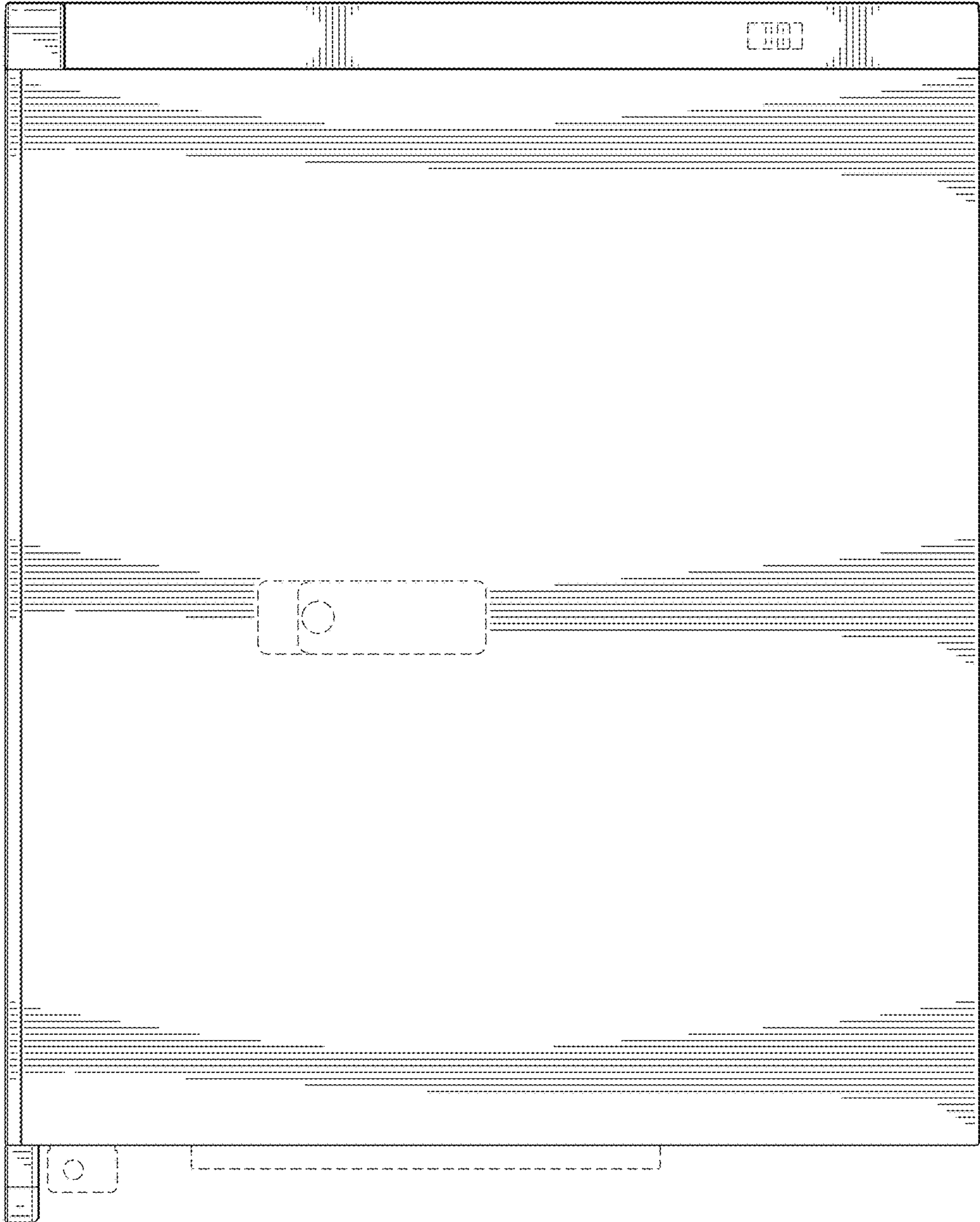


FIG. 16

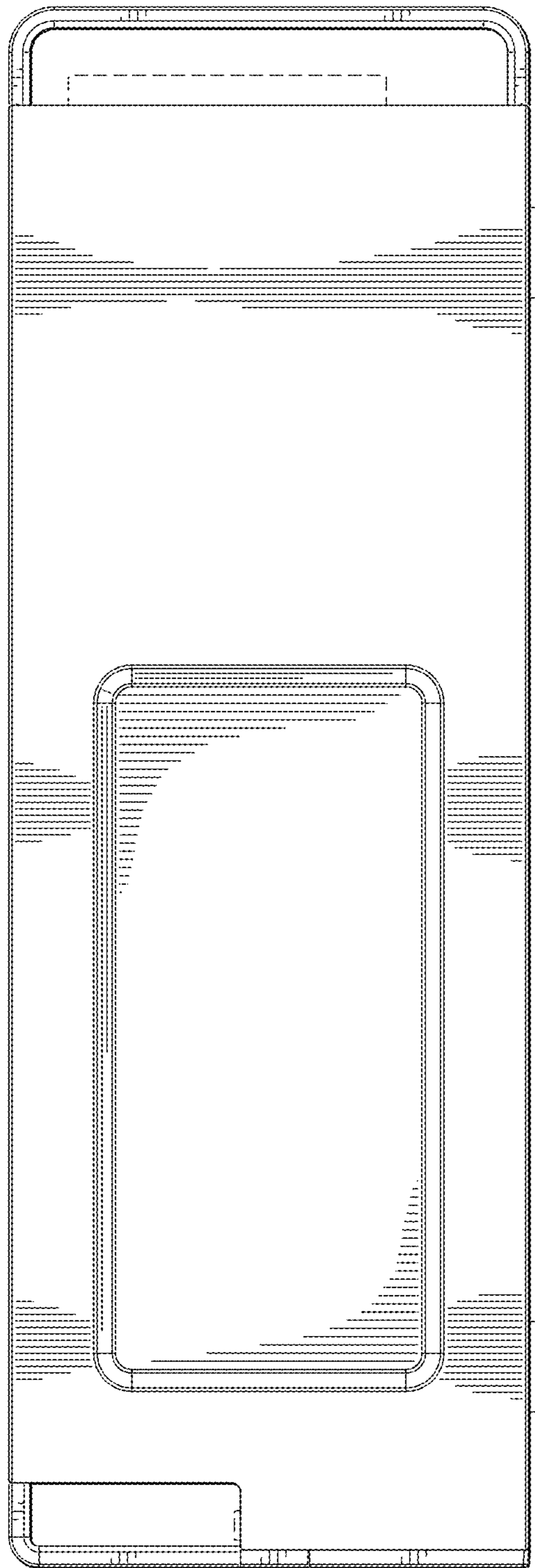


FIG. 17

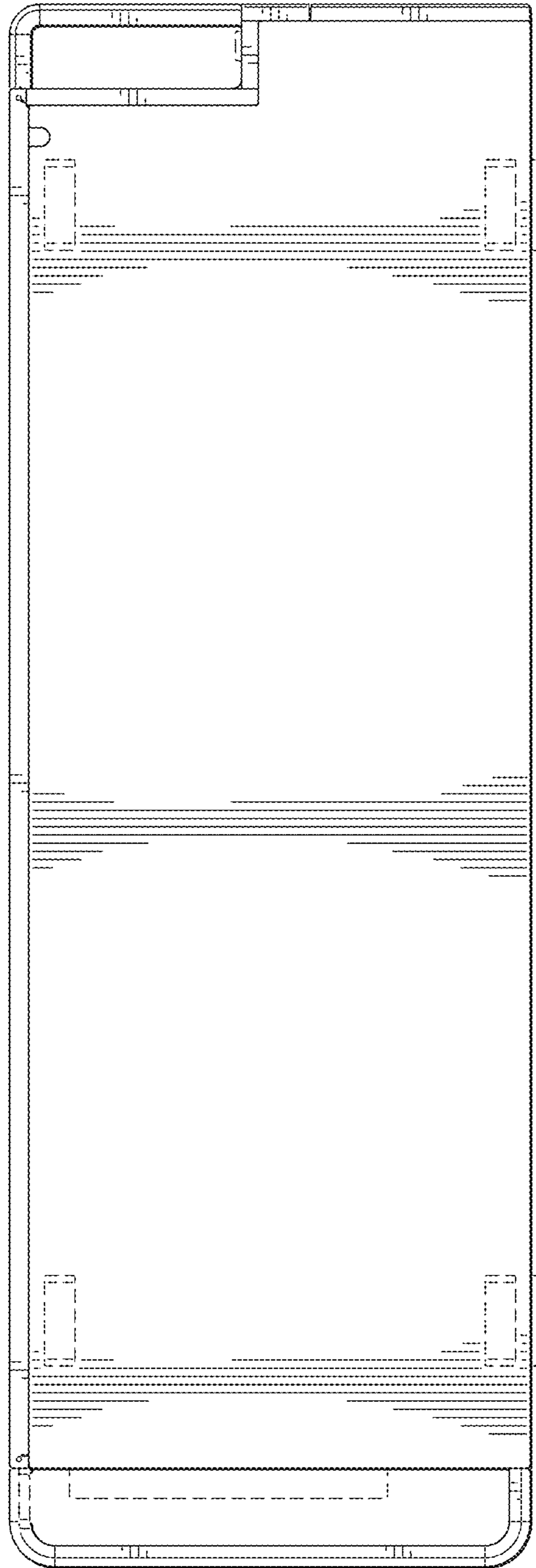


FIG. 18