



US00D814460S

(12) **United States Design Patent** (10) **Patent No.:** **US D814,460 S**
Behar et al. (45) **Date of Patent:** **** Apr. 3, 2018**

(54) **DATA STORAGE DEVICE**

(56) **References Cited**

(71) Applicant: **Western Digital Technologies, Inc.**,
Irvine, CA (US)

U.S. PATENT DOCUMENTS

(72) Inventors: **Yves Behar**, San Francisco, CA (US);
William Stuart, San Francisco, CA
(US); **Mirko Ihrig**, Hamburg (DE);
Jueun Choi, Seoul (KR); **Steven T.
Peng**, Irvine, CA (US); **Mark Sterzick**,
Torrance, CA (US); **Gregory A.
Vanderpol**, Long Beach, CA (US)

D395,424 S 6/1998 Nakayama
D460,965 S 7/2002 O'Brien
D486,479 S * 2/2004 Chung D14/240
6,741,467 B2 * 5/2004 Coglitore G06F 1/18
174/377
D563,994 S 3/2008 Liu
(Continued)

(73) Assignee: **Western Digital Technologies, Inc.**,
Irvine, CA (US)

OTHER PUBLICATIONS

U.S. Appl. No. 29/564,687, filed May 14, 2016, Behar, et al.
U.S. Appl. No. 29/599,985, filed Apr. 7, 2017, Peng, et al.

(**) Term: **15 Years**

Primary Examiner — Freda S Nunn

(21) Appl. No.: **29/564,690**

(74) *Attorney, Agent, or Firm* — Knobbe, Martens, Olson
& Bear LLP

(22) Filed: **May 14, 2016**

(57) **CLAIM**

The ornamental design for a data storage device, as shown
and described.

(30) **Foreign Application Priority Data**

May 14, 2016 (CN) 2016 3 0179770

DESCRIPTION

(51) **LOC (11) Cl.** **14-02**

(52) **U.S. Cl.**
USPC **D14/349**

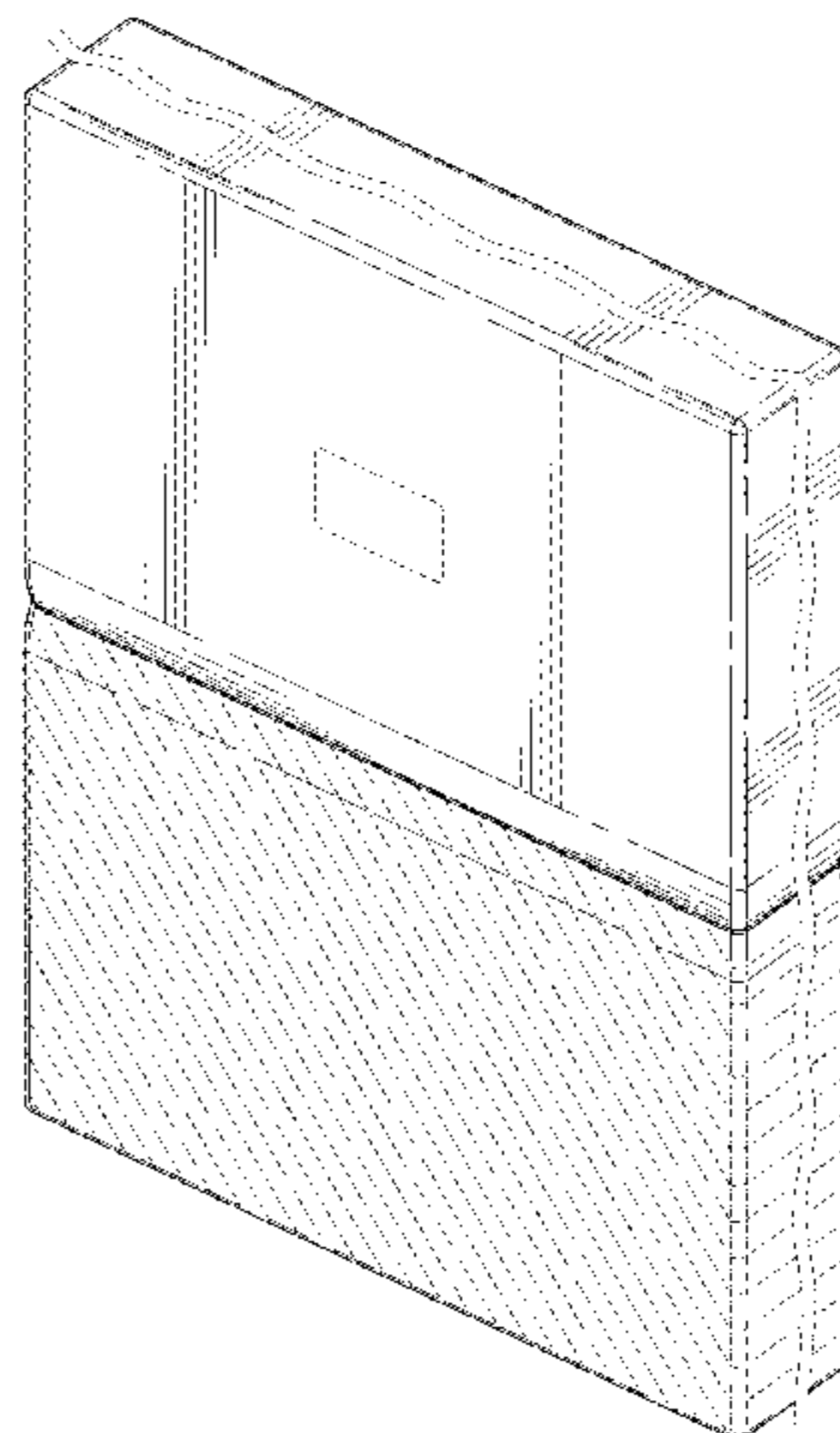
(58) **Field of Classification Search**
USPC D14/240, 300, 301, 308, 313, 314,
D14/348-356, 364-368, 188; D13/184,
D13/199
CPC . G06F 1/20; G06F 1/181; G06F 1/187; G06F
1/183; G06F 1/184; G06F 1/16; G11B
33/02; G11B 33/08; G11B 33/126; G11B
33/128; H05K 7/16; H05K 7/1424; H05K
7/1409; H05K 7/20; H05K 7/20545;
H05K 7/20727; H05K 7/1425; H05K
7/1488; H05K 7/183; H05K 7/14; H05K
5/00; H05K 7/00; H05H 7/20

See application file for complete search history.

FIG. 1 is a top, back and side perspective view of a data
storage device showing the new design;
FIG. 2 is a top view thereof;
FIG. 3 is a bottom view thereof;
FIG. 4 is a first side view thereof;
FIG. 5 is a second side view thereof;
FIG. 6 is a back view thereof; and,
FIG. 7 is a front view thereof.

The regular dash-dash broken lines show unclaimed features
of the data storage device and form no part of the claimed
design. The pairs of wavy adjacent broken lines running
through the center of the device form no part of the claimed
design and the portions between such lines that may be
visible have been removed for clarity. The broken line

(Continued)



hatching shown on half of the device represents a contrast in appearance and forms no part of the claimed design.

1 Claim, 5 Drawing Sheets

(56)

References Cited

U.S. PATENT DOCUMENTS

D581,412	S	11/2008	Yang	
D595,279	S *	6/2009	Chiba D14/240
D602,019	S	10/2009	Wang	
D602,934	S	10/2009	Cao	
D622,713	S *	8/2010	Chung D14/242
D647,089	S	10/2011	Chen	
D689,050	S	9/2013	Chong	
D695,289	S	12/2013	Yamazaki	
D717,297	S *	11/2014	Koberling D14/349
D728,539	S *	5/2015	Dubrue D14/240
2003/0122457	A1 *	7/2003	Diaz G06F 1/181 312/223.2
2011/0069436	A1	3/2011	Jian	

* cited by examiner

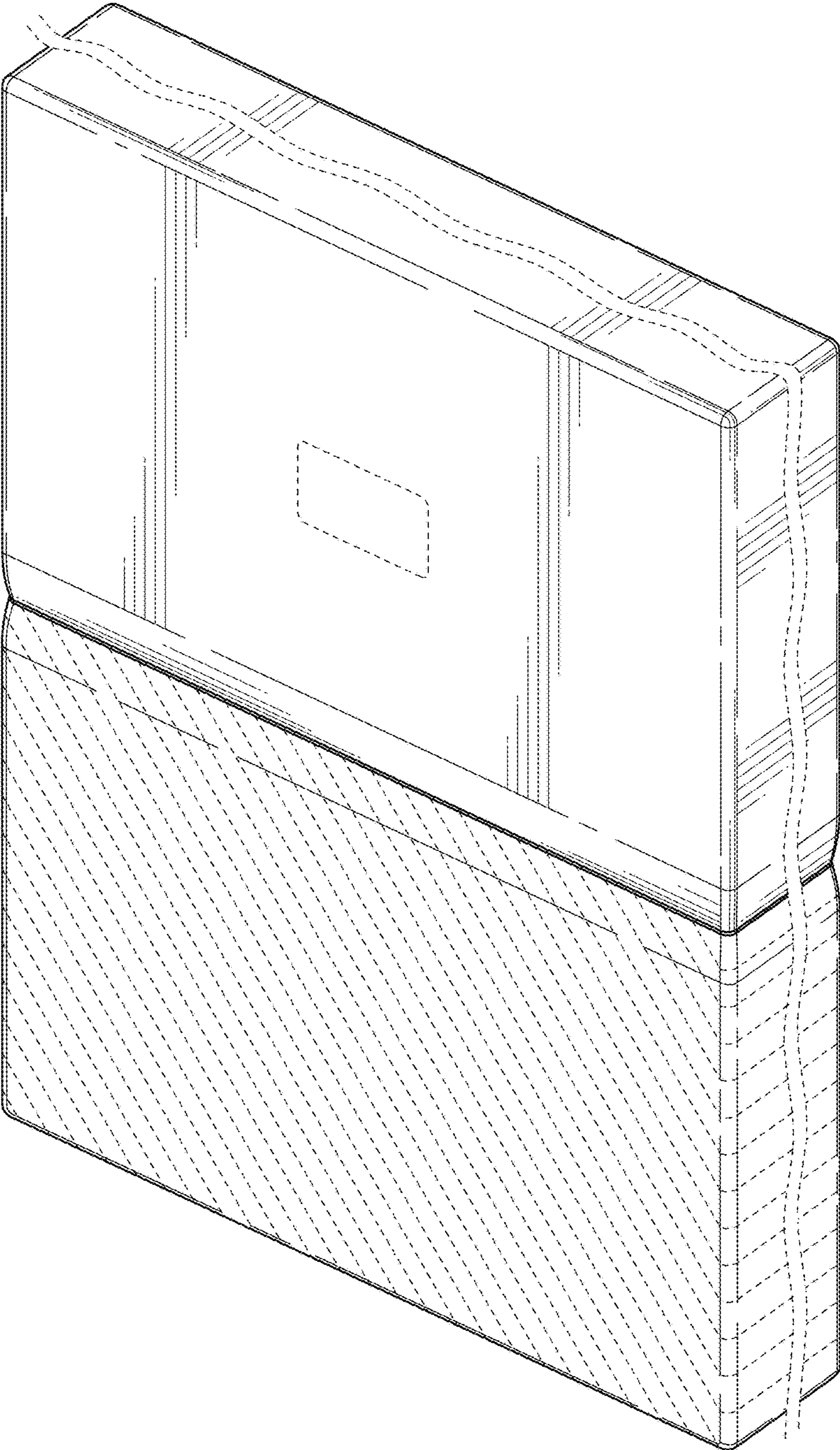


FIG. 1

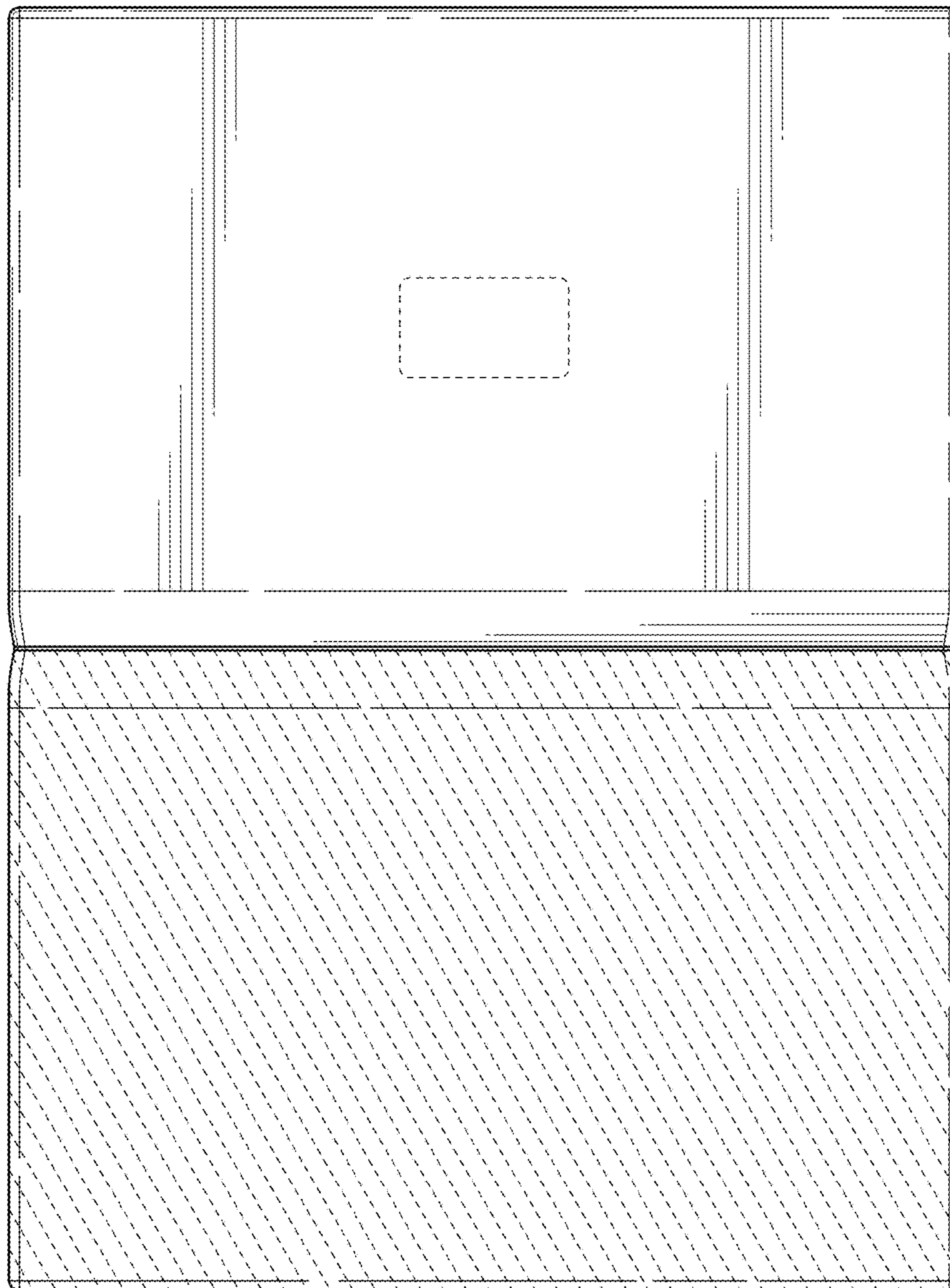


FIG. 2

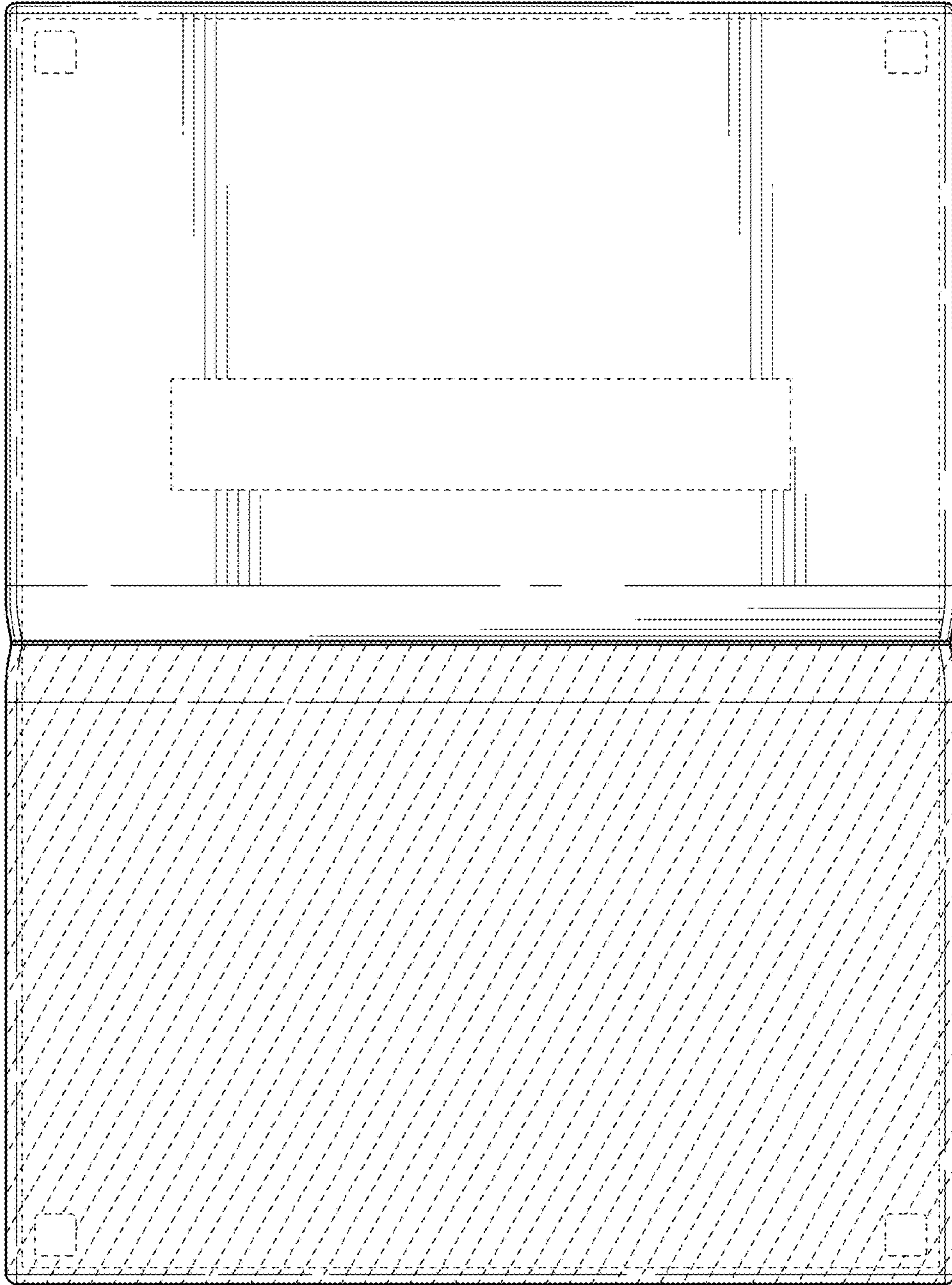


FIG. 3

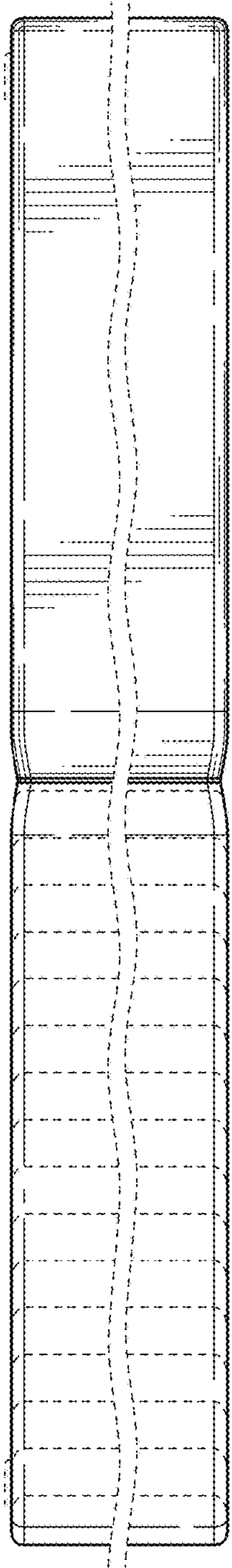


FIG. 4

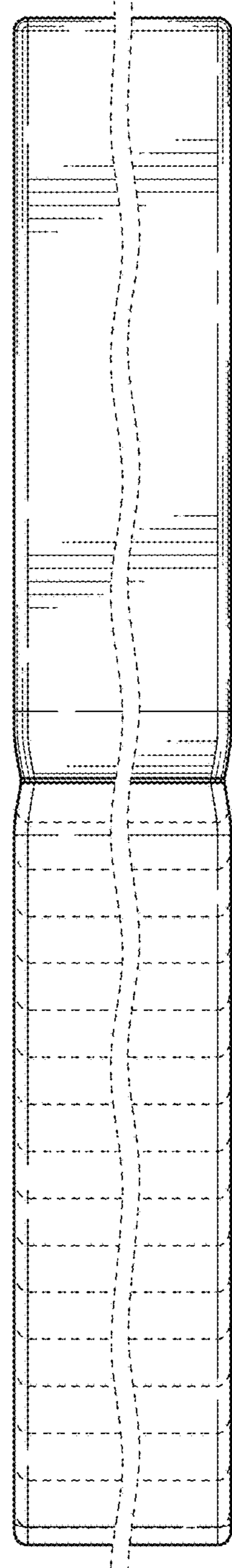


FIG. 5

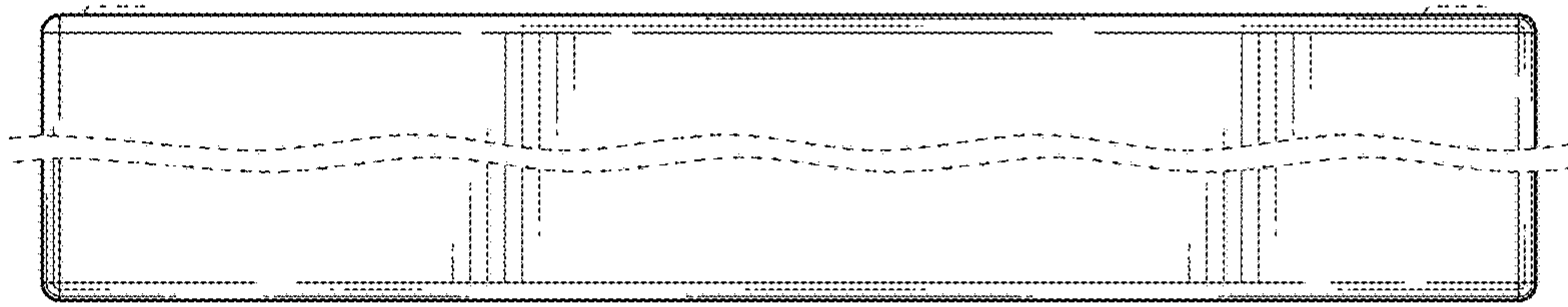


FIG. 6

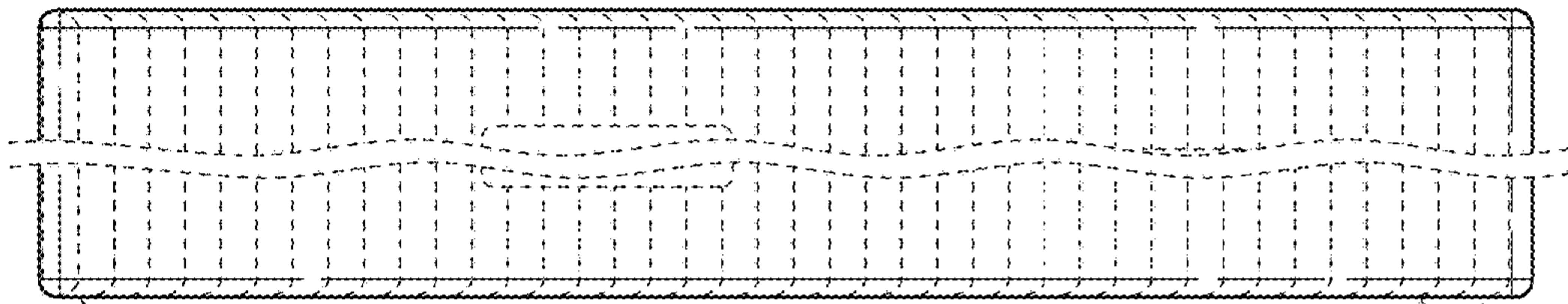


FIG. 7