



US00D814458S

(12) **United States Design Patent** (10) **Patent No.:** **US D814,458 S**
Lee et al. (45) **Date of Patent:** **** Apr. 3, 2018**

(54) **PORTABLE ELECTRONIC DEVICE WITH COVER**

(71) Applicant: **Samsung Electronics Co., Ltd.**, Suwon-si (KR)

(72) Inventors: **Yongyeon Lee**, Suwon-si (KR); **Ji-Yeon Kwak**, Seoul (KR); **Haeyoon Park**, Seoul (KR); **Kio Lee**, Seoul (KR)

(73) Assignee: **Samsung Electronics Co., Ltd.**, Suwon-si (KR)

(**) Term: **15 Years**

(21) Appl. No.: **29/554,545**

(22) Filed: **Feb. 12, 2016**

(30) **Foreign Application Priority Data**

Aug. 18, 2015 (KR) 30-2015-0041442

(51) **LOC (11) Cl.** **14-02**

(52) **U.S. Cl.**
USPC **D14/345**

(58) **Field of Classification Search**
USPC D14/341-347, 125-134, 137, 138 R, D14/138 AA, 138 AB, 138 C, 138 G, 147,
(Continued)

(56) **References Cited**

U.S. PATENT DOCUMENTS

5,295,089 A * 3/1994 Ambasz G06F 1/1628
348/791

D356,120 S * 3/1995 Allen D21/335
(Continued)

FOREIGN PATENT DOCUMENTS

KR 30-2012-0051896 11/2013
KR 30-2012-0036421 3/2014

(Continued)

OTHER PUBLICATIONS

A Trifold. And it's a Phone!, posted Jan. 21, 2011, [retrieved Oct. 25, 2017]. Retrieved from Internet, <URL: https://mostlytech.wordpress.com/2011/01/21/a-trifold-and-its-a-phone/ >.*

(Continued)

Primary Examiner — Barbara Fox

Assistant Examiner — Kristin E Reed

(74) *Attorney, Agent, or Firm* — NSIP Law

(57) **CLAIM**

We claim the ornamental design for a portable electronic device with cover, as shown and described.

DESCRIPTION

FIG. 1 is a front perspective view of a portable electronic device with cover showing our new design;

FIG. 2 is a front view thereof;

FIG. 3 is a rear view thereof;

FIG. 4 is a left-side view thereof;

FIG. 5 is a right-side view thereof;

FIG. 6 is a top view thereof;

FIG. 7 is a bottom view thereof;

FIG. 8 is a rear perspective view thereof;

FIG. 9 is an exploded front view thereof in which the side portion is shown separated from the portable electronic device with cover;

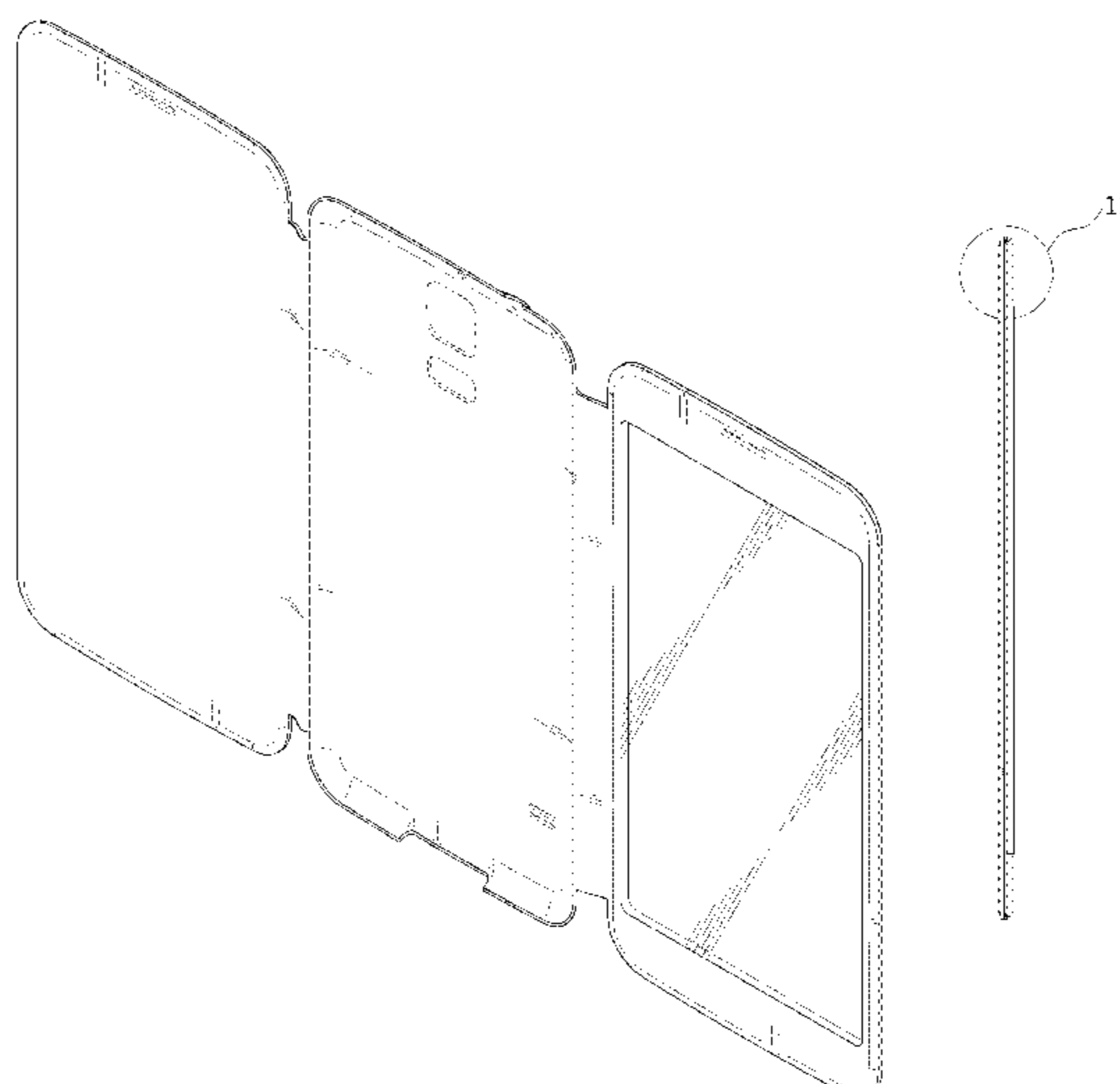
FIG. 10 is an enlarged view of the encircled portion shown in FIG. 3;

FIG. 11 is an enlarged view of the encircled portion shown in FIG. 4; and,

FIG. 12 is an enlarged view of the encircled portion shown in FIG. 6.

The short dash-dash broken line in the figures shows portions of portable electronic device with cover which form no part of the claimed design. The dot-dot-dash broken line encircling portions of the claimed design that are illustrated in enlargements form no part of the claimed design.

1 Claim, 11 Drawing Sheets



(58) **Field of Classification Search**

USPC ... D14/203.1, 203.3, 203.4, 203.7, 218, 247,
 D14/248, 332, 336, 371, 374–377, 388,
 D14/389, 315–318, 420, 426, 429, 440,
 D14/448, 450, 489, 492, 496;
 D6/300–310; D10/50, 65, 104.1;
 D16/241; D18/6; D20/10, 19, 39;
 D21/329, 330
 CPC . A63H 33/3016; G06F 1/1613; G06F 1/1641;
 G06F 1/1643; G06F 1/1647; G06F
 3/04883; G06F 3/0486; G06F 3/04847;
 G06F 3/04845; G06F 3/0484; G06F
 3/04817; H05K 5/0004; H05K 5/0017;
 H05K 5/02; H05K 5/0217; H04M 1/0279;
 H04M 1/0281; H04M 1/0283; H04N
 13/0459

See application file for complete search history.

(56) **References Cited**

U.S. PATENT DOCUMENTS

D448,763 S * 10/2001 Ikenaga D14/345
 D490,808 S * 6/2004 Khachikian D14/345
 D582,405 S * 12/2008 Andre D3/299
 D709,493 S * 7/2014 Ahn D14/345
 D712,867 S * 9/2014 Vats D14/138 AB
 D720,747 S * 1/2015 Kim D14/345
 8,943,427 B2 * 1/2015 Heo G06F 1/1647
 715/768
 D744,491 S * 12/2015 Lee D14/440
 D745,006 S * 12/2015 Hirakata D14/341
 D750,064 S * 2/2016 Yamazaki D14/341
 D755,766 S * 5/2016 Kim D14/250
 D763,839 S * 8/2016 Shin D14/250

D765,630 S * 9/2016 Harata D14/250
 9,489,078 B2 * 11/2016 Seo G06F 1/1641
 D775,602 S * 1/2017 Lee D14/138 AB
 D789,925 S * 6/2017 Browning D14/341

FOREIGN PATENT DOCUMENTS

KR 30-2013-0063530 3/2014
 KR 30-2014-0012446 9/2014
 KR 30-2014-0012452 9/2014

OTHER PUBLICATIONS

This Tri-Fold Smartphone Could Be the Near-Future of Foldable Tech, posted May 2, 2014, [retrieved Oct. 25, 2017]. Retrieved from Internet, <URL: <https://gizmodo.com/this-tri-fold-smartphone-could-be-the-near-future-of-fo-1570735432> >.*

Samsung Galaxy S6 Ultra Thin Mockup Features Iris Scanner, is Accompanied by Galaxy S6 Mini Concept, posted Dec. 23, 2014, [retrieved Oct. 25, 2017]. Retrieved from Internet, <URL: <https://www.concept-phones.com/samsung/samsung-galaxy-s6-ultra-thin-mockup-features-iris-scanner-accompanied-galaxy-s6-mini-concept/> >.*

iPhone 7 Slim Goes Ultraslim With 5 mm Waistline (Video), posted Jul. 19, 2015, [retrieved Oct. 25, 2017]. Retrieved from Internet, <URL: <https://www.concept-phones.com/apple/iphone-7-slim-ultraslim-5-mm-waistline-video/> >.*

Xiaomi. “Flip Cover Protettivo per Mi4 Giallo” [2016] www.mi-italia.it. Feb. 4, 2016 <<http://www.mi-italia.it/review/product/list/id/175/>>.*

“Wallet Phone Cover With Detachable Case for ZTE Zmax, Flip Leather Phone Covers for ZTE” [2016] www.alibaba.com. Feb. 4, 2016 <http://www.alibaba.com/product-detail/Wallet-Phone-Cover-With-Detachable-Case_60173683178.html>.*

* cited by examiner

FIG. 1

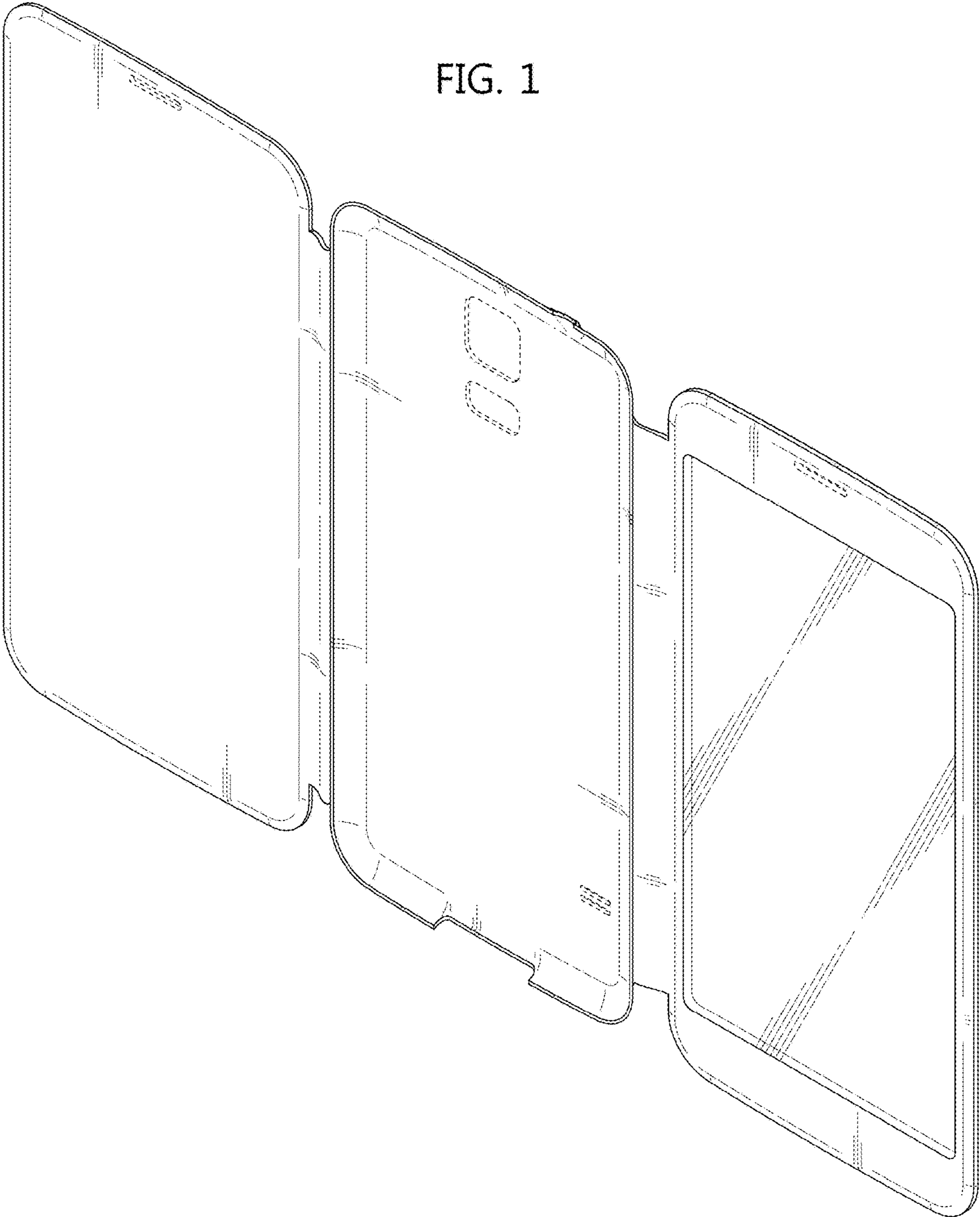


FIG. 2

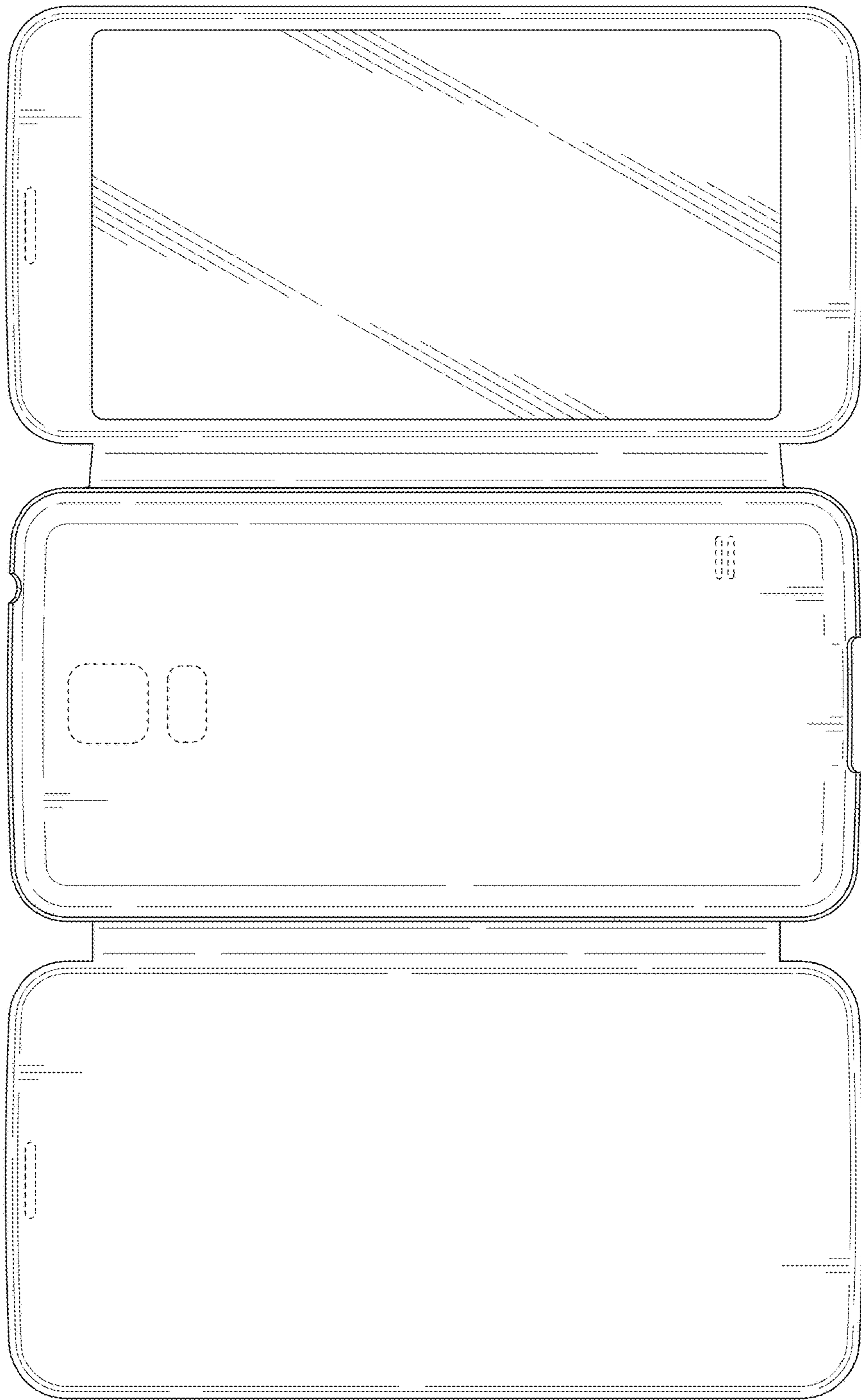


FIG. 3

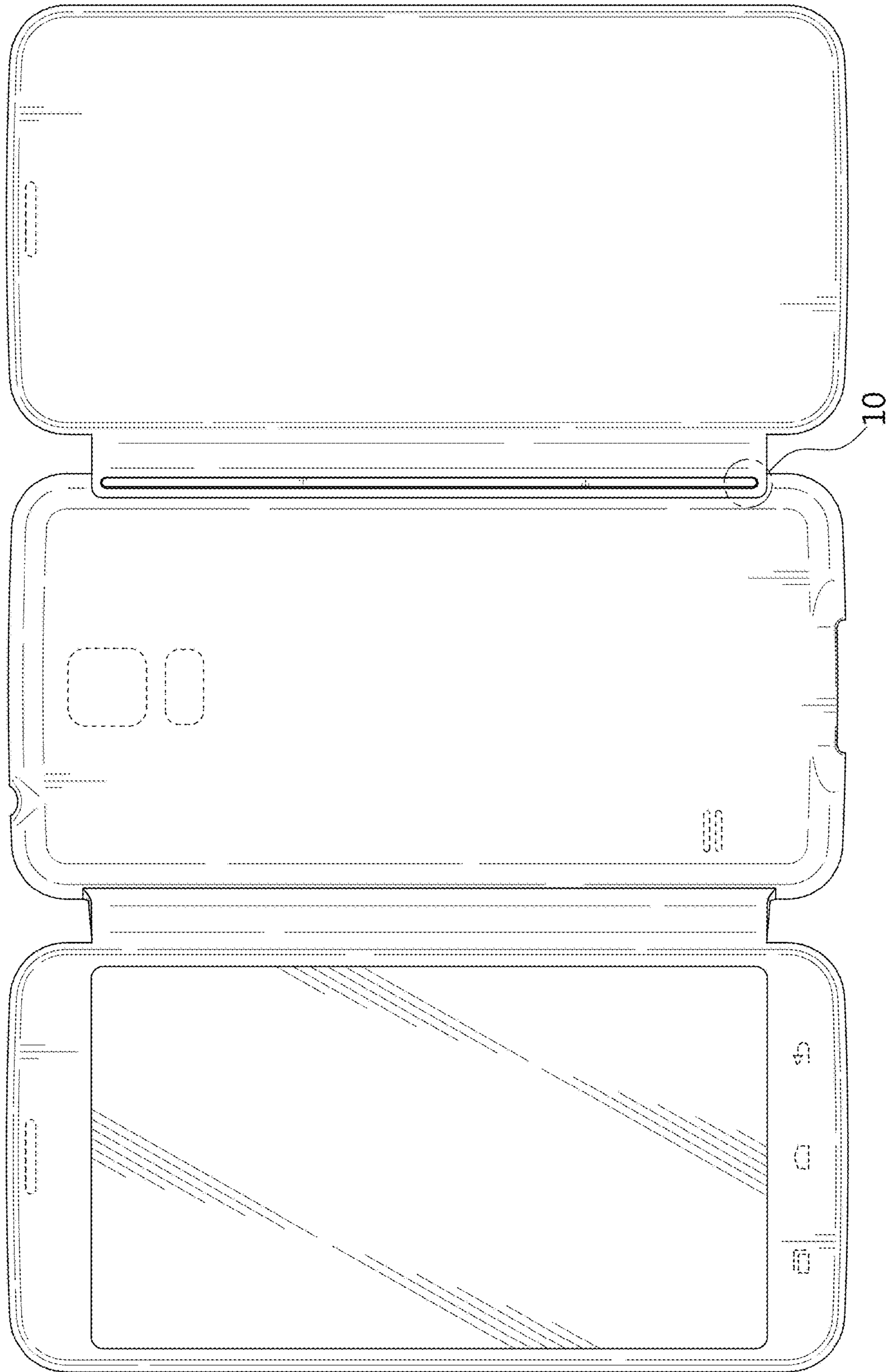




FIG. 5

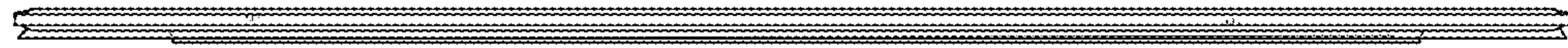


FIG. 6

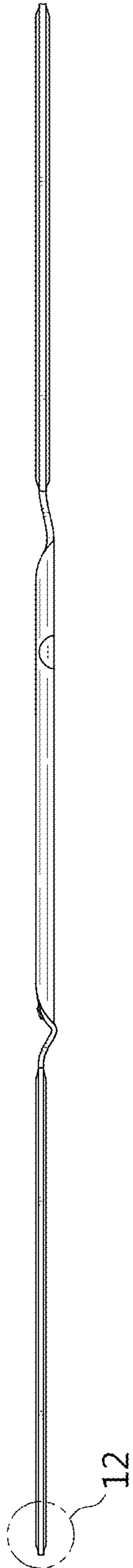


FIG. 7



FIG. 8

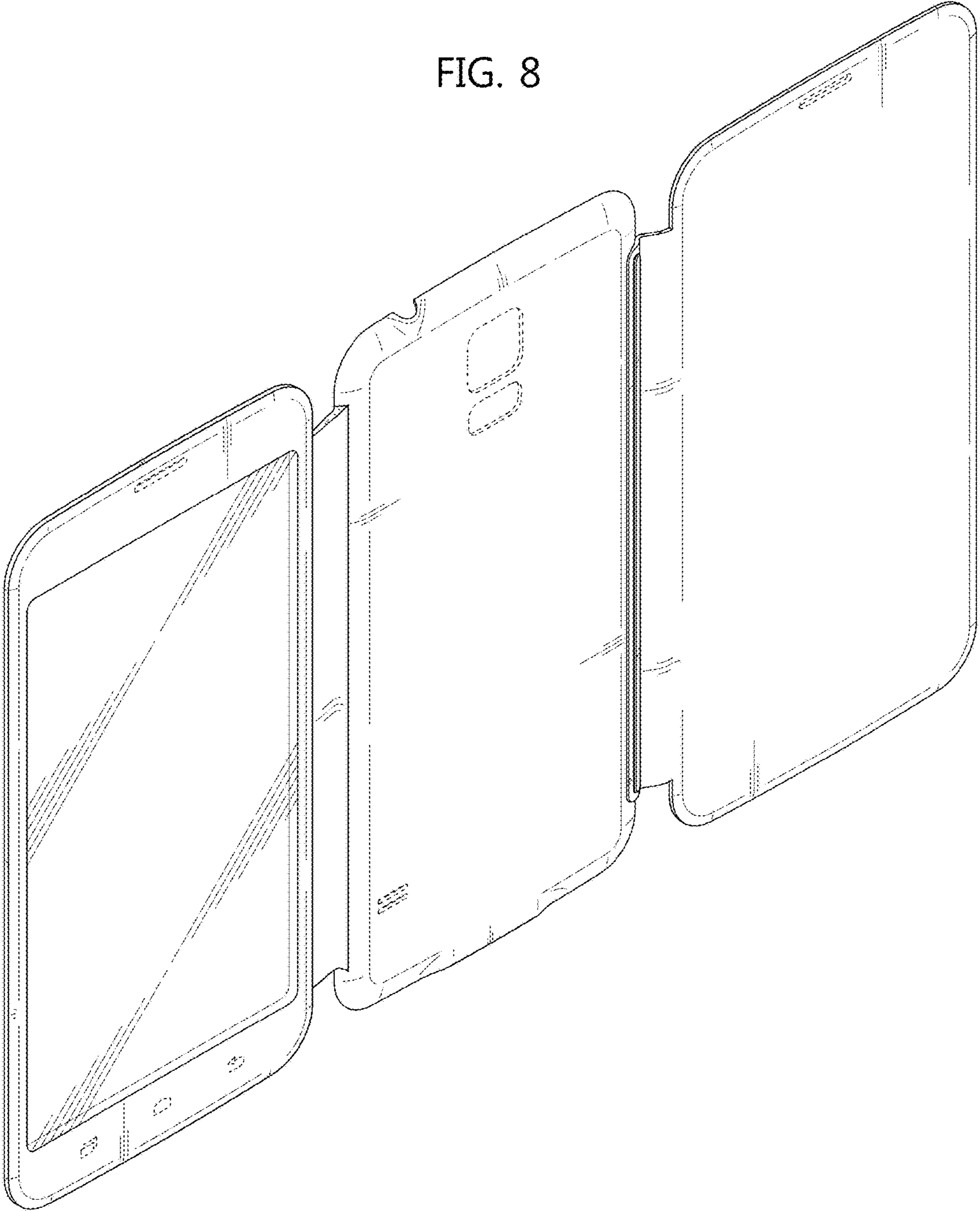


FIG. 9

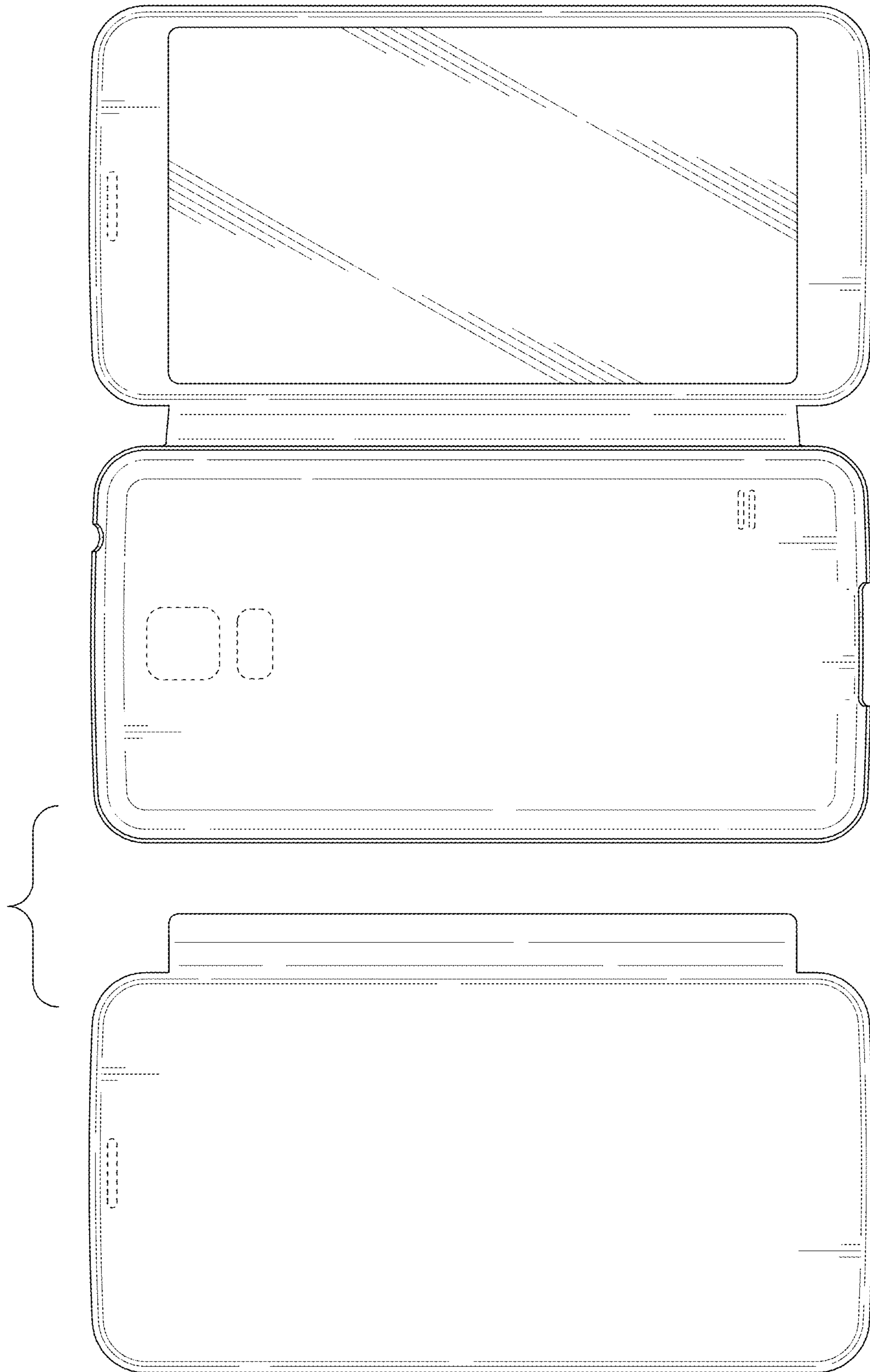


FIG. 10

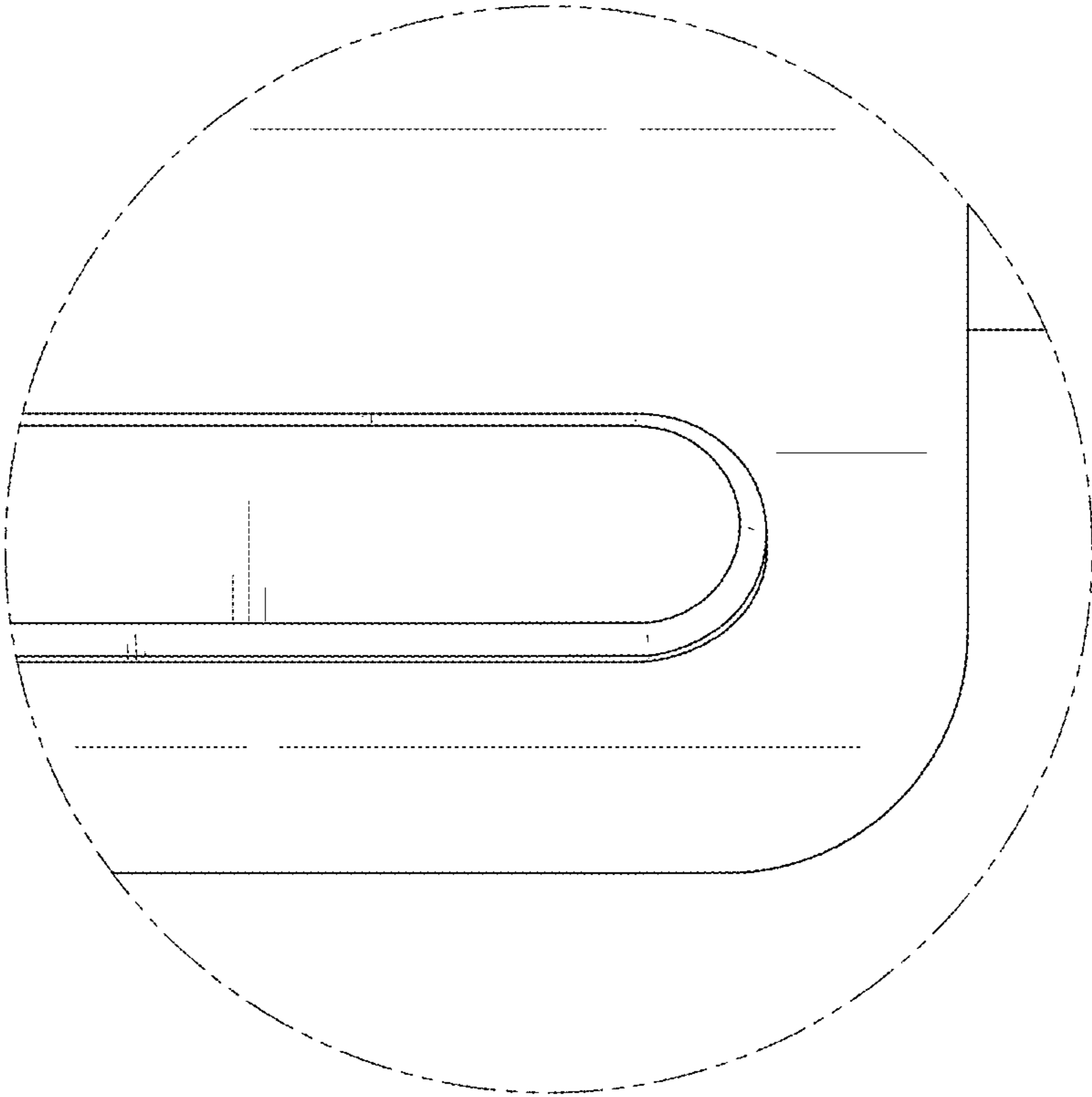


FIG. 11

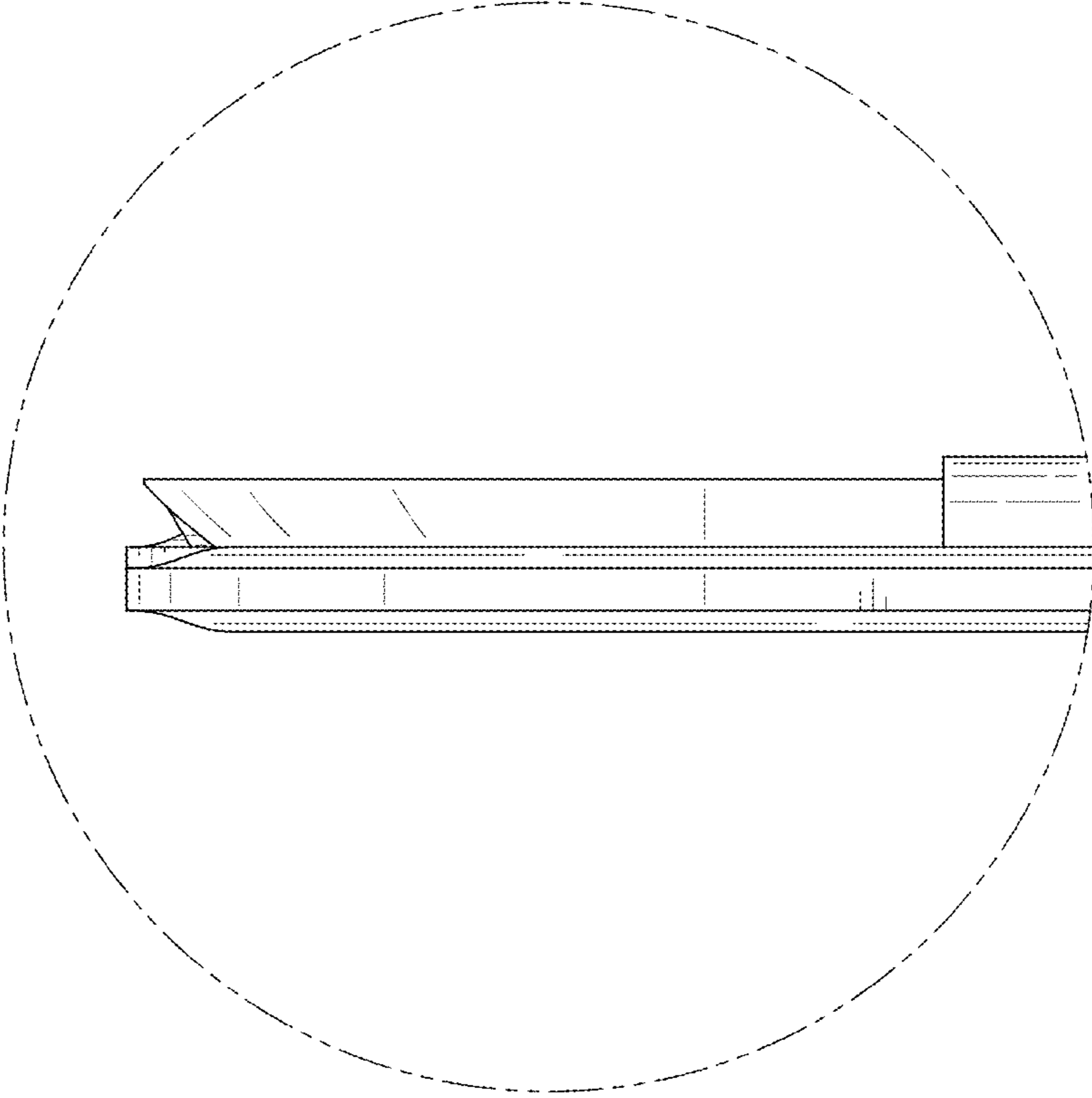


FIG. 12

