



US00D814454S

(12) **United States Design Patent**
Dickow

(10) **Patent No.:** **US D814,454 S**
(45) **Date of Patent:** **** Apr. 3, 2018**

(54) **CONTROL CABINET HOUSING FOR AN EXHAUST MEASURING SYSTEM**

6,554,697 B1 * 4/2003 Koplin G06F 1/18
361/690

(71) Applicant: **AVL EMISSION TEST SYSTEMS GMBH, Neuss (DE)**

D670,294 S * 11/2012 Kuehn D14/441

8,982,554 B2 * 3/2015 Stewart H05K 7/20145

312/223.2

(72) Inventor: **Achim Dickow, Velbert (DE)**

D767,427 S * 9/2016 Smith D10/106.95

9,778,707 B1 * 10/2017 San Clemente G06F 1/182

(**) Term: **15 Years**

* cited by examiner

(21) Appl. No.: **35/502,156**

Primary Examiner — George D. Kirschbaum

(22) Filed: **Apr. 4, 2016**

(80) **Hague Agreement Data**

Int. Filing Date: **Apr. 4, 2016**

Int. Reg. No.: **DM/093850**

Int. Reg. Date: **Apr. 4, 2016**

Int. Reg. Pub. Date: **Dec. 23, 2016**

(57) **CLAIM**

The ornamental design for a control cabinet housing for an exhaust measuring system, as shown and described.

(51) **LOC (11) Cl.** **14-02**

(52) **U.S. Cl.**

USPC **D14/308**

DESCRIPTION

(58) **Field of Classification Search**

USPC D10/106.95; D14/441, 349, 350, 302, D14/308

CPC H05K 7/20145; G06F 1/182; G06F 1/18; G06F 1/1632; H02B 1/36

See application file for complete search history.

1. Control cabinet housing for an exhaust measuring system

1.1 : Front

1.2 : Right

1.3 : Left

1.4 : Bottom

1.5 : Top

1.6 : Perspective

1.7 : Unfolded

Control cabinet housing for an exhaust measurement system.

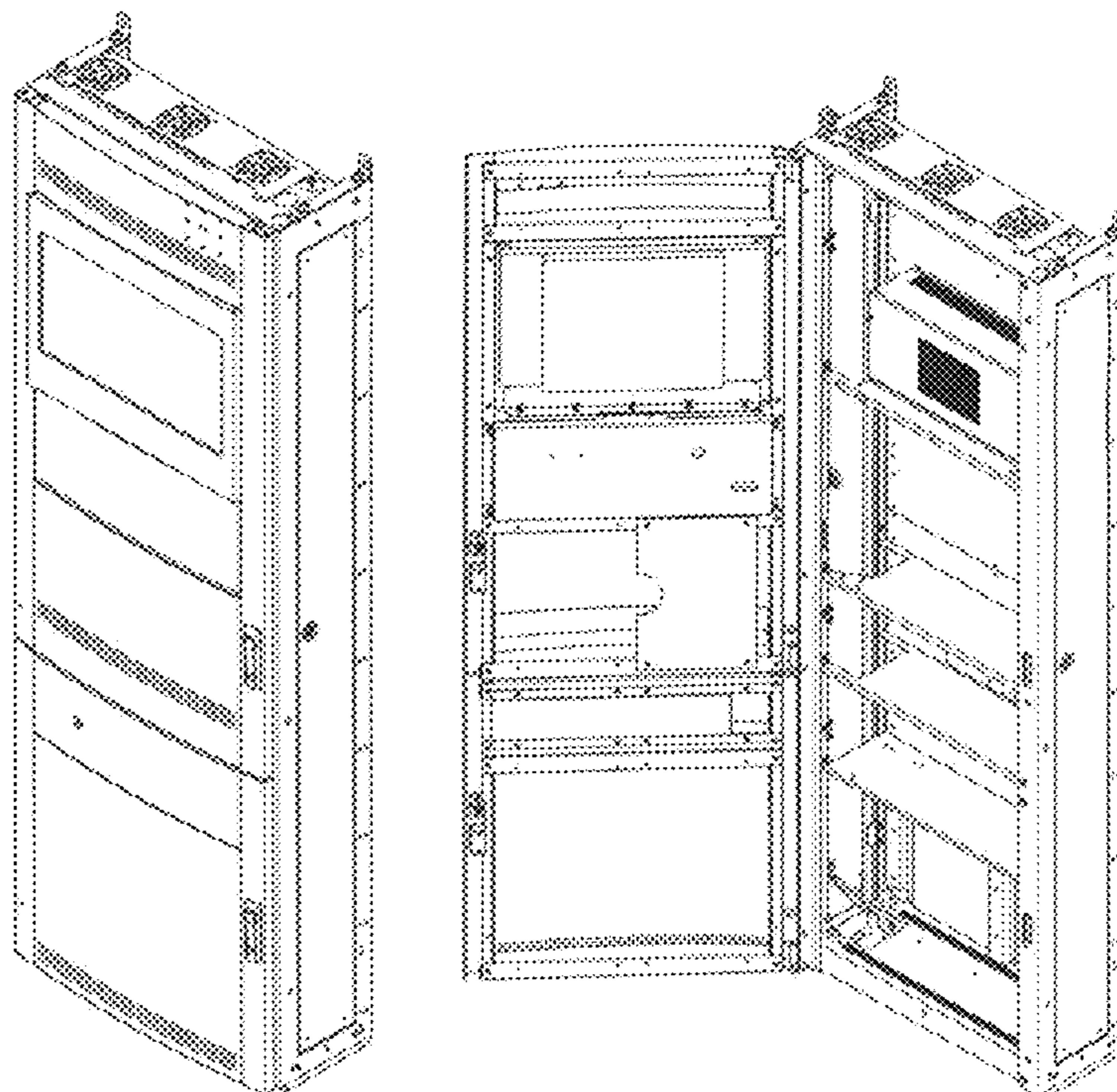
(56) **References Cited**

U.S. PATENT DOCUMENTS

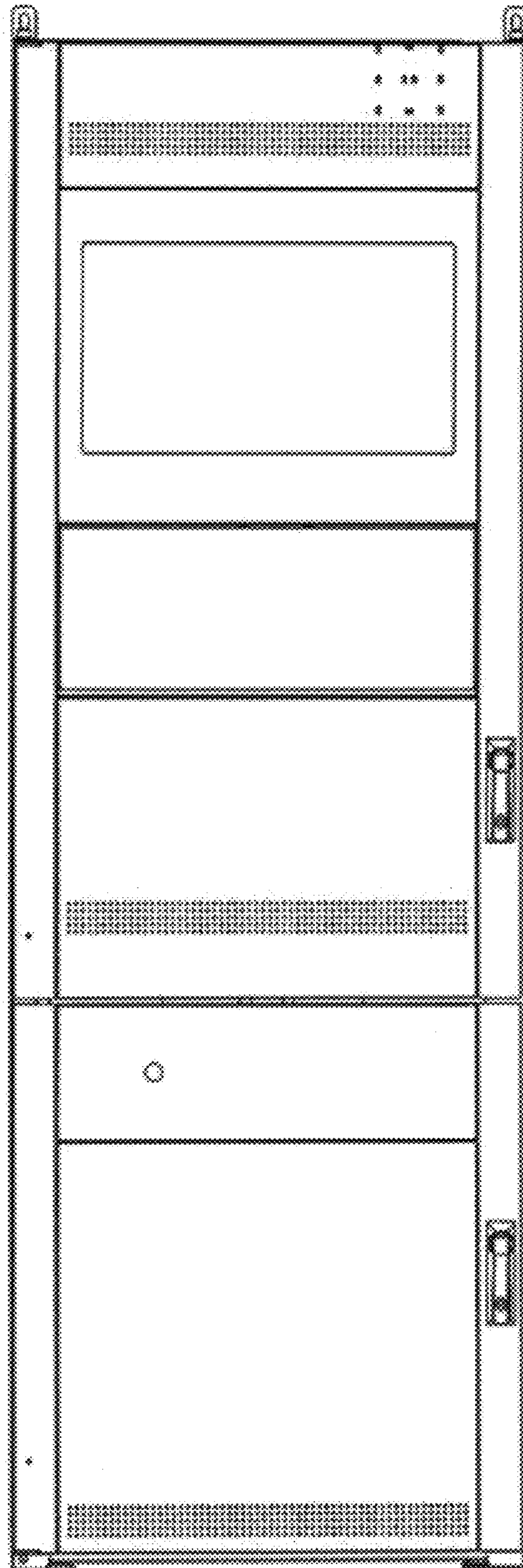
6,021,047 A * 2/2000 Lopez H02B 1/36
312/223.2

6,283,429 B1 * 9/2001 Markovich G06F 1/1632
248/286.1

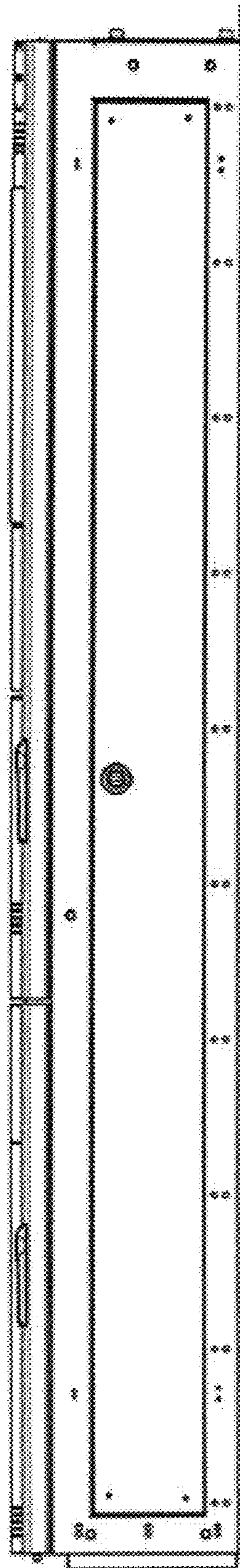
1 Claim, 7 Drawing Sheets



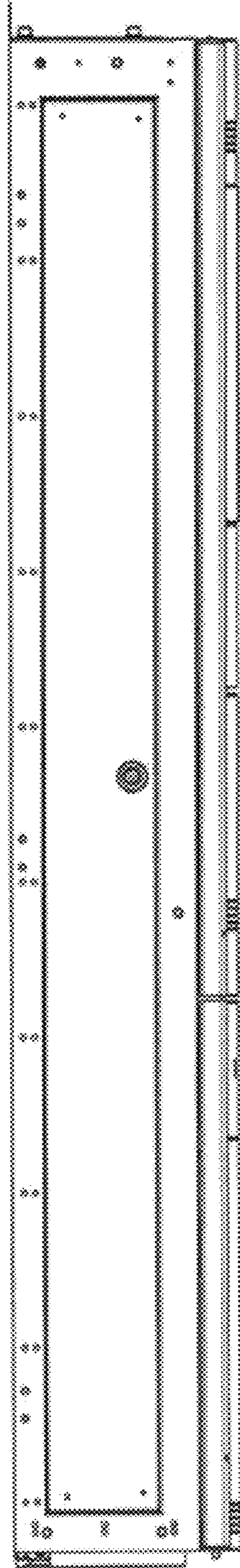
1.1



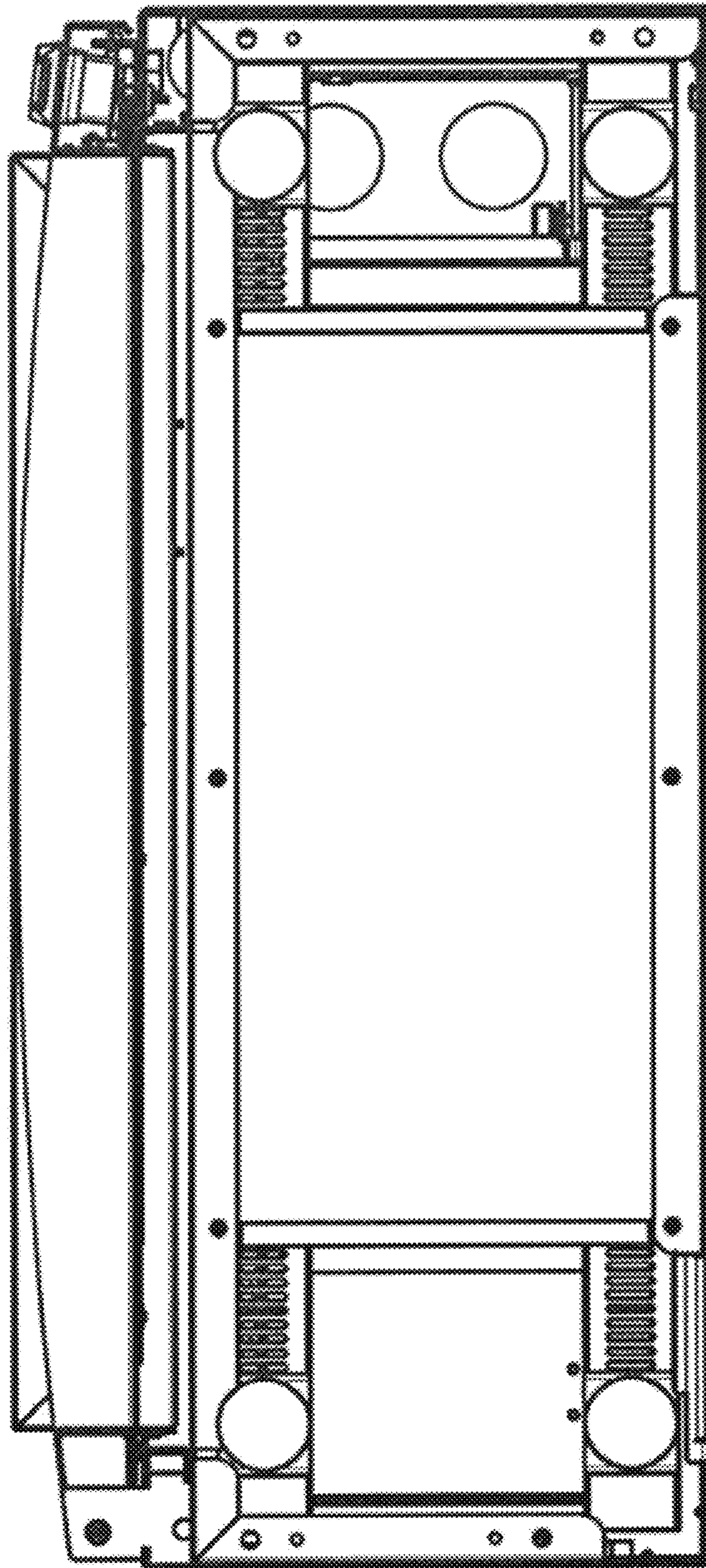
1.2



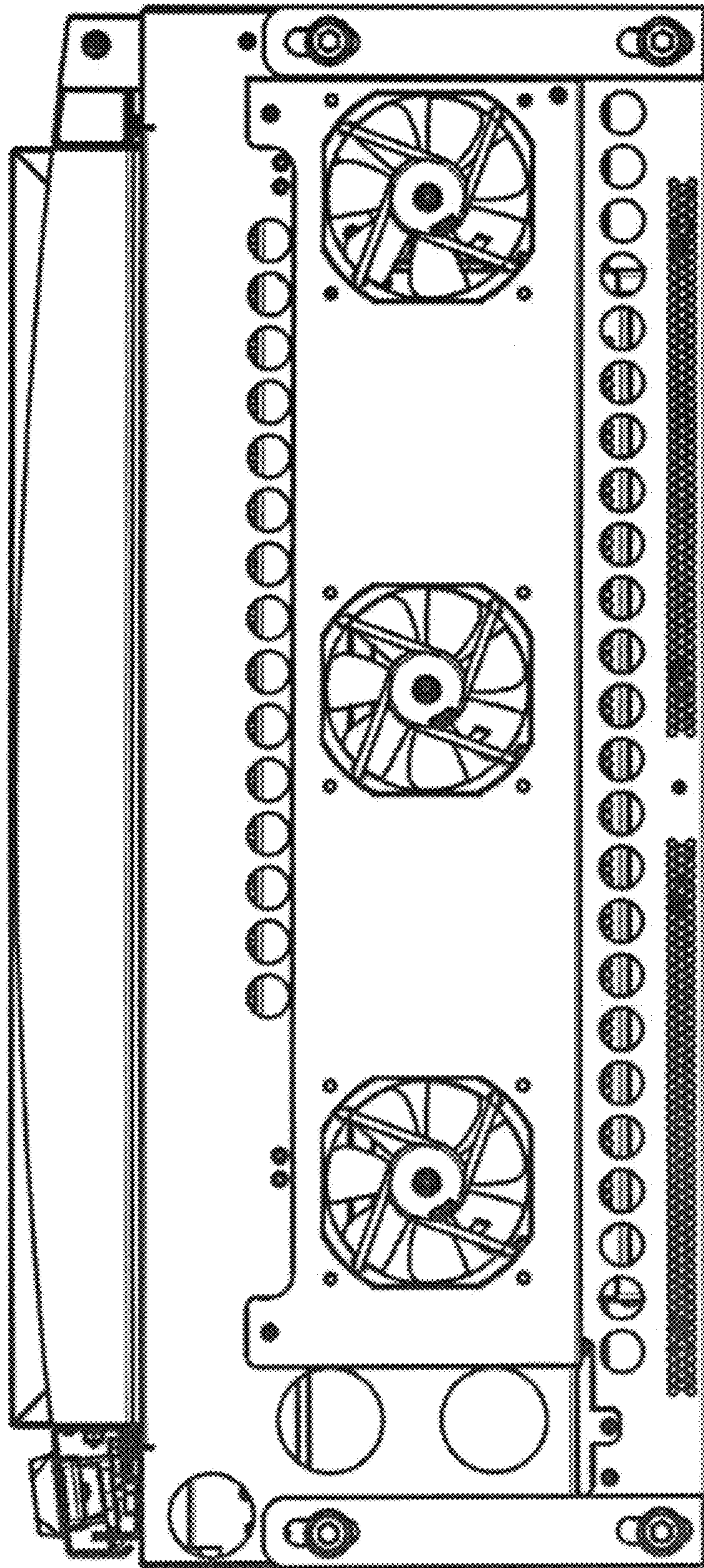
1.3



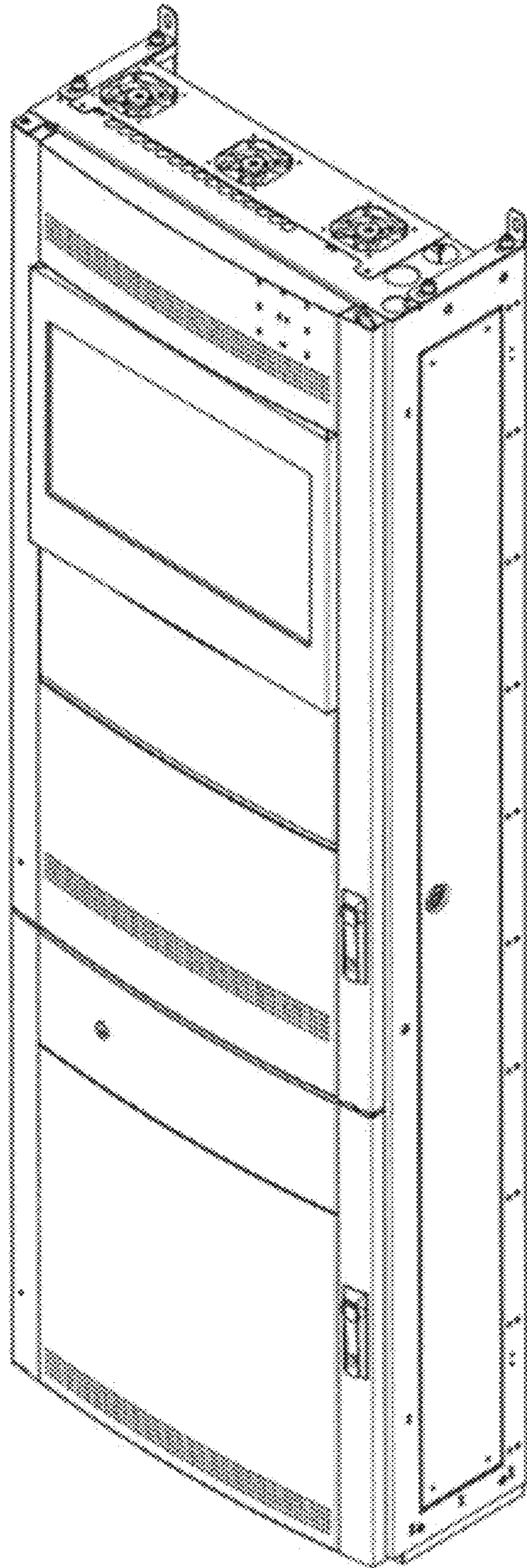
1.4



1.5



1.6



1.7

