



US00D814449S

(12) **United States Design Patent**  
**Kwak et al.**

(10) **Patent No.:** **US D814,449 S**  
(45) **Date of Patent:** **\*\* Apr. 3, 2018**

(54) **NETWORK TERMINAL**

- (71) Applicant: **SAMSUNG ELECTRONICS CO., LTD.**, Suwon-si, Gyeonggi-do (KR)
- (72) Inventors: **Jihee Kwak**, Seoul (KR); **Kyu-Cheol Kim**, Seoul (KR); **Eun-ae Lee**, Seoul (KR); **Moonjung Jang**, Gunpo-si (KR)
- (73) Assignee: **SAMSUNG ELECTRONICS CO., LTD.**, Gyeonggi-Do (KR)
- (\*\*) Term: **15 Years**
- (21) Appl. No.: **29/567,465**
- (22) Filed: **Jun. 9, 2016**
- (30) **Foreign Application Priority Data**

Feb. 19, 2016 (KR) ..... 30-2016-0007771

(51) **LOC (11) Cl.** ..... **14-03**

(52) **U.S. Cl.**  
USPC ..... **D14/240; D14/358; D14/140.6**

(58) **Field of Classification Search**  
 USPC ..... D14/356, 357, 358, 361, 362, 365, 367, D14/370, 388, 432, 434, 203.1, 203.6, D14/204, 205, 216, 240, 242, 299, 125, D14/129, 130, 140, 155, 168, 188, 195, D14/300, 302, 314, 348, 351, 496, 142, D14/230, 231, 233, 235, 236, 237; D13/103, 107, 108, 123, 152, 162, 162.1, D13/163, 168, 184, 199, 158; D10/104.1, D10/106.6, 116.1, 61, 64, 75, 106.9  
 CPC ... H04W 88/08; H04W 88/085; H04W 88/00; H04W 88/005; H04W 88/02; H04W 88/12; H04W 88/14; H04W 88/16; H04W 88/18; H04W 4/00; H01Q 1/02; H01Q 1/2291; H01Q 1/246; H04B 1/38  
 See application file for complete search history.

(56) **References Cited**

**U.S. PATENT DOCUMENTS**

- 3,317,912 A \* 5/1967 Kelleher ..... H01Q 21/20  
343/836
- 3,922,682 A \* 11/1975 Hyde ..... H01Q 19/19  
343/761

(Continued)

**OTHER PUBLICATIONS**

Networking Terminals and Base Stations. (Design—© Questel). orbit.com.[online PDF] 55 pgs. Print Dates range Mar. 16, 2009 through Sep. 1, 2017 [retrieved on Sep. 7, 2017] <https://sobjprd.questel.fr/export/QPTUJ214/pdf2/95189eb8-afcc-459c-88f9-931160dffe35-014222.pdf>.\*

*Primary Examiner* — Susan Bennett Hattan

*Assistant Examiner* — Marie D. Fast Horse

(74) *Attorney, Agent, or Firm* — Cantor Colburn LLP

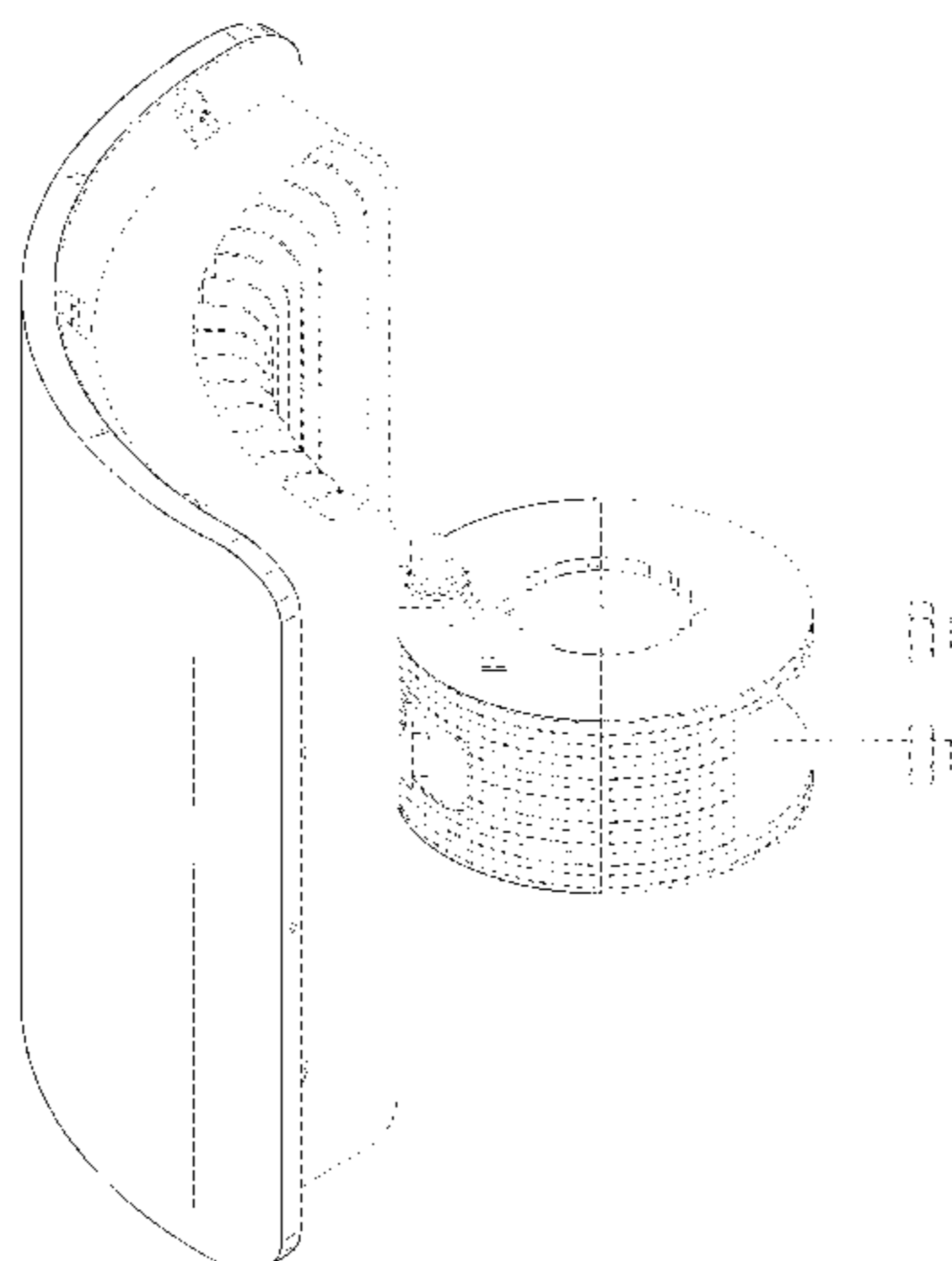
(57) **CLAIM**

The ornamental design for a network terminal, as shown and described.

**DESCRIPTION**

FIG. 1 is a perspective view of a network terminal, showing our new design;  
 FIG. 2 is a front view of FIG. 1;  
 FIG. 3 is a rear view of FIG. 1;  
 FIG. 4 is a left side view of FIG. 1;  
 FIG. 5 is a left side view of FIG. 1;  
 FIG. 6 is a top view of FIG. 1;  
 FIG. 7 is a bottom view of FIG. 1; and,  
 FIG. 8 is another perspective view thereof, shown with environmental subject matter.  
 The broken lines in FIG. 8 showing the cylindrical pole depict environmental subject matter only and form no part of the claimed design.  
 The broken lines illustrating portions of a network terminal form no part of the claimed design. The claim is directed to the design shown in solid lines and shaded surfaces; all unshaded surfaces shown between the broken lines and solid lines form no part of the claimed design.

**1 Claim, 8 Drawing Sheets**



(56)

References Cited

U.S. PATENT DOCUMENTS

D244,038 S \* 4/1977 Pizon ..... D14/230  
 D244,039 S \* 4/1977 Pizon ..... D14/230  
 D244,096 S \* 4/1977 Pizon ..... D14/230  
 D342,523 S \* 12/1993 Morgan ..... D13/156  
 D363,288 S \* 10/1995 Brehmer ..... D14/230  
 D365,347 S \* 12/1995 Geneve ..... D14/230  
 D366,046 S \* 1/1996 Oba ..... D14/230  
 D375,297 S \* 11/1996 Casarez ..... D14/242  
 D413,313 S \* 8/1999 Henderson ..... D14/137  
 D429,352 S \* 8/2000 Weinstein ..... D26/26  
 D445,943 S \* 7/2001 Littman ..... D26/87  
 D449,590 S \* 10/2001 Lewis ..... D14/188  
 6,470,193 B1 \* 10/2002 Stolt ..... H01P 1/2131  
 375/299  
 D471,538 S \* 3/2003 Forsyth ..... D14/230  
 6,556,811 B1 \* 4/2003 Sayers ..... H04B 1/036  
 343/702  
 D480,387 S \* 10/2003 Burns ..... H01Q 9/28  
 D14/230  
 D481,031 S \* 10/2003 Wang ..... D14/235  
 D486,146 S \* 2/2004 Dearnley ..... D14/230  
 D501,000 S \* 1/2005 Wang ..... D14/235  
 D505,129 S \* 5/2005 Yuyama ..... D14/168  
 D505,130 S \* 5/2005 Yuyama ..... D14/168

D517,537 S \* 3/2006 Wang ..... D14/230  
 7,349,701 B2 \* 3/2008 Lastinger ..... H01Q 1/246  
 455/446  
 D571,788 S \* 6/2008 King, Jr. .... D14/217  
 D581,911 S \* 12/2008 Ferguson ..... D14/231  
 D597,543 S \* 8/2009 Urban ..... D14/356  
 D598,012 S \* 8/2009 Kokkonen ..... D14/240  
 D619,992 S \* 7/2010 Wayman ..... D14/140.5  
 D623,797 S \* 9/2010 Boissevain ..... D26/118  
 D625,460 S \* 10/2010 Boissevain ..... D26/118  
 D627,919 S \* 11/2010 Trice ..... D26/121  
 D655,280 S \* 3/2012 MacManus ..... D14/140.1  
 D658,598 S \* 5/2012 Ling ..... D13/177  
 D677,635 S \* 3/2013 Ling ..... D13/177  
 D715,228 S \* 10/2014 Lee ..... D13/158  
 D717,284 S \* 11/2014 Kurosawa ..... D14/240  
 D742,864 S \* 11/2015 Kurosawa ..... D14/240  
 D748,238 S \* 1/2016 Mecker ..... D23/366  
 D749,065 S \* 2/2016 Zetsu ..... D14/242  
 D755,762 S \* 5/2016 Moon ..... D14/242  
 D759,639 S \* 6/2016 Moon ..... D14/242  
 D760,205 S \* 6/2016 Zheng ..... D14/230  
 D778,380 S \* 2/2017 Nokes ..... D21/807  
 D783,880 S \* 4/2017 McVey ..... D26/85  
 D789,360 S \* 6/2017 Moon ..... D14/240  
 D794,635 S \* 8/2017 Nimre ..... D14/230

\* cited by examiner

FIG. 1

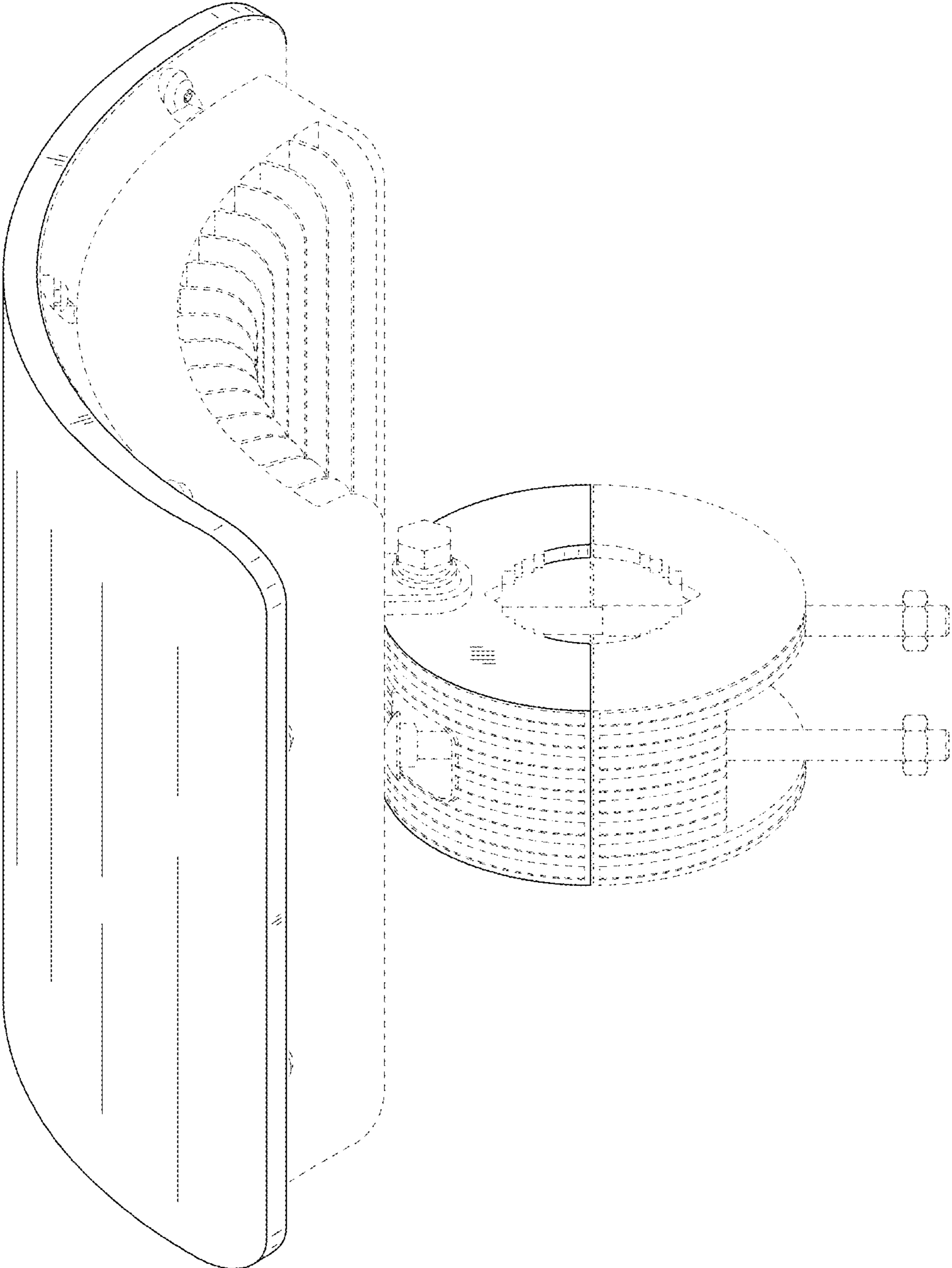
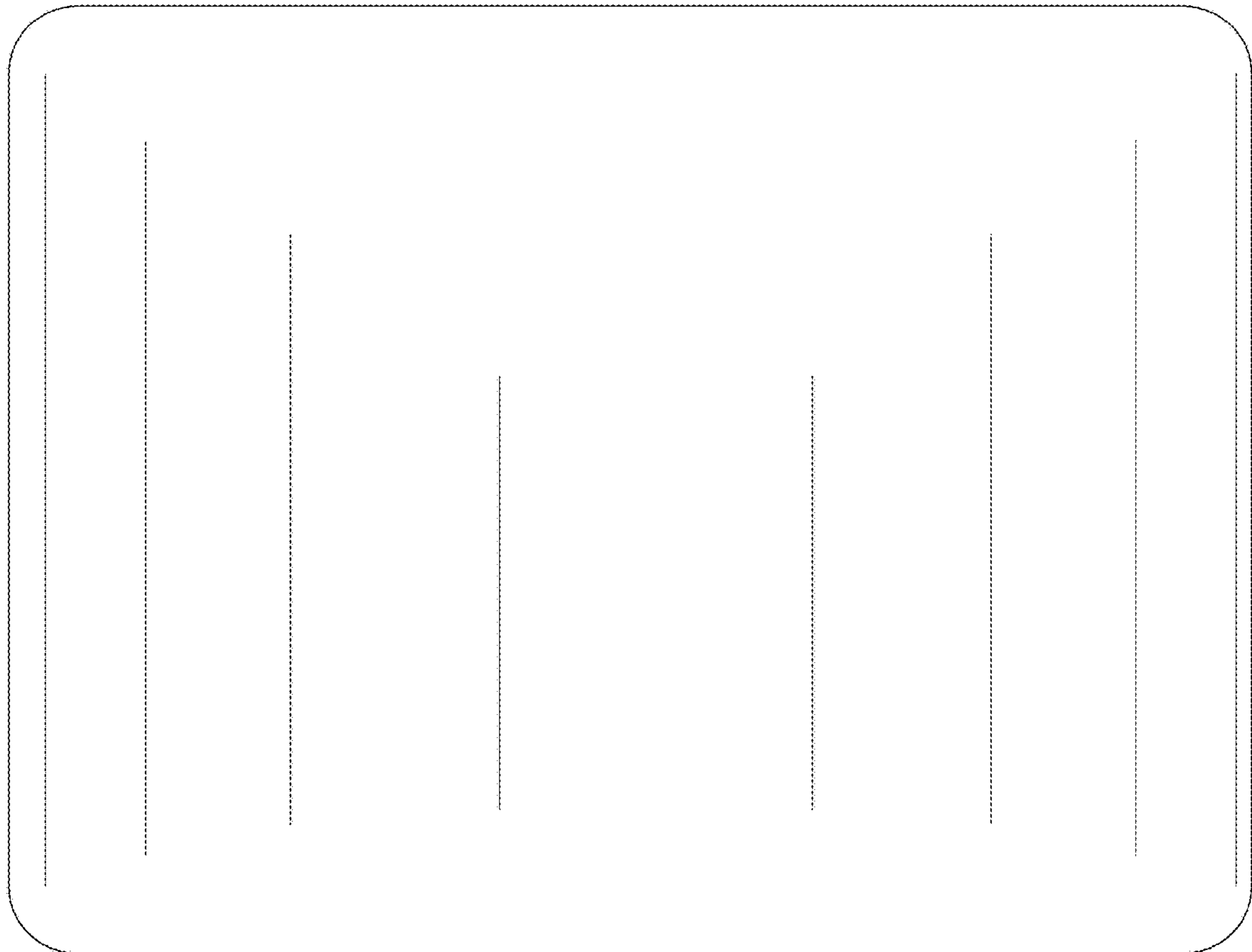


FIG. 2



100 101 102 103 104 105 106



FIG. 3

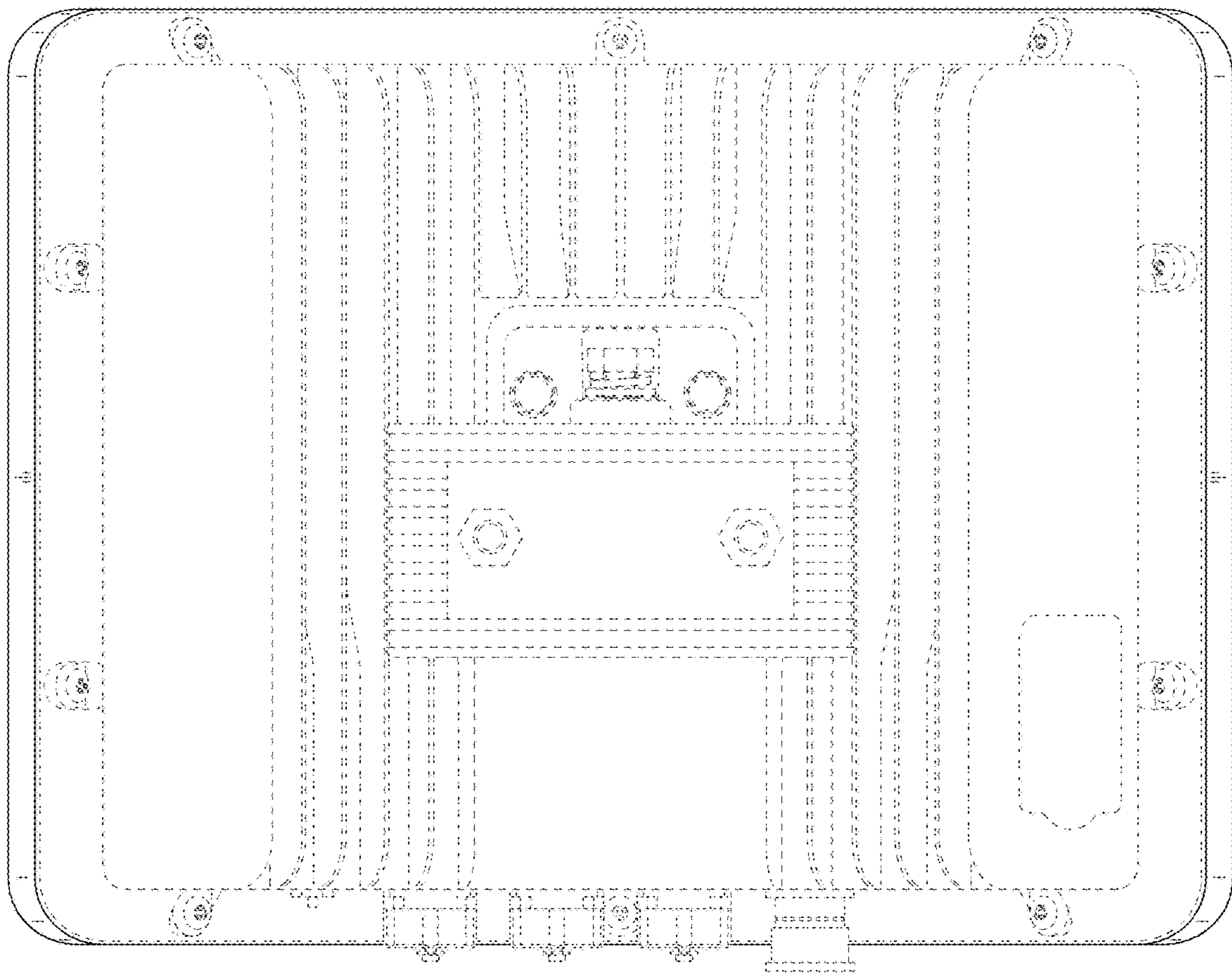


FIG. 4

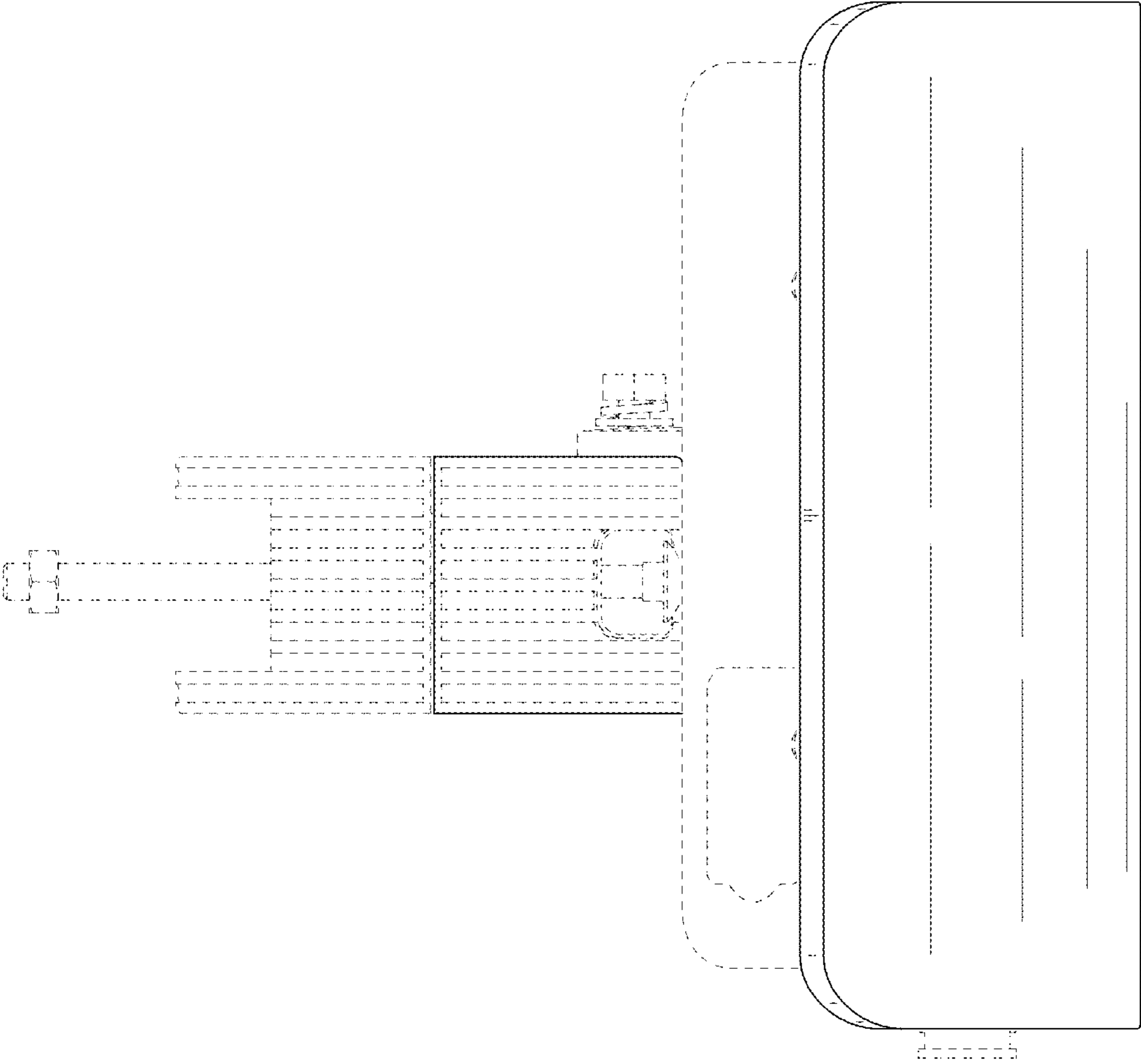


FIG. 5

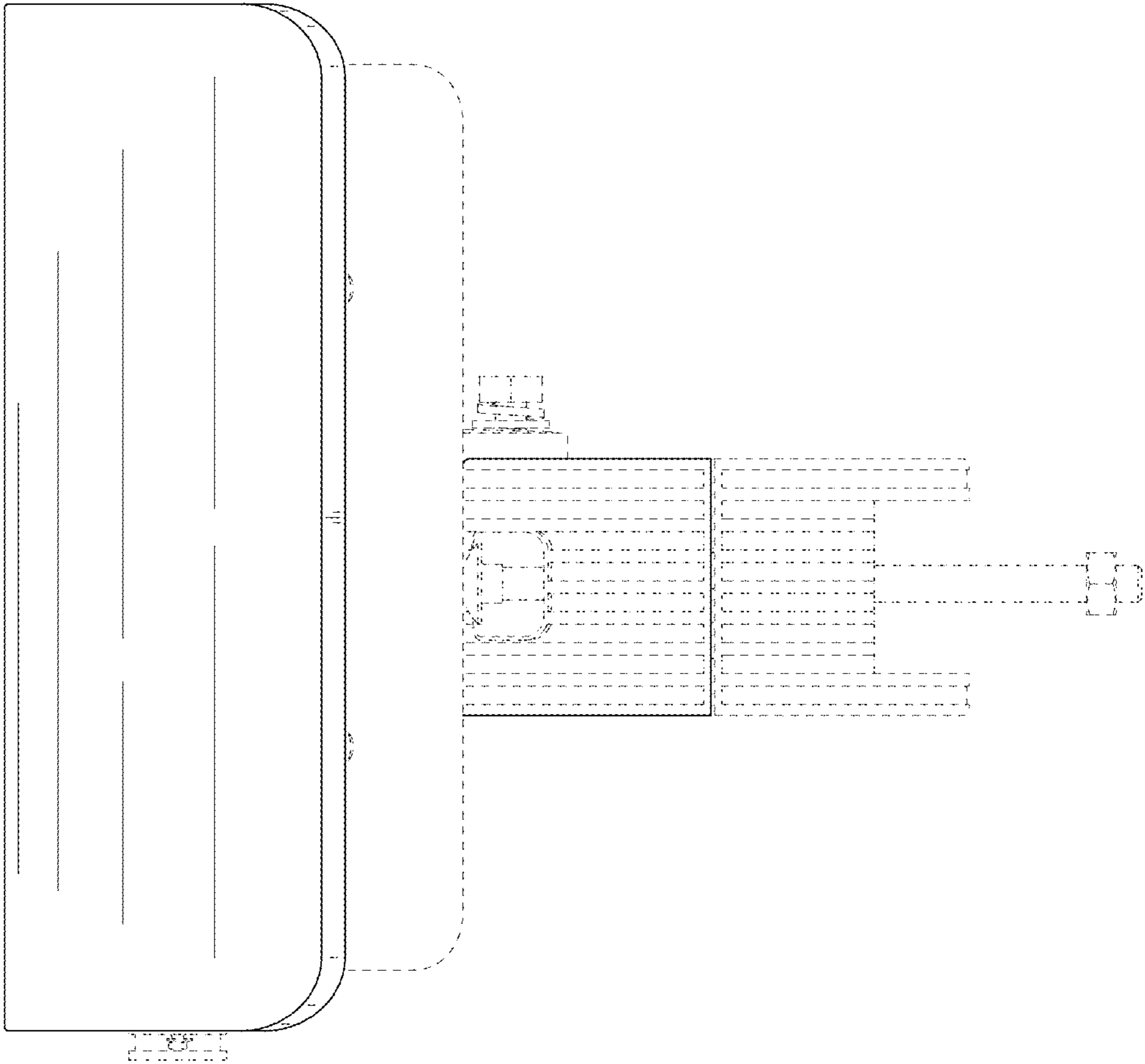


FIG. 6

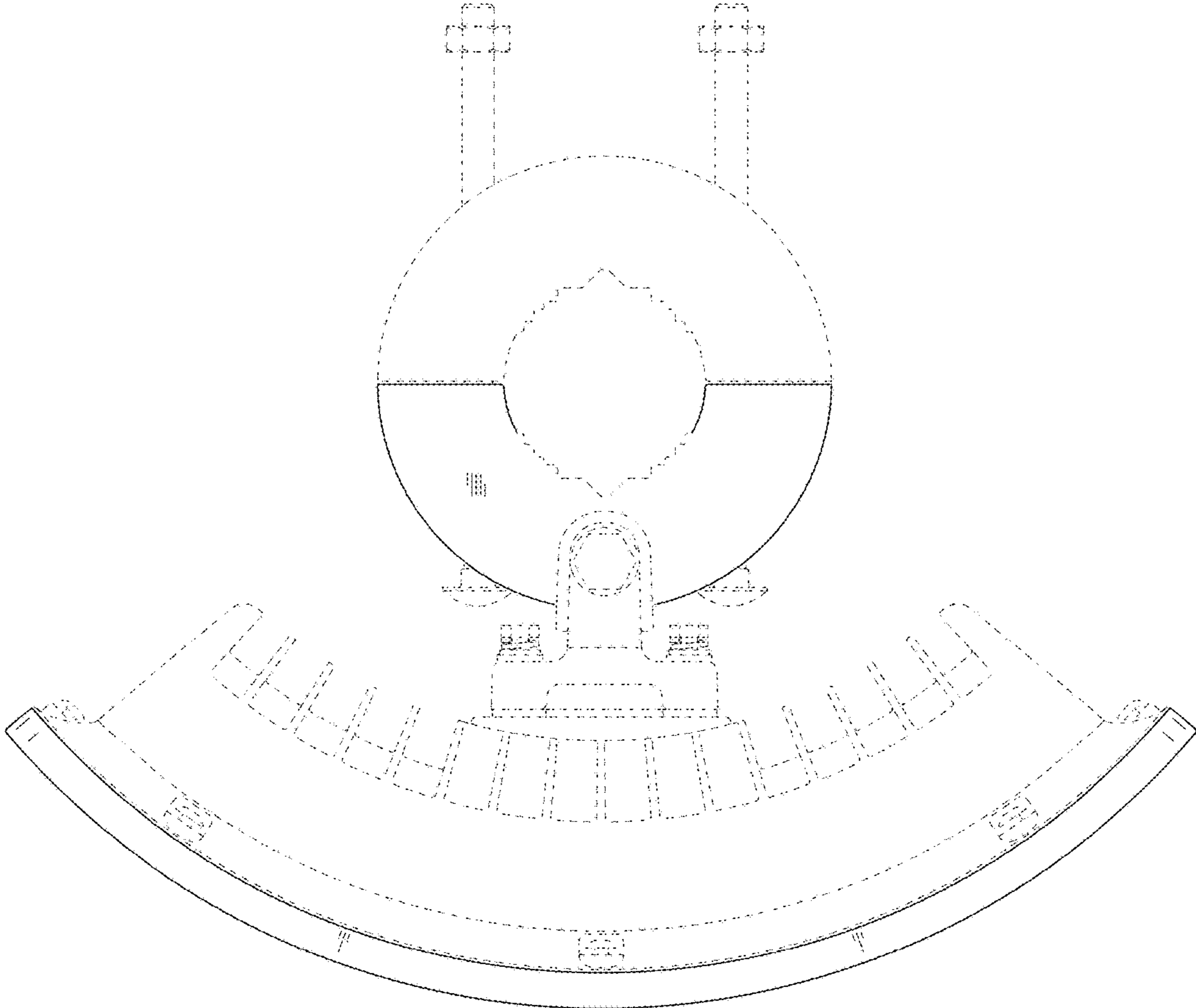




FIG. 7

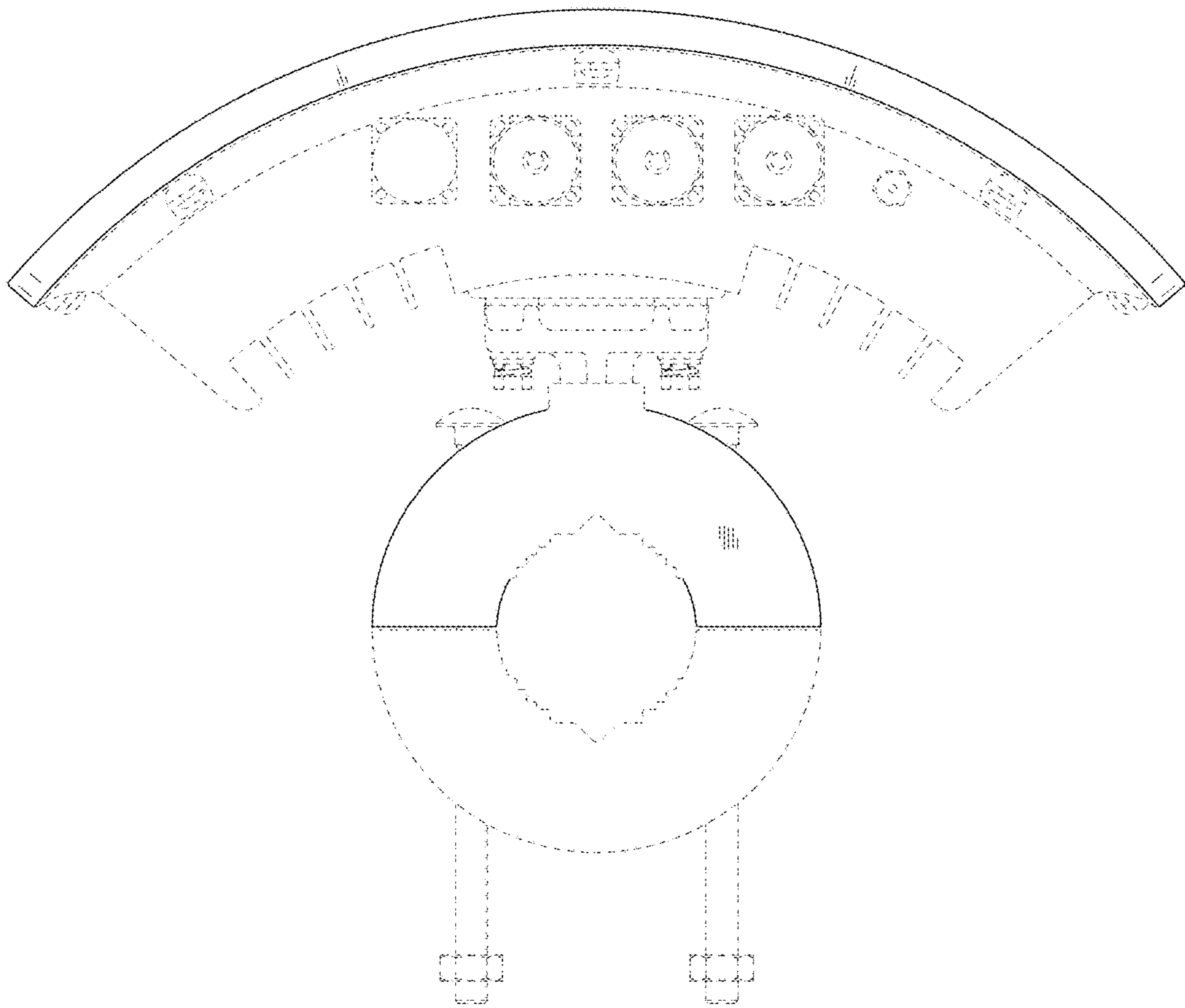


FIG. 8

