



US00D814448S

(12) **United States Design Patent**
Montgomery

(10) **Patent No.:** **US D814,448 S**

(45) **Date of Patent:** **** Apr. 3, 2018**

- (54) **ANTENNA**
- (71) Applicant: **Airgain Incorporated**, San Diego, CA (US)
- (72) Inventor: **Mark Montgomery**, Melbourne Beach, FL (US)
- (73) Assignee: **Airgain Incorporated**, San Diego, CA (US)

(**) Term: **15 Years**

(21) Appl. No.: **29/600,278**

(22) Filed: **Apr. 11, 2017**

(51) **LOC (11) Cl.** **14-03**

(52) **U.S. Cl.**
USPC **D14/230**

(58) **Field of Classification Search**
USPC D14/137, 138 R, 138 AA, 148, 155, 167, D14/168, 230-238, 240, 242, 265, 299, D14/343, 358, 489, 492; D13/182
CPC H01Q 7/00; H01Q 13/10; H01Q 9/285; H01Q 19/30; H01Q 19/12; H01Q 1/38; H01Q 1/36; H01Q 1/0475; H01Q 1/034; H05K 11/00

See application file for complete search history.

(56) **References Cited**

U.S. PATENT DOCUMENTS

7,061,437 B2	6/2006	Lin et al.	
7,148,849 B2	12/2006	Lin	
7,215,296 B2	5/2007	Abramov et al.	
D546,821 S	7/2007	Oliver	
D549,696 S	8/2007	Oshima et al.	
7,333,067 B2	2/2008	Hung et al.	
7,336,959 B2	2/2008	Khitrik et al.	
7,339,529 B2 *	3/2008	Martek	H01Q 1/241 343/700 MS
D573,589 S	7/2008	Montgomery et al.	

7,405,704 B1	8/2008	Lin et al.	
7,477,195 B2	1/2009	Vance	
7,486,249 B2 *	2/2009	Fujita	H01Q 9/065 343/700 MS
D589,035 S *	3/2009	Hellgren	D14/230
D592,195 S	5/2009	Wu et al.	
D594,857 S *	6/2009	Deguchi	D14/230
7,570,215 B2	8/2009	Abramov et al.	
D599,334 S	9/2009	Chiang	
D606,053 S	12/2009	Wu et al.	
D607,442 S	1/2010	Su et al.	
D608,769 S	1/2010	Bufe	
D612,368 S	3/2010	Yang et al.	
7,705,783 B2	4/2010	Rao et al.	
7,729,662 B2	6/2010	Abramov et al.	
D621,819 S	8/2010	Tsai et al.	
7,830,322 B1 *	11/2010	Oliver	H01Q 21/064 343/700 MS
7,843,390 B2	11/2010	Liu	

(Continued)

Primary Examiner — Jeffrey D Asch

Assistant Examiner — Rebekah A Caruso

(74) *Attorney, Agent, or Firm* — Clause Eight IPS; Michael Catania

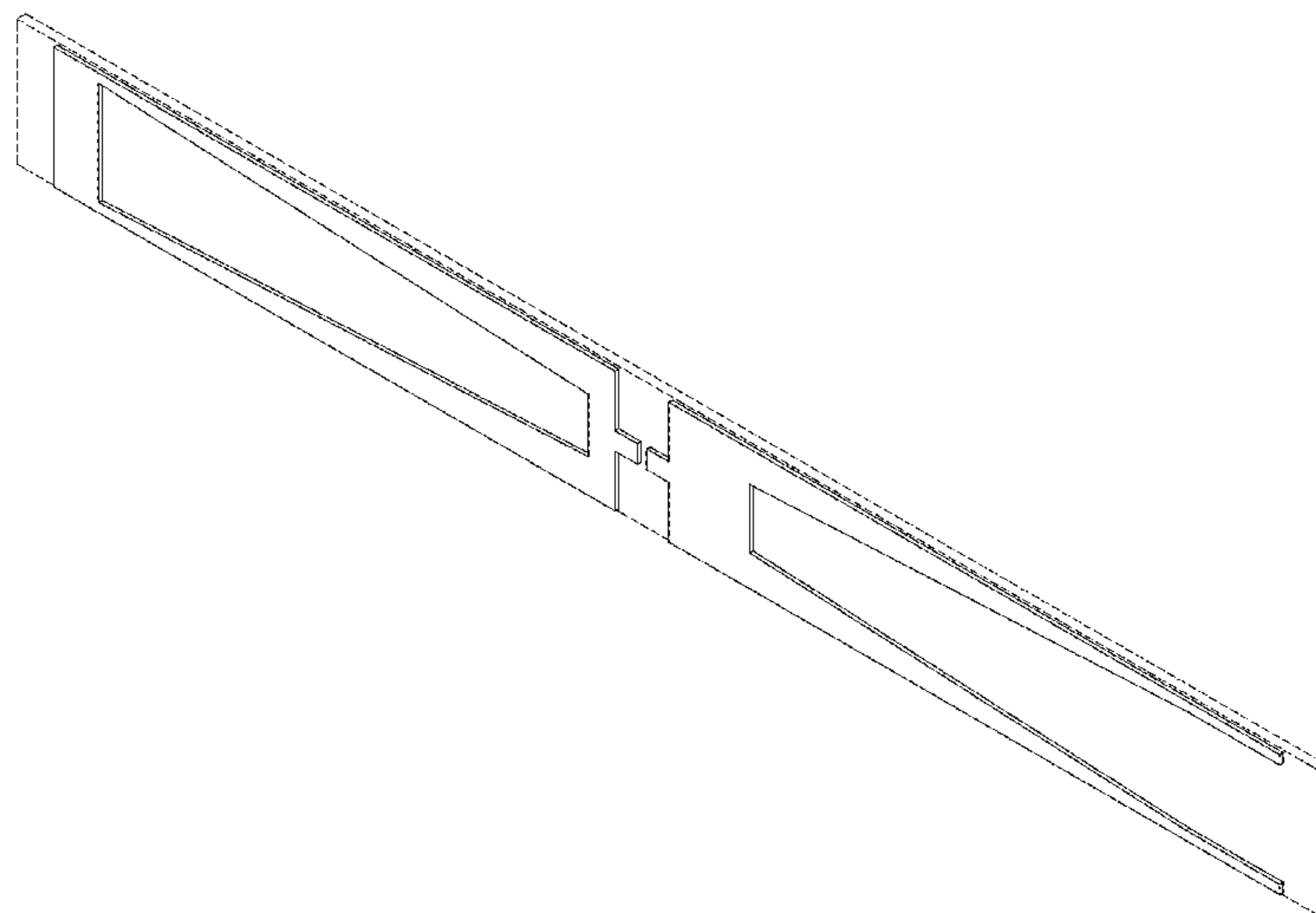
(57) **CLAIM**

The ornamental design for an antenna, as shown and described.

DESCRIPTION

FIG. 1 is a front elevation view of an antenna with a base in broken lines;
FIG. 2 is a side elevation view thereof;
FIG. 3 is an opposite side elevation view thereof;
FIG. 4 is a top plan view thereof;
FIG. 5 is a bottom plan view thereof;
FIG. 6 is a rear elevation view thereof; and,
FIG. 7 is a top perspective view thereof.
The broken lines are for illustration purposes only and form no part of the claimed invention.

1 Claim, 7 Drawing Sheets



(56)

References Cited

U.S. PATENT DOCUMENTS

D633,483 S 3/2011 Su et al.
 D635,127 S 3/2011 Tsai et al.
 7,907,971 B2 3/2011 Salo et al.
 D635,560 S 4/2011 Tsai et al.
 D635,963 S 4/2011 Podduturi
 D635,964 S 4/2011 Podduturi
 D635,965 S 4/2011 Mi et al.
 D636,382 S 4/2011 Podduturi
 7,965,242 B2 6/2011 Abramov et al.
 D649,962 S 12/2011 Tseng et al.
 D651,198 S 12/2011 Mi et al.
 D654,059 S 2/2012 Mi et al.
 D654,060 S 2/2012 Ko et al.
 D658,639 S 5/2012 Huang et al.
 D659,129 S 5/2012 Mi et al.
 D659,685 S 5/2012 Huang et al.
 D659,688 S 5/2012 Huang et al.
 8,175,036 B2 5/2012 Visuri et al.
 8,184,601 B2 5/2012 Abramov et al.
 D662,916 S 7/2012 Huang et al.
 8,248,970 B2 8/2012 Abramov et al.
 D671,097 S 11/2012 Mi et al.
 8,310,402 B2 11/2012 Yang
 D676,429 S 2/2013 Gosalia et al.
 D678,255 S 3/2013 Ko et al.
 8,400,364 B2* 3/2013 Kotaka H01Q 1/243
 343/700 MS
 8,423,084 B2 4/2013 Abramov et al.
 D684,565 S 6/2013 Wei
 D685,352 S 7/2013 Wei
 D685,772 S 7/2013 Zheng et al.
 D686,600 S 7/2013 Yang
 D689,474 S 9/2013 Yang et al.
 D692,870 S 11/2013 He
 D694,738 S 12/2013 Yang
 D695,279 S 12/2013 Yang et al.
 D695,280 S 12/2013 Yang et al.
 8,654,030 B1 2/2014 Mercer
 D703,195 S 4/2014 Zheng
 D703,196 S 4/2014 Zheng

8,723,750 B2* 5/2014 Podduturi H01Q 1/2233
 343/702
 D706,247 S 6/2014 Zheng et al.
 D706,750 S 6/2014 Bringuir
 D706,751 S 6/2014 Chang et al.
 D708,602 S 7/2014 Gosalia et al.
 D709,053 S 7/2014 Chang et al.
 D710,339 S* 8/2014 Bishop D14/230
 D710,832 S 8/2014 Yang
 D710,833 S 8/2014 Zheng et al.
 8,854,265 B1 10/2014 Yang et al.
 8,866,685 B2* 10/2014 Lee H01Q 5/00
 343/770
 D716,775 S 11/2014 Bidermann
 D764,447 S* 8/2016 Yang D14/230
 9,432,070 B2 8/2016 Mercer
 D767,544 S* 9/2016 Yang D14/230
 D801,318 S* 10/2017 Manivannan D14/230
 2002/0003499 A1 1/2002 Kouarn et al.
 2003/0231139 A1* 12/2003 Tai H01Q 1/241
 343/795
 2004/0183728 A1* 9/2004 Zinanti H01Q 1/085
 343/700 MS
 2004/0222936 A1 11/2004 Hung et al.
 2005/0073462 A1 4/2005 Lin et al.
 2005/0190108 A1 9/2005 Lin et al.
 2006/0208900 A1 9/2006 Tavassoli Hozouri
 2007/0030203 A1 2/2007 Tsai et al.
 2008/0150829 A1 6/2008 Lin et al.
 2009/0002244 A1 1/2009 Woo
 2009/0058739 A1 3/2009 Konishi
 2009/0135072 A1 5/2009 Ke et al.
 2009/0262028 A1 10/2009 Murnbru et al.
 2010/0060526 A1* 3/2010 Cheng H01Q 1/38
 343/700 MS
 2010/0188297 A1 7/2010 Chen et al.
 2010/0309067 A1 12/2010 Tsou et al.
 2011/0006950 A1 1/2011 Park et al.
 2012/0038514 A1 2/2012 Bang
 2012/0229348 A1 9/2012 Chiang
 2012/0242546 A1 9/2012 Hu et al.

* cited by examiner

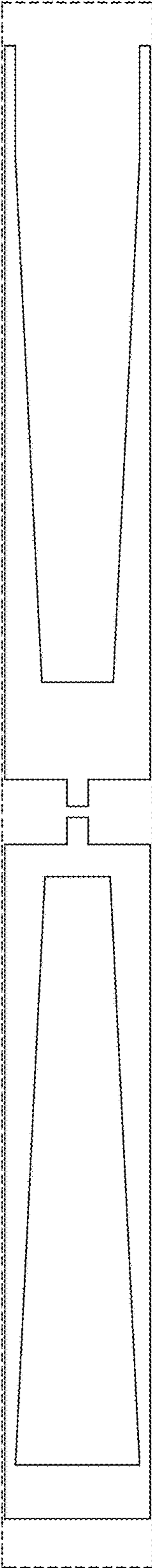


FIG. 1



FIG. 2

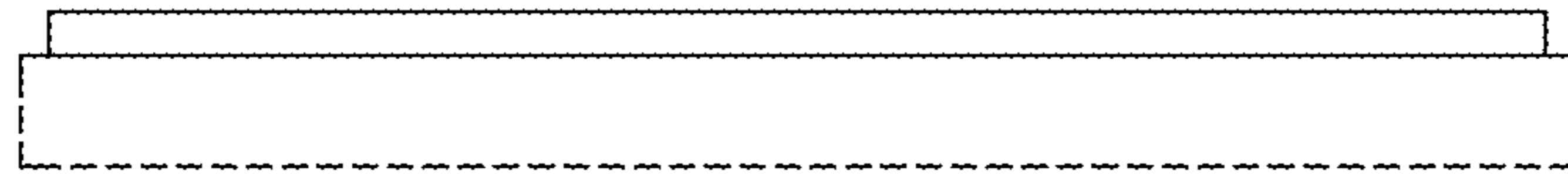


FIG. 3

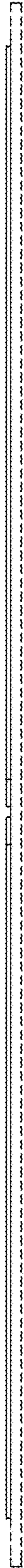


FIG. 4

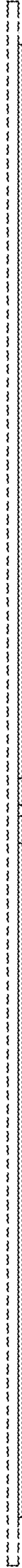


FIG. 5

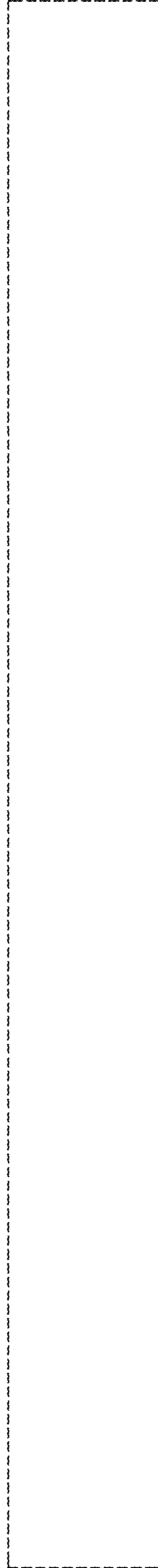


FIG. 6

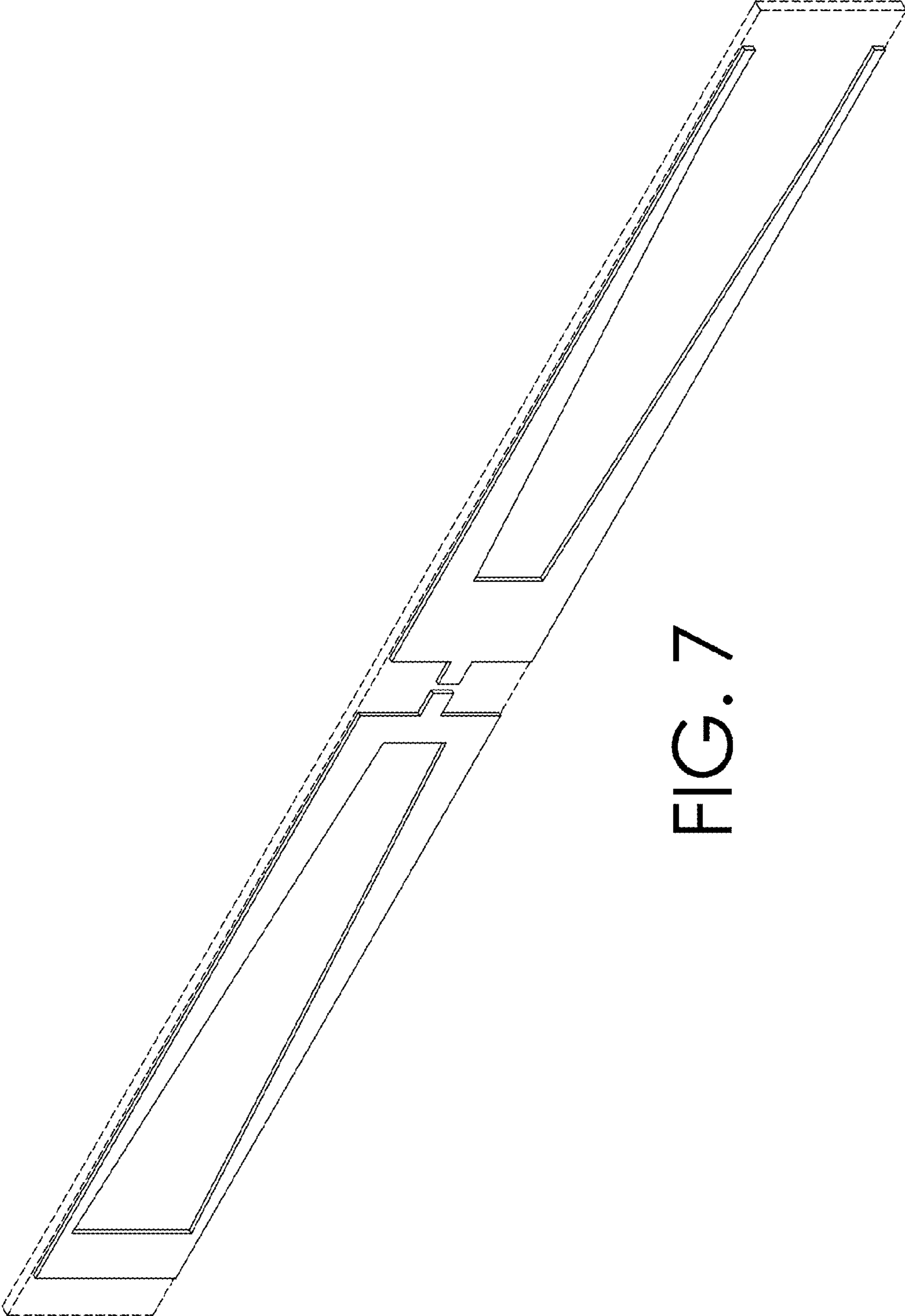


FIG. 7