



US00D814444S

(12) **United States Design Patent**
Liu

(10) **Patent No.:** **US D814,444 S**
(45) **Date of Patent:** **** *Apr. 3, 2018**

- (54) **WIRELESS HEADSET**
- (71) Applicant: **Huiyang District Yonghu Town Xingcheng Electronic Processing Plant, Huizhou, Guangdong (CN)**
- (72) Inventor: **Xiangli Liu, Guangdong (CN)**
- (73) Assignee: **Huiyang District Yonghu Town Xingcheng Electronic Processing Plant (CN)**
- (*) Notice: This patent is subject to a terminal disclaimer.
- (**) Term: **15 Years**
- (21) Appl. No.: **29/557,855**
- (22) Filed: **Mar. 13, 2016**
- (51) **LOC (11) Cl.** **14-01**
- (52) **U.S. Cl.**
USPC **D14/223**
- (58) **Field of Classification Search**
USPC D14/223, 205, 206; 181/129, 130, 135, 181/128; 379/430, 431; 381/380, 381, 381/183, 187, 370, 374, 385; 455/90.3, 455/575.1, 569.1
CPC H04R 25/00; H04R 1/10; H04R 1/1066; H04R 1/1016; H04R 1/1091
See application file for complete search history.

(56) **References Cited**

U.S. PATENT DOCUMENTS

- D272,904 S * 3/1984 Kawano D14/205
- 4,453,050 A * 6/1984 Enokido H04R 1/1066
381/330
- 4,917,504 A * 4/1990 Scott H04M 1/05
381/330
- 4,972,468 A * 11/1990 Murase H04B 1/385
379/430

- 4,977,975 A * 12/1990 Lazzeroni A42B 3/166
181/129
- 5,210,792 A * 5/1993 Kajihara H04M 1/05
379/430
- D348,067 S * 6/1994 Lucey D14/223
- D350,961 S * 9/1994 Nakamura D14/205
- 5,446,788 A * 8/1995 Lucey H04M 1/05
379/430
- D375,959 S * 11/1996 Davis D14/206
- D385,272 S * 10/1997 Jensen D14/142
- 5,881,161 A * 3/1999 Liu H04R 1/1066
381/370
- 5,960,094 A * 9/1999 Jensen H04M 1/05
381/374
- D421,755 S * 3/2000 Pitel D14/223
- D436,095 S * 1/2001 Schmidt D14/206
- 6,195,441 B1 * 2/2001 Ito H04R 5/0335
381/370
- D460,435 S * 7/2002 Carbone D14/188
- D460,749 S * 7/2002 Liu D14/206
- 6,427,018 B1 * 7/2002 Keliiliki H04R 1/1066
381/370

(Continued)

Primary Examiner — Paula Allen Greene

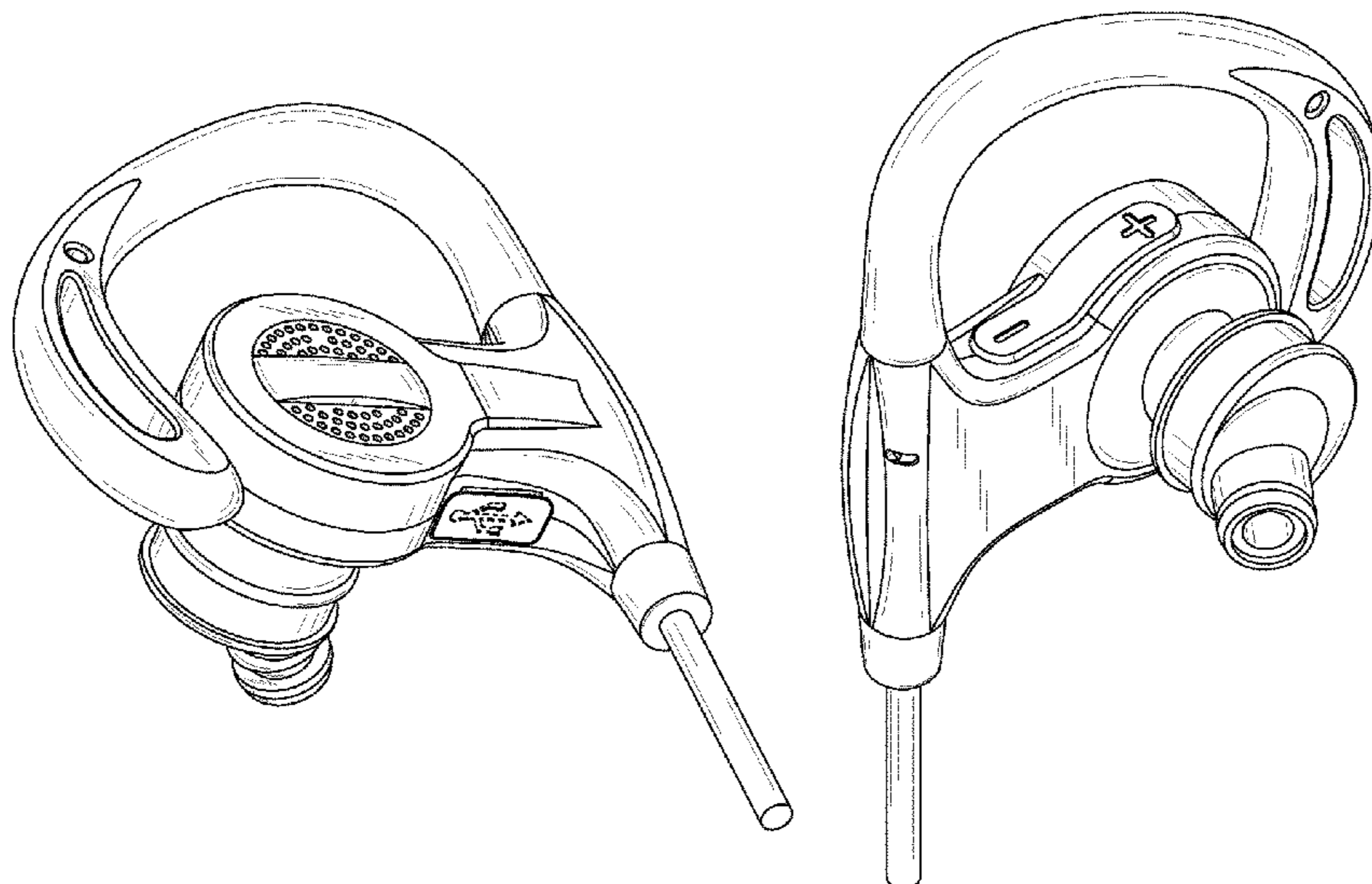
(57) **CLAIM**

The ornamental design for wireless headset, as shown and described.

DESCRIPTION

FIG. 1 is a left elevation view of the wireless headset showing my new design;
 FIG. 2 is a right elevation view thereof;
 FIG. 3 is a front elevation view thereof;
 FIG. 4 is a back elevation view thereof;
 FIG. 5 is a top view thereof;
 FIG. 6 is a bottom view thereof;
 FIG. 7 is a perspective view thereof; and,
 FIG. 8 is another perspective view thereof.
 The broken lines depict environment that forms no part of the claimed design.

1 Claim, 6 Drawing Sheets



(56)

References Cited

U.S. PATENT DOCUMENTS

6,449,374 B1 * 9/2002 Skulley H04R 1/083
 381/330
 D469,753 S * 2/2003 Andre D14/205
 D478,067 S * 8/2003 Kawakami D14/223
 D485,549 S * 1/2004 Ma D14/223
 6,728,388 B1 * 4/2004 Nageno H04R 1/105
 381/330
 D497,613 S * 10/2004 Gwee D14/205
 D508,479 S * 8/2005 Okada D14/206
 D575,772 S * 8/2008 Schultz D14/206
 D585,881 S * 2/2009 Nam D14/205
 D593,075 S * 5/2009 Williams D14/223
 D606,048 S * 12/2009 Soetejo D14/223
 7,648,005 B2 * 1/2010 Leong A61F 11/08
 128/867

D618,669 S * 6/2010 Johnson H04R 1/1016
 D14/223
 D624,529 S * 9/2010 Huang D14/206
 D634,305 S * 3/2011 Hoggarth D14/223
 D635,960 S * 4/2011 Gondo D14/223
 D643,418 S * 8/2011 Lee D14/223
 D645,454 S * 9/2011 Quek D14/223
 8,265,328 B2 * 9/2012 Milde H04R 1/1066
 381/370
 D685,768 S * 7/2013 Mogili D14/223
 D686,196 S * 7/2013 Lee D14/223
 D725,637 S * 3/2015 Nakajima D14/223
 D775,610 S * 1/2017 Nakajima D14/223
 D796,486 S * 9/2017 Liu D14/223
 2003/0002706 A1 * 1/2003 Keliiliki H04R 1/1066
 381/381
 2017/0105679 A1 * 4/2017 Gil A61B 5/6817

* cited by examiner

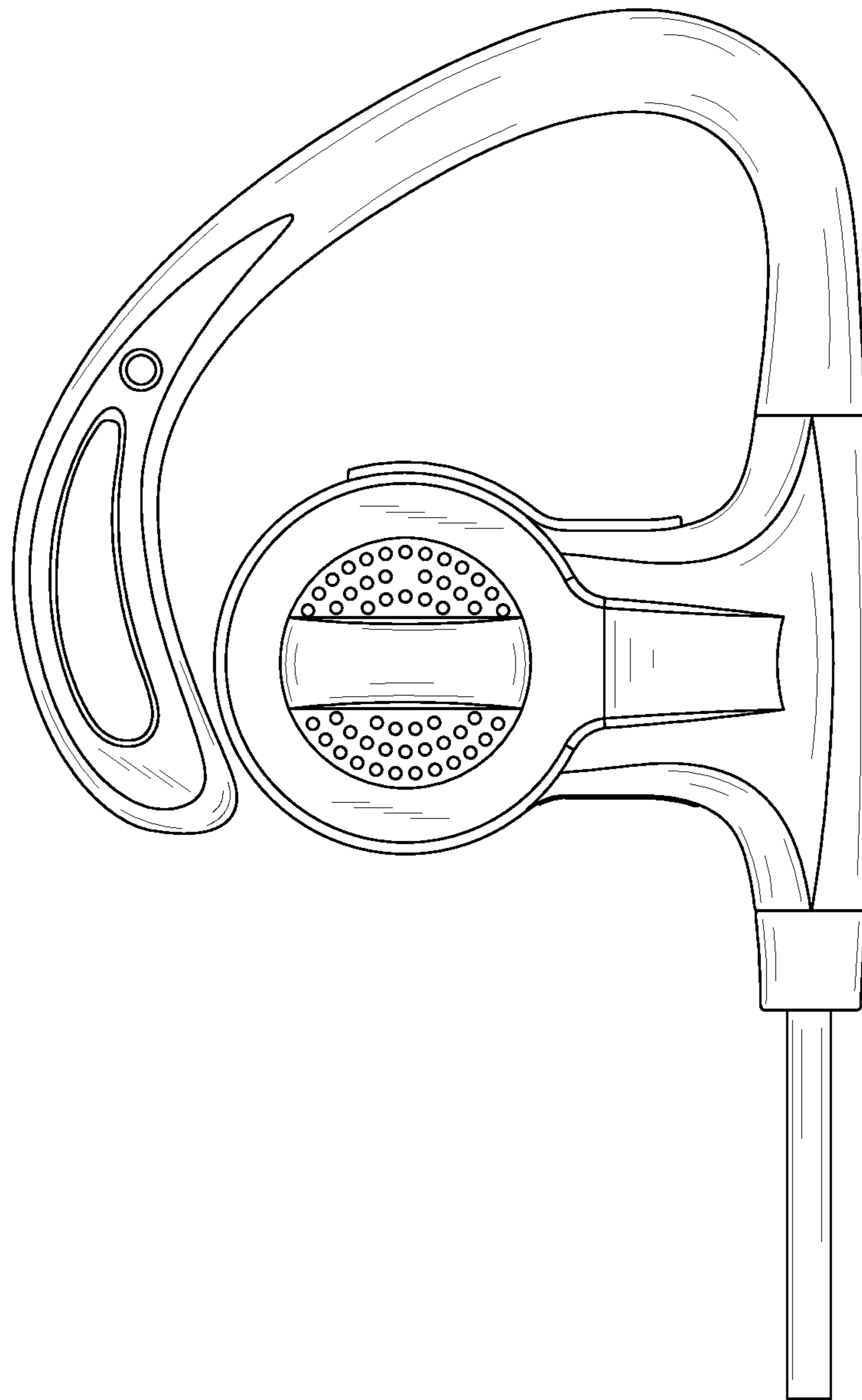


FIG.1

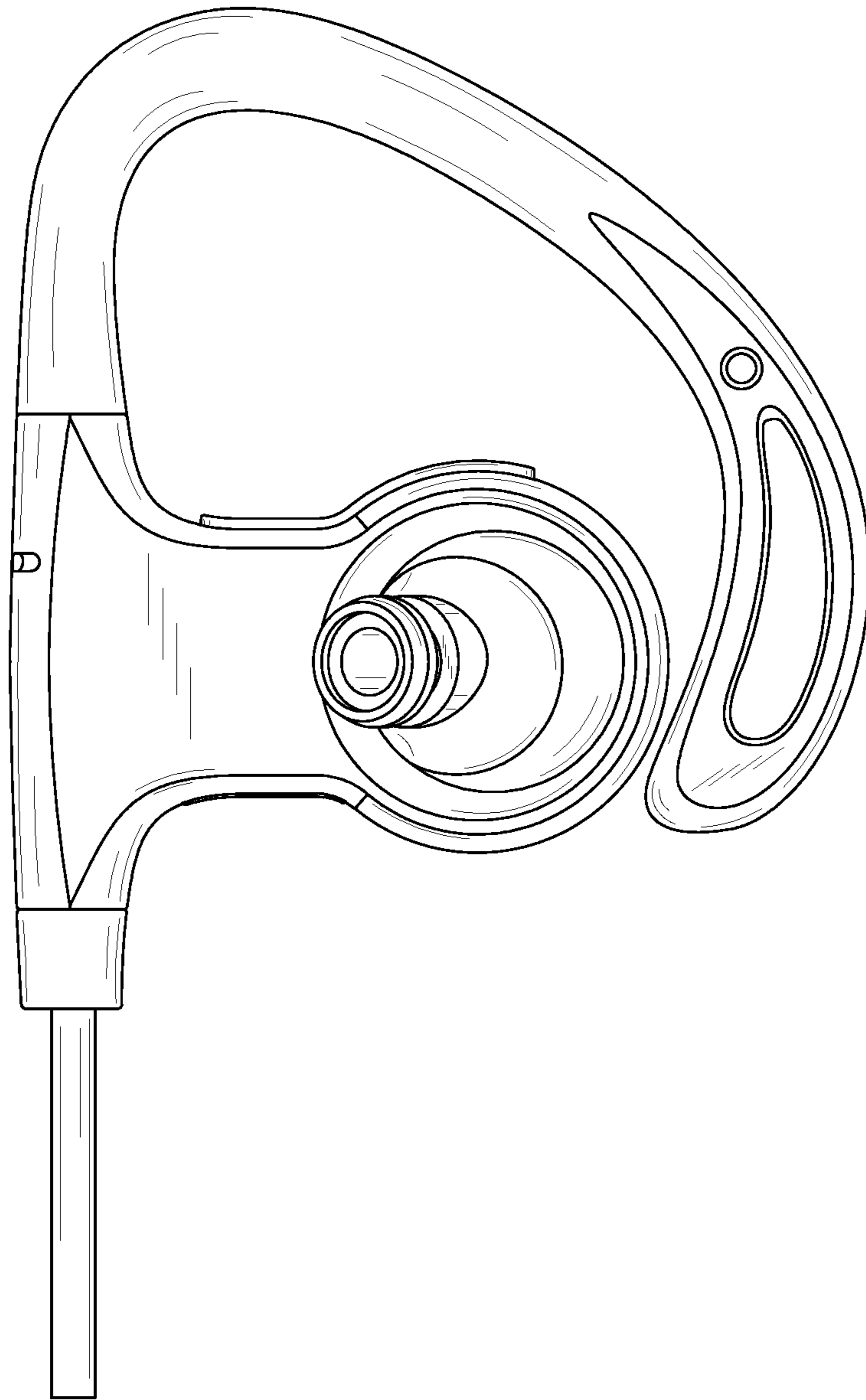


FIG.2

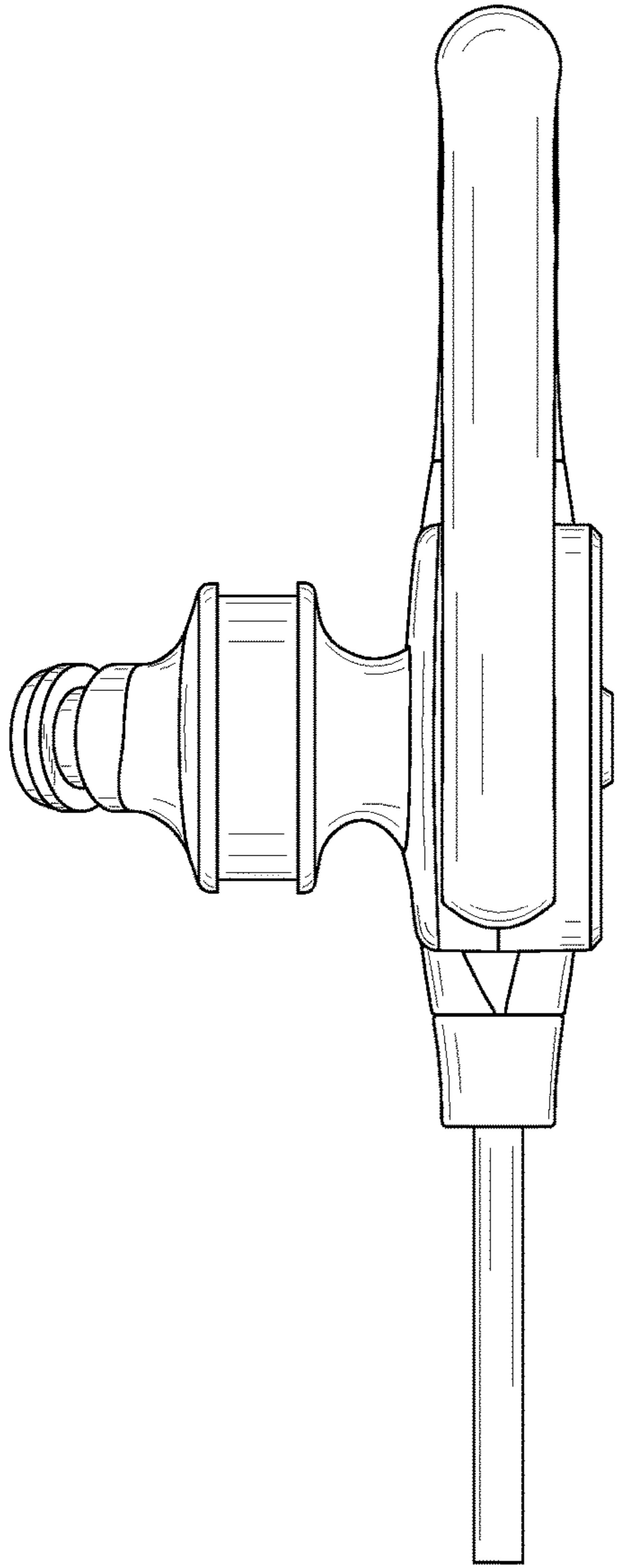


FIG.3

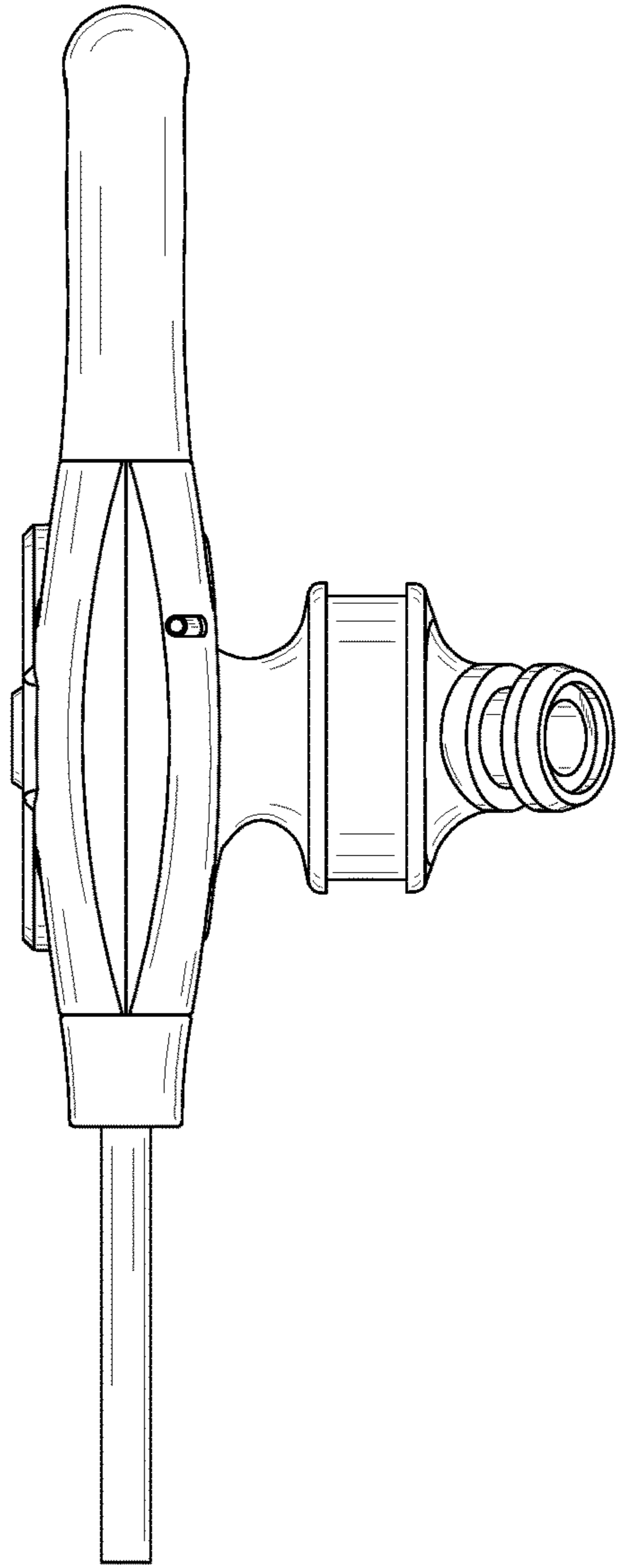


FIG.4

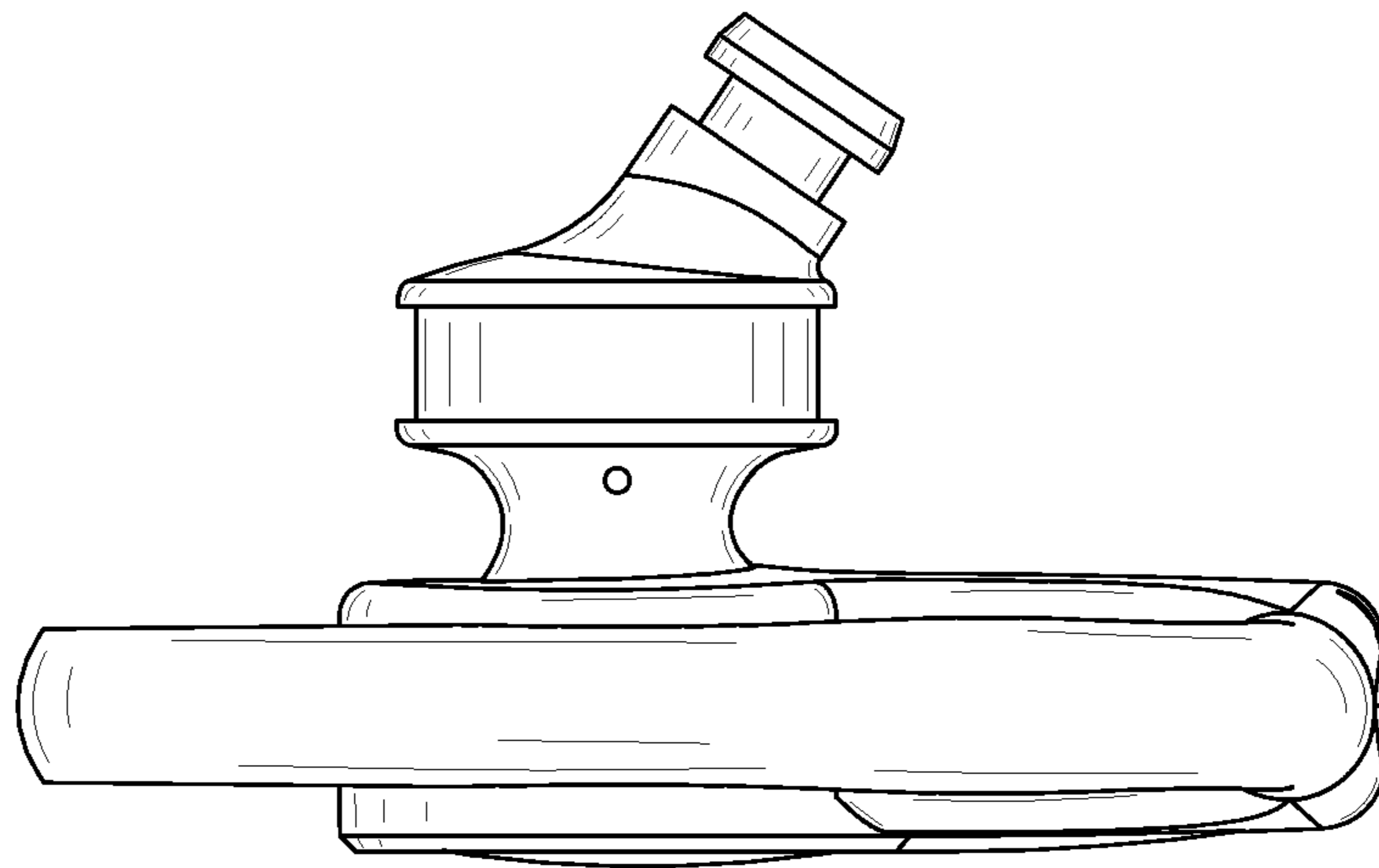


FIG.5

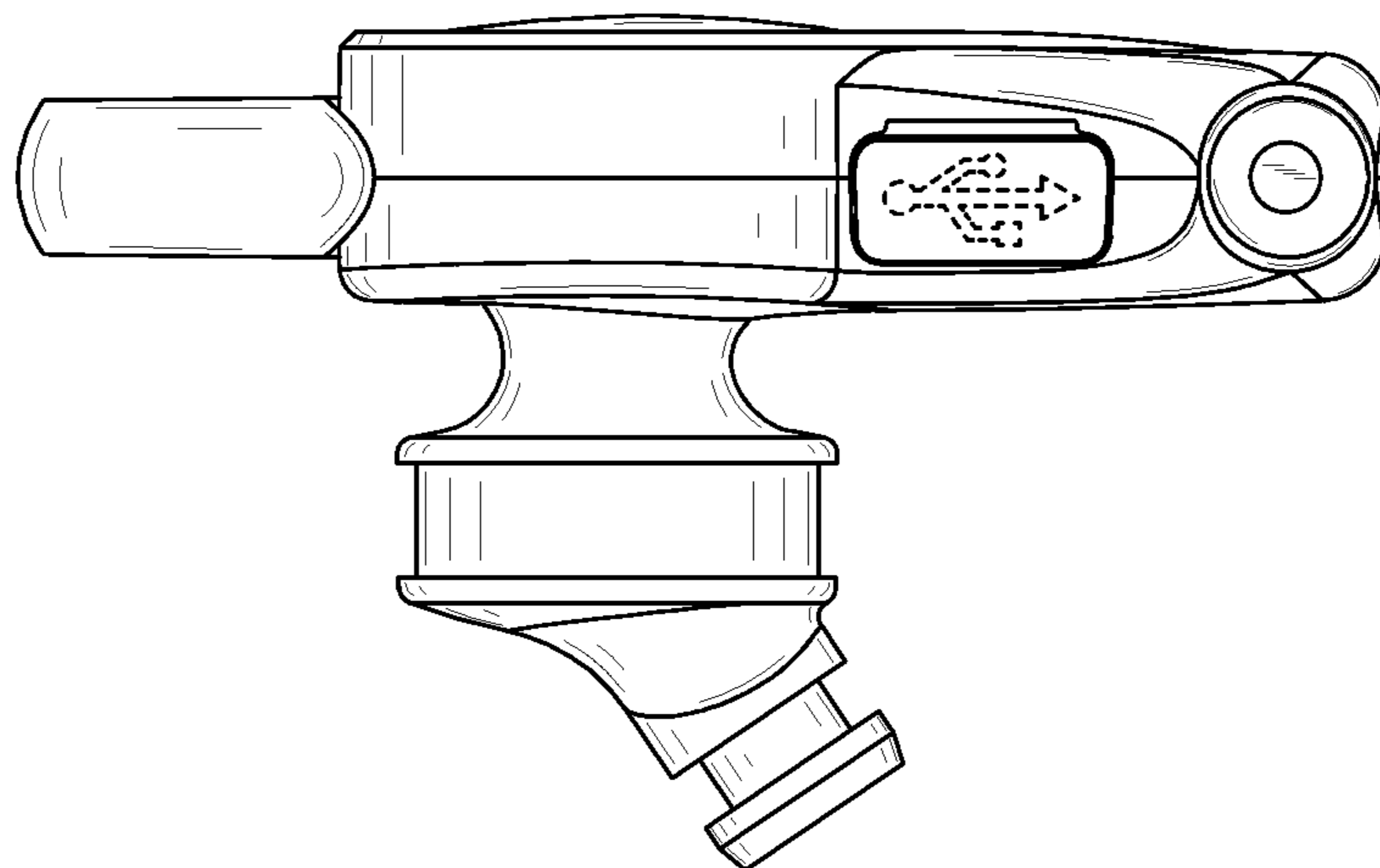


FIG.6

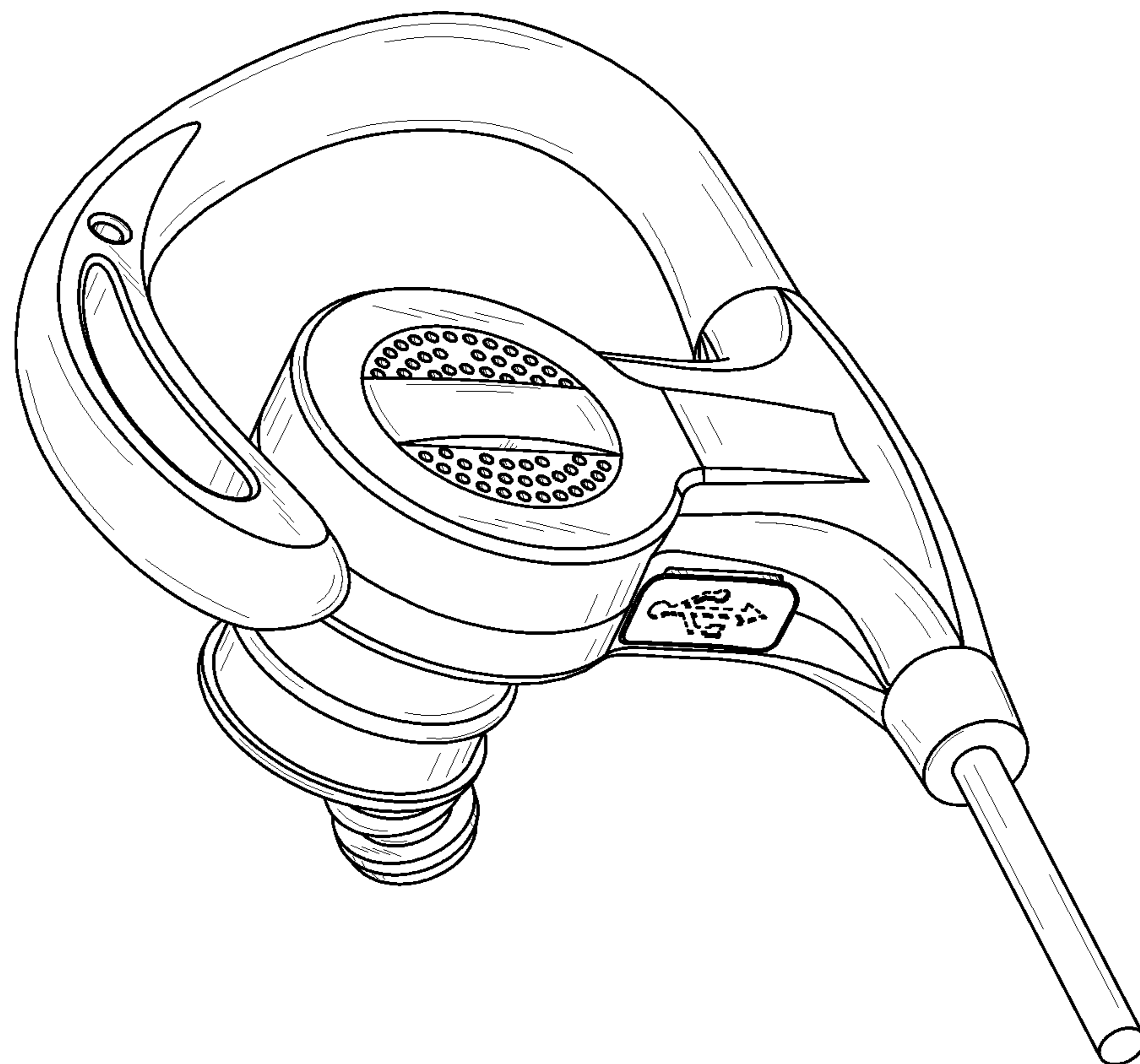


FIG.7

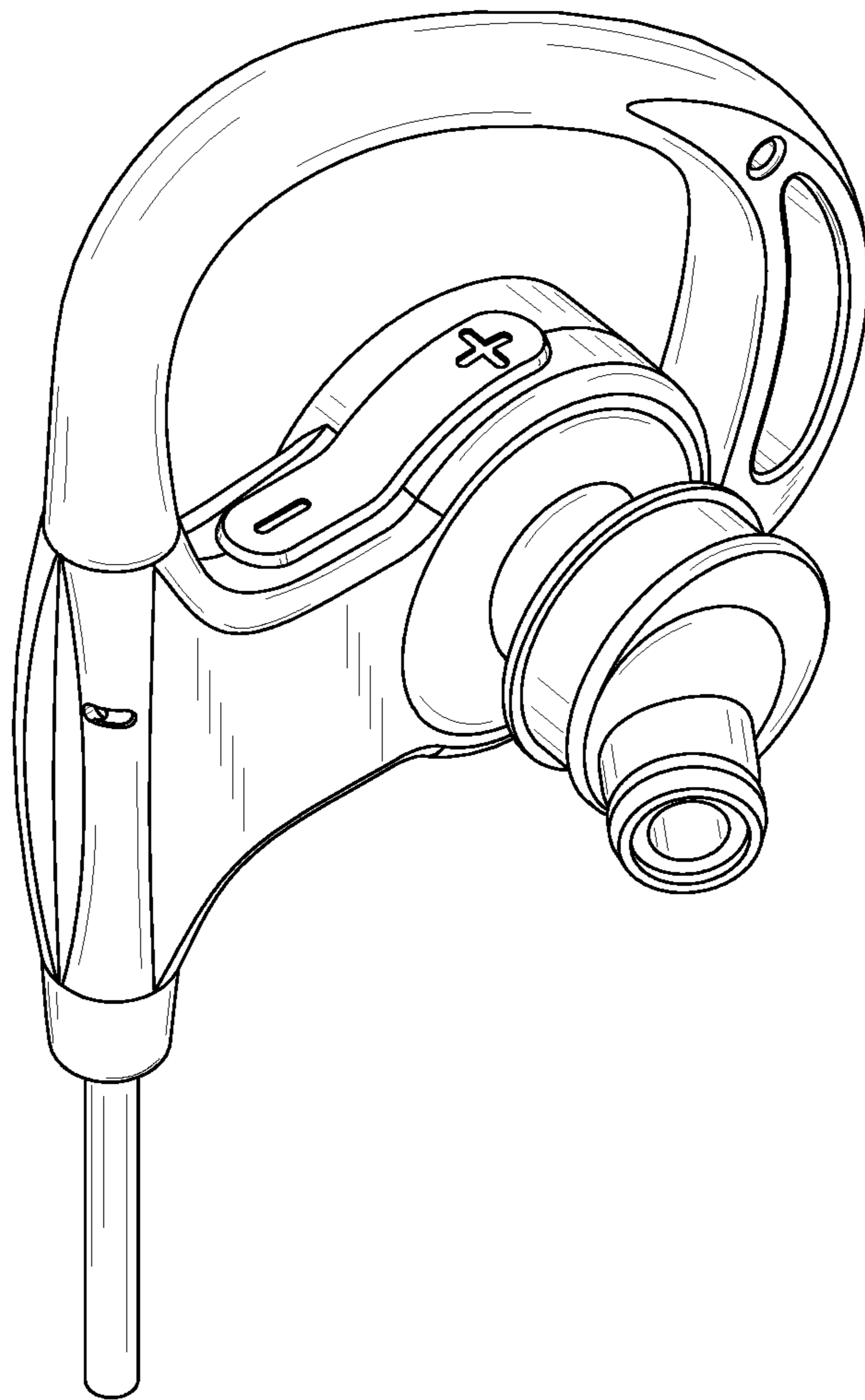


FIG.8