



US00D814441S

(12) **United States Design Patent**
Hanna

(10) **Patent No.:** **US D814,441 S**

(45) **Date of Patent:** **** Apr. 3, 2018**

(54) **LOUDSPEAKER HORN**

(71) Applicant: **Scott Hanna**, Cullman, AL (US)

(72) Inventor: **Scott Hanna**, Cullman, AL (US)

(**) Term: **15 Years**

(21) Appl. No.: **29/564,816**

(22) Filed: **May 16, 2016**

(51) **LOC (11) Cl.** **14-01**

(52) **U.S. Cl.**

USPC **D14/214**; D14/213

(58) **Field of Classification Search**

USPC D14/168, 188, 194, 195, 196, 204, 210,
D14/211, 212, 213, 214, 215, 216, 157,
D14/221, 222, 223, 224, 217, 257, 258

CPC ... B60R 11/0217; B60R 11/02; G06F 1/1688;
G10K 9/22; G10K 11/004; H03F 1/327;
H04M 1/03; H04M 1/035; H04N 5/642;
H04N 21/4852; H04S 3/00; H04S 7/30;
H04R 1/02; H04R 1/06; H04R 1/021;
H04R 1/025; H04R 1/026; H04R 1/028;
H04R 1/105; H04R 1/323; H04R 1/403;
H04R 1/2803; H04R 1/2834; H04R 5/02;
H04R 7/20; H04R 9/06; H04R 9/025;
H04R 2201/021; H04R 2400/00; H04R
2400/07; H04R 2499/11; H04R 2499/13;
H04R 2499/15

See application file for complete search history.

(56) **References Cited**

U.S. PATENT DOCUMENTS

D169,904 S * 6/1953 Hoodwin D14/204
D171,206 S * 12/1953 Hoodwin D14/216
4,171,734 A * 10/1979 Peveto G10K 11/025
181/192
D253,700 S * 12/1979 Gillum D14/214
4,187,926 A * 2/1980 Henricksen G10K 11/025
181/187

D264,841 S * 6/1982 Pickrel D14/204
4,685,532 A * 8/1987 Gunness G10K 11/025
181/185
5,020,630 A * 6/1991 Gunness G10K 11/025
181/187
D378,921 S * 4/1997 Bohannan D10/120
D379,815 S * 6/1997 Bohannan D10/120
5,925,856 A * 7/1999 Meyer H04R 1/30
181/152
6,668,969 B2 * 12/2003 Meyer G10K 11/025
181/159
D599,325 S * 9/2009 Arneson D14/204
7,735,599 B2 * 6/2010 Kubota G10K 11/025
181/185

(Continued)

Primary Examiner — Keli L Hill

Assistant Examiner — Karra S Johnson

(74) *Attorney, Agent, or Firm* — C. Brandon Browning;
Maynard, Cooper & Gale, PC

(57) **CLAIM**

The ornamental design for a loudspeaker horn, as shown and described herein.

DESCRIPTION

FIG. 1 is a front perspective view of a loudspeaker horn in accordance with the present invention;

FIG. 2 is a front elevational view of the loudspeaker horn of FIG. 1;

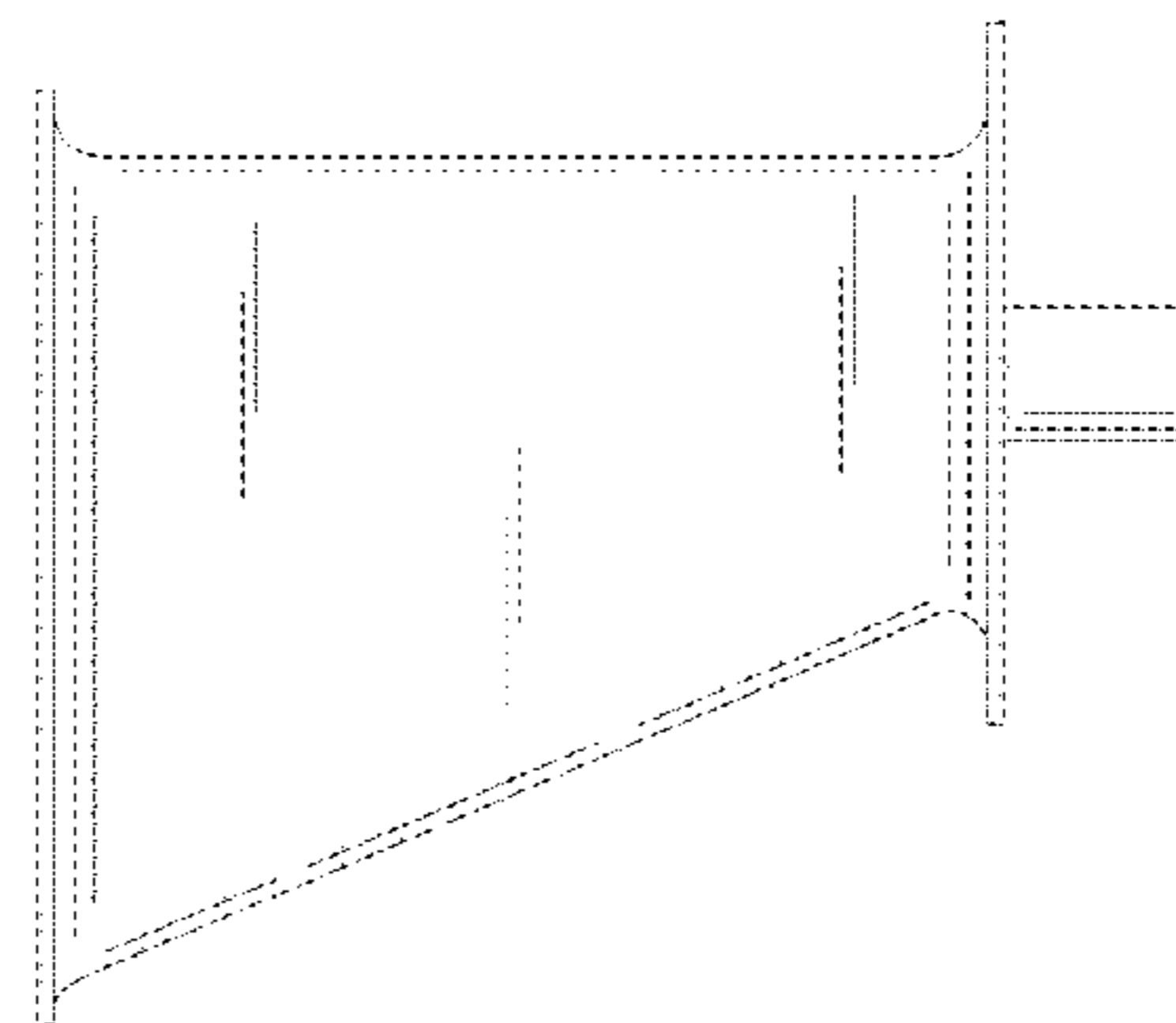
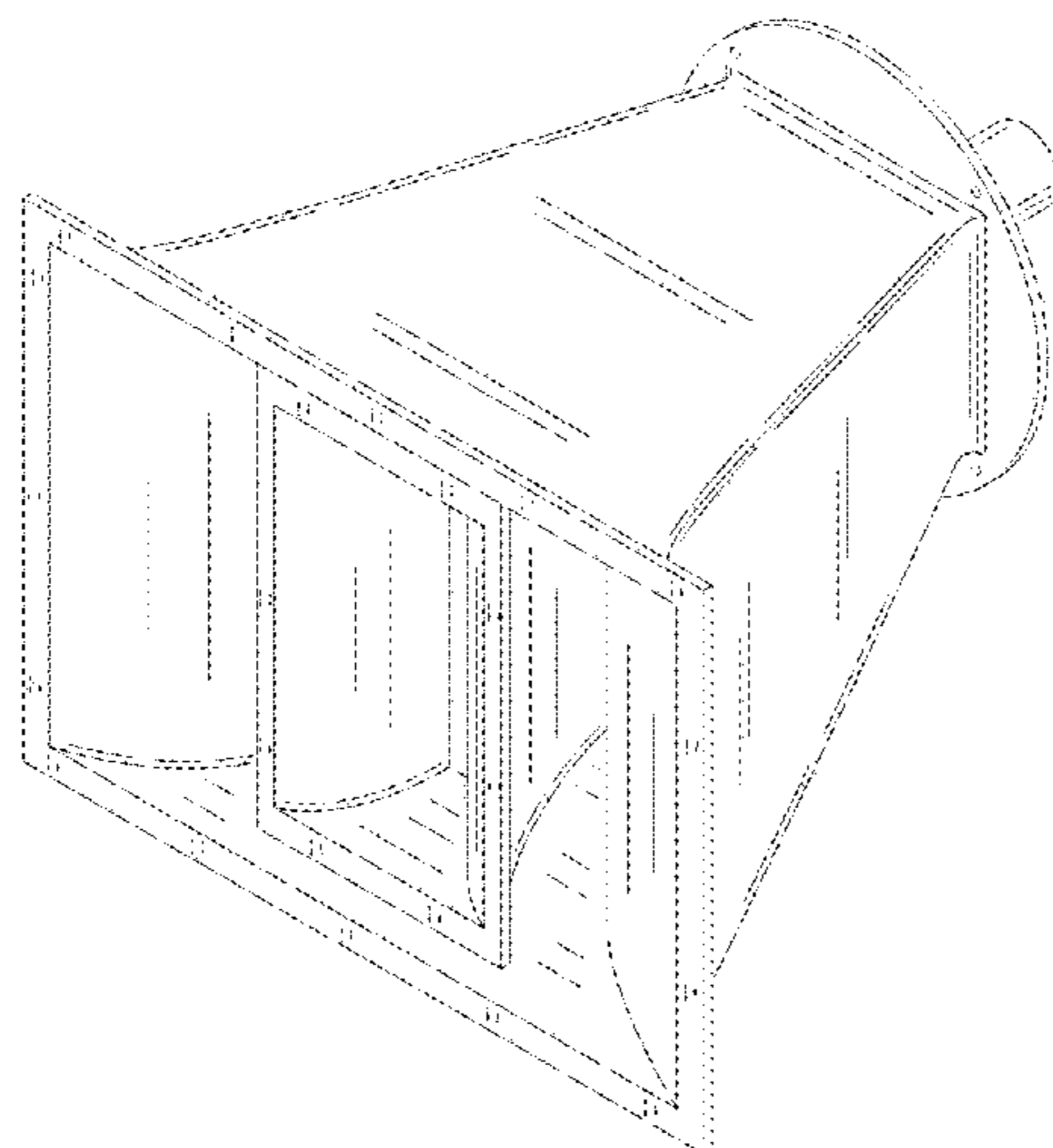
FIG. 3 is a rear elevational view of the loudspeaker horn of FIG. 1;

FIG. 4 is a top plan view of the loudspeaker horn of FIG. 1, which is a mirror image of the bottom of the loudspeaker horn; and,

FIG. 5 is an elevational view of a first lateral side of the loudspeaker horn of FIG. 1, which is a mirror image of the opposing lateral side of the loudspeaker horn.

The broken lines shown are included for the purpose of illustrating portions of the loudspeaker horn that form no part of the claim.

1 Claim, 4 Drawing Sheets



(56)

References Cited

U.S. PATENT DOCUMENTS

D621,382 S *	8/2010	Bartlett	D14/208
7,802,650 B2 *	9/2010	Bartlett	G10K 11/025 181/179
D760,192 S *	6/2016	Espinosa	D14/214
D783,570 S *	4/2017	Sprinkle	D14/204
2010/0032233 A1 *	2/2010	Moore	H04R 1/345 181/152
2013/0243232 A1 *	9/2013	Dimitrov	H04R 1/323 381/340
2015/0195643 A1 *	7/2015	Smithers	H04R 1/30 381/340

* cited by examiner

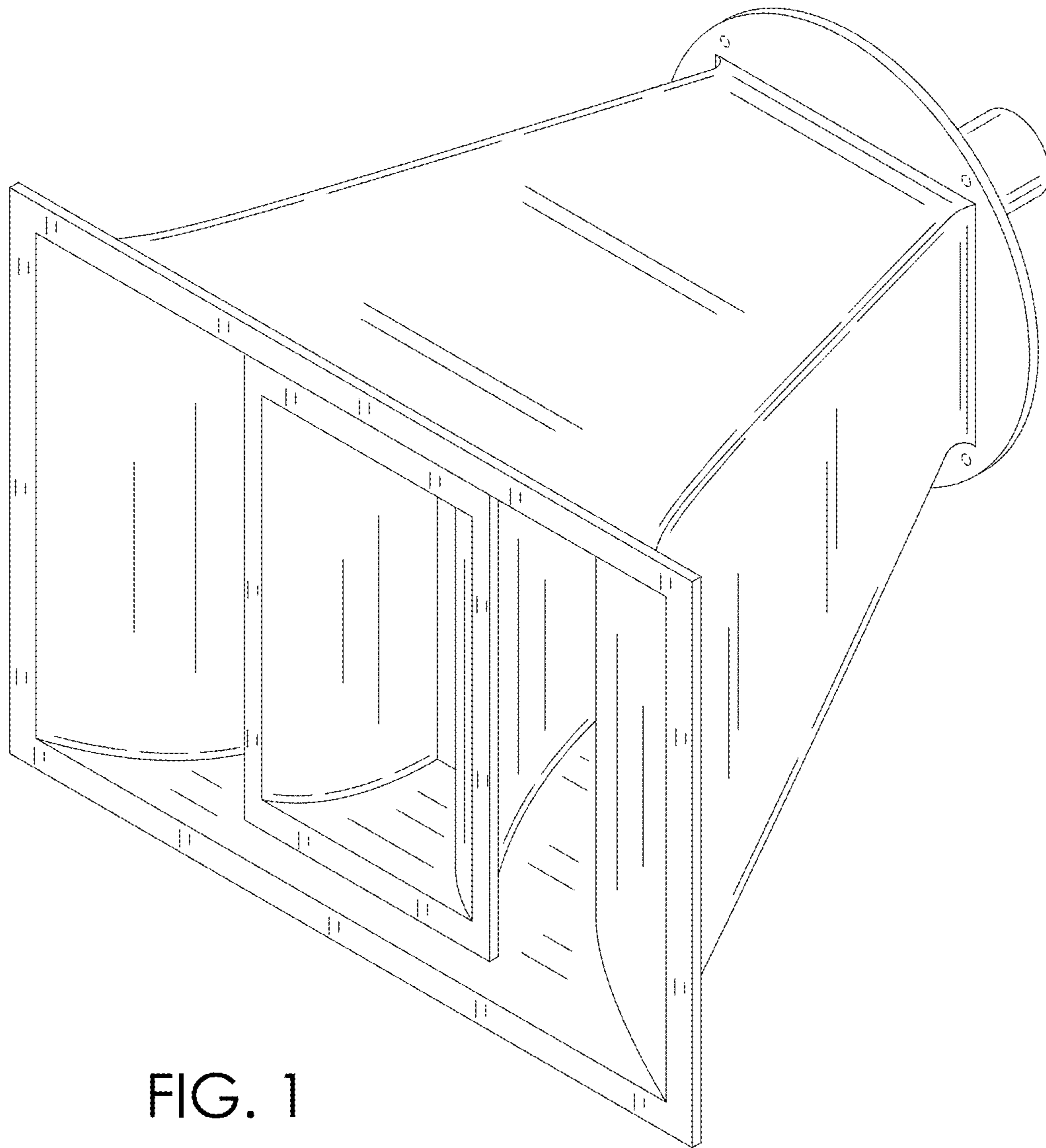


FIG. 1

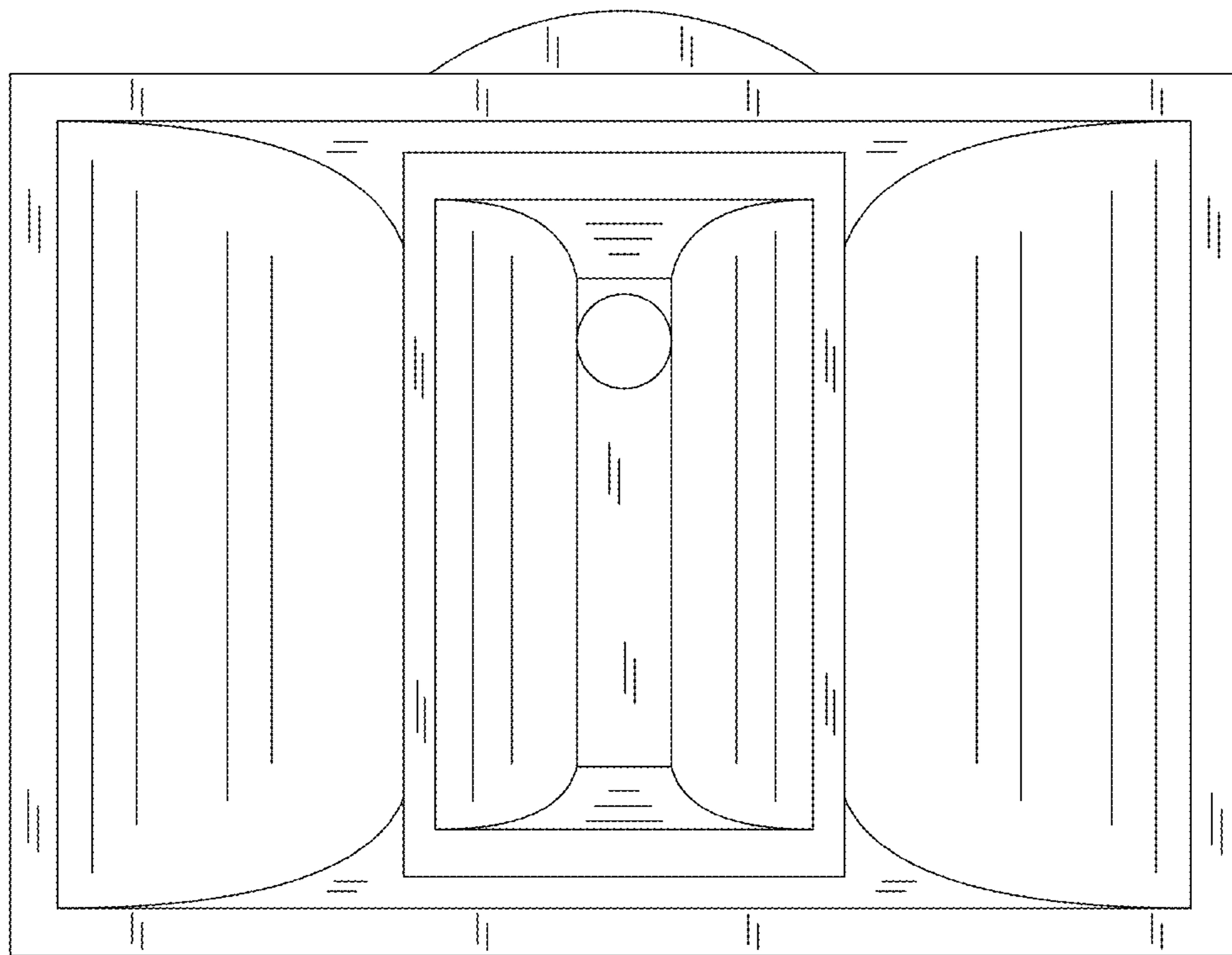


FIG. 2

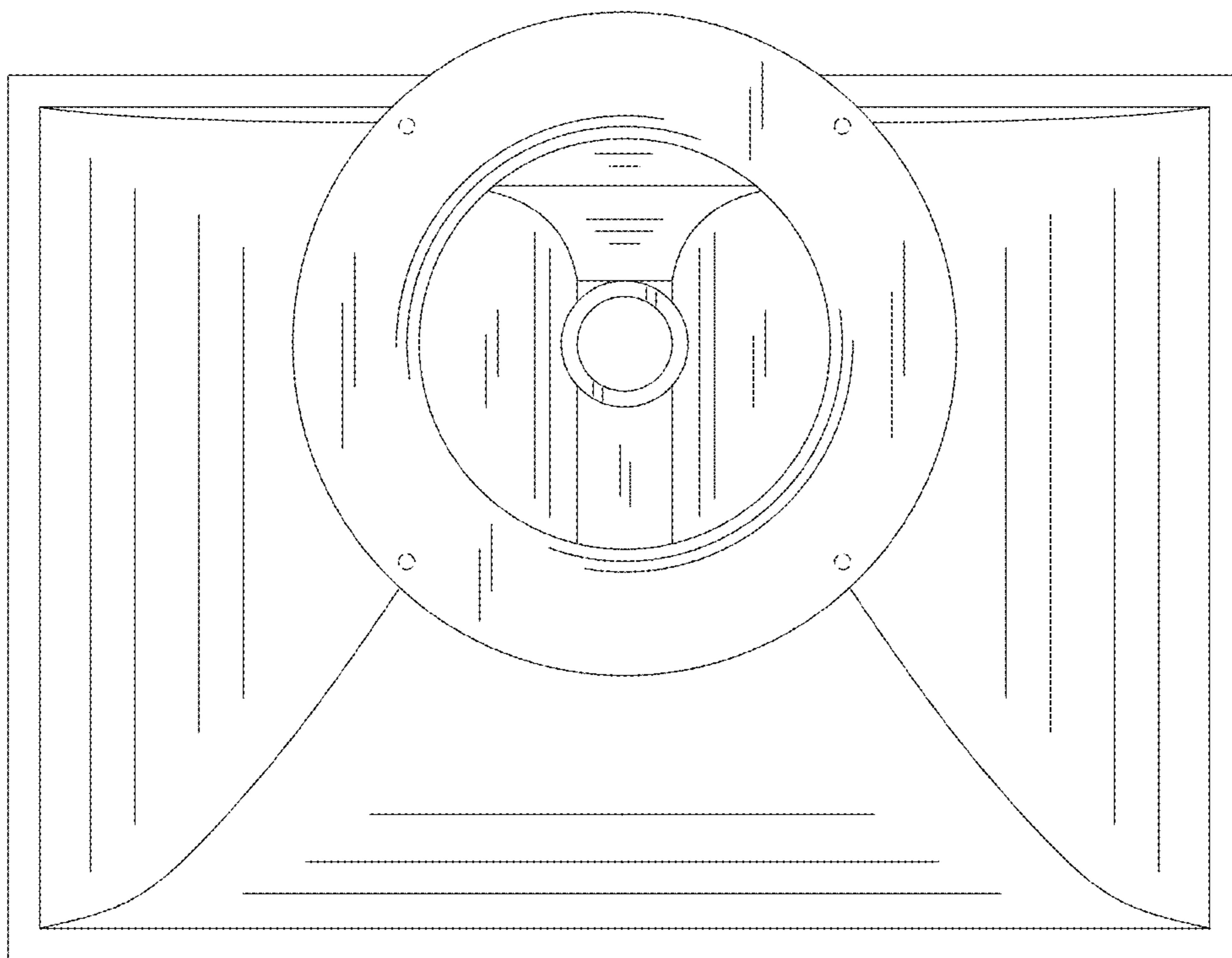


FIG. 3

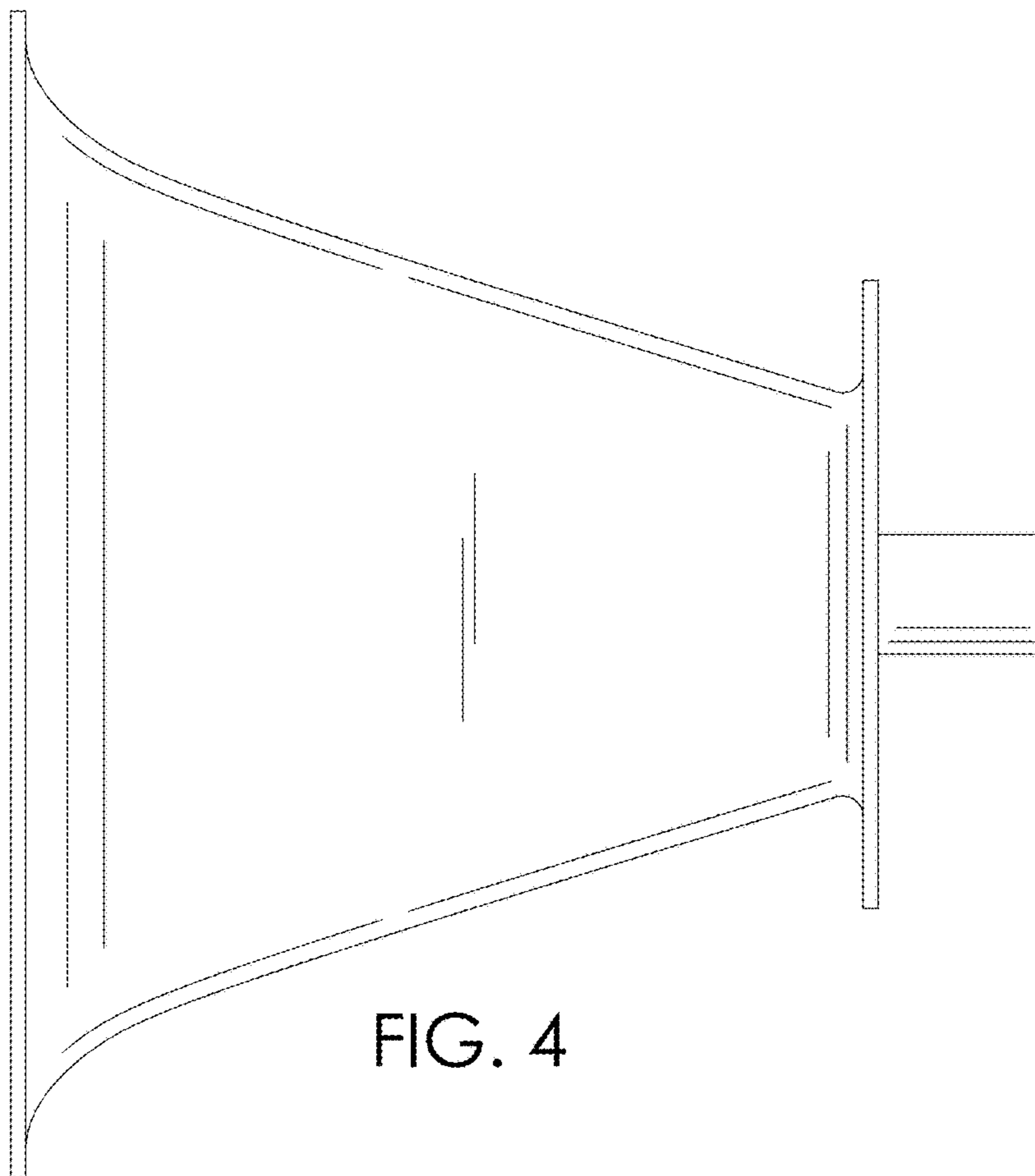


FIG. 4

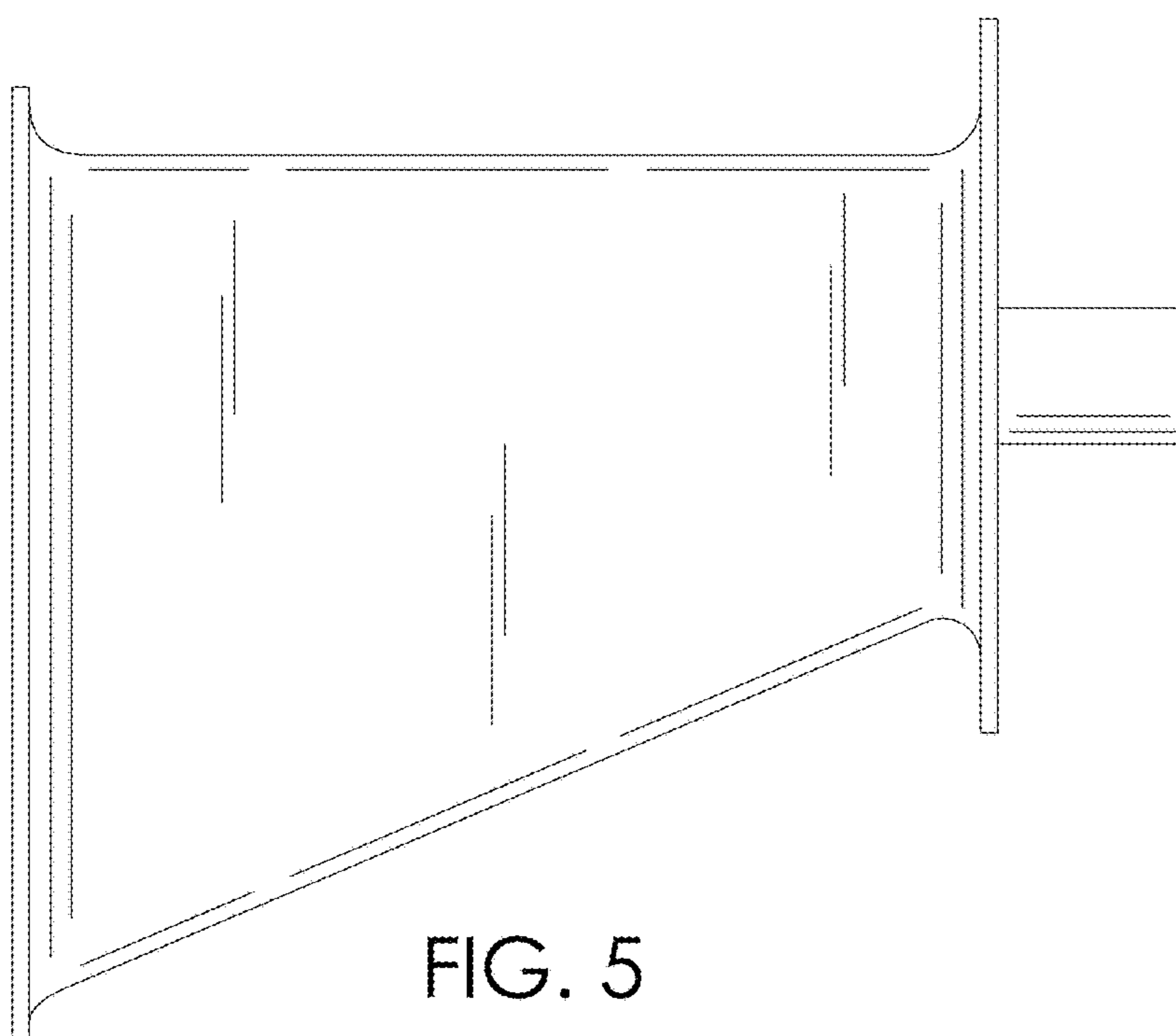


FIG. 5