



US00D814440S

(12) **United States Design Patent**
Hardi

(10) **Patent No.:** **US D814,440 S**
(45) **Date of Patent:** **** Apr. 3, 2018**

(54) **WIRELESS AUDIO HEADPHONES WITH
MAGNETIC EAR CUSHIONS**

(71) Applicant: **Muzik LLC**, Miami Beach, FL (US)

(72) Inventor: **Jason Hardi**, Miami Beach, FL (US)

(73) Assignee: **Muzik, Inc.**, Raleigh, NC (US)

(**) Term: **15 Years**

(21) Appl. No.: **29/591,405**

(22) Filed: **Jan. 19, 2017**

(51) **LOC (11) Cl.** **14-01**

(52) **U.S. Cl.**
USPC **D14/205**

(58) **Field of Classification Search**
USPC D14/205, 188, 192; D29/112; 2/209,
2/411; 181/129, 130, 135; 379/430, 431;
(Continued)

(56) **References Cited**

U.S. PATENT DOCUMENTS

2,420,245 A * 5/1947 Hurst A61F 11/06
2/209
2,615,169 A * 10/1952 Maxant A61F 11/06
2/209

(Continued)

Primary Examiner — Paula Allen Greene

(74) *Attorney, Agent, or Firm* — Ward and Smith, P.A.

(57) **CLAIM**

The ornamental design for wireless audio headphones with magnetic ear cushions according to my invention, as shown and described herein.

DESCRIPTION

FIG. 1 is a perspective view the ornamental design for a first embodiment of wireless audio headphones with magnetic ear cushions according to my invention;

FIG. 2 is a front view of the ornamental design for the first embodiment of wireless audio headphones with magnetic ear cushions according to my invention;

FIG. 3 is a rear view of the ornamental design for the first embodiment of wireless audio headphones with magnetic ear cushions according to my invention;

FIG. 4 is a side view of the ornamental design for the first embodiment of wireless audio headphones with magnetic ear cushions according to my invention;

FIG. 5 is an opposing side view of the ornamental design for the first embodiment of wireless audio headphones with magnetic ear cushions according to my invention;

FIG. 6 is a bottom view of the ornamental design for the first embodiment of wireless audio headphones with magnetic ear cushions according to my invention;

FIG. 7 is a top view of the ornamental design for the first embodiment of wireless audio headphones with magnetic ear cushions according to my invention;

FIG. 8 is a perspective view of the ornamental design for the first embodiment of wireless audio headphones with magnetic ear cushions according to my invention, wherein the magnetic ear cushions are shown detached from the headband portion;

FIG. 9 is a front view of the ornamental design for the first embodiment of wireless audio headphones with magnetic ear cushions according to my invention, wherein the magnetic ear cushions are shown detached from the headband portion;

FIG. 10 is a rear view of the ornamental design for the first embodiment of wireless audio headphones with magnetic ear cushions according to my invention, wherein the magnetic ear cushions are shown detached from the headband portion;

FIG. 11 is a side view of the ornamental design for the first embodiment of wireless audio headphones with magnetic ear cushions according to my invention, wherein the magnetic ear cushions are shown detached from the headband portion, wherein the magnetic ear cushions are shown detached from the headband portion;

FIG. 12 is an opposing side view of the ornamental design for the first embodiment of wireless audio headphones with

(Continued)



magnetic ear cushions according to my invention, wherein the magnetic ear cushions are shown detached from the headband portion;

FIG. 13 is a bottom view of the ornamental design for the first embodiment of wireless audio headphones with magnetic ear cushions according to my invention, wherein the magnetic ear cushions are shown detached from the headband portion;

FIG. 14 is a top view of the ornamental design for the first embodiment of wireless audio headphones with magnetic ear cushions according to my invention, wherein the magnetic ear cushions are shown detached from the headband portion;

FIG. 15 is a perspective view the ornamental design for a second embodiment of wireless audio headphones with magnetic ear cushions according to my invention;

FIG. 16 is a front view of the ornamental design for the second embodiment of wireless audio headphones with magnetic ear cushions according to my invention;

FIG. 17 is a rear view of the ornamental design for the second embodiment of wireless audio headphones with magnetic ear cushions according to my invention;

FIG. 18 is a side view of the ornamental design for the second embodiment of wireless audio headphones with magnetic ear cushions according to my invention;

FIG. 19 is an opposing side view of the ornamental design for the second embodiment of wireless audio headphones with magnetic ear cushions according to my invention;

FIG. 20 is a bottom view of the ornamental design for the second embodiment of wireless audio headphones with magnetic ear cushions according to my invention;

FIG. 21 is a top view of the ornamental design for the second embodiment of wireless audio headphones with magnetic ear cushions according to my invention;

FIG. 22 is a perspective view of the ornamental design for the second embodiment of wireless audio headphones with magnetic ear cushions according to my invention, wherein the magnetic ear cushions are shown detached from the headband portion;

FIG. 23 is a front view of the ornamental design for the second embodiment of wireless audio headphones with magnetic ear cushions according to my invention, wherein the magnetic ear cushions are shown detached from the headband portion;

FIG. 24 is a rear view of the ornamental design for the second embodiment of wireless audio headphones with magnetic ear cushions according to my invention, wherein the magnetic ear cushions are shown detached from the headband portion;

FIG. 25 is a side view of the ornamental design for the second embodiment of wireless audio headphones with magnetic ear cushions according to my invention, wherein the magnetic ear cushions are shown detached from the headband portion, wherein the magnetic ear cushions are shown detached from the headband portion;

FIG. 26 is an opposing side view of the ornamental design for the second embodiment of wireless audio headphones with magnetic ear cushions according to my invention, wherein the magnetic ear cushions are shown detached from the headband portion;

FIG. 27 is a bottom view of the ornamental design for the second embodiment of wireless audio headphones with magnetic ear cushions according to my invention, wherein the magnetic ear cushions are shown detached from the headband portion; and,

FIG. 28 is a top view of the ornamental design for the second embodiment of wireless audio headphones with magnetic ear cushions according to my invention, wherein the magnetic ear cushions are shown detached from the headband portion.

The broken lines are illustrative of environmental structure only and form no part of the claimed design.

1 Claim, 28 Drawing Sheets

(58) **Field of Classification Search**

USPC 381/380, 381, 374, 375, 376, 309, 74;
455/90.3, 575.1, 569.1
See application file for complete search history.

(56) **References Cited**

U.S. PATENT DOCUMENTS

3,119,119	A *	1/1964	Millinger	A61F 11/06 2/209
4,571,746	A *	2/1986	Gorike	H04R 5/0335 2/209
4,634,816	A *	1/1987	O'Malley	H04M 1/05 379/430
D297,324	S *	8/1988	Kohno	D14/205
D316,861	S *	5/1991	Yoda	D14/205
5,018,599	A *	5/1991	Dohi	H04R 1/1008 181/129
D318,669	S *	7/1991	Nakayama	D14/205
5,459,290	A *	10/1995	Yamagishi	H04R 1/1075 181/129
D373,360	S *	9/1996	Kanno	D14/205
D375,312	S *	11/1996	Kanno	D14/205
D377,021	S *	12/1996	Isono	D14/205
D399,206	S *	10/1998	Yasutomi	D14/205
D404,035	S *	1/1999	Delazzer	D14/205
6,195,441	B1 *	2/2001	Ito	H04R 5/0335 381/370
D444,140	S *	6/2001	Ishibashi	D14/192
6,385,325	B1 *	5/2002	Nageno	H04R 1/1066 381/370
D463,396	S *	9/2002	Beraut	D14/205
D473,539	S *	4/2003	O'Leary	D14/205
D502,938	S *	3/2005	Tokioka	D14/205
D512,983	S *	12/2005	Tachikawa	D14/205
D539,788	S *	4/2007	Thompson	D14/225
D540,303	S *	4/2007	Rausch	D14/205
D588,098	S *	3/2009	Kurihara	D14/205
D592,640	S *	5/2009	Tkachuk	D14/205
7,580,539	B2 *	8/2009	Tachikawa	H04R 1/1066 381/374
D637,177	S *	5/2011	Meeking	D14/205
D648,318	S *	11/2011	Huang	D14/206
D683,327	S *	5/2013	Dougherty	D14/205
D691,109	S *	10/2013	Hardi	D14/205
D694,217	S *	11/2013	Hwang	D14/205
D696,644	S *	12/2013	Sejpka	D14/205
D703,635	S *	4/2014	Yang	H04S 1/005 D14/205
D706,242	S *	6/2014	Yang	H04R 1/1066 D14/205
D707,653	S *	6/2014	Hardi	H04R 1/10 D14/205
D712,375	S *	9/2014	Miyake	D14/205
D715,255	S *	10/2014	Nunez	D14/205
D727,286	S *	4/2015	Galler	D14/205
D727,289	S *	4/2015	Czaniecki	D14/205
D773,434	S *	12/2016	Wu	D14/205
D793,356	S *	8/2017	Hardi	D14/205
2017/0052378	A1 *	2/2017	Yang	G02B 27/0176

* cited by examiner



Fig. 1

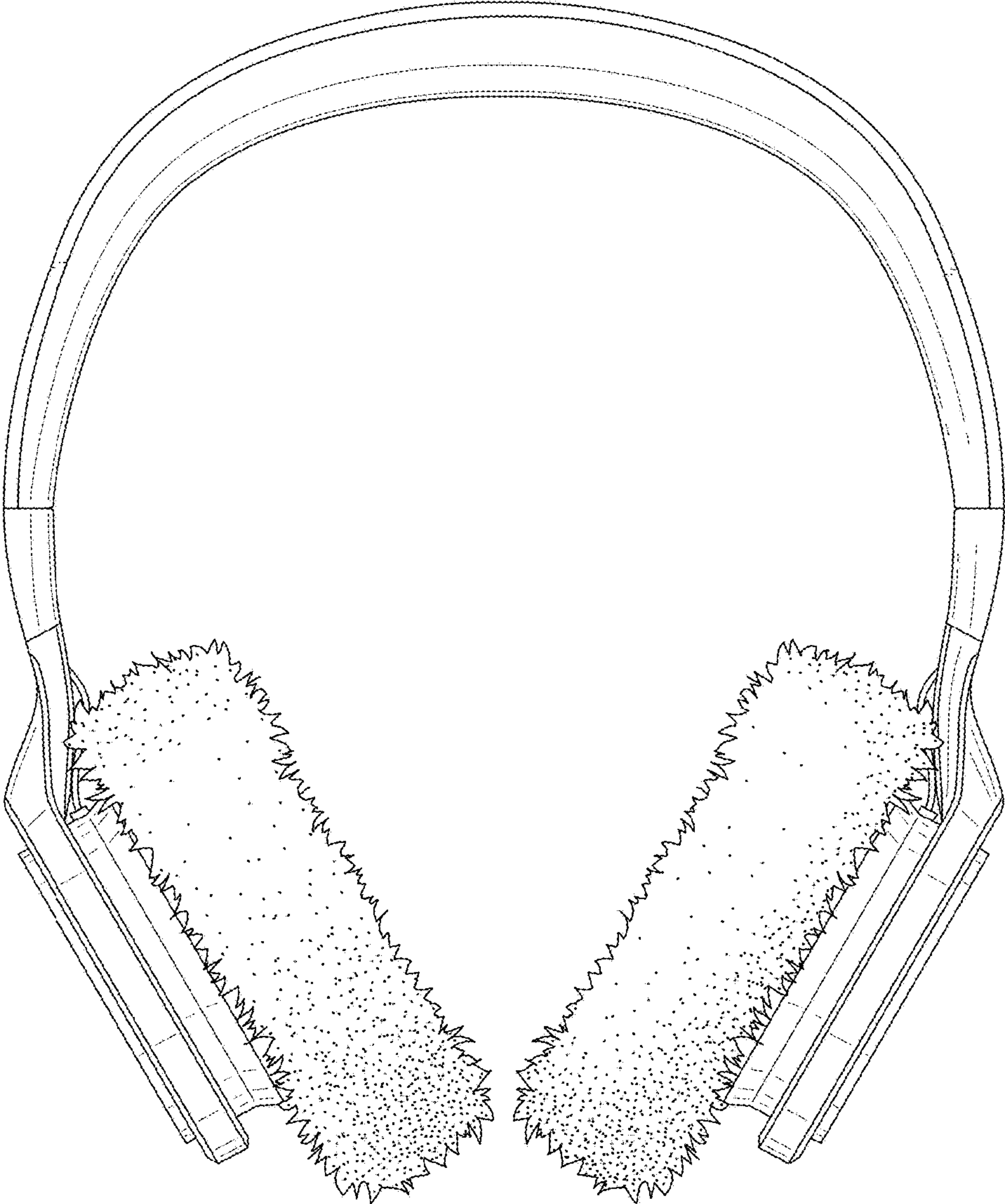


Fig. 2

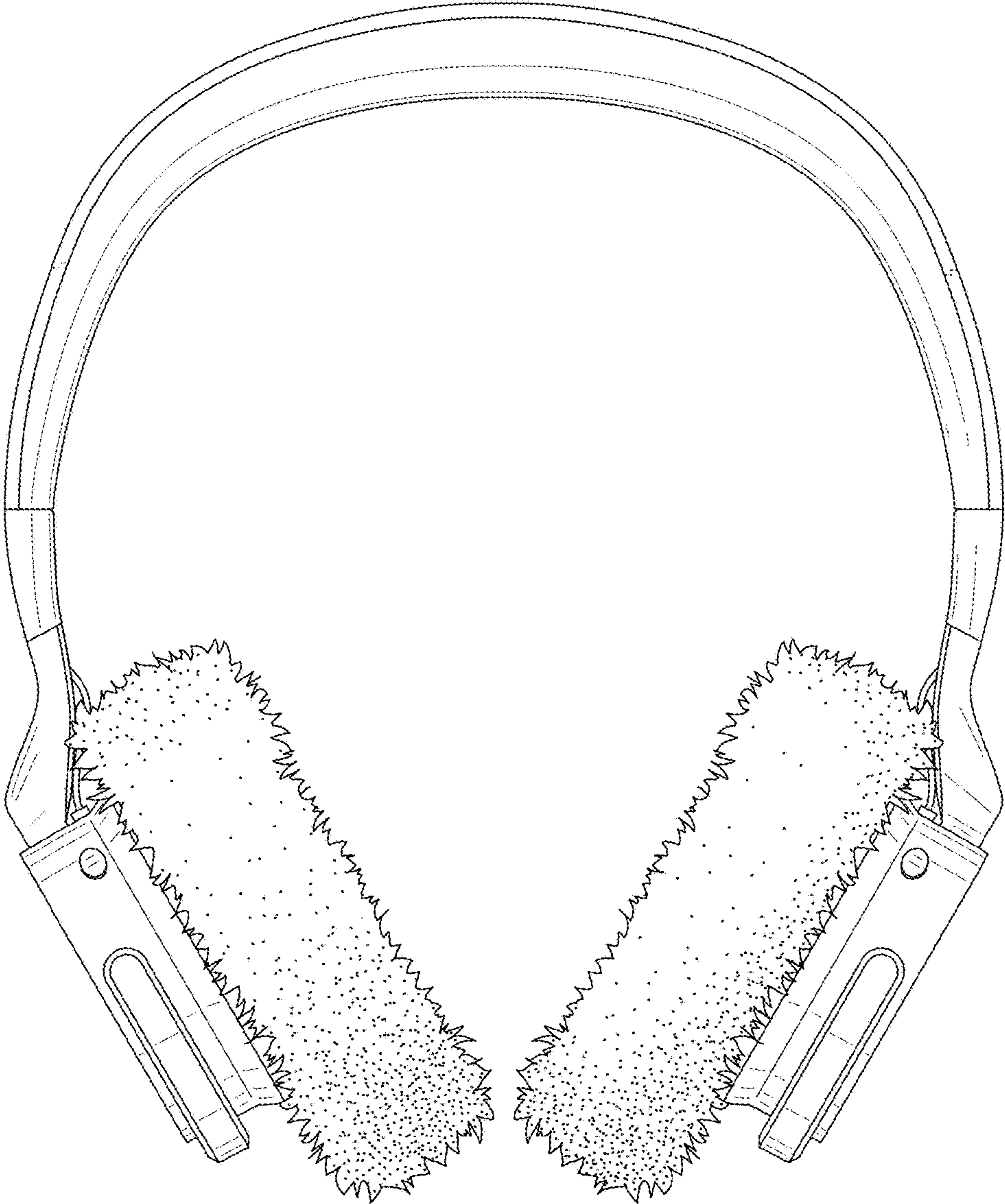


Fig. 3

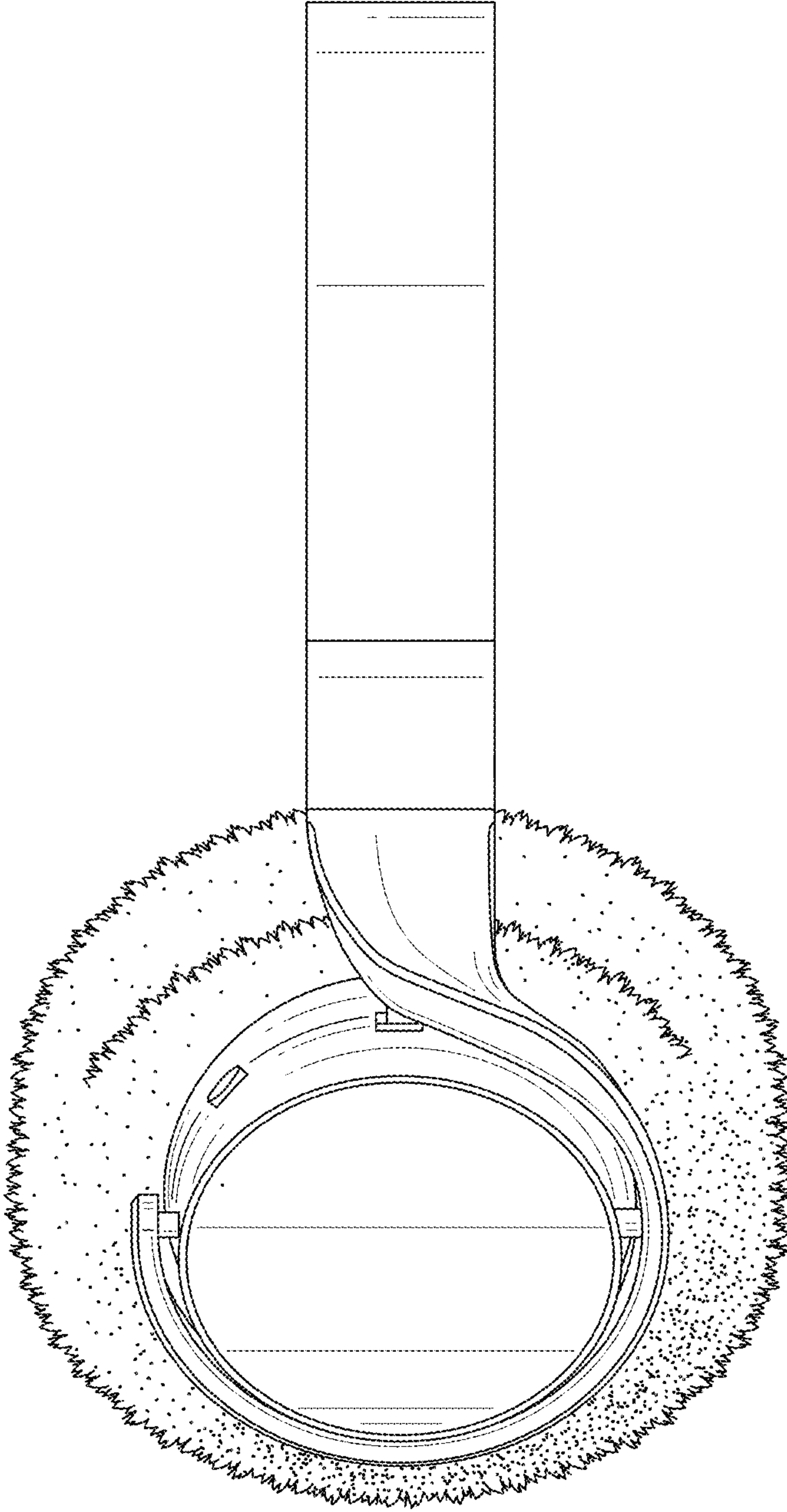


Fig. 4

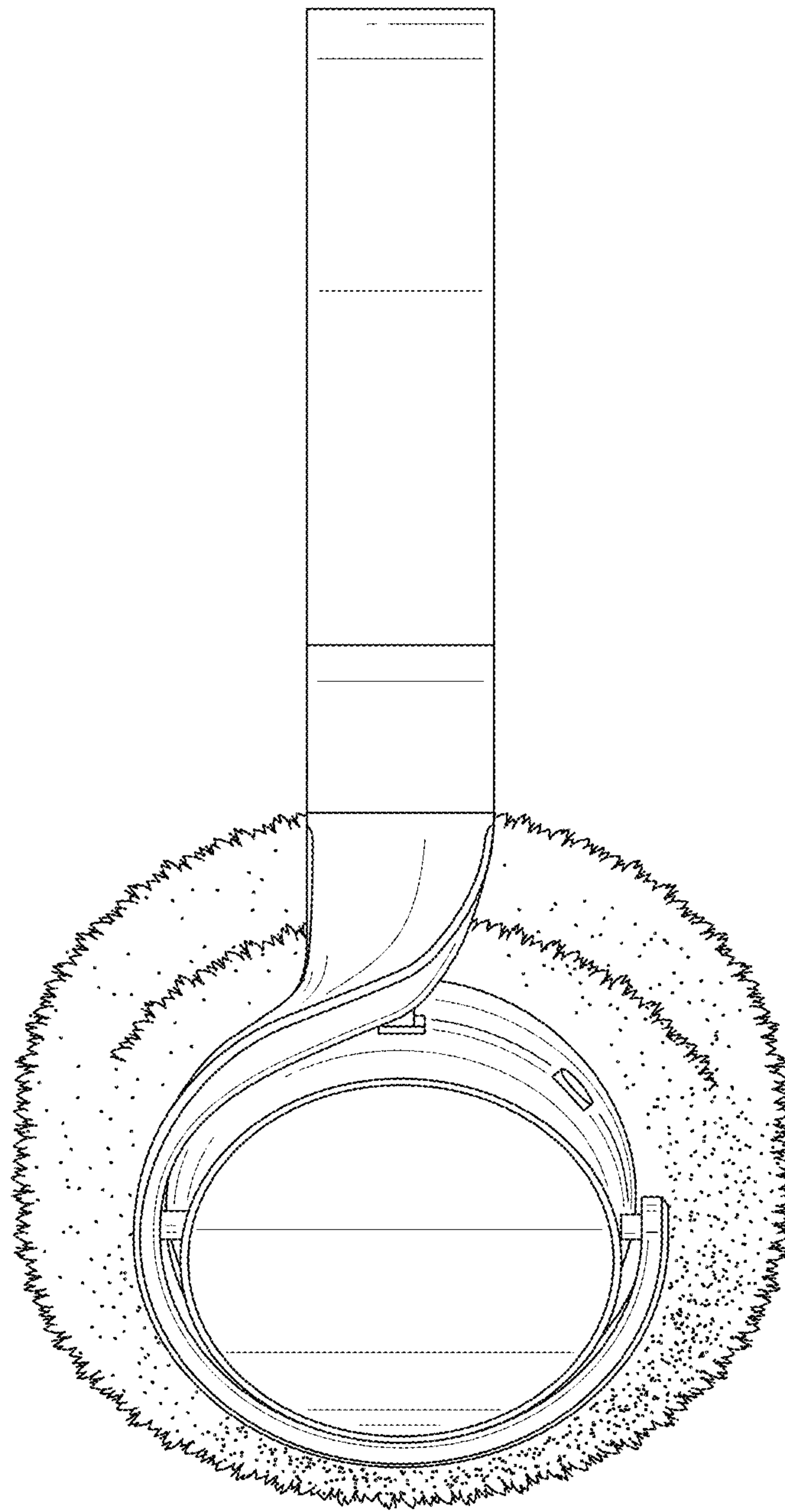


Fig. 5

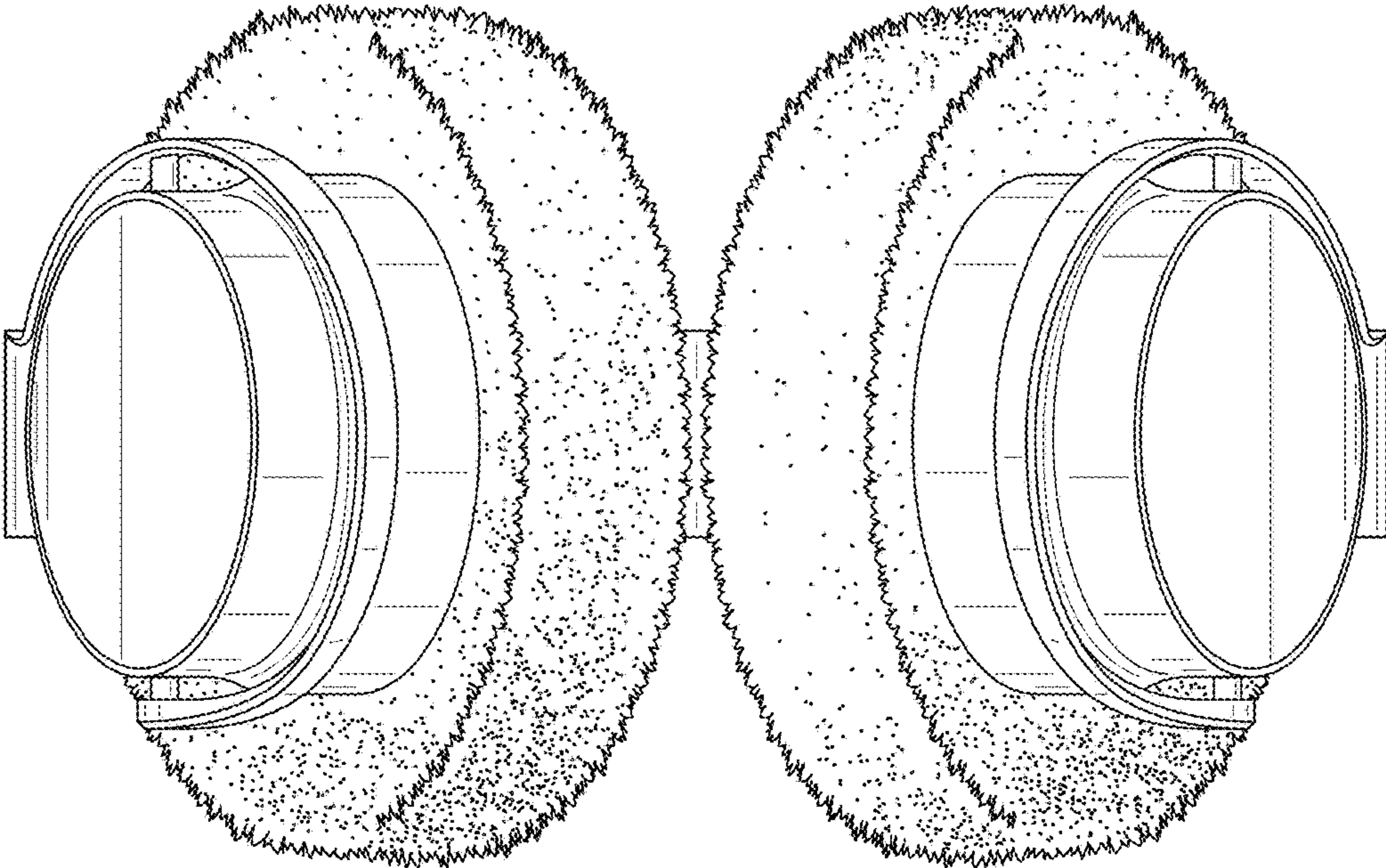


Fig. 6

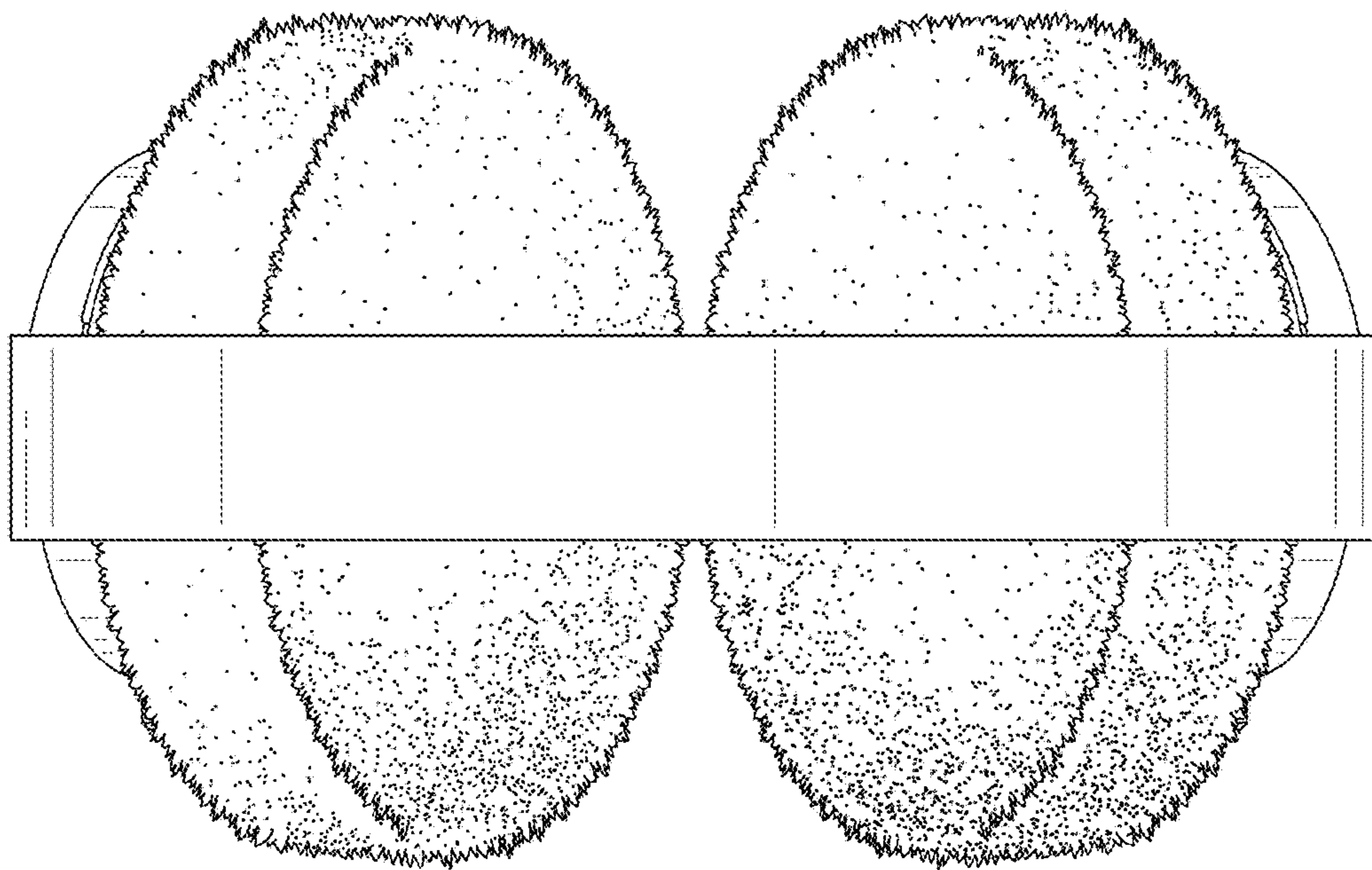


Fig. 7

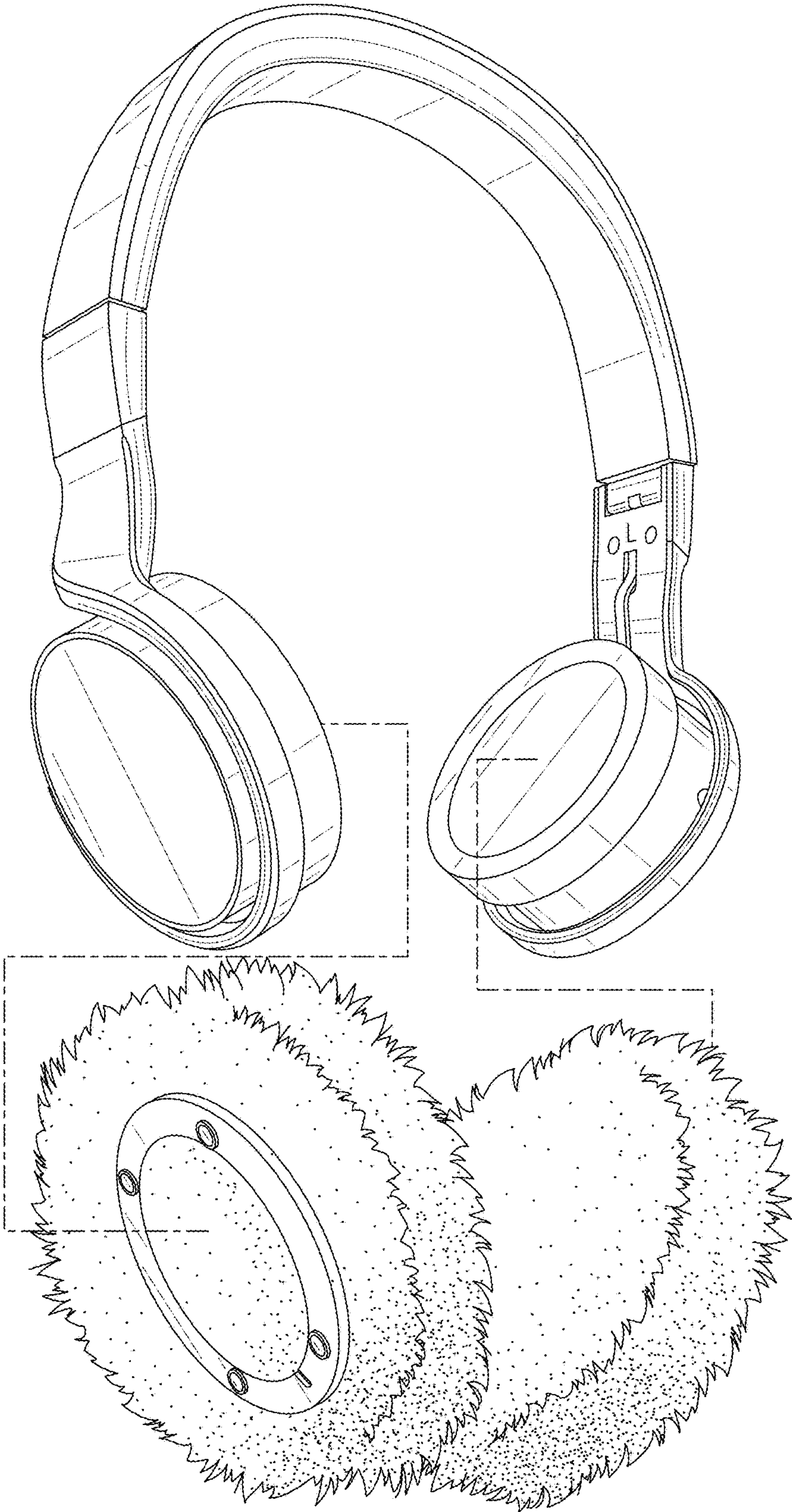


Fig. 8

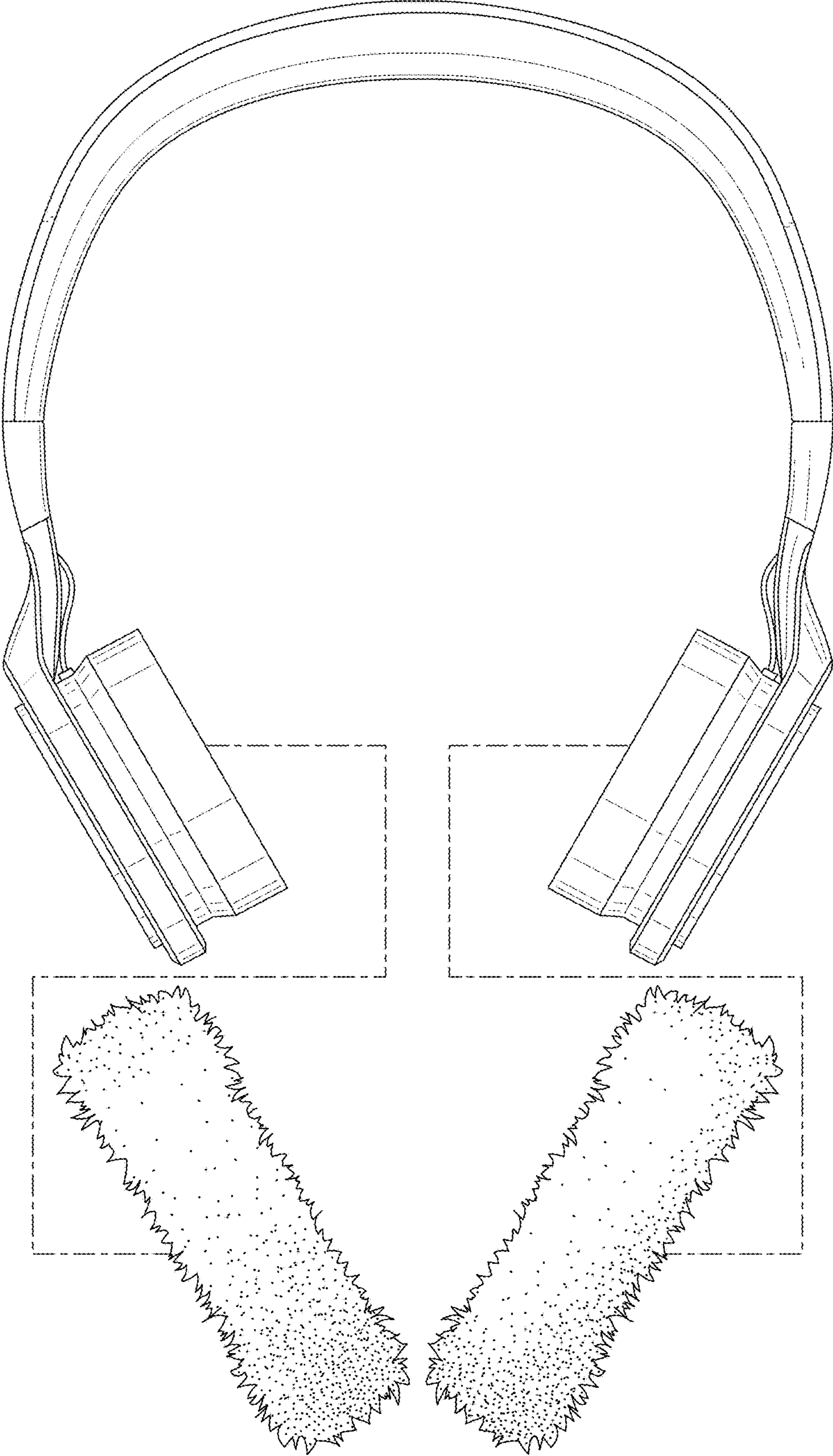


Fig. 9

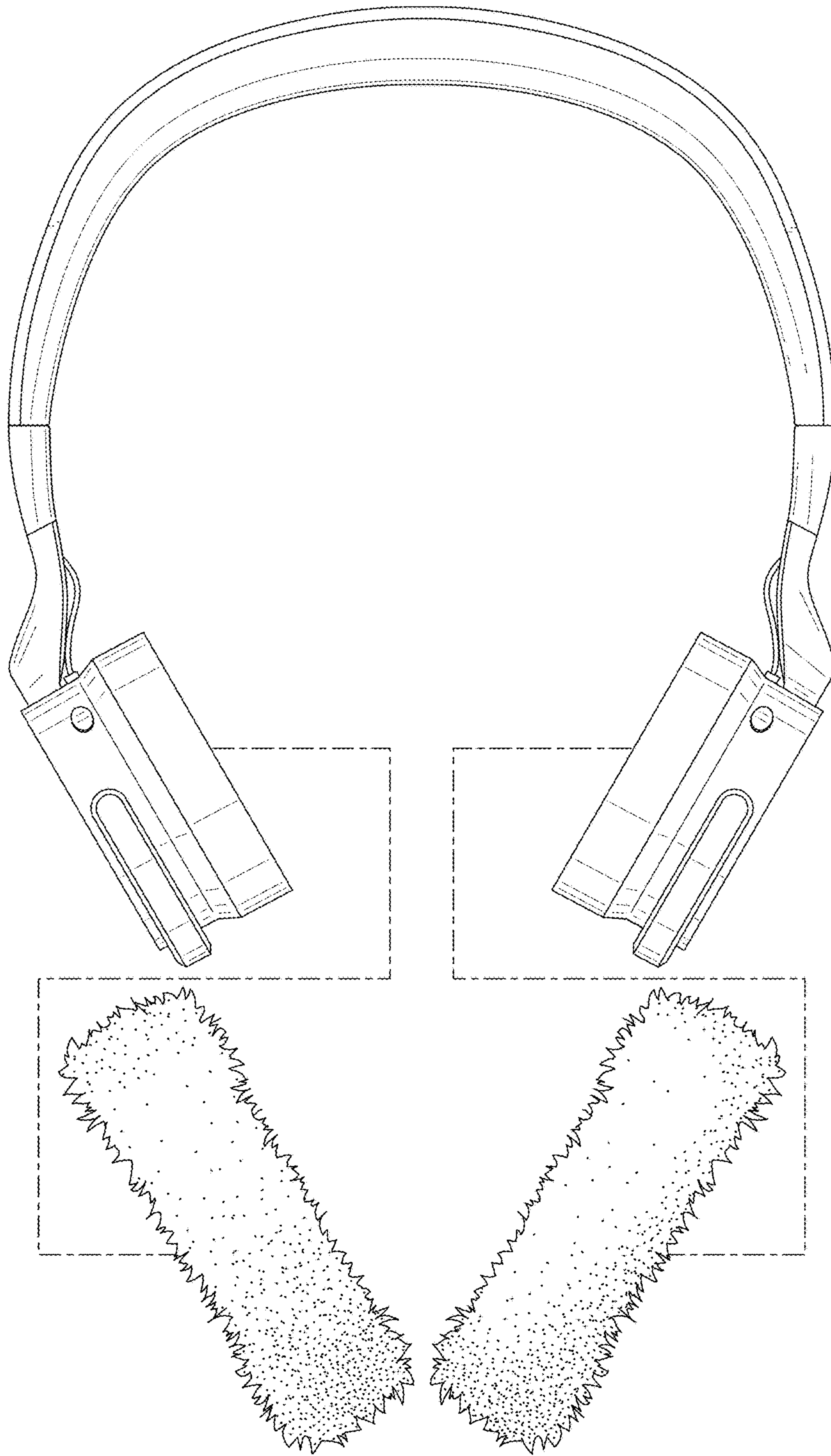


Fig. 10

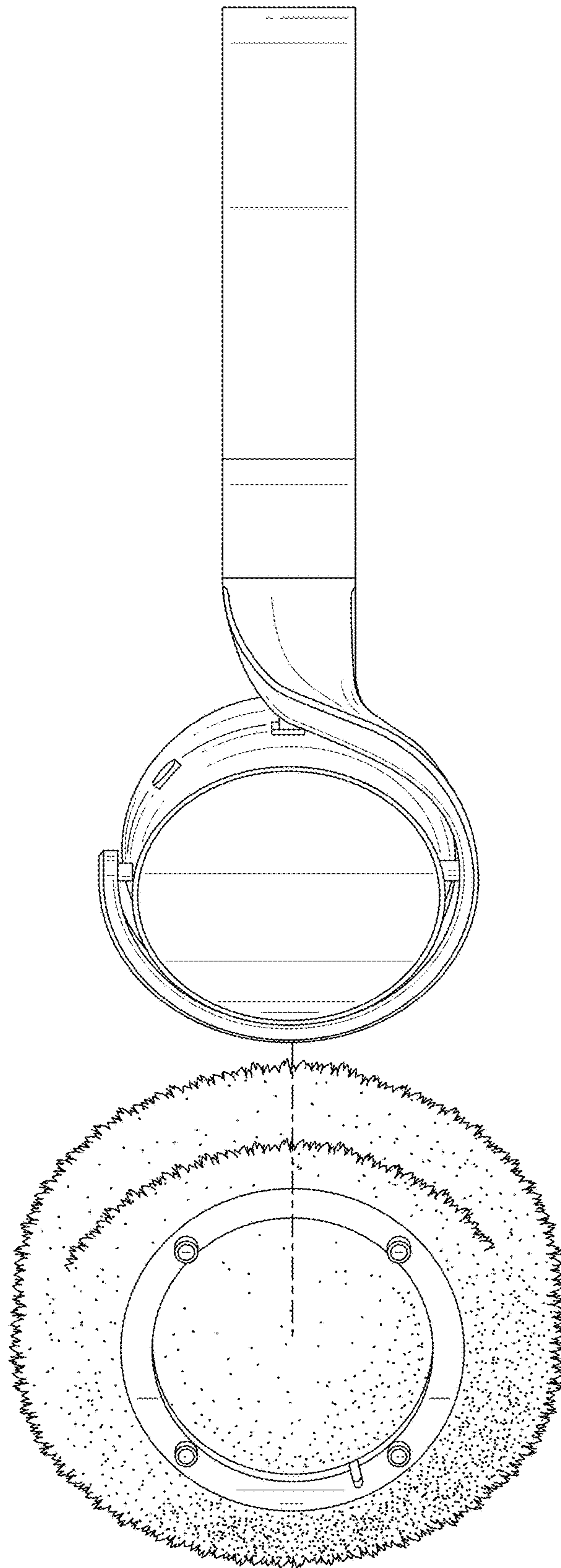


Fig. 11

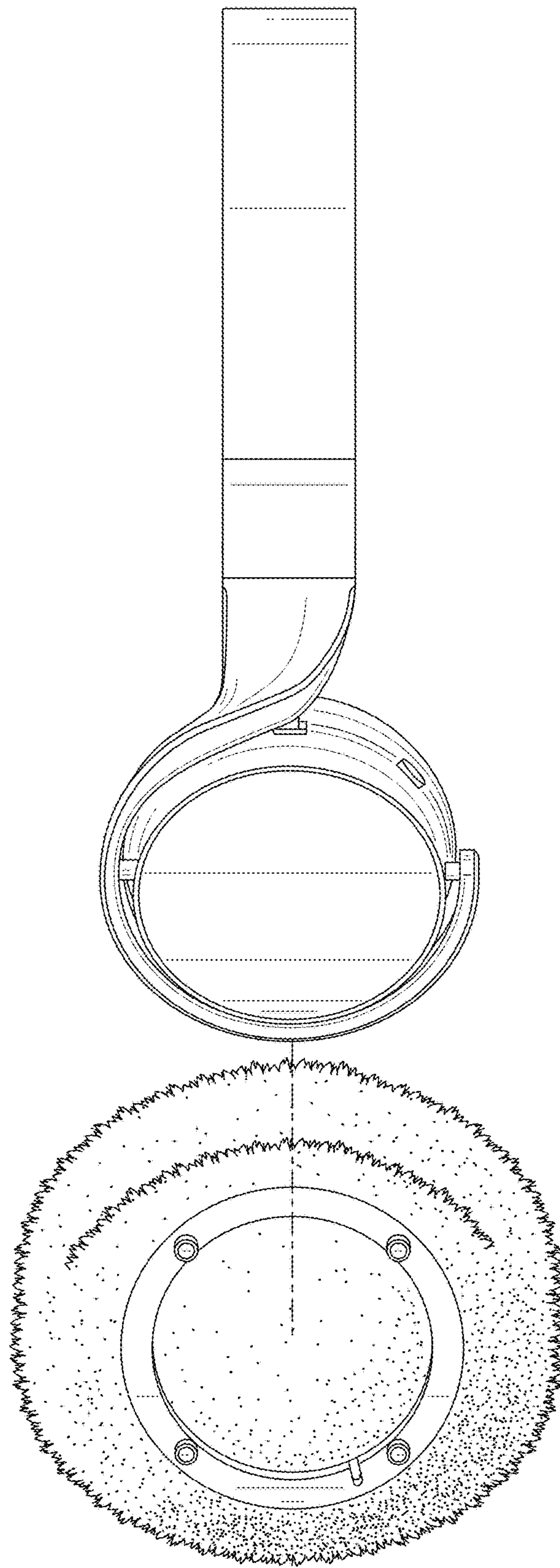


Fig. 12

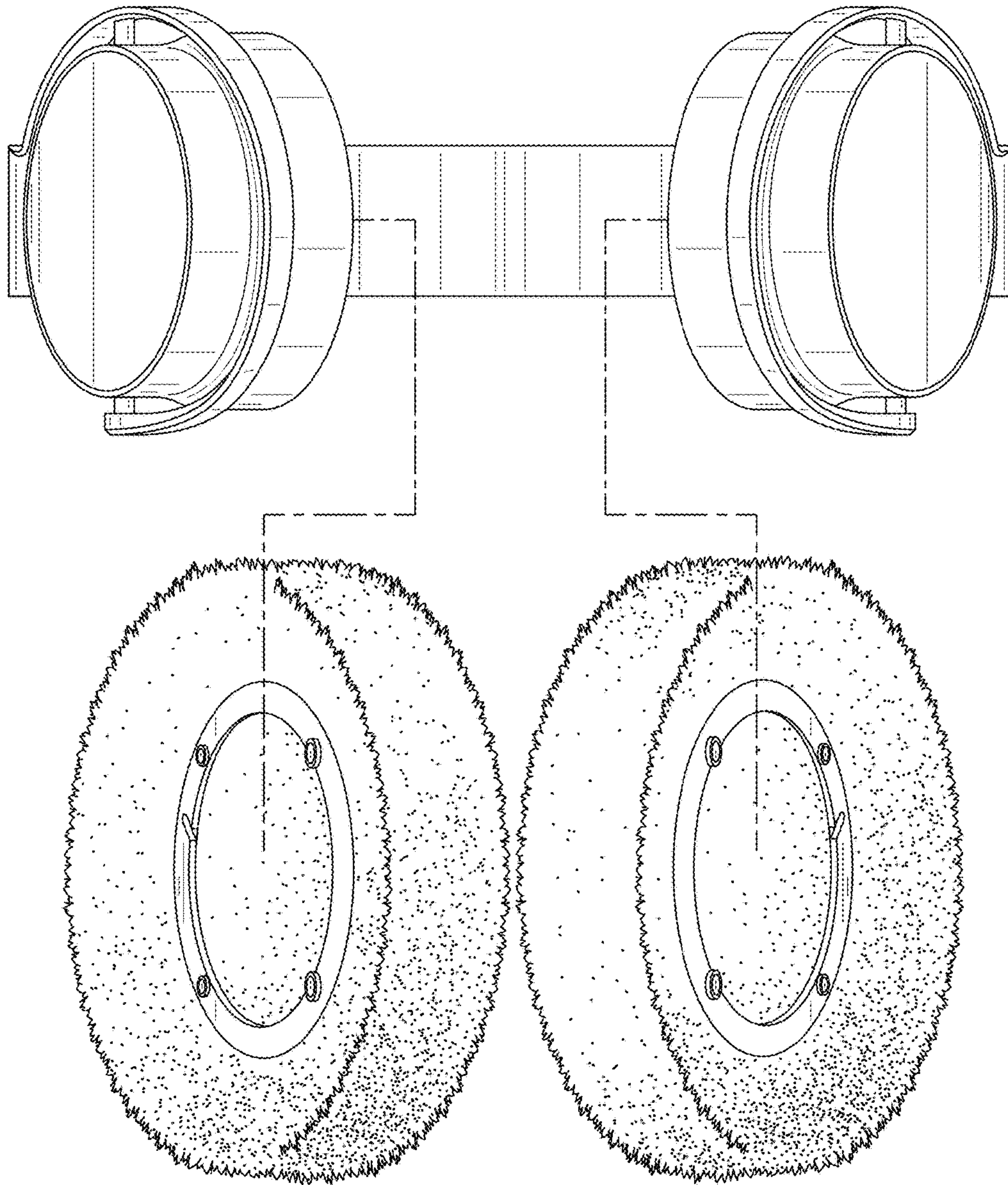


Fig. 13

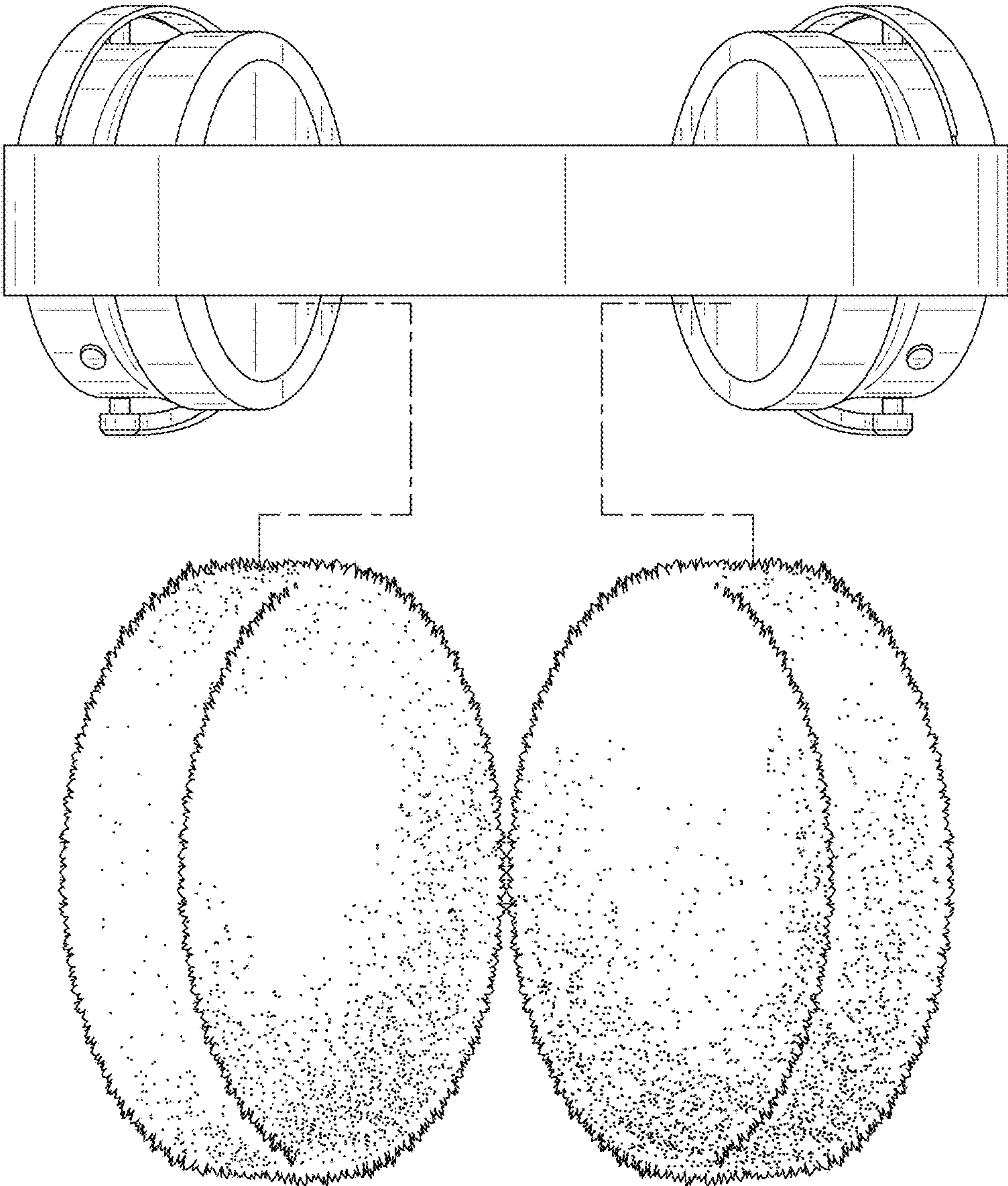


Fig. 14



Fig. 15

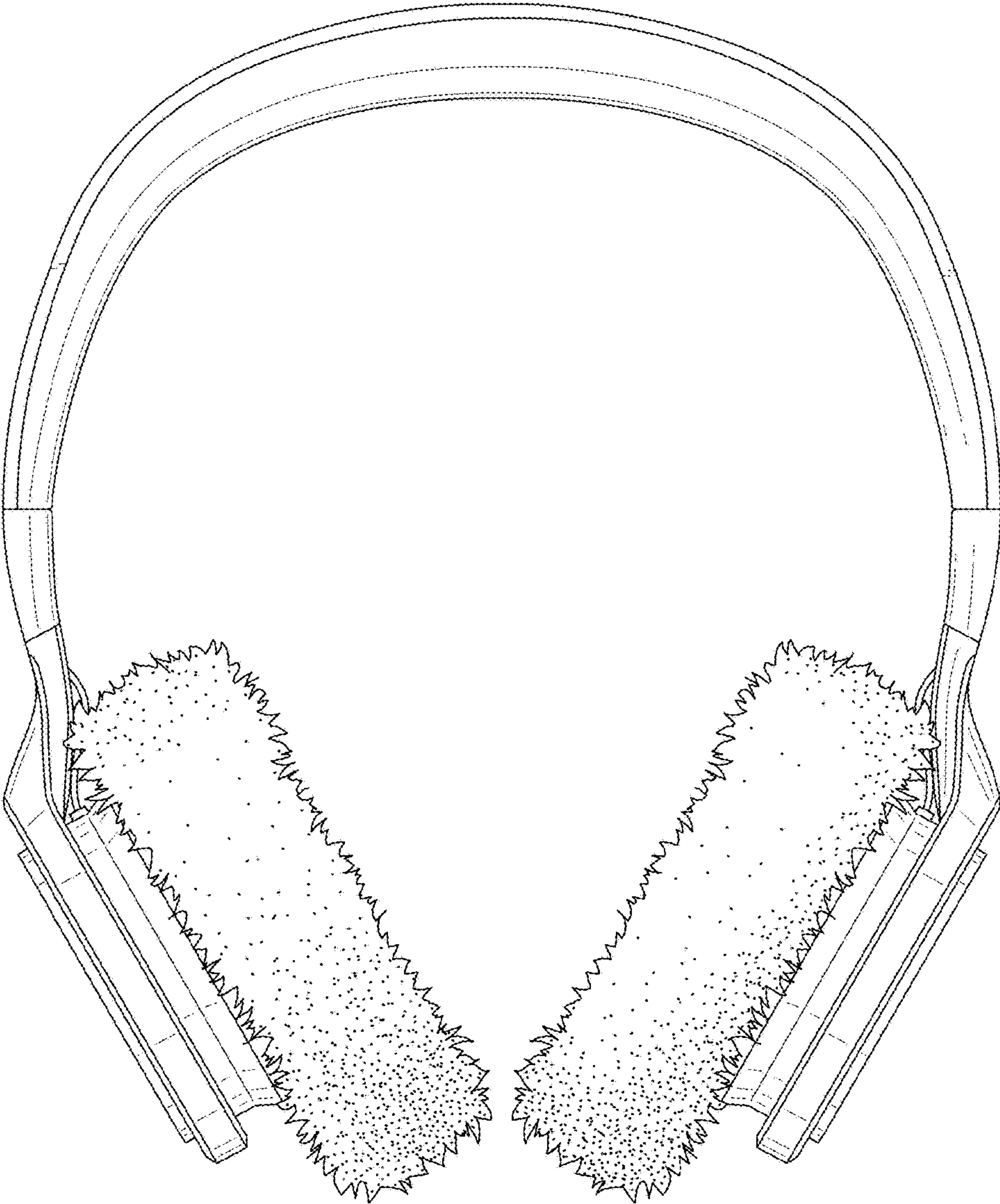


Fig. 16

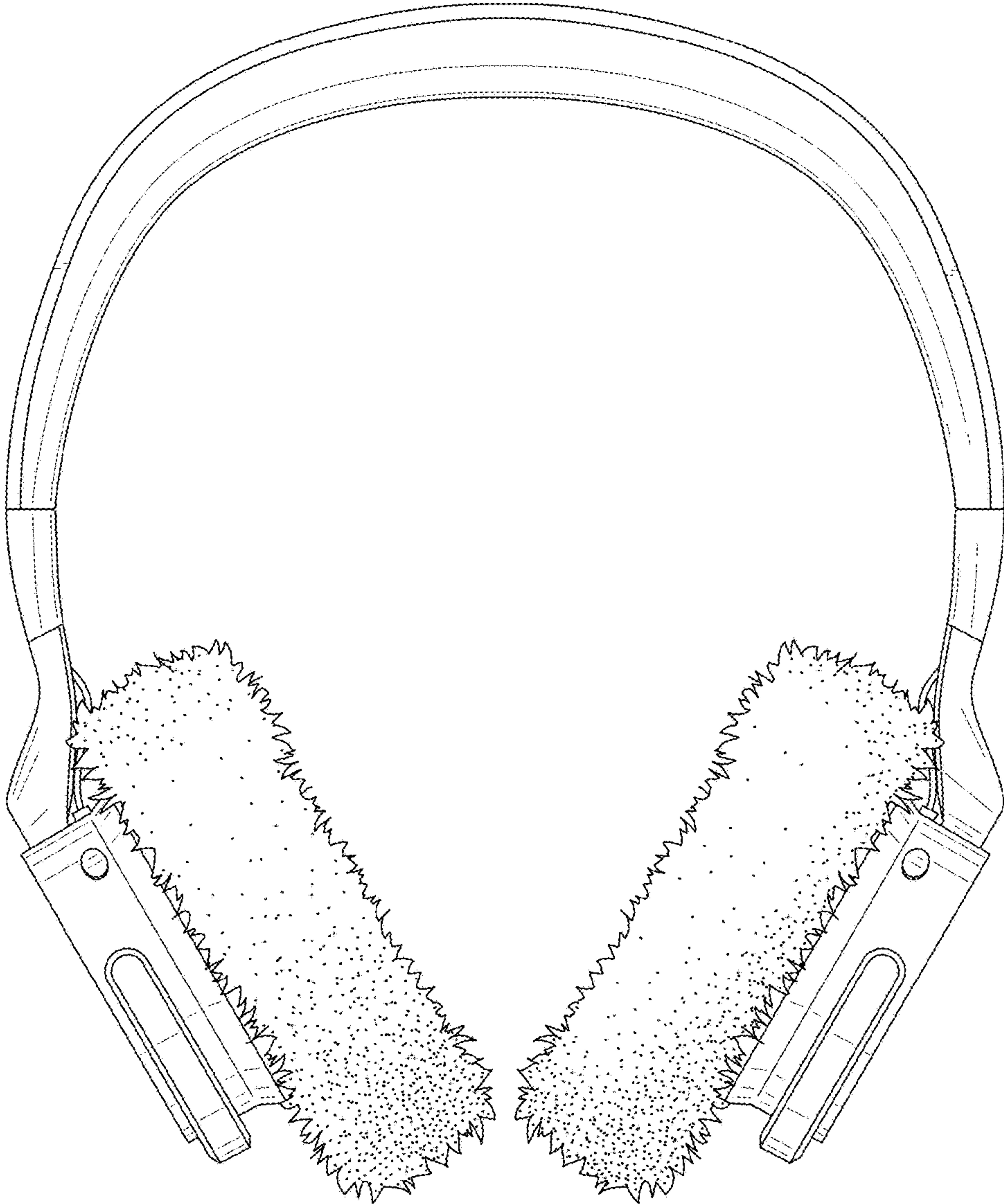


Fig. 17

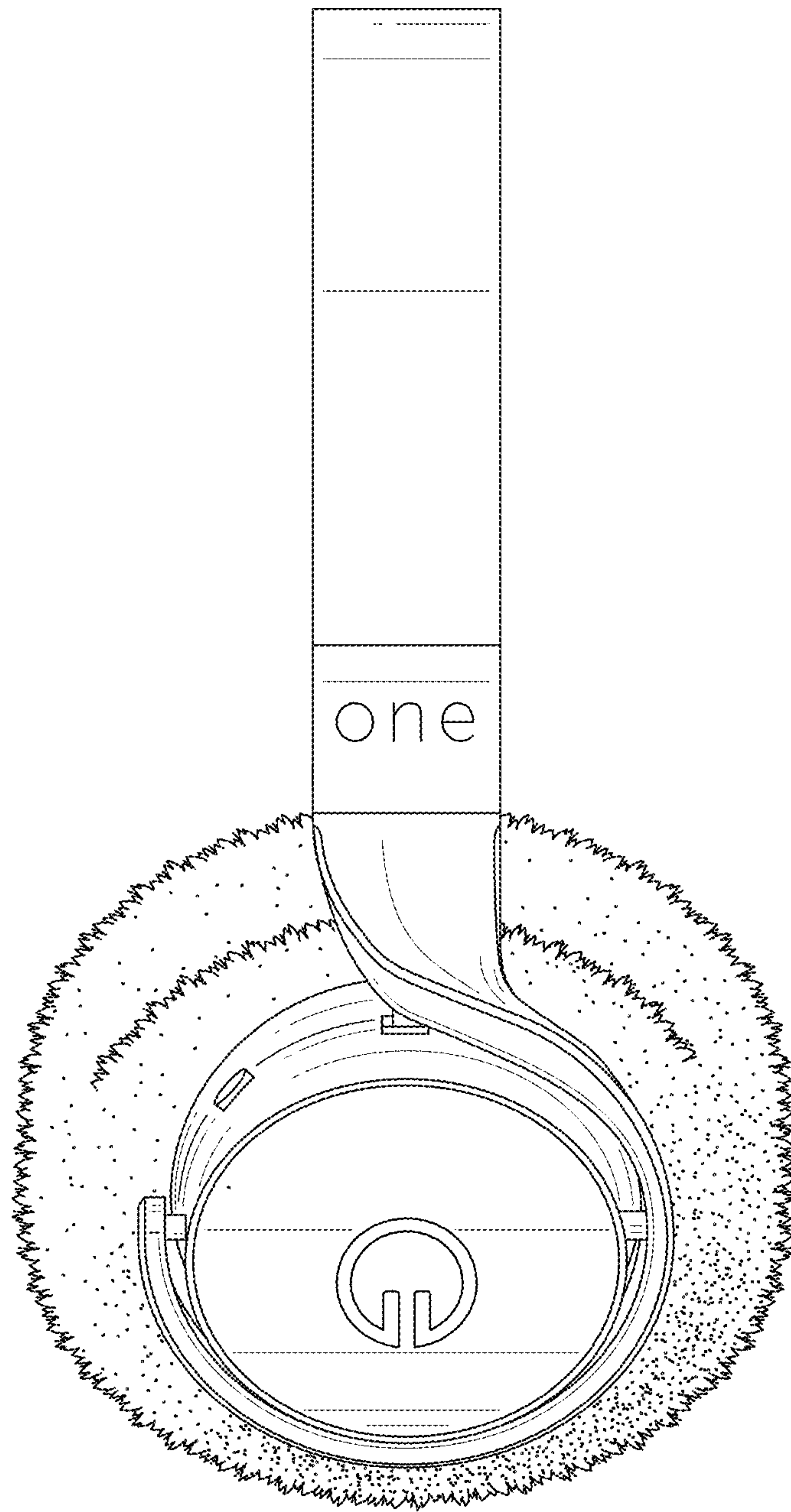


Fig. 18

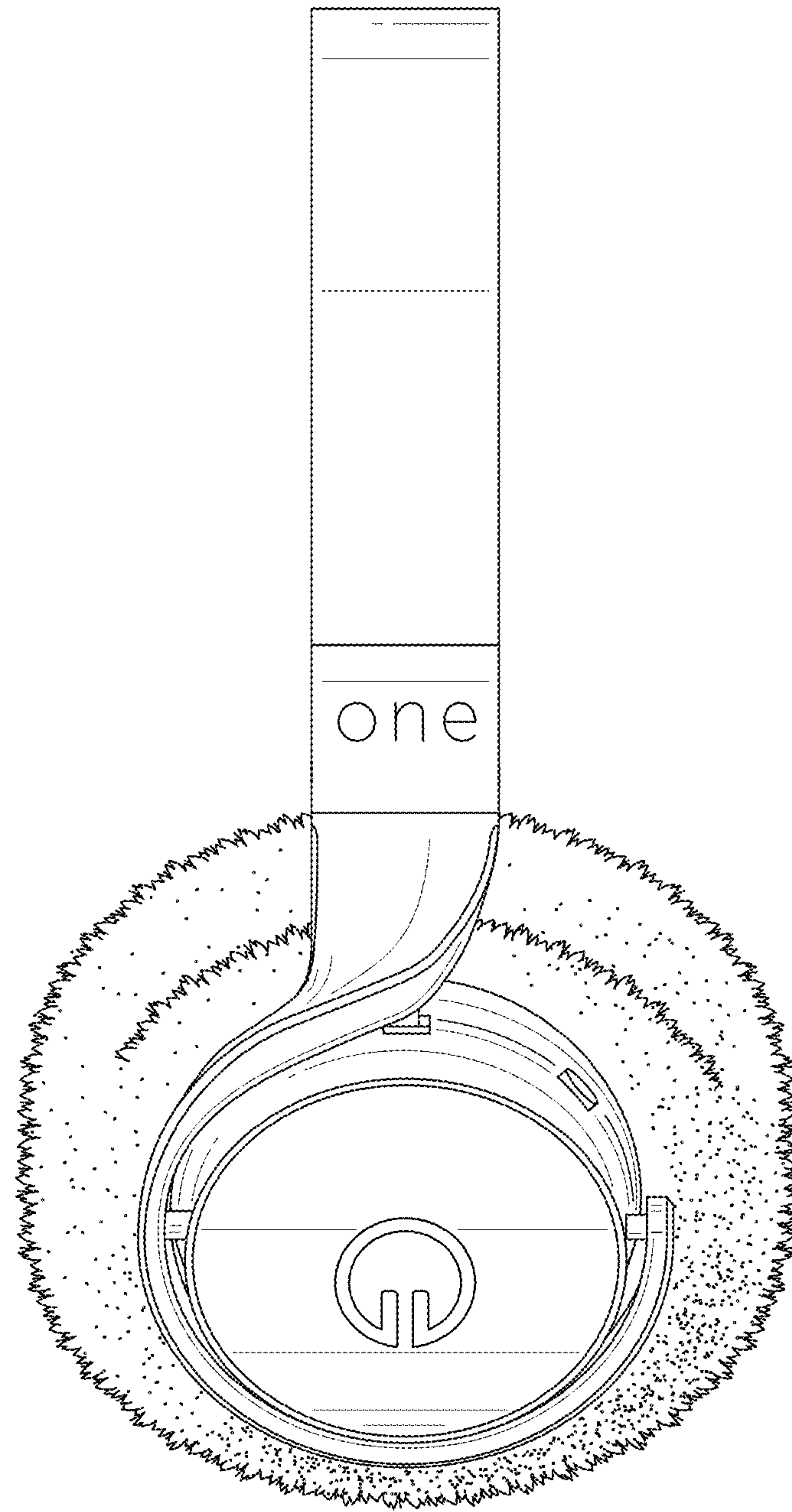


Fig. 19

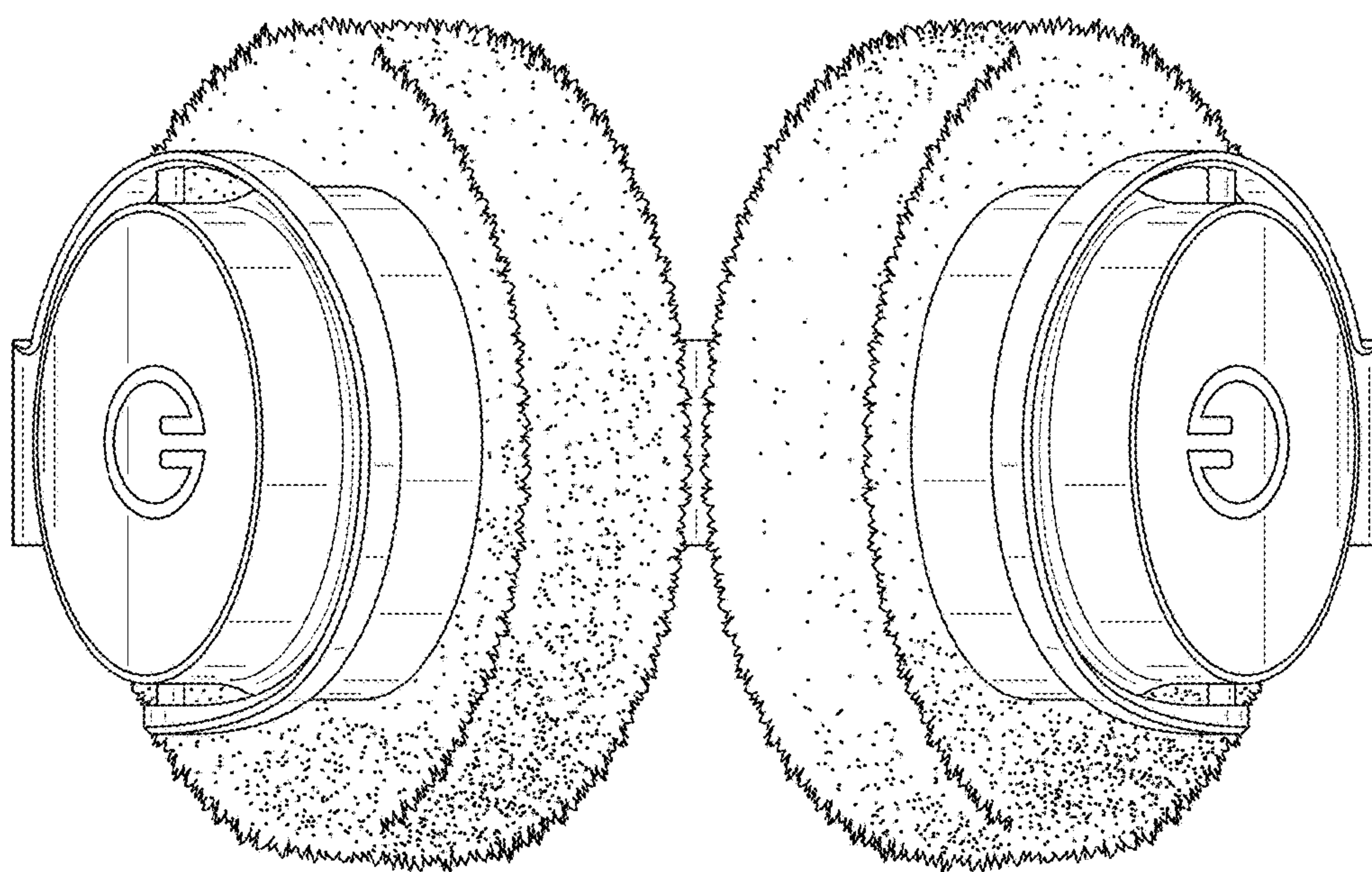


Fig. 20

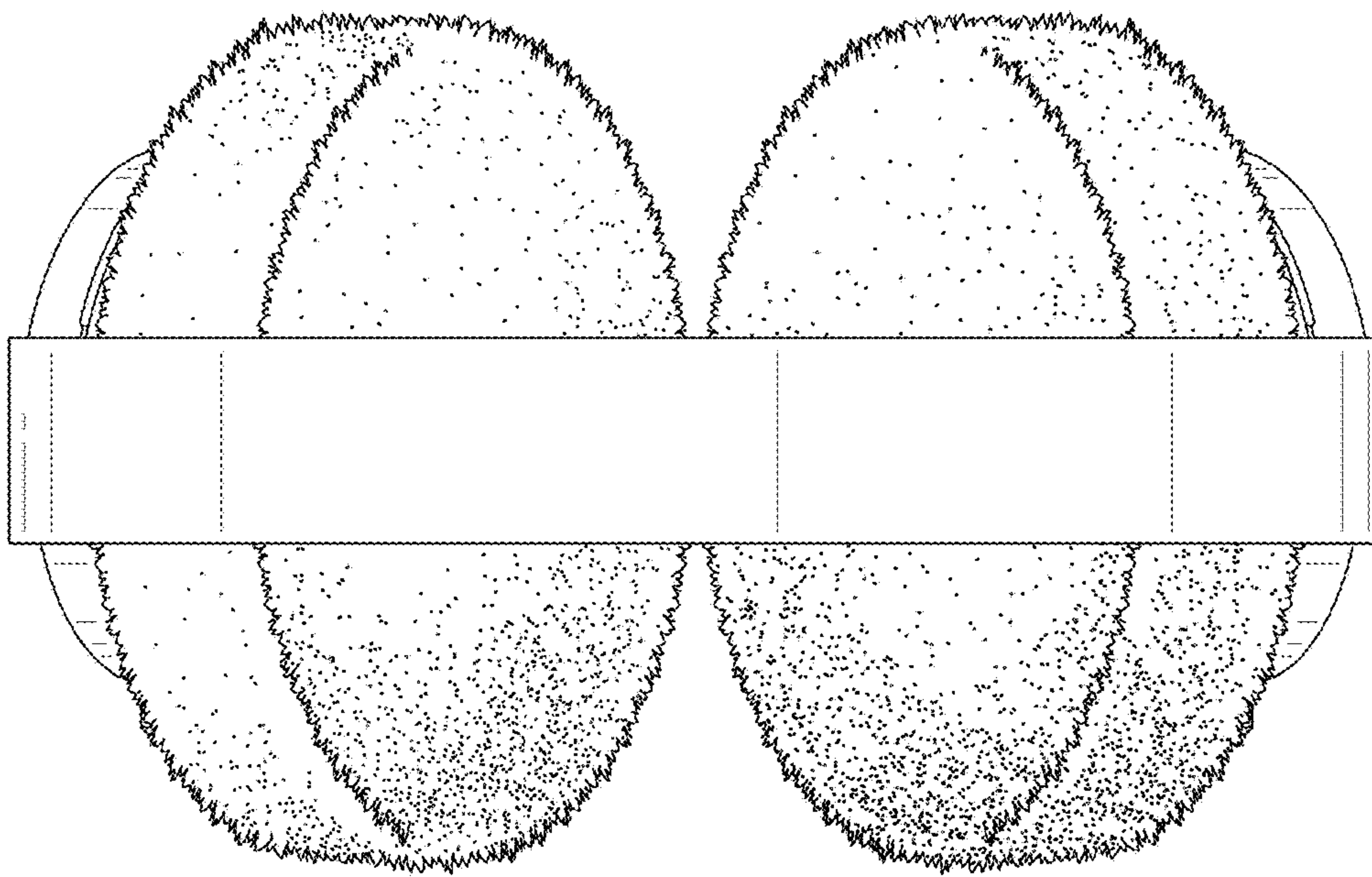


Fig. 21

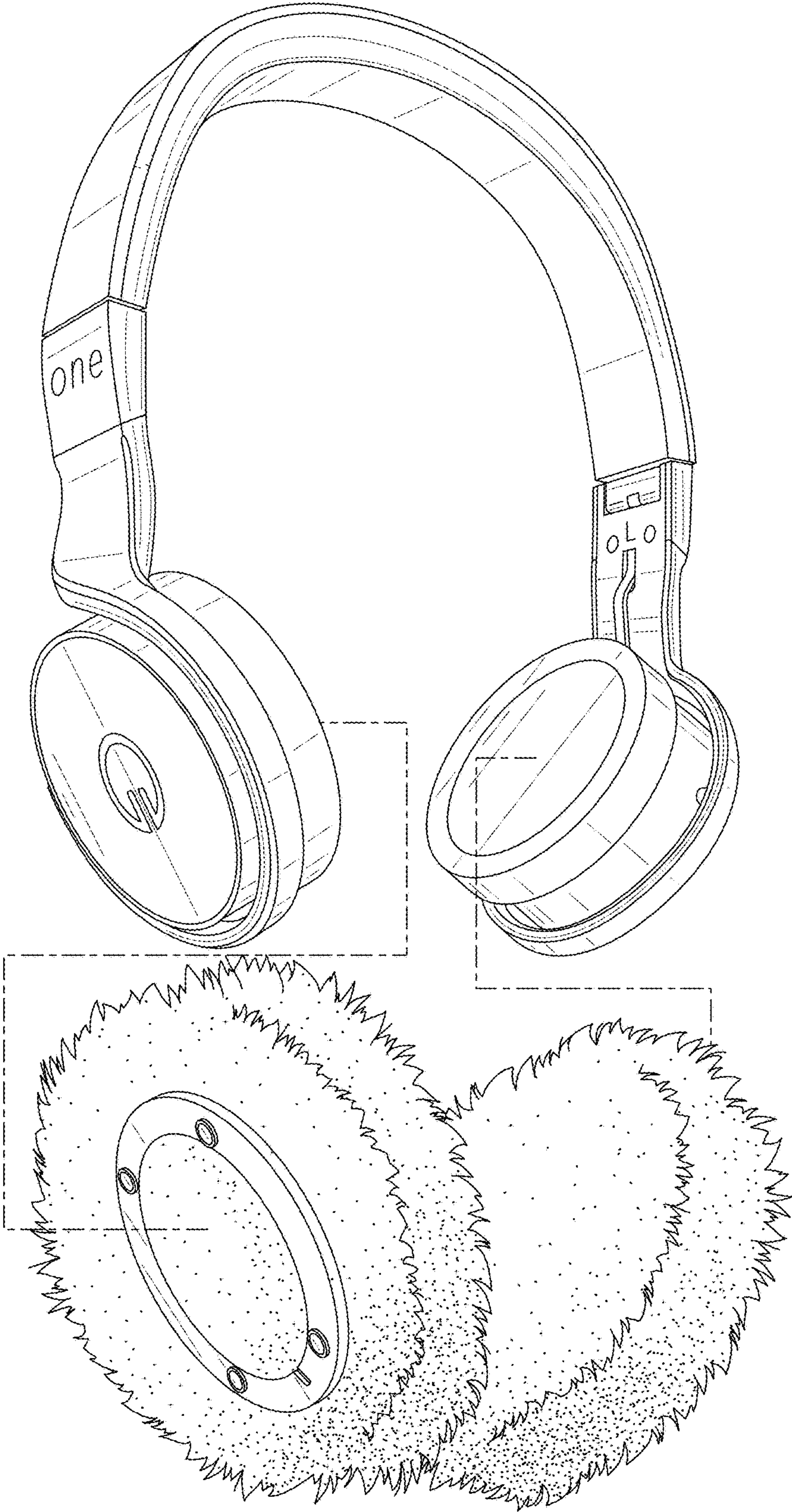


Fig. 22

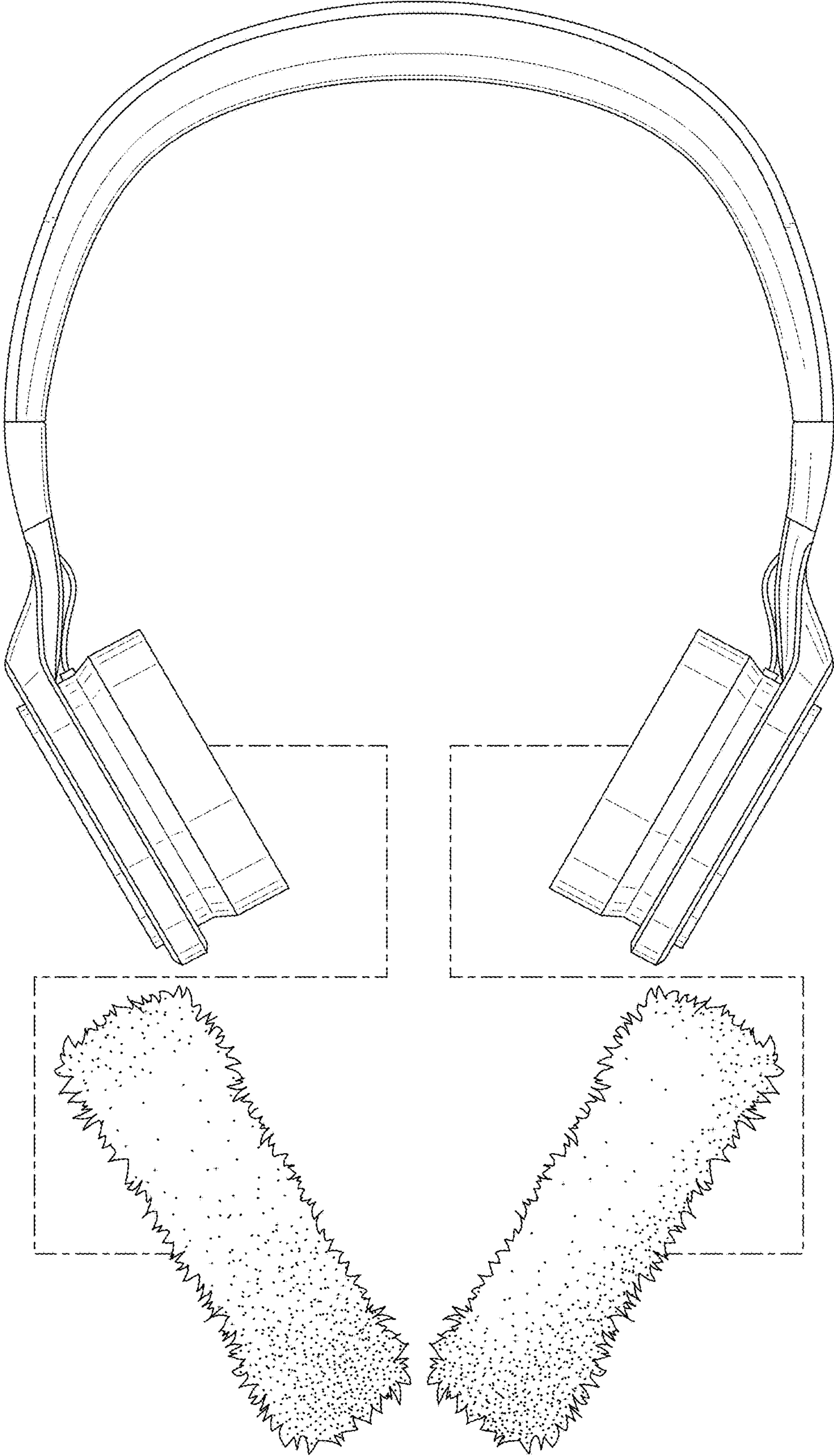


Fig. 23

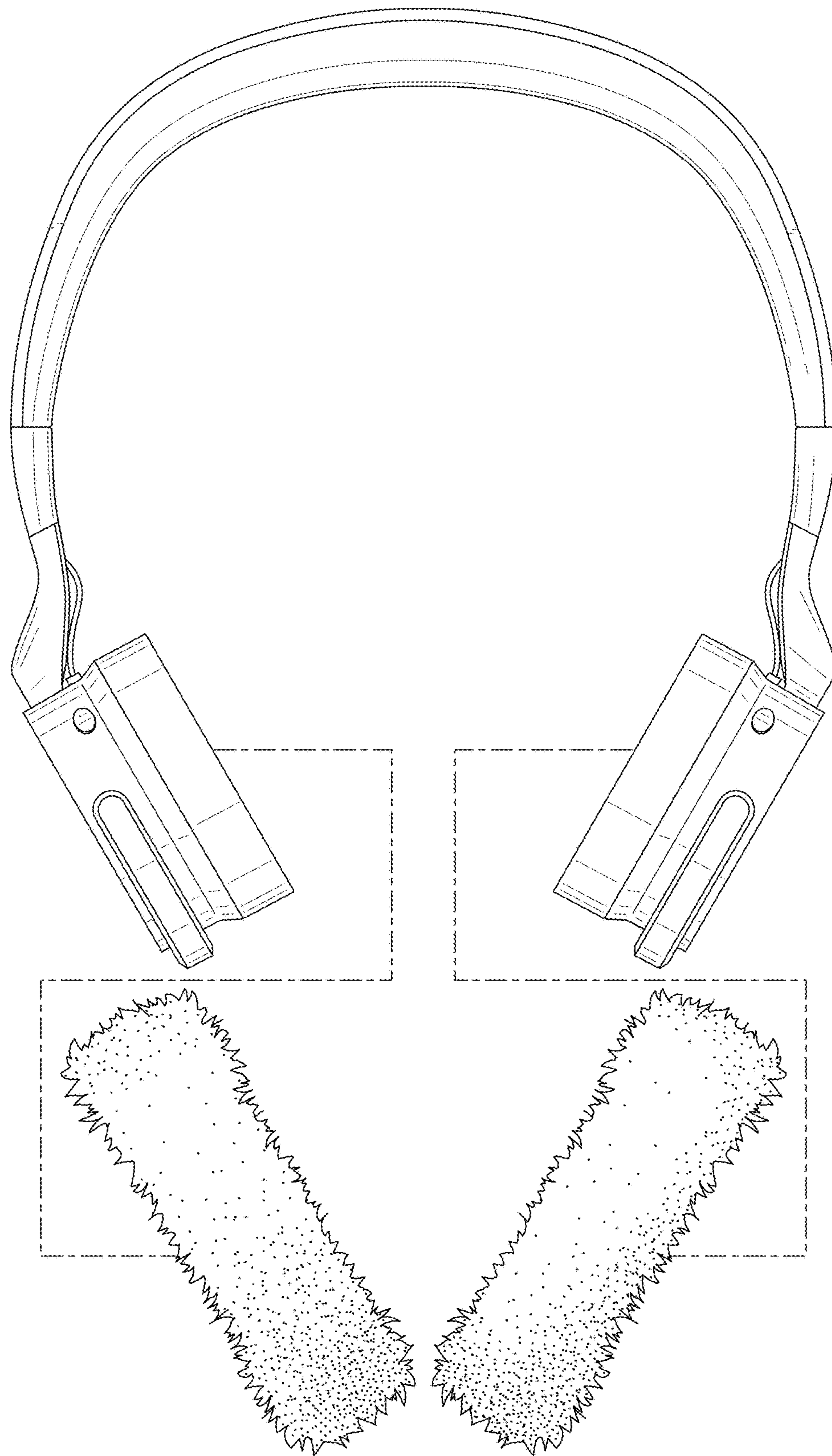


Fig. 24

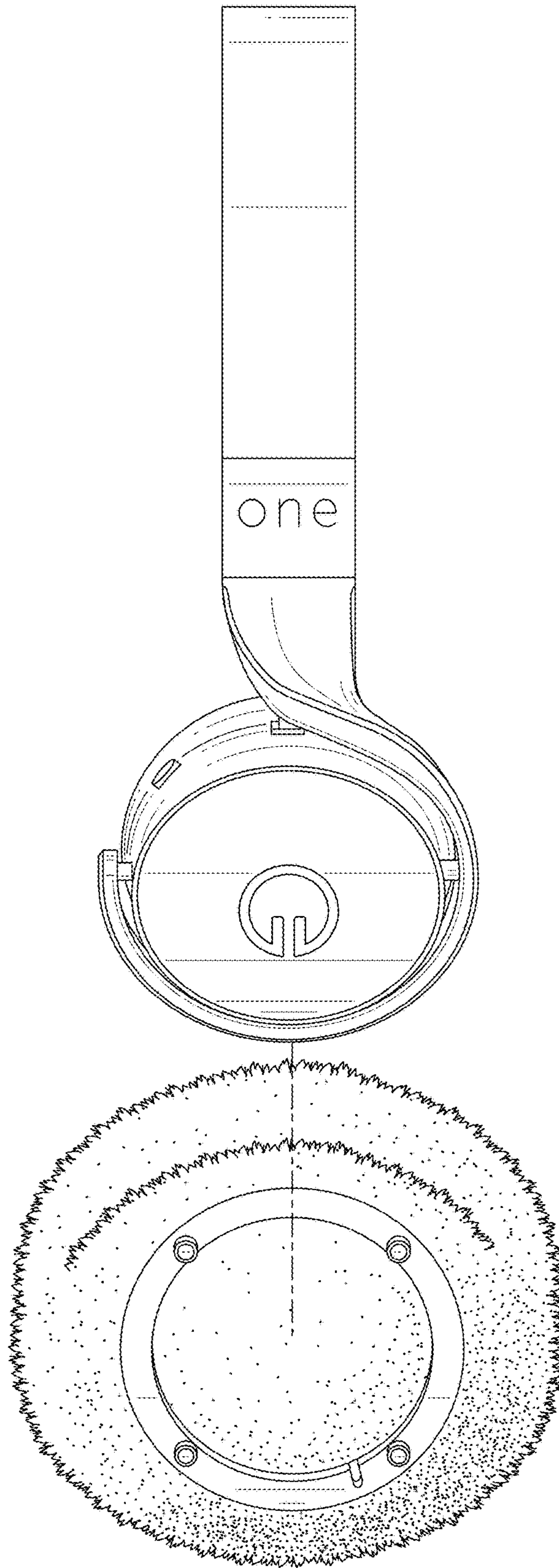


Fig. 25

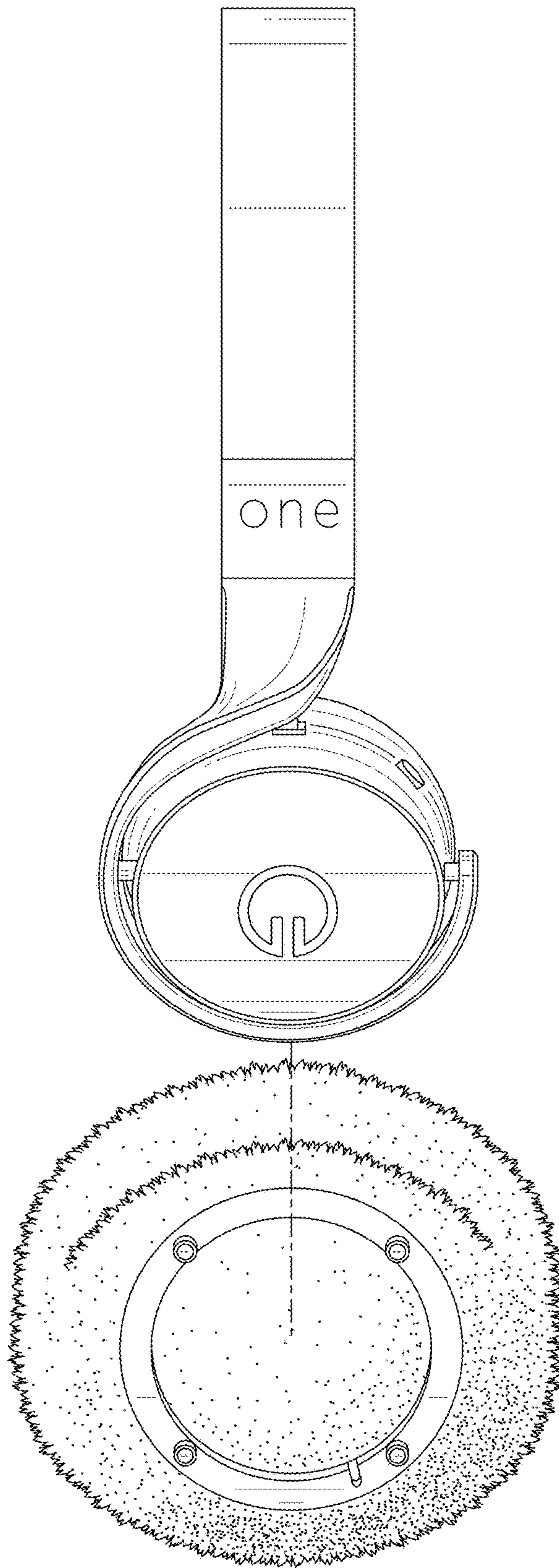


Fig. 26

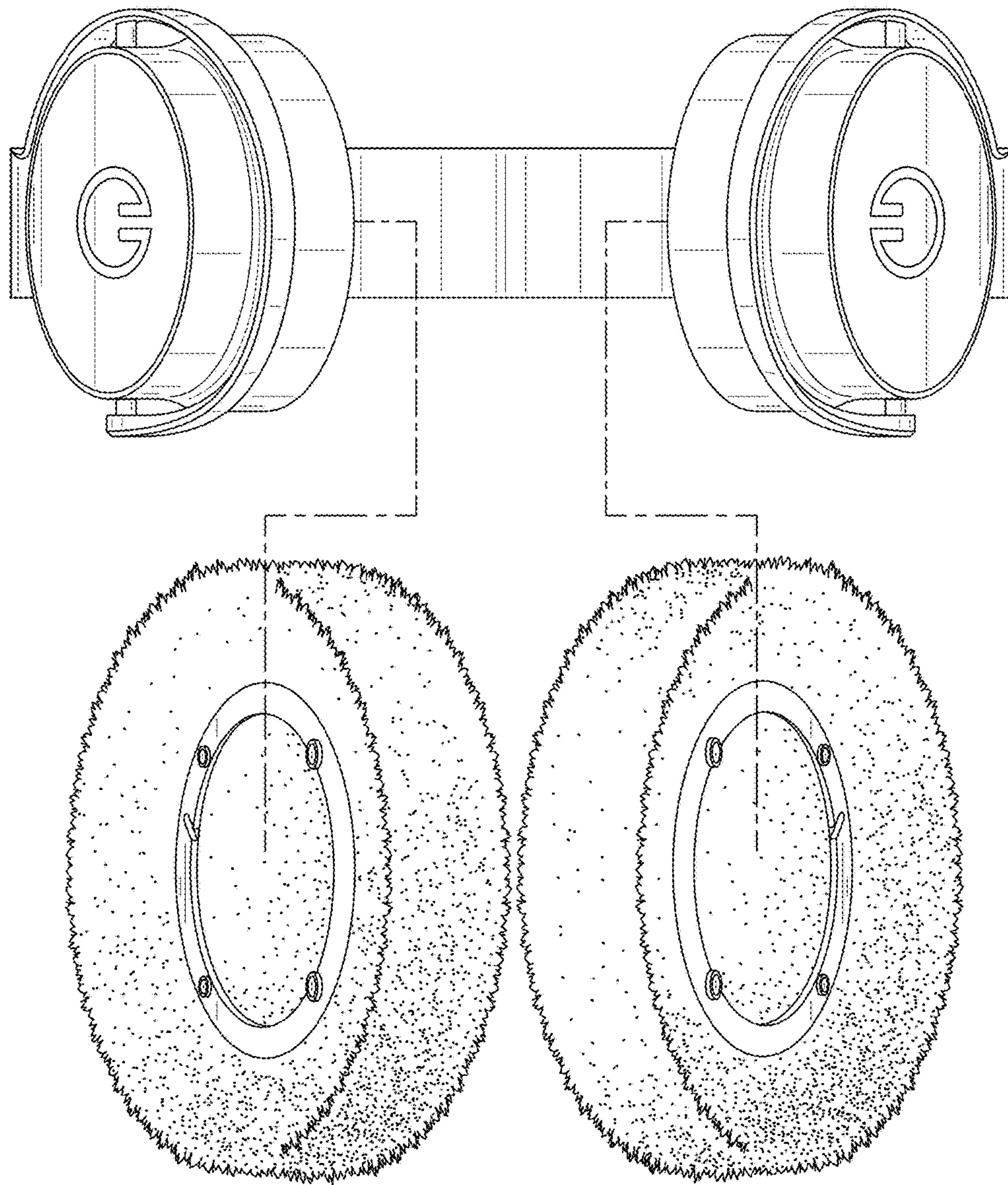


Fig. 27

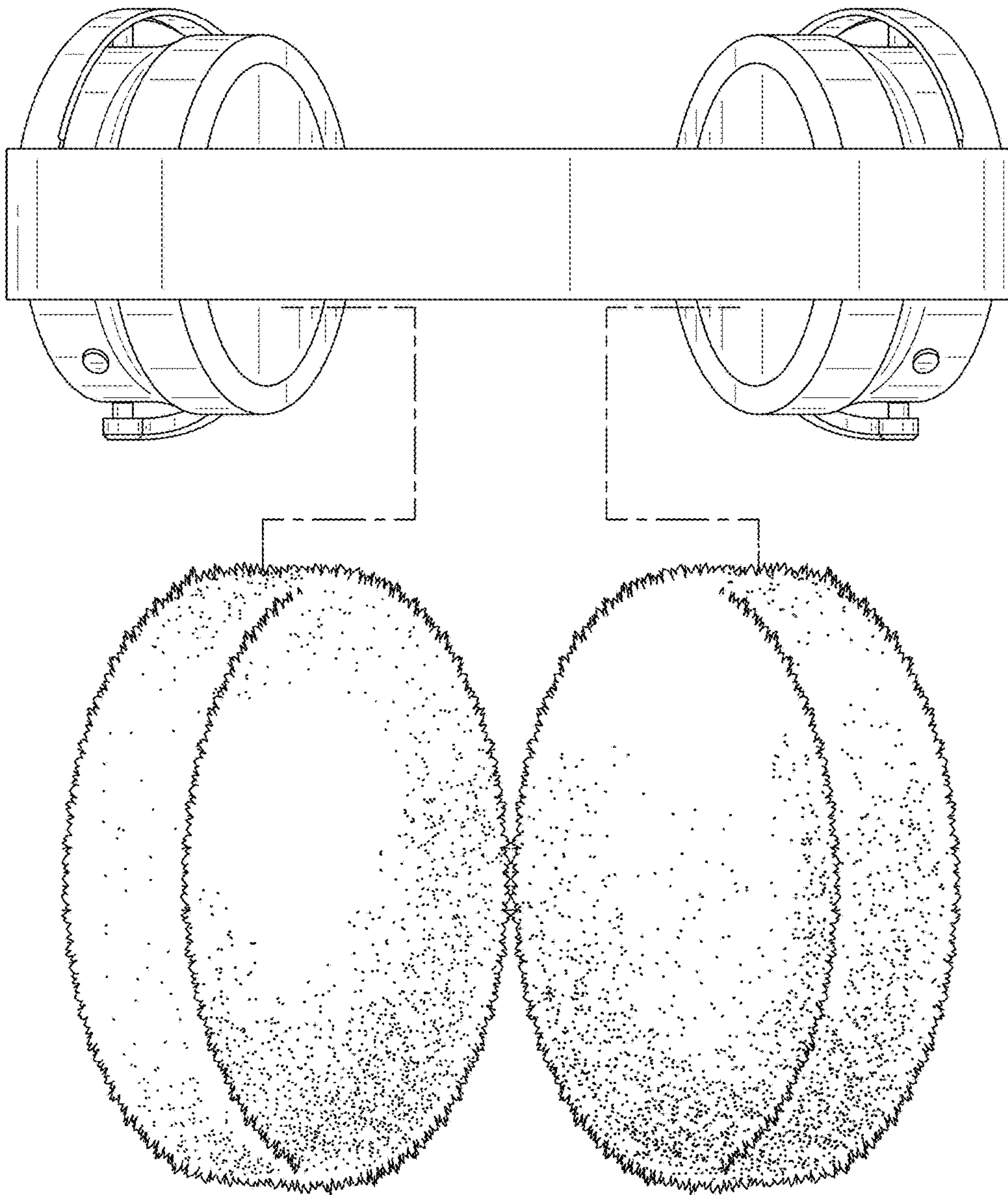


Fig. 28