



US00D814439S

(12) **United States Design Patent**
Birath et al.

(10) **Patent No.:** **US D814,439 S**

(45) **Date of Patent:** **** Apr. 3, 2018**

(54) **FOLDABLE HEADPHONE**

(71) Applicant: **Zound Industries International AB,**
Stockholm (SE)

(72) Inventors: **Martin Birath,** Lidingo (SE); **Andreas Enqvist,** Hagersten (SE)

(73) Assignee: **Zound Industries International AB,**
Stockholm (SE)

(**) Term: **15 Years**

(21) Appl. No.: **29/586,224**

(22) Filed: **Dec. 1, 2016**

(51) **LOC (11) Cl.** **14-01**

(52) **U.S. Cl.**
USPC **D14/205**

(58) **Field of Classification Search**
USPC D14/205; D29/112; 2/209, 423, 425;
181/129, 130, 135; 379/430, 431;
381/380, 381, 370, 371, 374, 379, 391;
455/90.3, 575.1, 569.1
CPC H04R 1/1066; H04R 1/1016; H04R 25/00;
H04R 1/10; H04R 5/0335; H04R 5/033
See application file for complete search history.

(56) **References Cited**

U.S. PATENT DOCUMENTS

- 2,394,374 A * 2/1946 Gilman H04R 1/1066
381/189
- 3,562,816 A * 2/1971 Hutchinson A61F 11/14
2/209
- D223,256 S * 4/1972 Thomson D14/205
- 3,681,540 A * 8/1972 Thomson H04R 1/1066
381/374
- D229,833 S * 1/1974 Becker D14/205
- D235,210 S * 5/1975 Hill D14/205
- 3,908,200 A * 9/1975 Lundin A61F 11/14
2/209
- D246,259 S * 11/1977 Nishimura D14/205

- D246,519 S * 11/1977 Kato D14/205
- 4,133,053 A * 1/1979 Lundin H04R 1/1058
2/209
- D255,352 S * 6/1980 Besasie D14/205
- D266,417 S * 10/1982 Perez D14/165
- 4,459,707 A * 7/1984 Stallings A61F 11/14
181/129
- 4,499,593 A * 2/1985 Antle H04R 1/1066
381/309
- 4,572,323 A * 2/1986 Randall A61F 11/14
181/129
- 4,689,822 A * 8/1987 Houng H04R 1/1066
381/371
- D301,145 S * 5/1989 Besasie D14/205
- 4,993,065 A * 2/1991 Chiou H04M 1/05
379/430

(Continued)

Primary Examiner — Paula Allen Greene

(74) *Attorney, Agent, or Firm* — Alonzo & Associates;
Arlyn Alonzo

(57) **CLAIM**

The ornamental design for a foldable headphone, as shown and described.

DESCRIPTION

FIG. 1 is a perspective view of an exemplary foldable headphone.

FIG. 2 is a front view thereof.

FIG. 3 is a rear view thereof.

FIG. 4 is a left side view thereof.

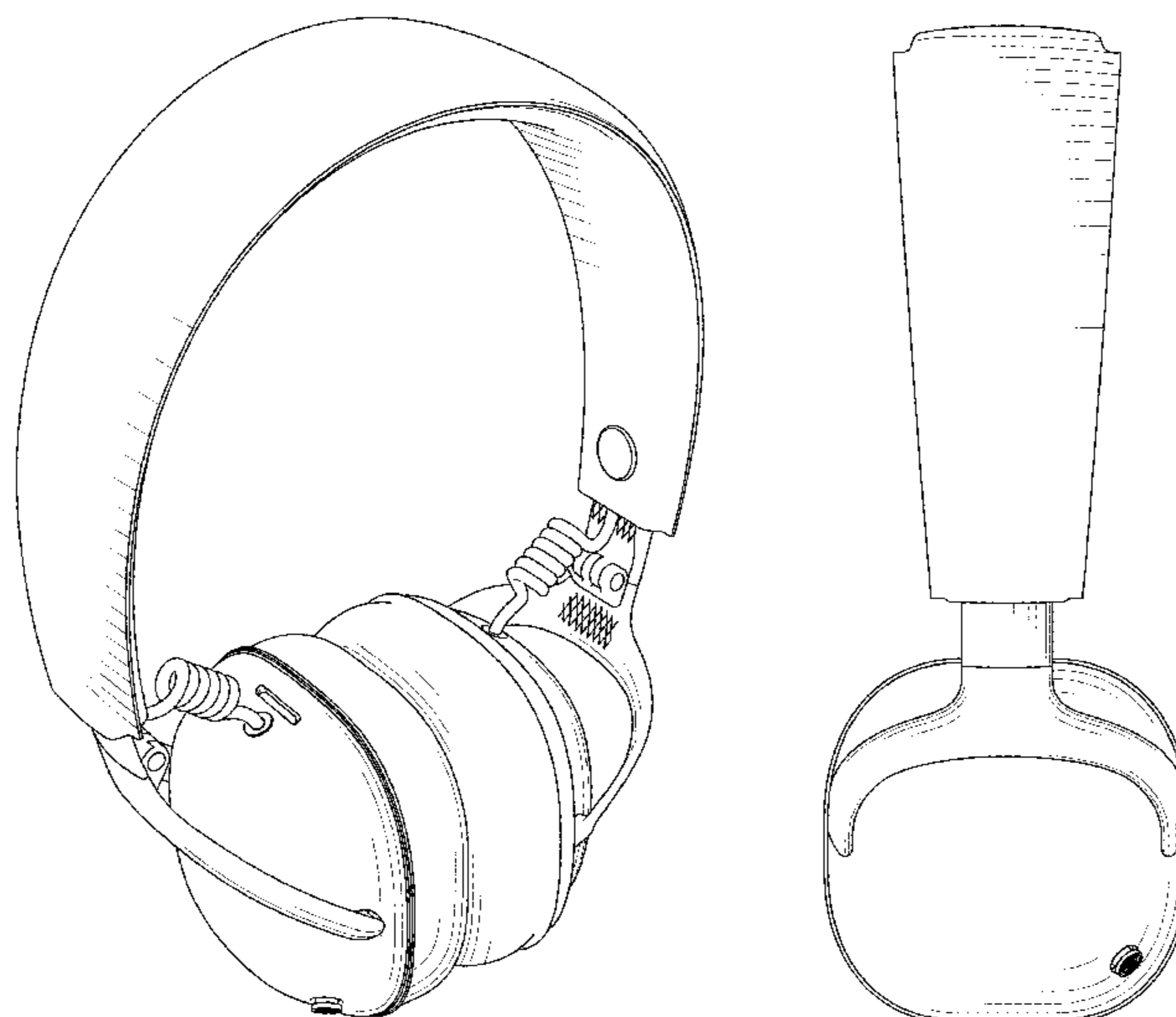
FIG. 5 is a right side view thereof.

FIG. 6 is a top view thereof; and,

FIG. 7 is a bottom view thereof.

The foldable headphone may be used for listening to music and/or audio signals, and may include a microphone for recording or transmitting music and/or audio signals. The foldable headphone may be a wired or a wireless device.

1 Claim, 6 Drawing Sheets



(56)

References Cited

U.S. PATENT DOCUMENTS

D317,767 S * 6/1991 Banks D14/205
D326,654 S * 6/1992 Brown D14/192
5,185,807 A * 2/1993 Bergin H04R 1/1066
181/128
D337,115 S * 7/1993 Yamazaki D14/205
D353,817 S * 12/1994 Wada D14/205
5,384,857 A * 1/1995 Nordin A61F 11/14
381/374
D411,200 S * 6/1999 Almqvist D14/192
6,081,604 A * 6/2000 Hikichi H04R 1/083
381/124
D434,191 S * 11/2000 Emilsson D29/112
6,449,806 B1 * 9/2002 Engelhard H04M 1/05
2/209
6,611,963 B2 * 9/2003 Woo A61F 11/14
2/209
D497,608 S * 10/2004 Birgersson D14/205
D512,708 S * 12/2005 Harris, Jr. D14/205
D605,629 S * 12/2009 Suwalski D14/206
D616,419 S * 5/2010 Suwalski D14/206
D616,865 S * 6/2010 Marchand D14/205
D719,136 S * 12/2014 Schaal D14/205
D721,052 S * 1/2015 Carr D14/205
D734,294 S * 7/2015 Euler D14/205
D795,218 S * 8/2017 Ohmachi D14/205
2011/0225705 A1 * 9/2011 Fernandes A42B 3/166
2/209

* cited by examiner

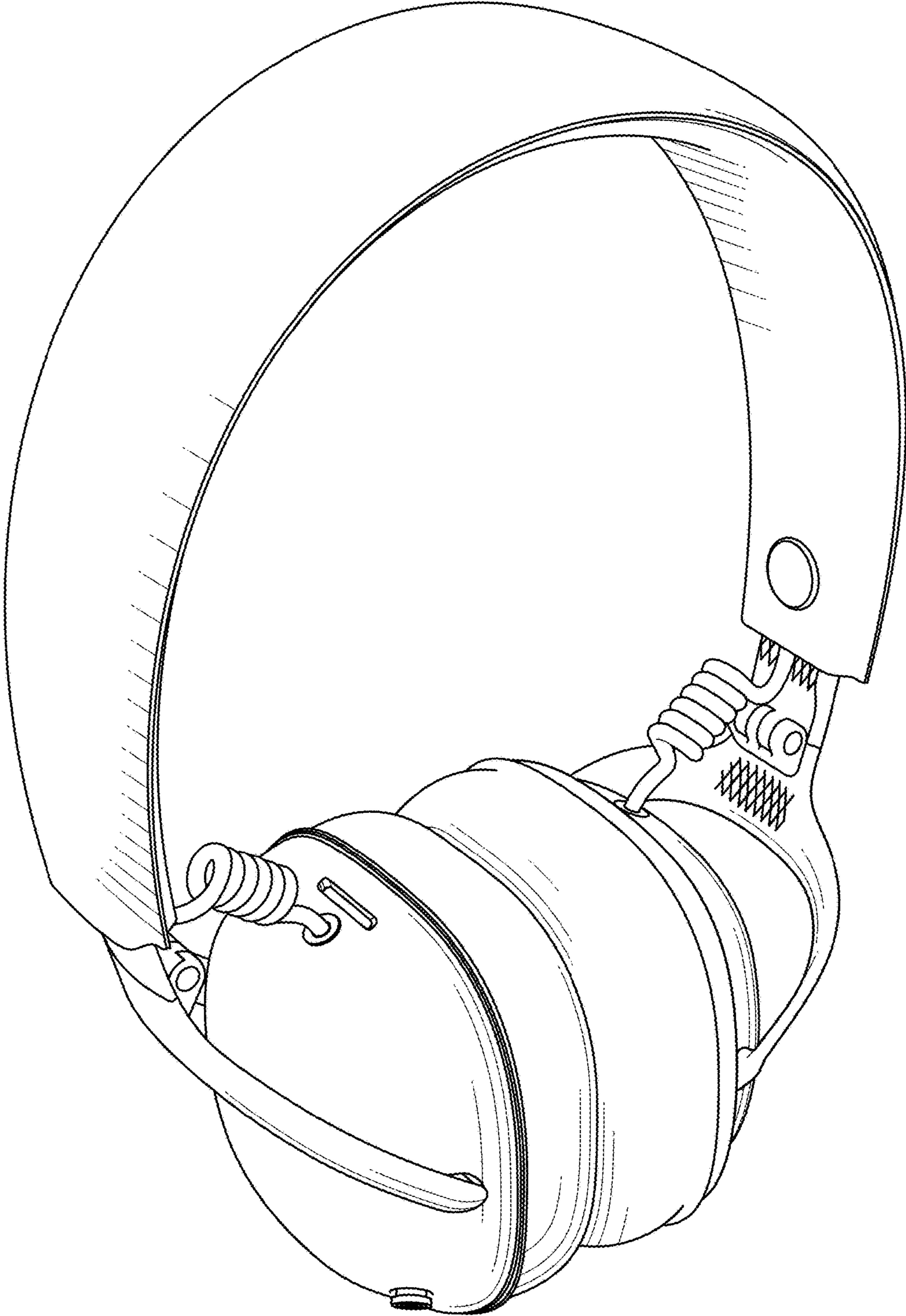


FIG. 1

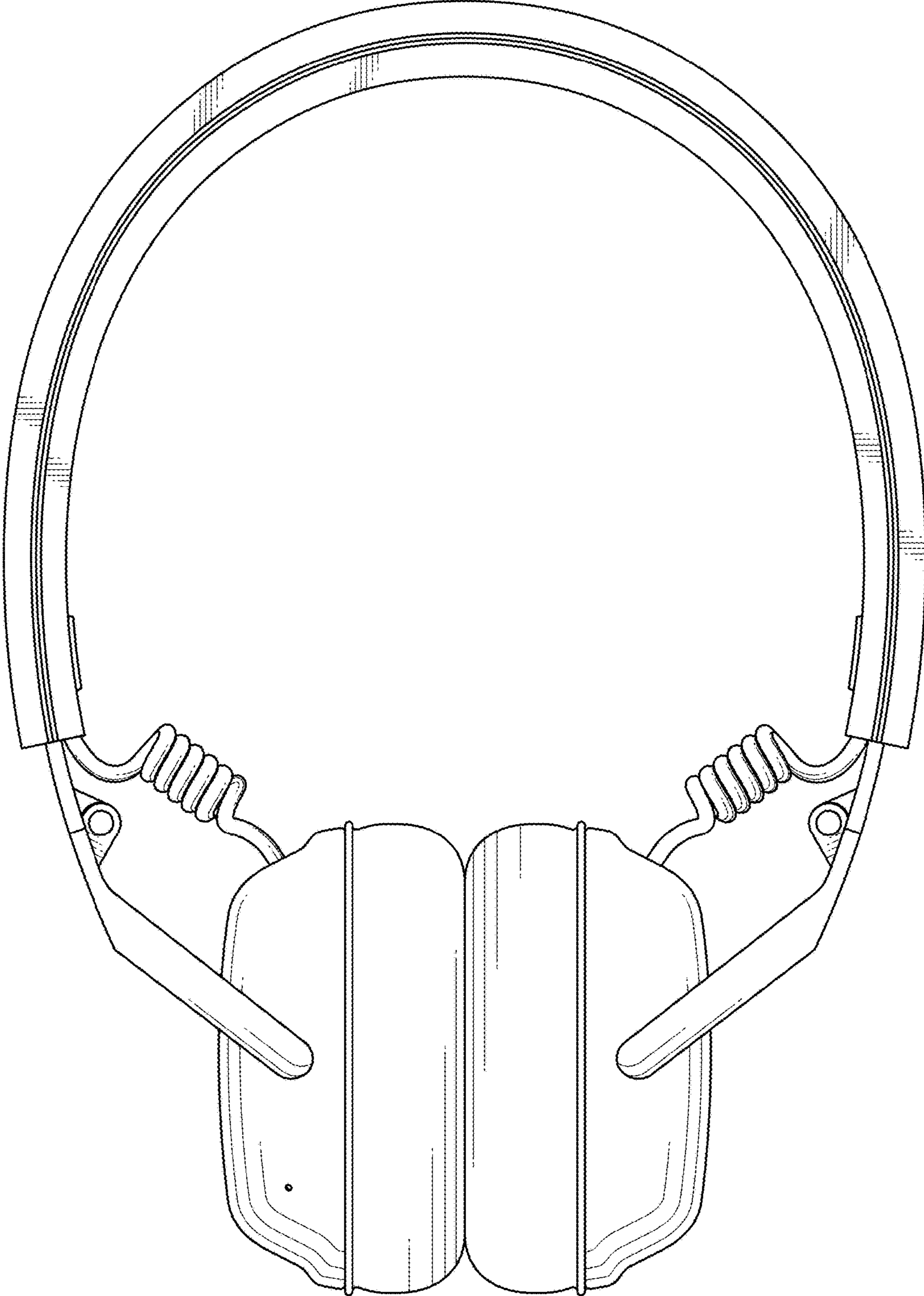


FIG. 2

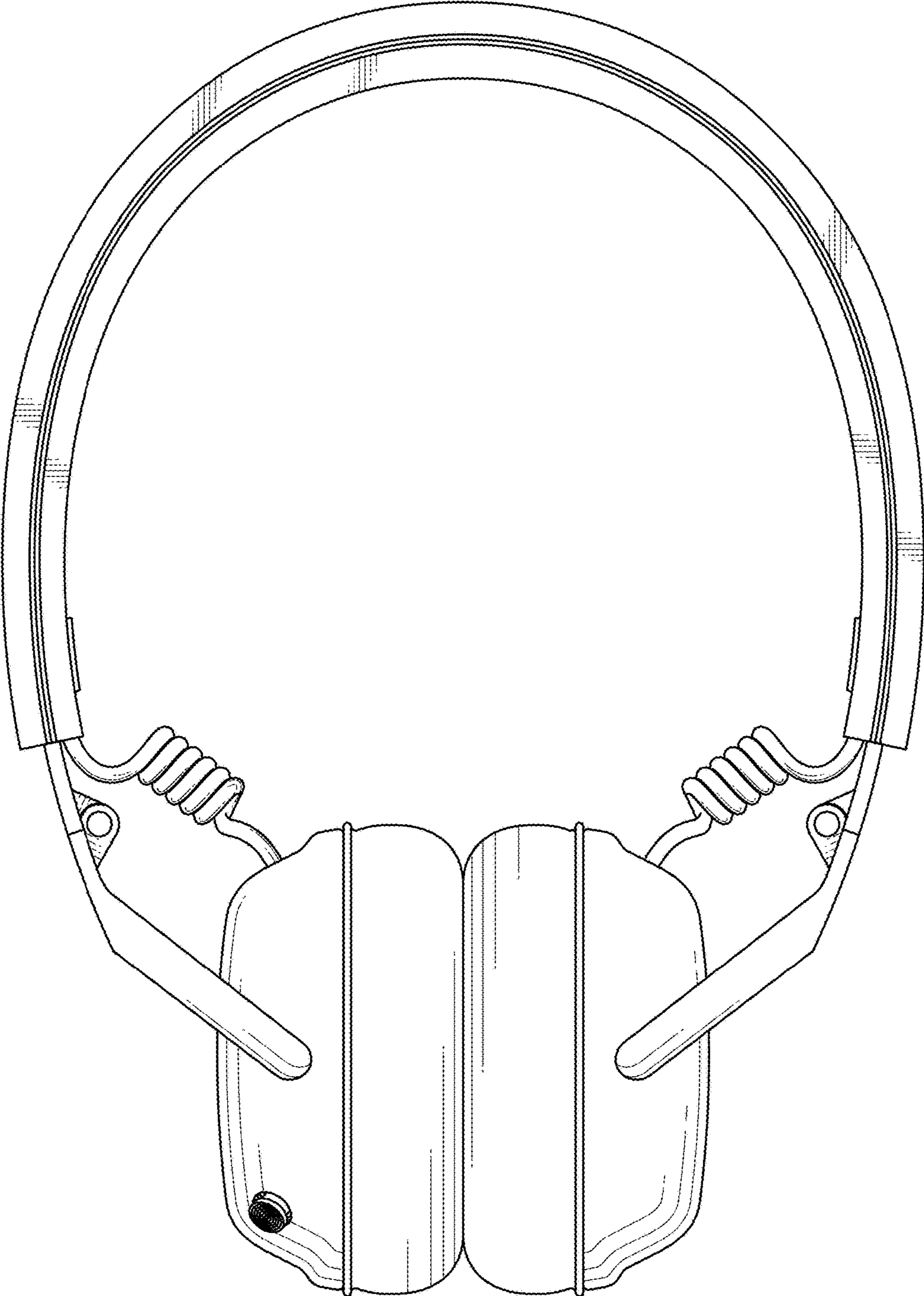


FIG. 3

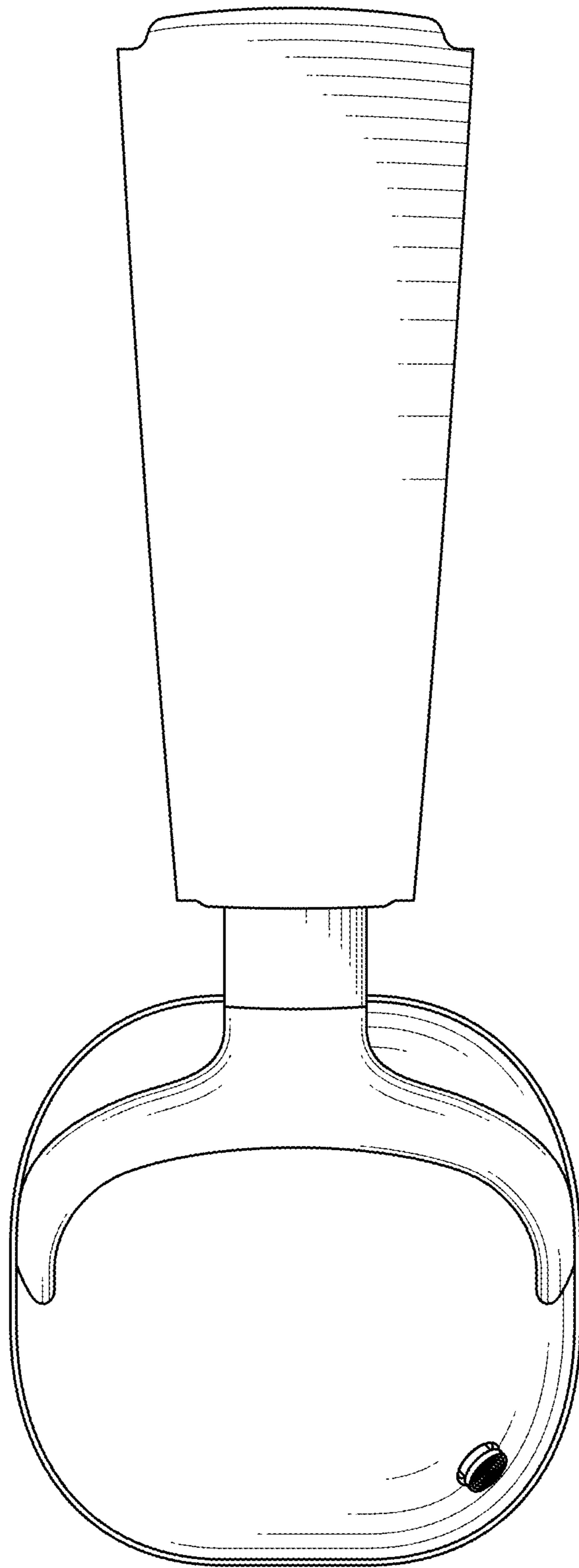


FIG. 4

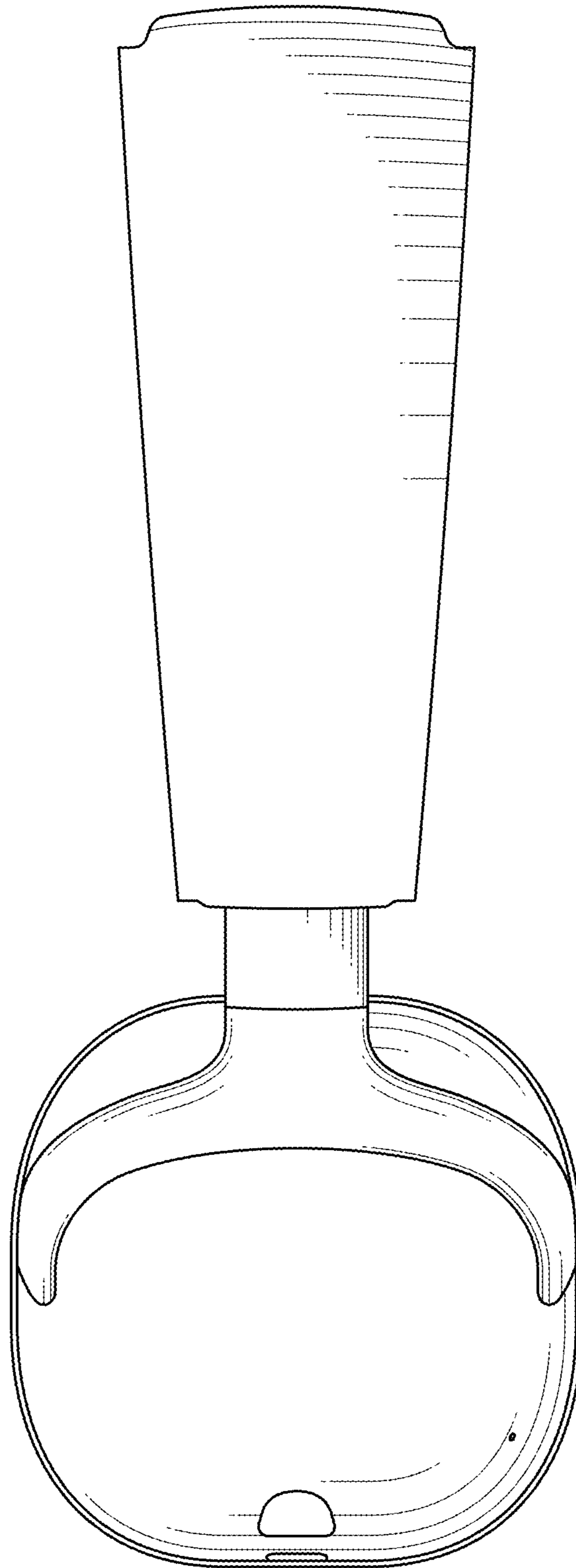


FIG. 5

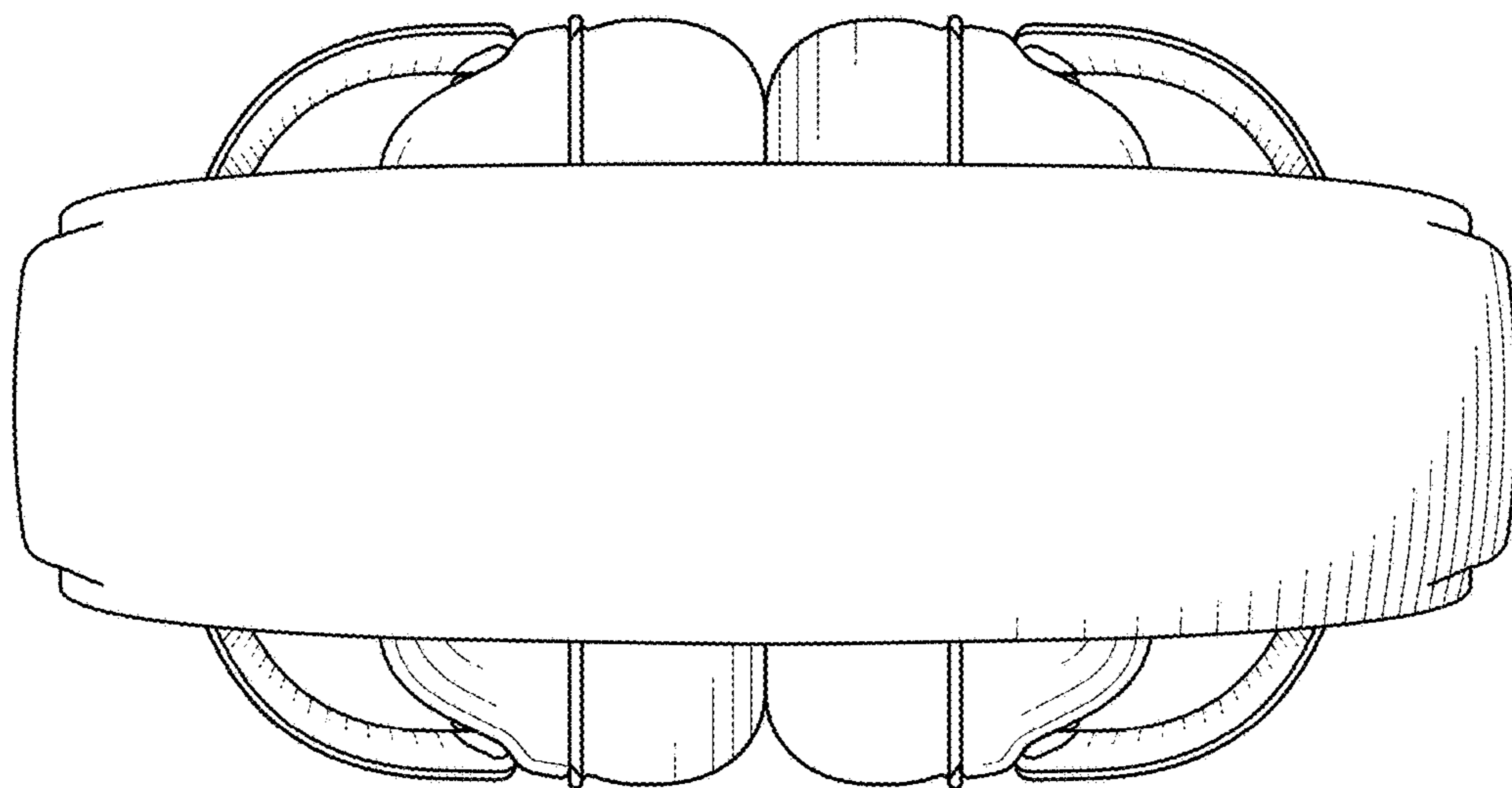


FIG. 6

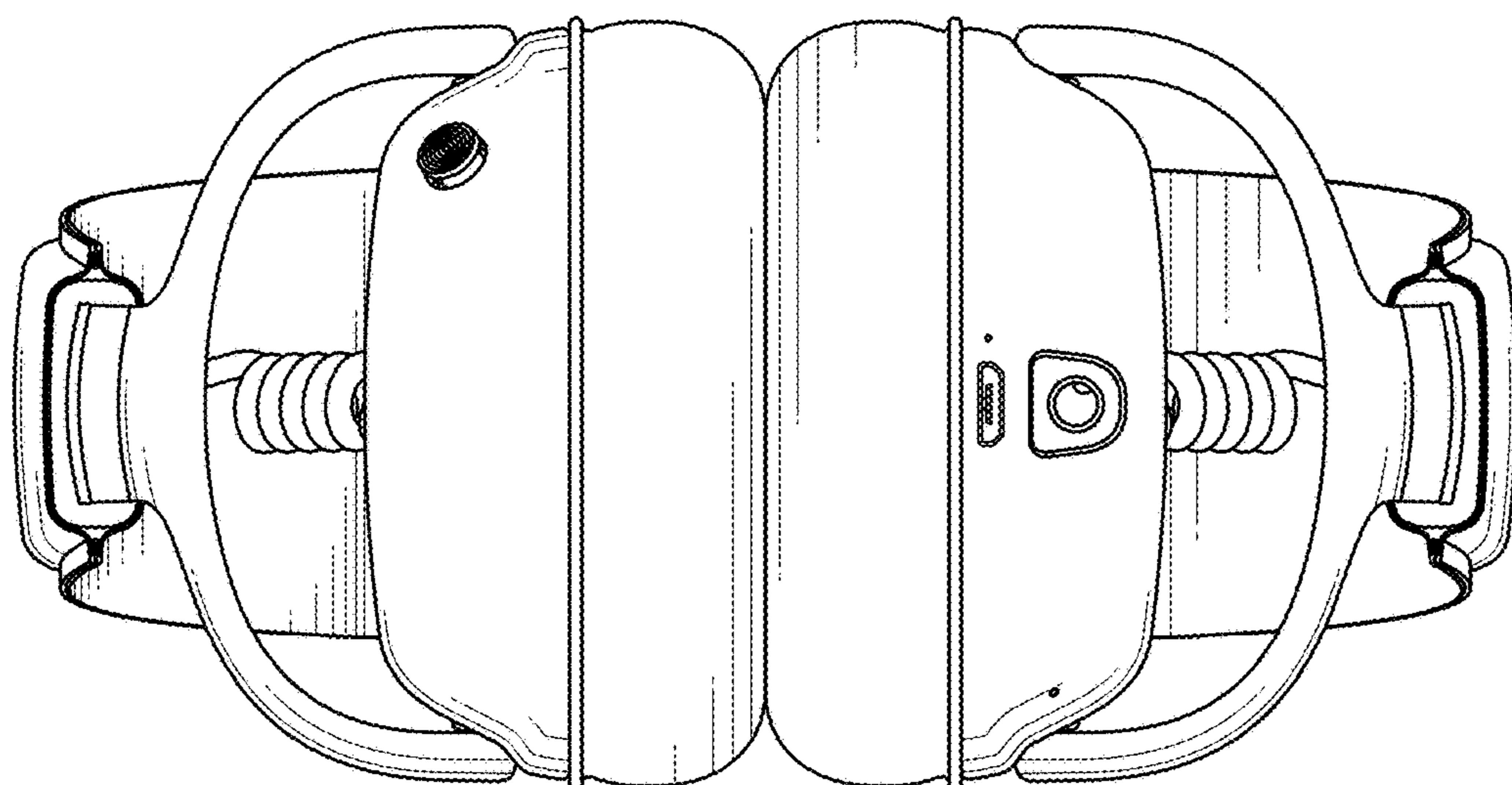


FIG. 7