



US00D814438S

(12) **United States Design Patent** (10) **Patent No.:** **US D814,438 S**  
**Brunner et al.** (45) **Date of Patent:** **\*\* \*Apr. 3, 2018**

- (54) **HEADSET**
- (71) Applicant: **Apple Inc.**, Cupertino, CA (US)
- (72) Inventors: **Robert D. Brunner**, San Francisco, CA (US); **Christopher Kuh**, San Francisco, CA (US)
- (73) Assignee: **Apple Inc.**, Cupertino, CA (US)
- (\*) Notice: This patent is subject to a terminal disclaimer.
- (\*\*) Term: **15 Years**
- (21) Appl. No.: **29/574,209**
- (22) Filed: **Aug. 12, 2016**

**Related U.S. Application Data**

- (60) Continuation of application No. 29/504,827, filed on Oct. 9, 2014, now Pat. No. Des. 764,435, which is a continuation of application No. 29/464,539, filed on Aug. 18, 2013, now Pat. No. Des. 716,760, which is a division of application No. 29/426,082, filed on Jun. 29, 2012, now Pat. No. Des. 691,112, which is a continuation-in-part of application No. 29/410,585, filed on Jan. 9, 2012, now Pat. No. Des. 698,749.
- (51) **LOC (11) Cl.** ..... **14-01**
- (52) **U.S. Cl.**  
USPC ..... **D14/205**
- (58) **Field of Classification Search**  
USPC ..... D14/205, 188, 192, 372; D29/112; 2/209; 181/129, 130, 135; 379/430, 431; 381/380, 381, 370, 379, 378, 377, 375, 381/376, 371, 187, 74; 455/90.3, 575.1, 455/569.1  
CPC .... H04R 1/1066; H04R 1/1016; H04R 5/033; H04R 5/0335; H04R 1/10; H04R 25/00; H04R 25/02  
See application file for complete search history.

- (56) **References Cited**
- U.S. PATENT DOCUMENTS
- 1,066,511 A 7/1913 Markoff
- 1,367,746 A \* 2/1921 Kent ..... H04R 1/1008  
181/129
- 2,149,341 A 3/1939 Harrison
- 3,104,398 A 9/1963 Palmaer
- (Continued)

**FOREIGN PATENT DOCUMENTS**

- GB 2072035 B 2/1984
- JP D1318386 5/1986
- (Continued)

**OTHER PUBLICATIONS**

U.S. Appl. No. 13/925,613, filed Jun. 24, 2013; Brunner et al.  
(Continued)

*Primary Examiner* — Paula Allen Greene  
(74) *Attorney, Agent, or Firm* — Sterne, Kessler, Goldstein & Fox P.L.L.C.

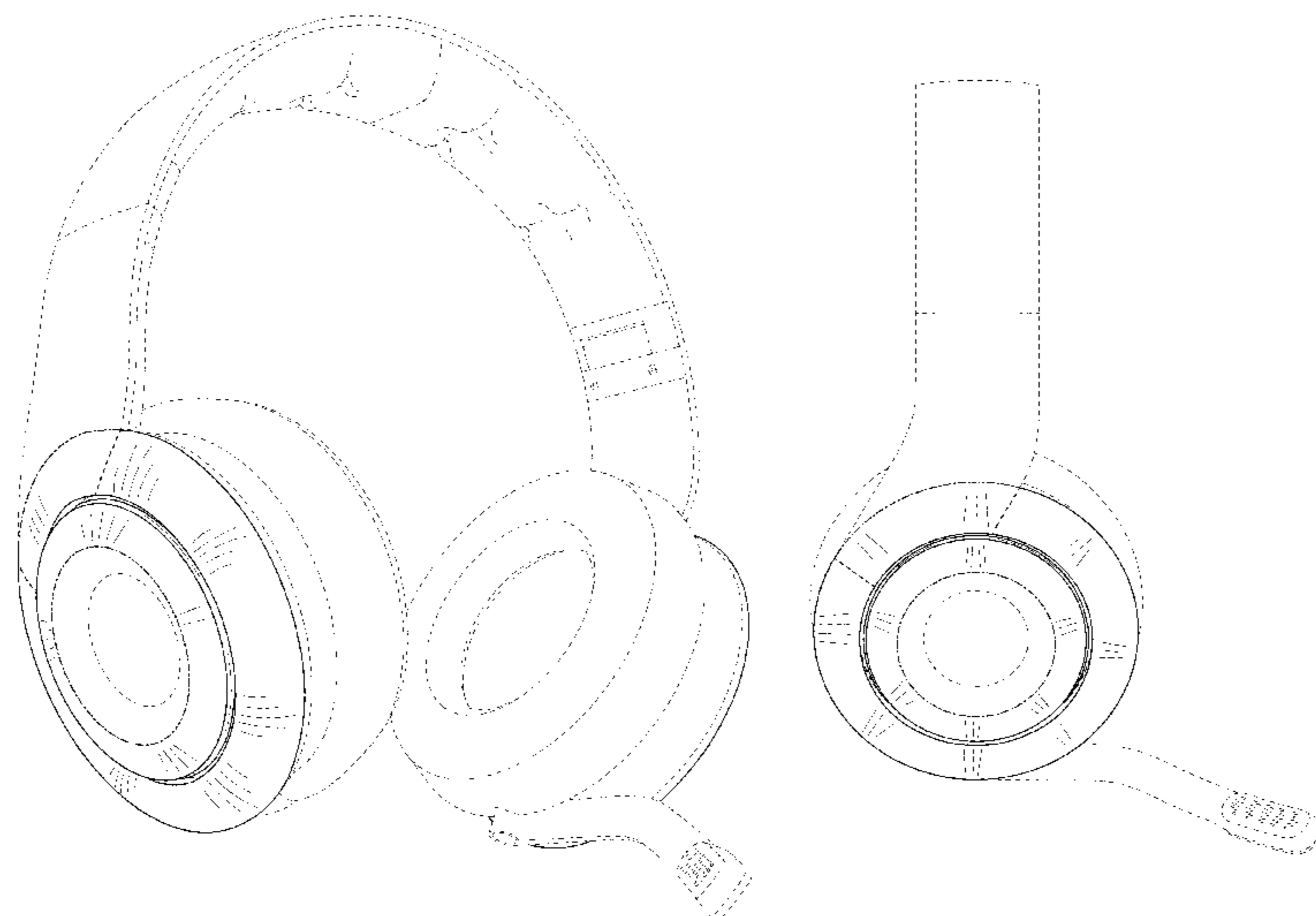
(57) **CLAIM**

The ornamental design for a headset, as shown and described.

**DESCRIPTION**

FIG. 1 is a front perspective view of a headset showing the claimed design;  
FIG. 2 is a rear view thereof;  
FIG. 3 is a bottom view thereof;  
FIG. 4 is a front view thereof;  
FIG. 5 is a left side view thereof; and,  
FIG. 6 is a right side view thereof.  
The dashed broken lines in the figures show portions of the headset that form no part of the claimed design.  
The dot-dash broken lines in the figures show unclaimed boundaries of claimed portions of the design.

**1 Claim, 6 Drawing Sheets**



(56)

References Cited

U.S. PATENT DOCUMENTS						
				7,356,362	B2 *	4/2008 Chang ..... H04R 1/1033 379/430
D203,677	S	2/1966 Spillman et al.		D582,890	S	12/2008 Koza
D229,833	S *	1/1974 Becker ..... D14/205		D584,715	S	1/2009 Brennwald
D244,300	S	5/1977 Besasie		D585,870	S	2/2009 Zheng
4,173,715	A	11/1979 Gosman		D585,871	S	2/2009 Lee
D254,183	S	2/1980 Doodson		D585,872	S	2/2009 Lee
D254,876	S	5/1980 Reitenga et al.		D588,098	S	3/2009 Kurihara
D255,352	S *	6/1980 Besasie ..... D14/205		D588,100	S	3/2009 Densho
4,385,209	A *	5/1983 Greason ..... H04M 1/03 307/400		D591,263	S	4/2009 Shimizu
4,404,445	A *	9/1983 Baran ..... H01H 3/022 200/314		D592,182	S	5/2009 Sanguinetti
4,609,786	A	9/1986 Omoto et al.		D592,640	S	5/2009 Tkachuk
D286,874	S *	11/1986 Bertagna ..... D14/205		D593,995	S	6/2009 Shimizu
4,634,816	A	1/1987 O'Malley et al.		D600,674	S	9/2009 Brennwald
4,875,233	A	10/1989 Derhaag		D602,906	S	10/2009 Groves et al.
D313,092	S	12/1990 Nilsson		D603,370	S	11/2009 Suzuki
5,018,599	A	5/1991 Dohi et al.		D603,371	S	11/2009 Boateng et al.
5,035,005	A	7/1991 Hung		D616,865	S	6/2010 Marchand et al.
D328,074	S	7/1992 Yamazaki et al.		D617,769	S	6/2010 Birger
D328,461	S	8/1992 Daido et al.		D617,771	S	6/2010 Groves et al.
D338,010	S	8/1993 Yamatogi		7,735,154	B2	6/2010 Gellis et al.
D351,172	S	10/1994 Nakamura et al.		D625,705	S	10/2010 Otori et al.
D358,389	S	5/1995 Isono		D632,668	S	2/2011 Brunner et al.
D374,658	S *	10/1996 Bever ..... D13/171		D633,896	S	3/2011 Kondo et al.
D375,825	S	11/1996 Whidden		D635,959	S	4/2011 Hutchieson
5,812,680	A *	9/1998 Glendon ..... H04R 25/60 381/322		D637,176	S	5/2011 Brunner et al.
D403,128	S	12/1998 Scanlon et al.		D637,998	S	5/2011 Brunner et al.
D420,356	S	2/2000 Suzuki		D637,999	S	5/2011 Brunner et al.
D422,592	S	4/2000 Deguchi		D638,000	S	5/2011 Hoggarth
6,081,604	A	6/2000 Hikichi et al.		D639,776	S	6/2011 Arimoto
D430,140	S	8/2000 Roman		D641,725	S	7/2011 Chong et al.
D435,249	S	12/2000 Yasutomi		D648,330	S	11/2011 Fischer
6,163,615	A	12/2000 Callahan		D652,017	S	1/2012 Groves et al.
6,195,839	B1	3/2001 Patterson et al.		D652,405	S	1/2012 Lee et al.
D457,512	S	5/2002 Yoneda		D652,406	S	1/2012 Lee et al.
6,449,806	B1	9/2002 Engelhard et al.		D654,471	S	2/2012 Fischer
D468,723	S	1/2003 Pham		D654,472	S	2/2012 Fischer
D484,485	S	12/2003 Matsuoka		D657,344	S	4/2012 Brunner et al.
6,654,966	B2 *	12/2003 Rolla ..... H04R 1/1066 2/209		D657,345	S	4/2012 Brunner et al.
D484,868	S	1/2004 Suzuki		D657,776	S	4/2012 Lee et al.
6,678,897	B2	1/2004 Lindgren		D660,823	S	5/2012 Hardi et al.
D491,163	S	6/2004 Green		D660,824	S	5/2012 Hardi et al.
D502,938	S	3/2005 Tokioka		D660,826	S	5/2012 Brunner et al.
D504,414	S	4/2005 Yoshida		D662,490	S	6/2012 McSweyn
D504,883	S	5/2005 Jacobson et al.		D663,716	S	7/2012 Hardi et al.
D512,381	S	12/2005 Sirichai et al.		D673,520	S	1/2013 Tan
D512,417	S *	12/2005 Hirakawa ..... D14/223		D674,767	S	1/2013 Brunner et al.
D512,708	S	12/2005 Harris, Jr. et al.		D677,647	S *	3/2013 Lee ..... D14/205
D512,981	S	12/2005 Jacobson et al.		D677,648	S	3/2013 Lee et al.
D514,086	S	1/2006 Skulley		D683,329	S	5/2013 Hagelin
D517,043	S	3/2006 Jacobson et al.		D689,843	S	9/2013 Lee
D517,528	S	3/2006 Skulley		D691,112	S	10/2013 Brunner et al.
7,072,483	B2	7/2006 Lenhard-Backhaus		D691,579	S	10/2013 Lee et al.
D532,407	S	11/2006 Motoishi		D692,410	S *	10/2013 Brunner ..... H04S 1/005 D14/206
D534,155	S	12/2006 Obata		D696,226	S	12/2013 Brunner et al.
D534,156	S	12/2006 Obata		D698,749	S	2/2014 Brunner
7,172,052	B2 *	2/2007 Lenhard- Backhaus ..... H04R 1/1066 181/129		D704,163	S *	5/2014 Brunner ..... H04R 5/033 D14/205
D539,788	S	4/2007 Thompson		D709,860	S *	7/2014 Brunner ..... H04S 1/005 D14/205
D540,301	S	4/2007 Obata		D716,760	S *	11/2014 Brunner ..... D14/206
D540,303	S	4/2007 Rausch		D732,503	S *	6/2015 Brunner ..... H04S 1/005 D14/205
D540,778	S	4/2007 Thompson et al.		9,084,055	B2	7/2015 Brunner et al.
D541,255	S	4/2007 Taylor et al.		D760,688	S *	7/2016 Brunner ..... H04S 1/005 D14/206
D541,256	S	4/2007 Rausch		D764,435	S *	8/2016 Brunner ..... D14/205
D541,257	S	4/2007 Thursfield		9,445,185	B2 *	9/2016 Brunner ..... H04R 1/1066
D552,077	S	10/2007 Brunner		2003/0182713	A1	10/2003 Rolla
D557,684	S	12/2007 Pundsack et al.		2004/0216946	A1	11/2004 Lenhard-Backhaus
D560,654	S	1/2008 Feng		2005/0053255	A1	3/2005 Harris et al.
D563,382	S	3/2008 Wikel		2005/0226452	A1	10/2005 Amae et al.
D563,995	S	3/2008 Deguchi		2006/0001307	A1	1/2006 Embach
				2006/0062417	A1	3/2006 Tachikawa
				2006/0104471	A1	5/2006 Tsunoda et al.
				2008/0056525	A1	3/2008 Fujiwara et al.
				2009/0220118	A1	9/2009 Meier
				2010/0128884	A1	5/2010 Sapiejewski et al.

(56)

**References Cited**

U.S. PATENT DOCUMENTS

2010/0284558 A1 11/2010 Kimura et al.  
2011/0206216 A1 8/2011 Brunner et al.  
2011/0249856 A1\* 10/2011 Takei ..... H04R 1/1016  
381/380

FOREIGN PATENT DOCUMENTS

JP D1406347 10/1987  
JP D1430542 3/1988  
KR 30-0476152 1/2008  
WO WO-2007/103561 A2 9/2007  
WO WO-2012/094176 A2 7/2012

OTHER PUBLICATIONS

U.S. Appl. No. 29/568,227, filed Jun. 16, 2016; Brunner et al.  
Office Action dated Dec. 10, 2010 for Russian Patent Application  
No. 2010501890.  
Search Report dated Mar. 31, 2011 for Taiwan patent Application  
No. 099303306.  
Search Report and Written Opinion for PCT Application No.  
PCT/US2011/67045 dated Sep. 27, 2012.  
Taiwan Office Action for Taiwan Application No. 101301117 dated  
Aug. 26, 2013.  
Taiwan Office Action for Taiwan Application No. 101303990 dated  
Aug. 26, 2013.  
Taiwan Office Action for Taiwan Application No. 102302000 dated  
Aug. 26, 2013.

\* cited by examiner

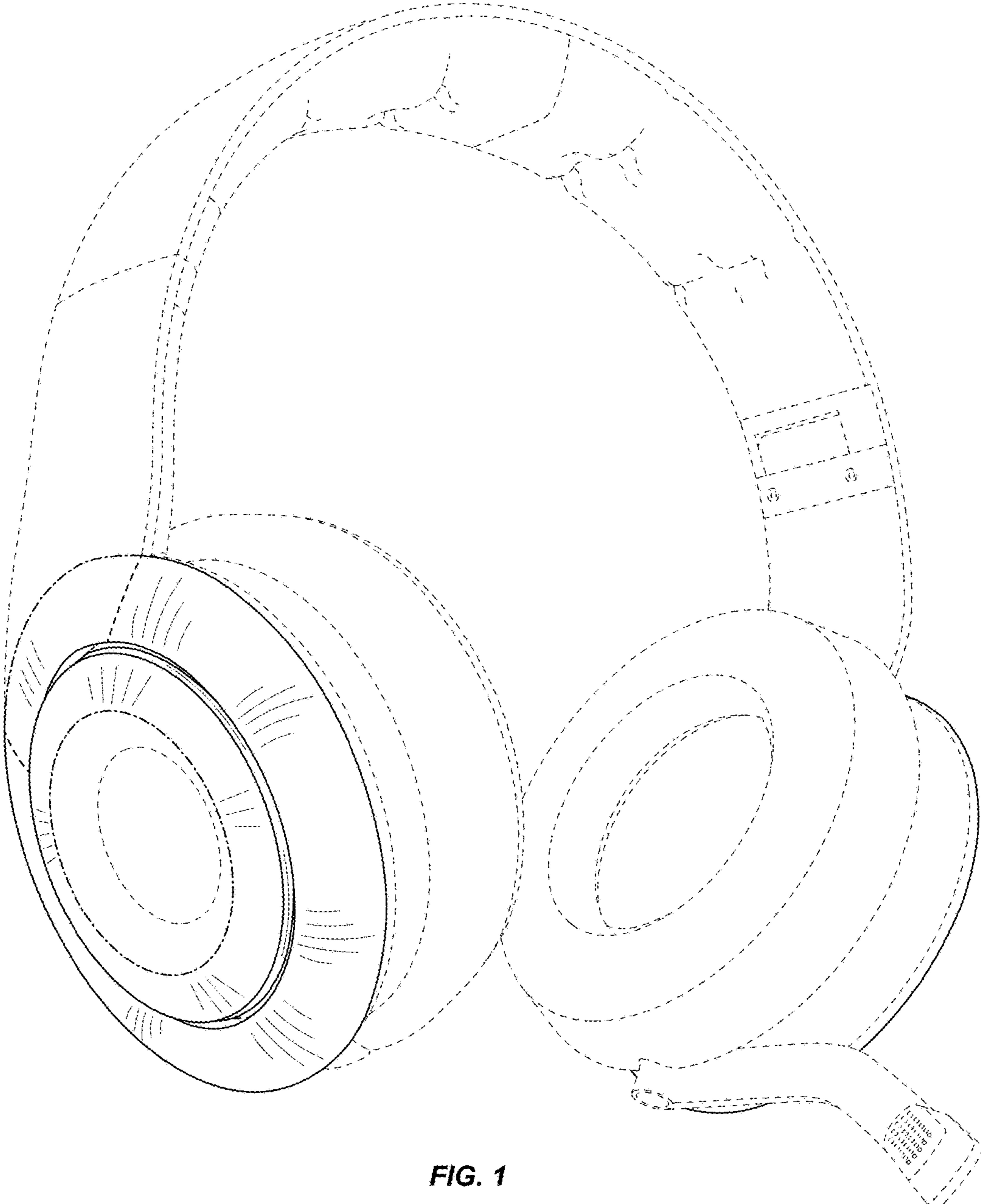


FIG. 1



FIG. 2

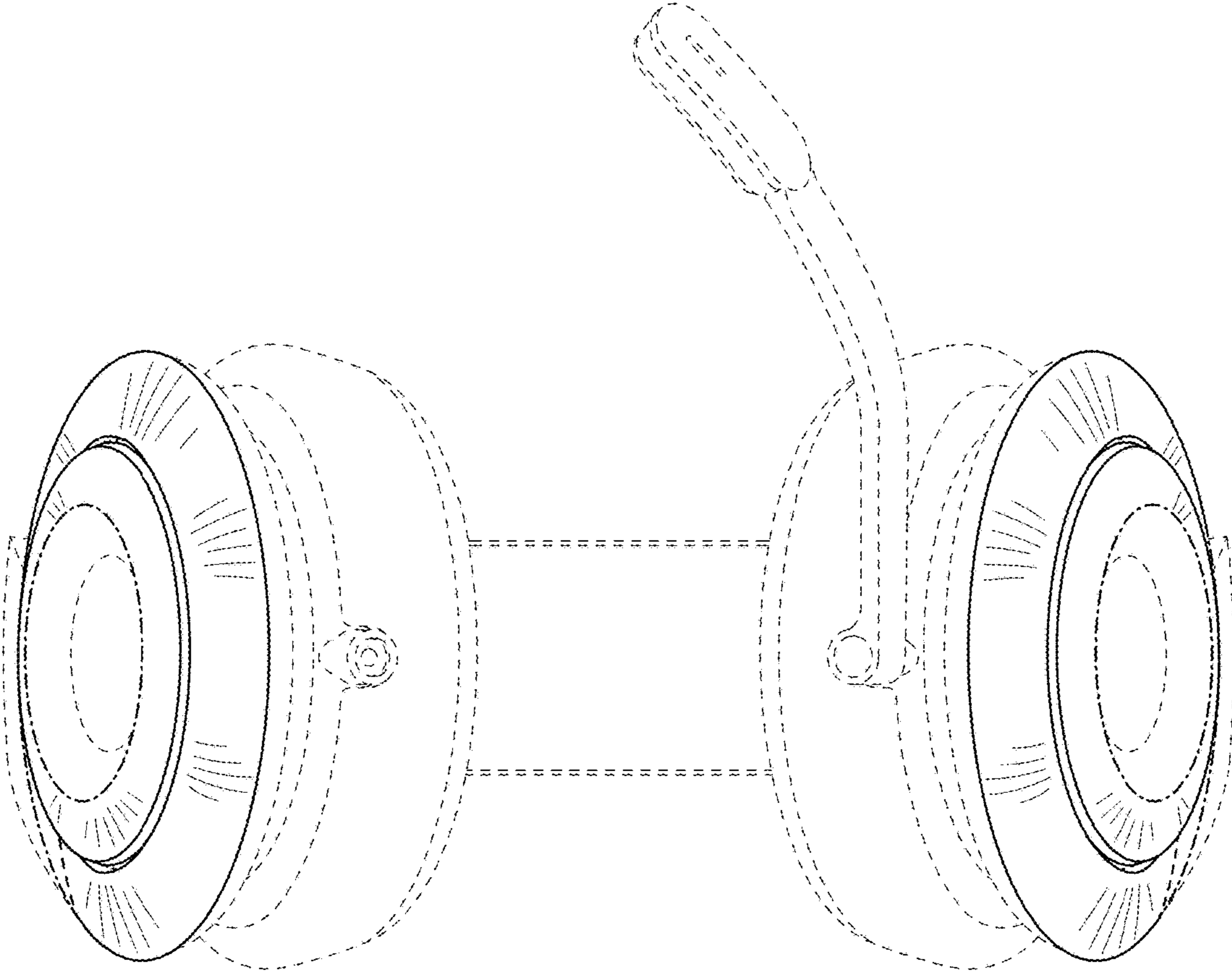


FIG. 3

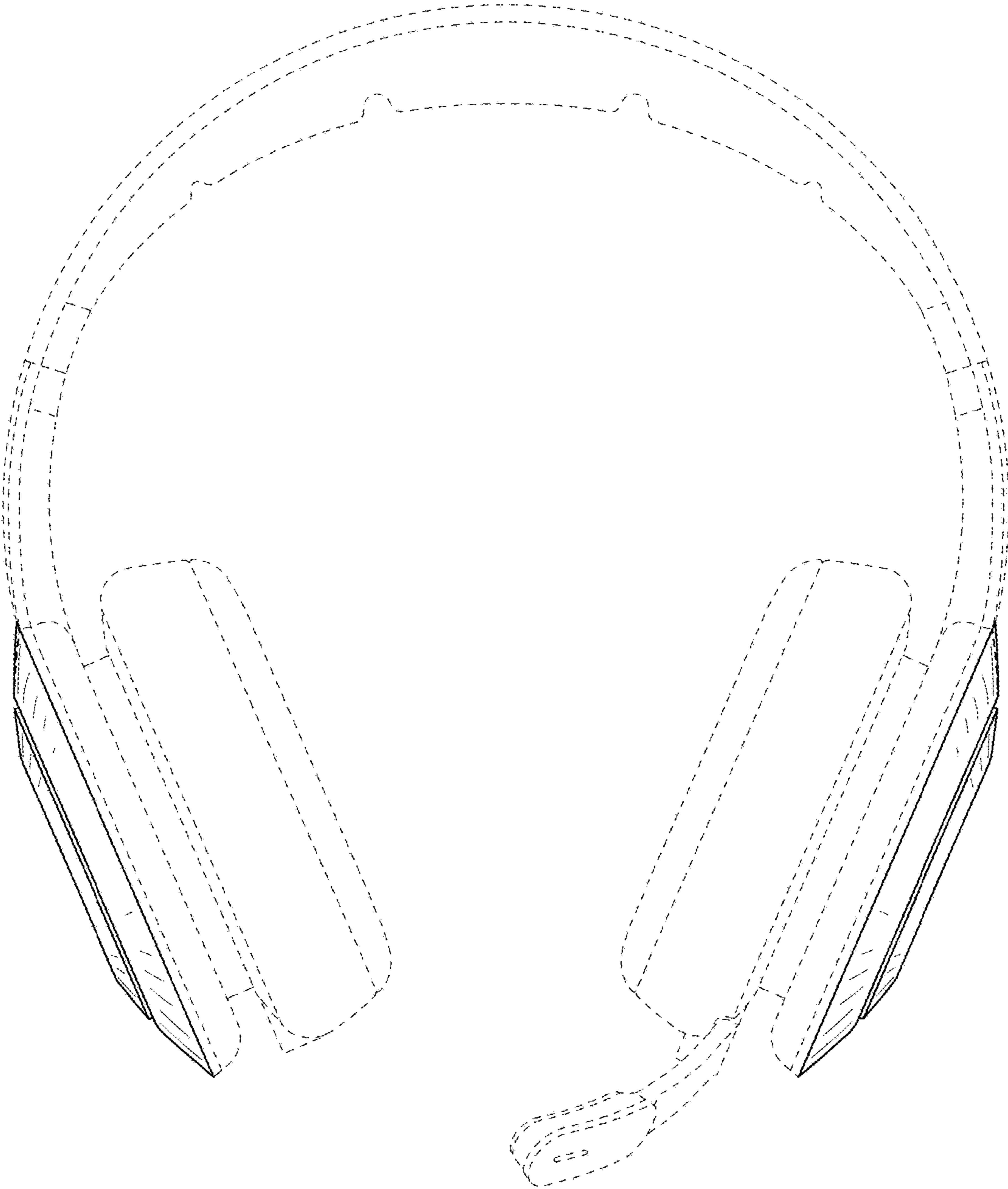
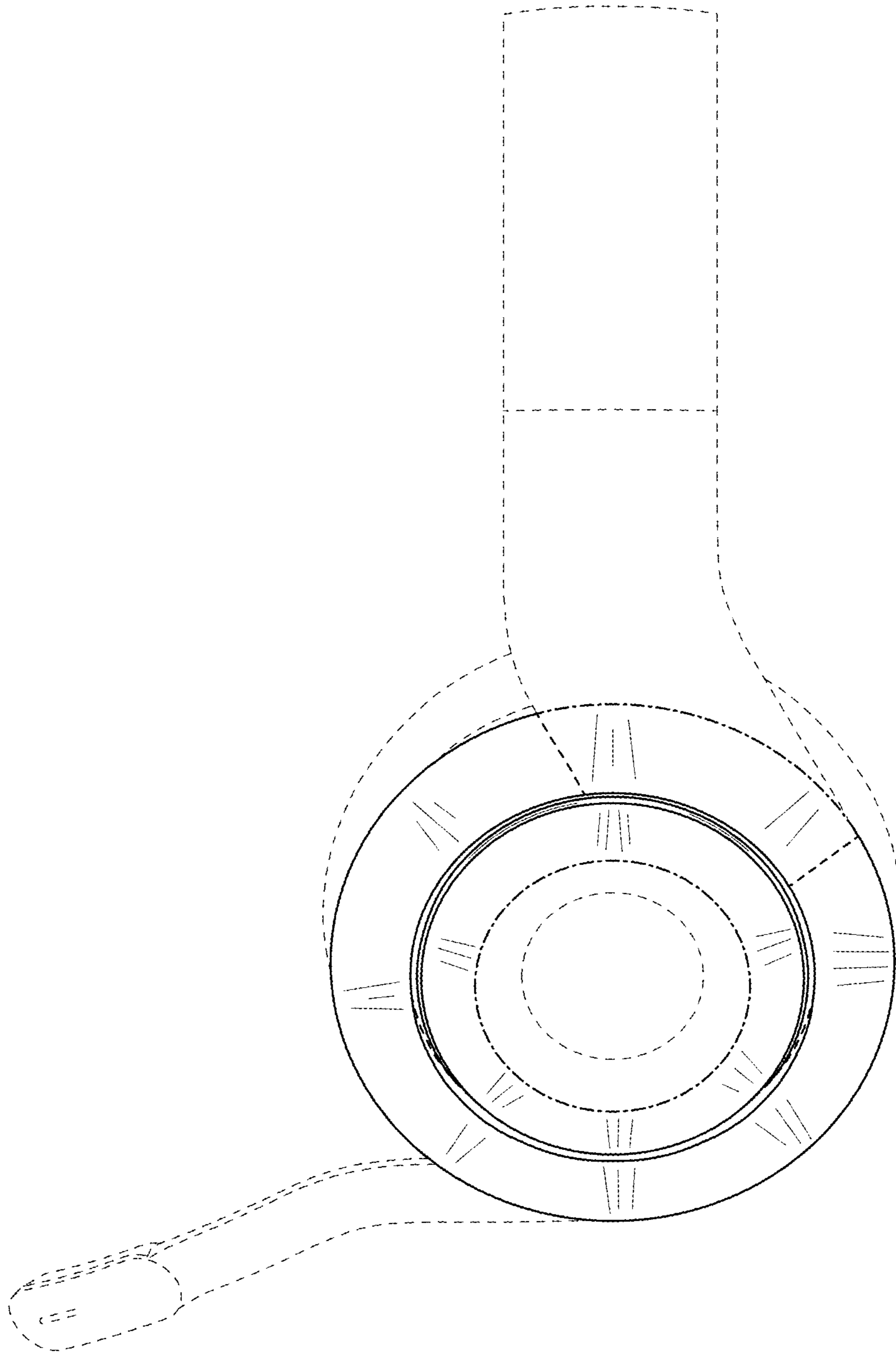


FIG. 4



**FIG. 5**



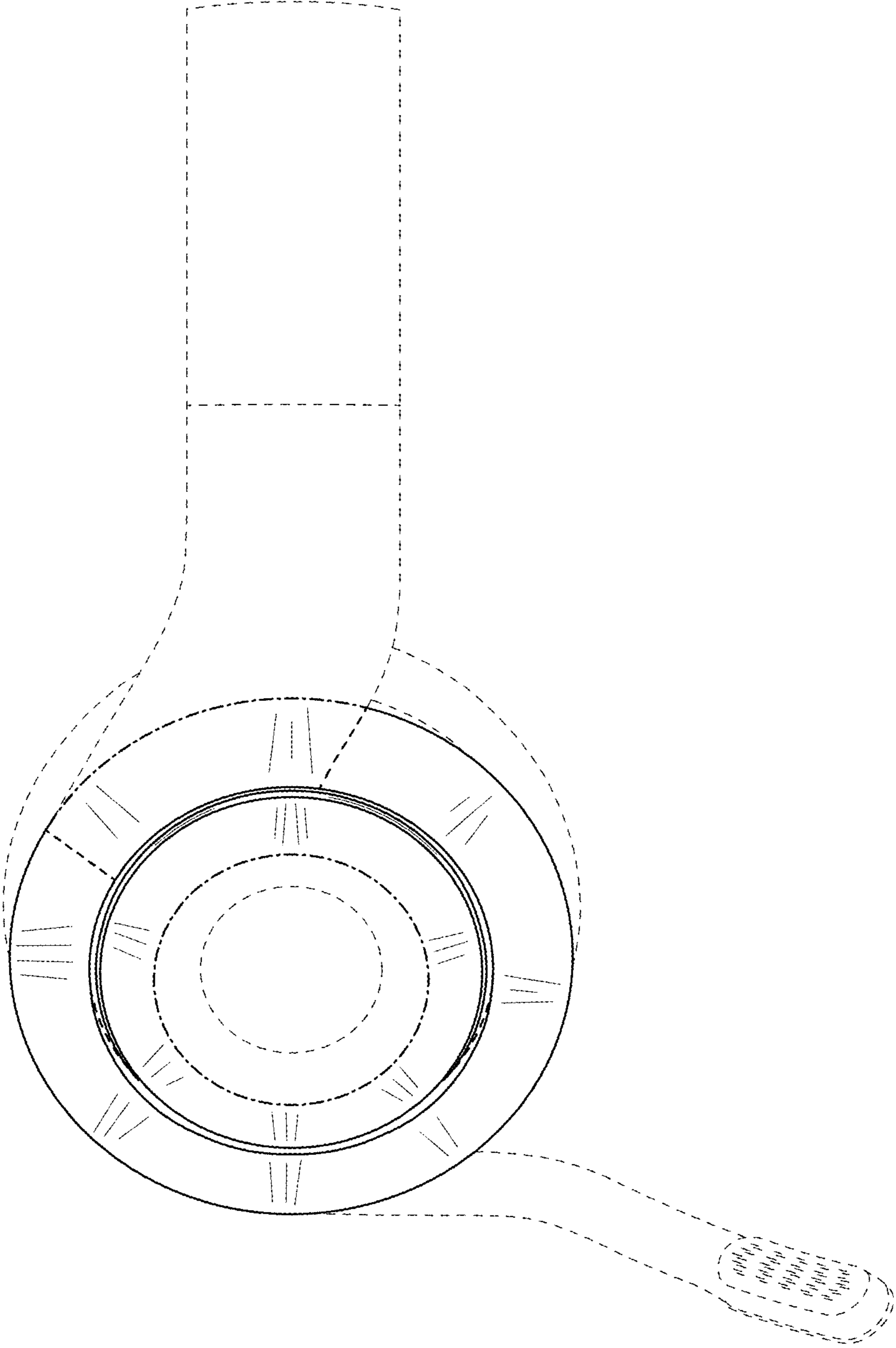


FIG. 6