



US00D814437S

(12) **United States Design Patent**
HonRDI

(10) **Patent No.:** **US D814,437 S**

(45) **Date of Patent:** **** Apr. 3, 2018**

(54) **AUDIO PLAYER**

(71) Applicant: **Thomas Gessler**, Berlin (DE)

(72) Inventor: **Hartmut Esslinger HonRDI**, Los Gatos, CA (US)

(**) Term: **15 Years**

(21) Appl. No.: **35/500,491**

(22) Filed: **Sep. 25, 2015**

(80) **Hague Agreement Data**

Int. Filing Date: **Sep. 25, 2015**

Int. Reg. No.: **DM/088852**

Int. Reg. Date: **Sep. 25, 2015**

Int. Reg. Pub. Date: **Jan. 15, 2016**

(51) **LOC (11) Cl.** **14-01**

(52) **U.S. Cl.**
USPC **D14/168**

(58) **Field of Classification Search**

USPC D25/167, 168, 170–172, 175, 180, 183,
D25/184, 188, 192, 194–197, 199–204,
D25/207, 209.1, 210–216, 219, 221, 222,
D25/224, 261, 262, 496

CPC H04M 1/03; H04M 1/035; H04R 1/02;
H04R 1/06; H04R 1/021; H04R 1/025;
H04R 1/026; H04R 1/105; H04R 1/323;
H04R 1/345; H04R 1/403; H04R 1/2803;
H04R 1/2834; H04R 5/02; H04R 7/20;
H04R 9/06; H04R 9/025; H04R
2201/021; H04R 2400/07; H04R 2499/11;
H04R 2499/13; H04R 2499/15; H04N
5/642; H04N 21/4852; H04S 3/00; H04S
7/30

See application file for complete search history.

(56) **References Cited**

U.S. PATENT DOCUMENTS

D420,353 S * 2/2000 Amai D14/188
D421,011 S * 2/2000 Natori D14/168

D429,233 S * 8/2000 Komiyama D14/167
D433,011 S * 10/2000 O'Donnell D14/202
D454,552 S * 3/2002 Nakane D14/168
D454,855 S * 3/2002 Nakane D14/168
D491,915 S * 6/2004 Warden D14/203
D496,922 S * 10/2004 Kimura D14/500
D512,706 S * 12/2005 Nakane D14/168
D518,814 S * 4/2006 Shim D14/168
D519,102 S * 4/2006 Liu D14/203
D560,203 S * 1/2008 Williamson D14/168
D583,798 S * 12/2008 Iijima D14/168
D615,555 S * 5/2010 Ho D14/203.1
D616,410 S * 5/2010 Sonoda D14/168
D627,354 S * 11/2010 Guinchard D14/203
D628,981 S * 12/2010 Mazur D14/203
8,315,143 B2 * 11/2012 Frederick G11B 3/64
369/264
D722,995 S * 2/2015 Moreau D14/203
D730,942 S * 6/2015 Wong D14/203.1
D765,620 S * 9/2016 Kitamura D14/217
2003/0029305 A1 * 2/2003 Kent G10H 1/0066
84/645
2003/0063066 A1 * 4/2003 Thomas Brown H04H 60/04
345/156

* cited by examiner

Primary Examiner — Darlington Ly

(57) **CLAIM**

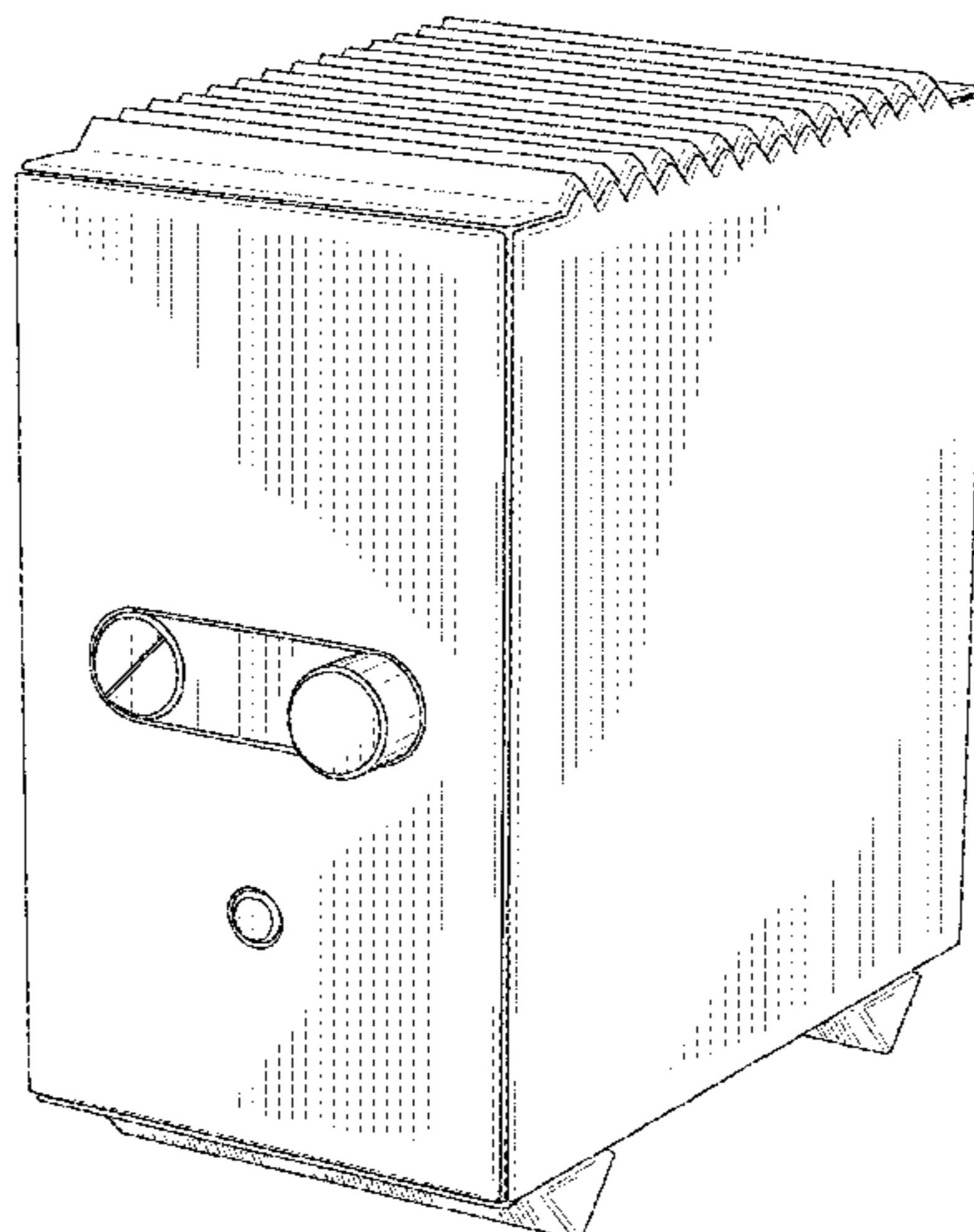
The ornamental design for an audio player, as shown and described.

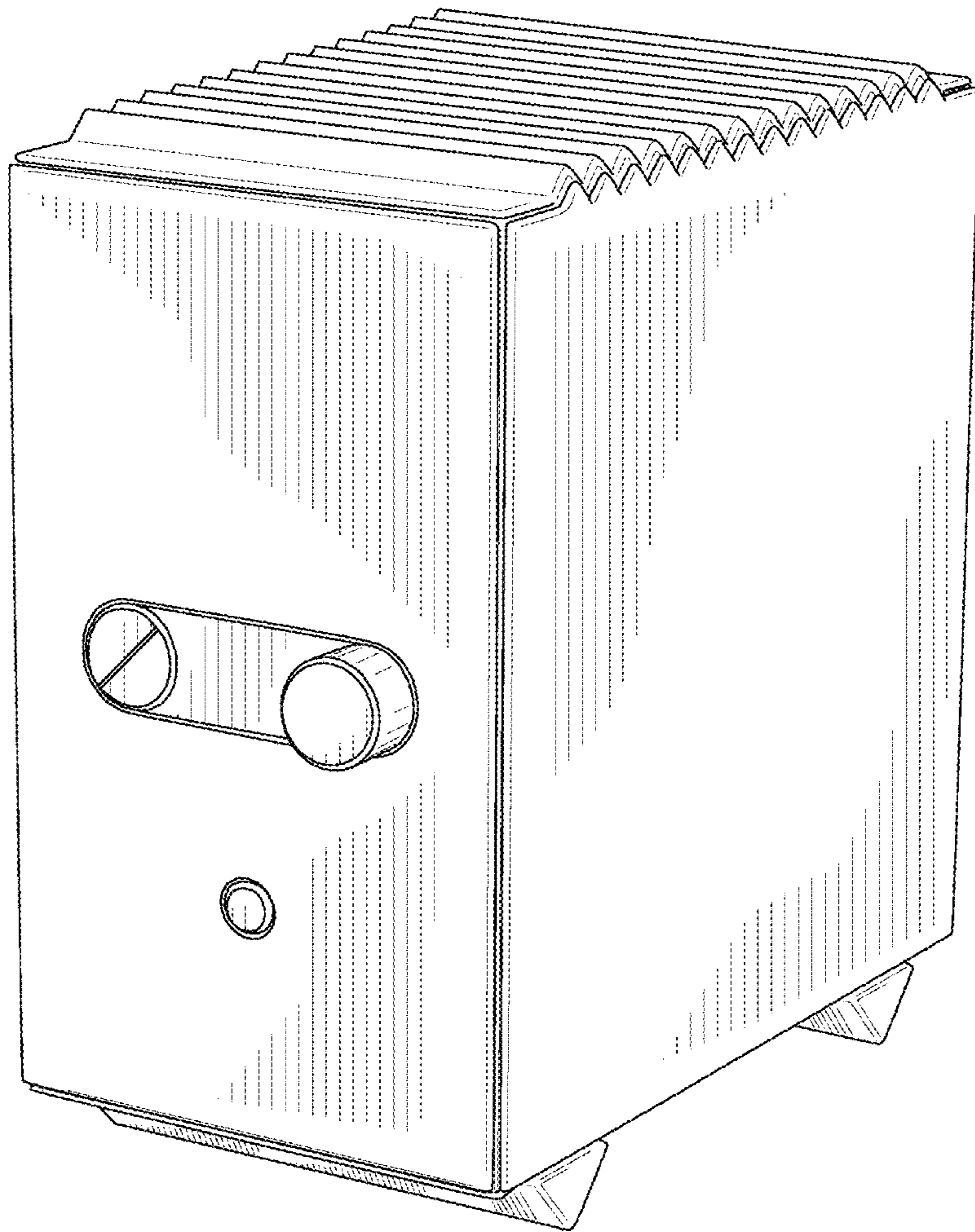
DESCRIPTION

1. Audio player **1.1** is a top, front and right side perspective view of an AUDIO PLAYER showing my new design; **1.2** is a front elevation view thereof; **1.3** is a right side elevation view thereof; **1.4** is a top plan view thereof; **1.5** is a bottom plan view thereof; **1.6** is a partial and enlarged bottom perspective view thereof; and **1.7** is a partial and enlarged top perspective view thereof.

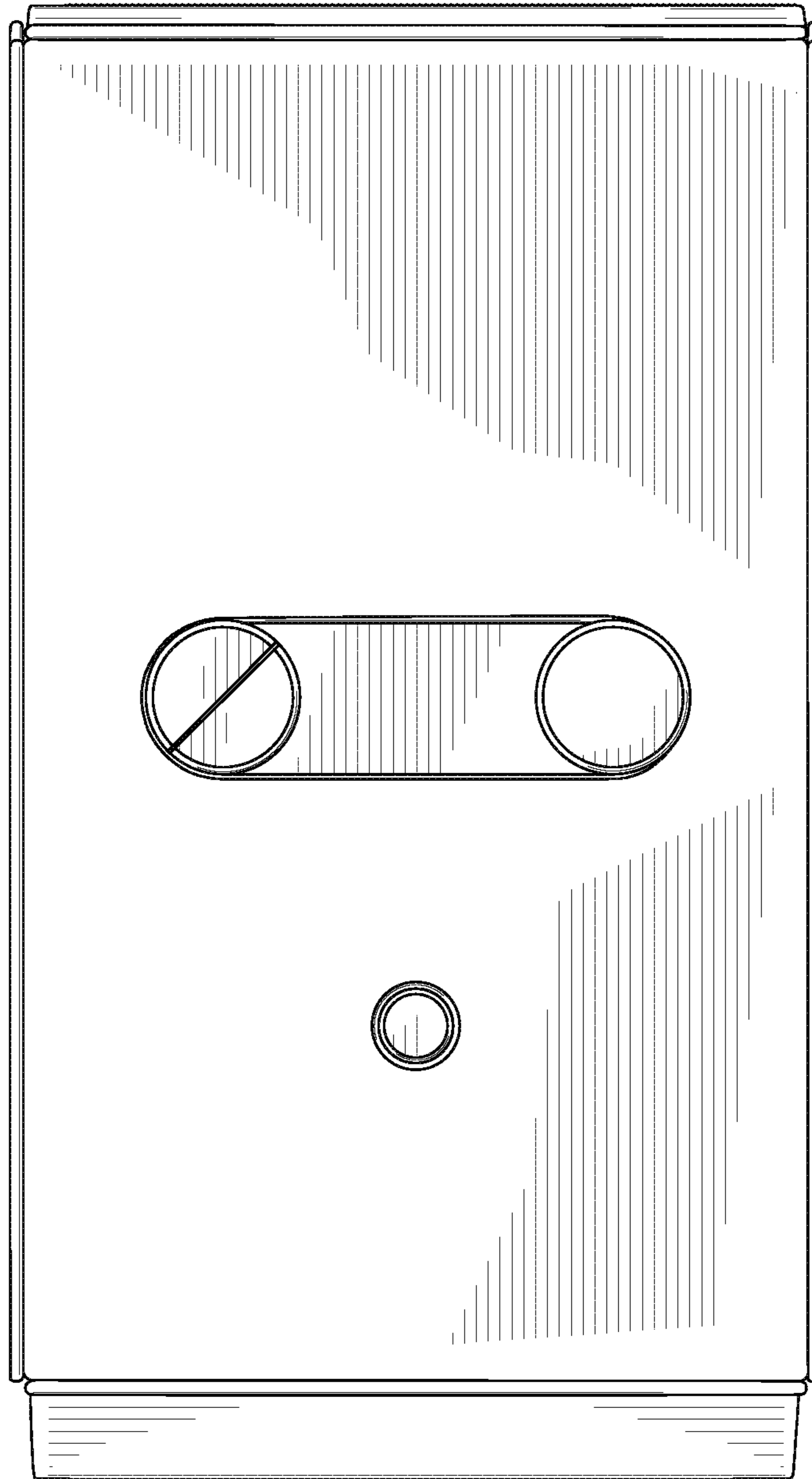
The broken lines in reproductions **1.6** and **1.7** represent a cutaway graphical symbol and do not form part of the claimed design.

1 Claim, 6 Drawing Sheets

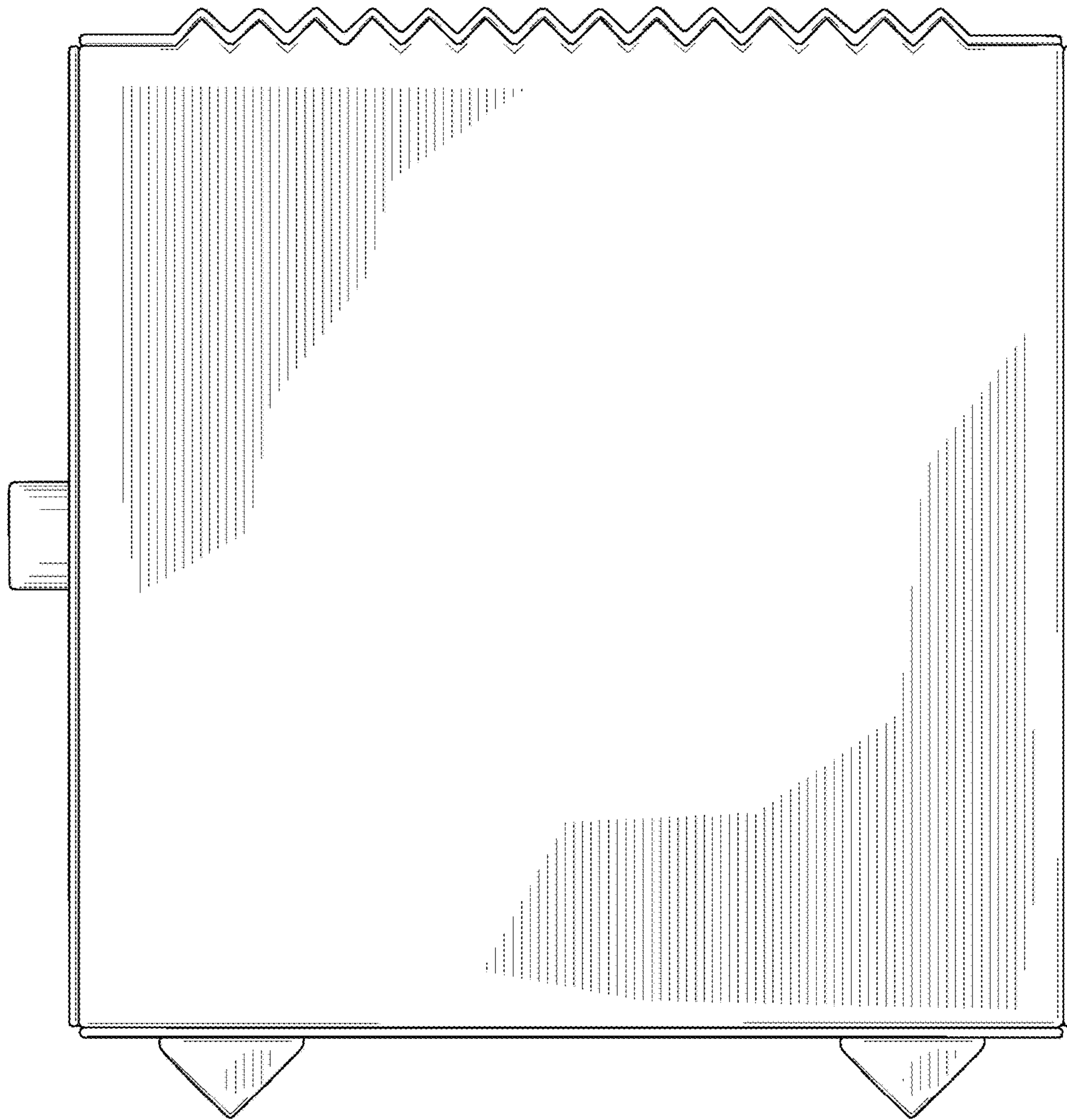




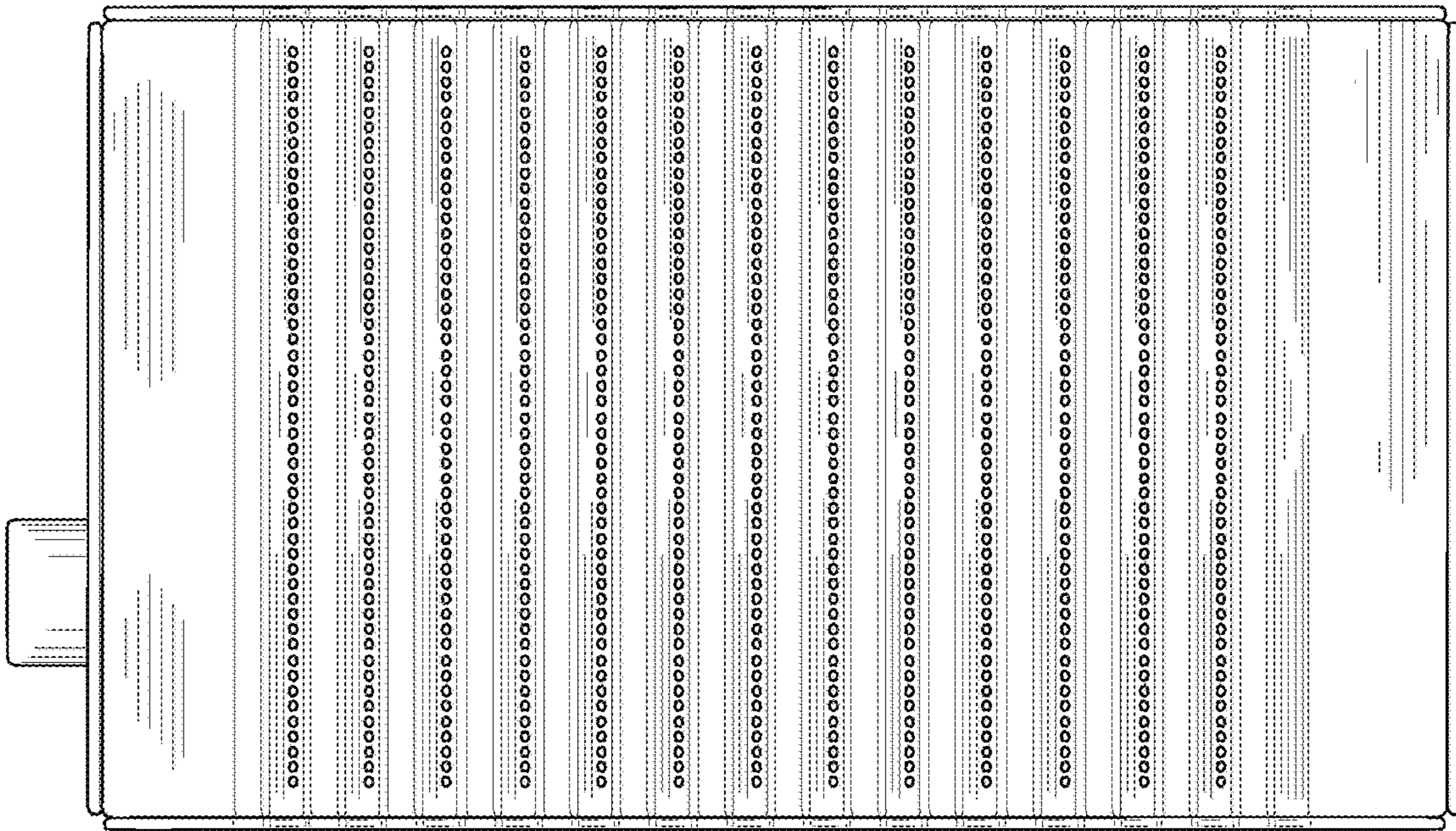
1.1



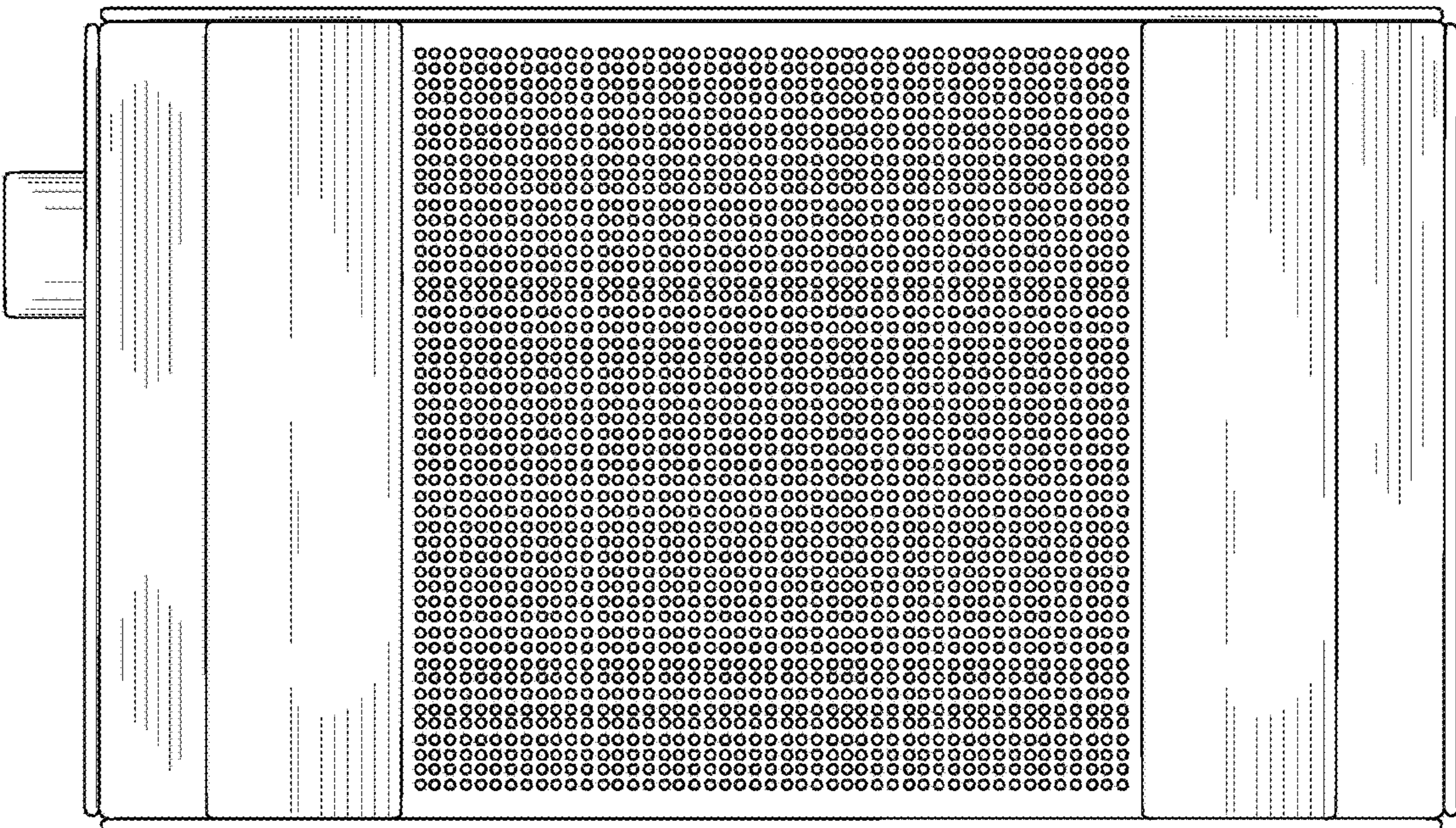
1.2



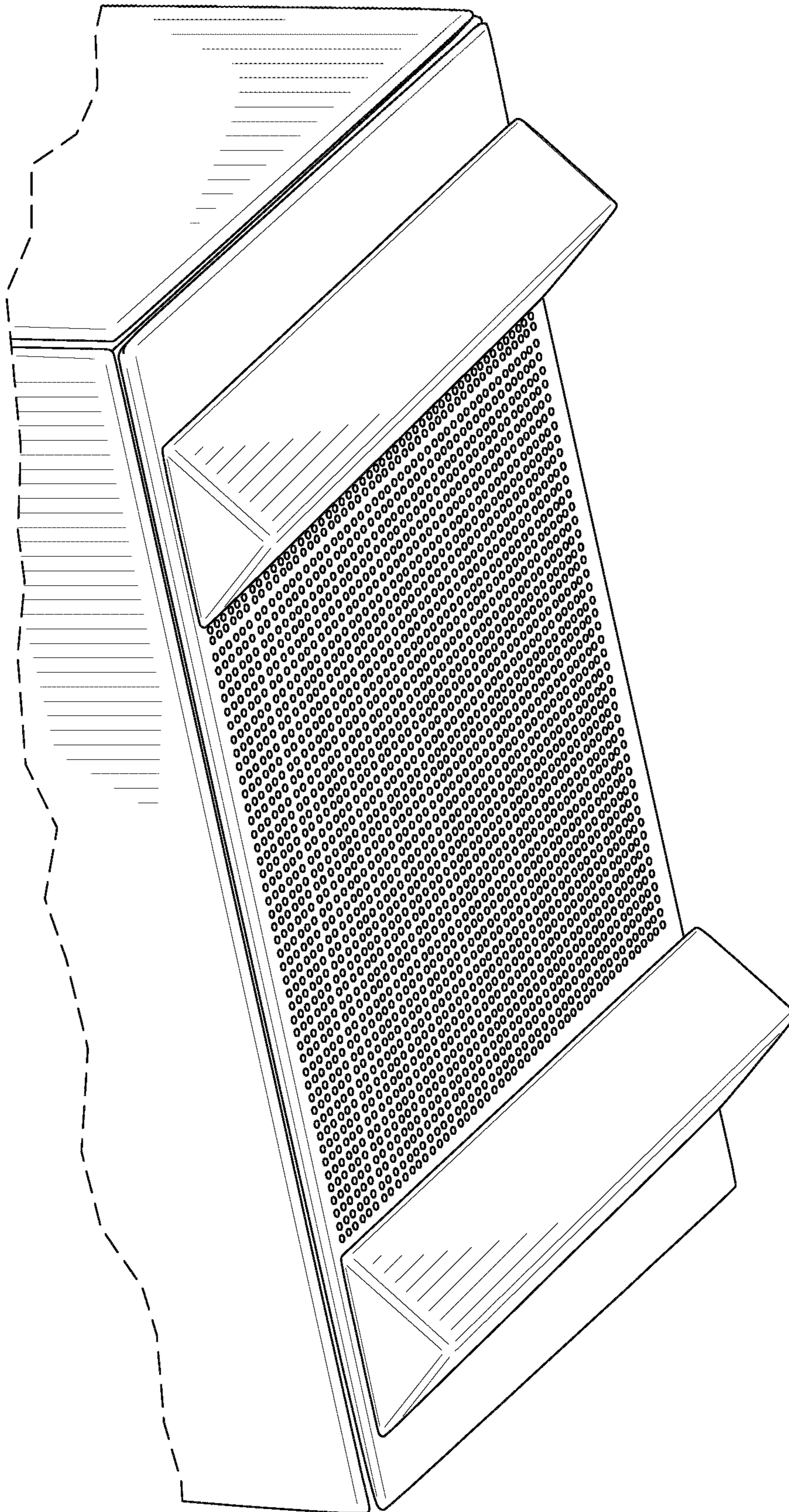
1.3



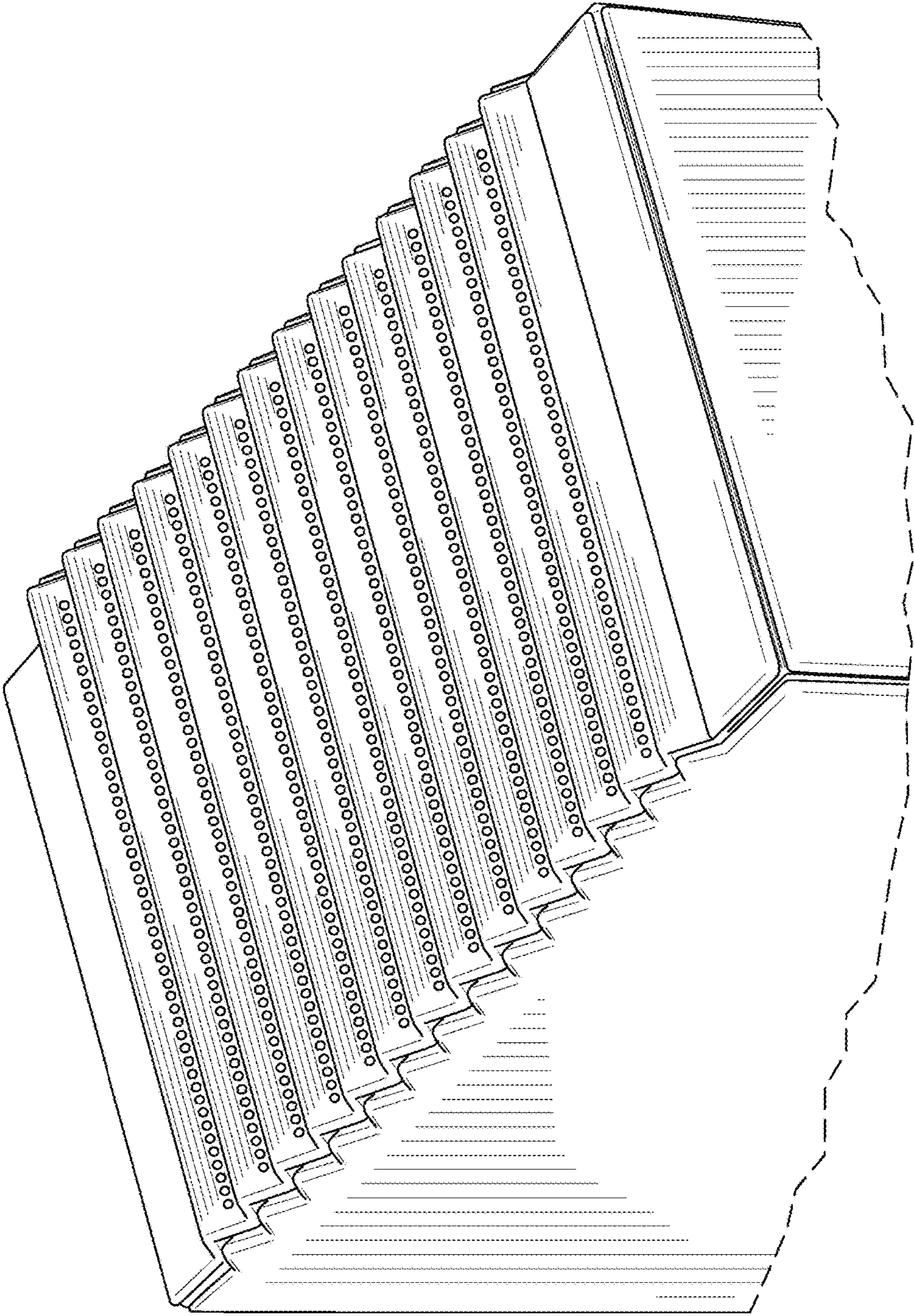
1.4



1.5



1.6



1.7