



US00D814436S

(12) **United States Design Patent**
Wen

(10) **Patent No.:** **US D814,436 S**

(45) **Date of Patent:** **** Apr. 3, 2018**

(54) **WIRELESS CONFERENCE DEVICE**

(71) Applicant: **Shenzhen eMeet Technology CO., LTD**, Shenzhen (CN)

(72) Inventor: **Mingyou Wen**, Shenzhen (CN)

(73) Assignee: **Shenzhen eMeet Technology CO., LTD.**, Shenzhen (CN)

(**) Term: **15 Years**

(21) Appl. No.: **29/598,806**

(22) Filed: **Mar. 29, 2017**

(51) **LOC (11) Cl.** **14-03**

(52) **U.S. Cl.**
USPC **D14/150**

(58) **Field of Classification Search**
USPC D14/140, 140.1, 141.1, 142, 144, 147, D14/149, 150, 155, 168, 172, 204, 212, D14/213, 215, 216, 248, 249, 299, 496, D14/226, 356, 358, 432, 454, 192, 221; D13/184; D10/104.1, 106.1, 106.3, D10/106.5; D23/366
CPC H04M 1/00; H04M 1/04; H04M 3/56; H04M 3/564; H04M 3/568; H04M 9/02; H04M 9/022; H04M 9/08; H04R 1/345; H04R 1/403; H04R 1/406

See application file for complete search history.

(56) **References Cited**

U.S. PATENT DOCUMENTS

D148,151 S	*	12/1947	Doblin	D14/212
D286,774 S	*	11/1986	Geis	D14/142
D288,560 S	*	3/1987	Anderson	D14/212
D355,416 S	*	2/1995	McCay	D14/137
D391,943 S	*	3/1998	Han	D14/356
D391,944 S	*	3/1998	Han	D14/356
D444,777 S	*	7/2001	Bird	D14/150
D457,150 S	*	5/2002	Chen	D14/150
D474,169 S	*	5/2003	Fletcher	D14/159

D481,370 S	*	10/2003	Popowski	D14/150
D495,676 S	*	9/2004	Slevin	D14/150
D504,123 S	*	4/2005	Katsuraku	D14/509
D510,571 S	*	10/2005	Cutler	D14/149
D536,327 S	*	2/2007	Lukic	D14/150
D537,072 S	*	2/2007	Kim	D14/215
D557,248 S	*	12/2007	Wada	D14/150
D568,304 S	*	5/2008	Park	D14/240
D581,927 S	*	12/2008	Sumii	D14/356
D590,391 S	*	4/2009	Sumii	D14/356
D591,269 S	*	4/2009	Kim	D14/216
D598,018 S	*	8/2009	Sumii	D14/356
D602,911 S	*	10/2009	Wang	D14/216
D653,744 S	*	2/2012	Li	D23/366
D677,646 S	*	3/2013	Kellar	D14/149

(Continued)

OTHER PUBLICATIONS

Conference Telephones and Loudspeakers. (Design—© Questel). orbit.com.[online PDF] 16 pgs. Print Dates range Apr. 30, 2014 through Jun. 6, 2017. [Retrieved on 2017-11-120] <https://sobjprd.questel.fr/export/QPTUJ214/pdf2/9b56041c-1bd6-47be-9ded-f46d8259d02a-163502.pdf>.*

Primary Examiner — Janice Hallmark

Assistant Examiner — Marie Fast Horse

(74) *Attorney, Agent, or Firm* — Wayne & King LLC

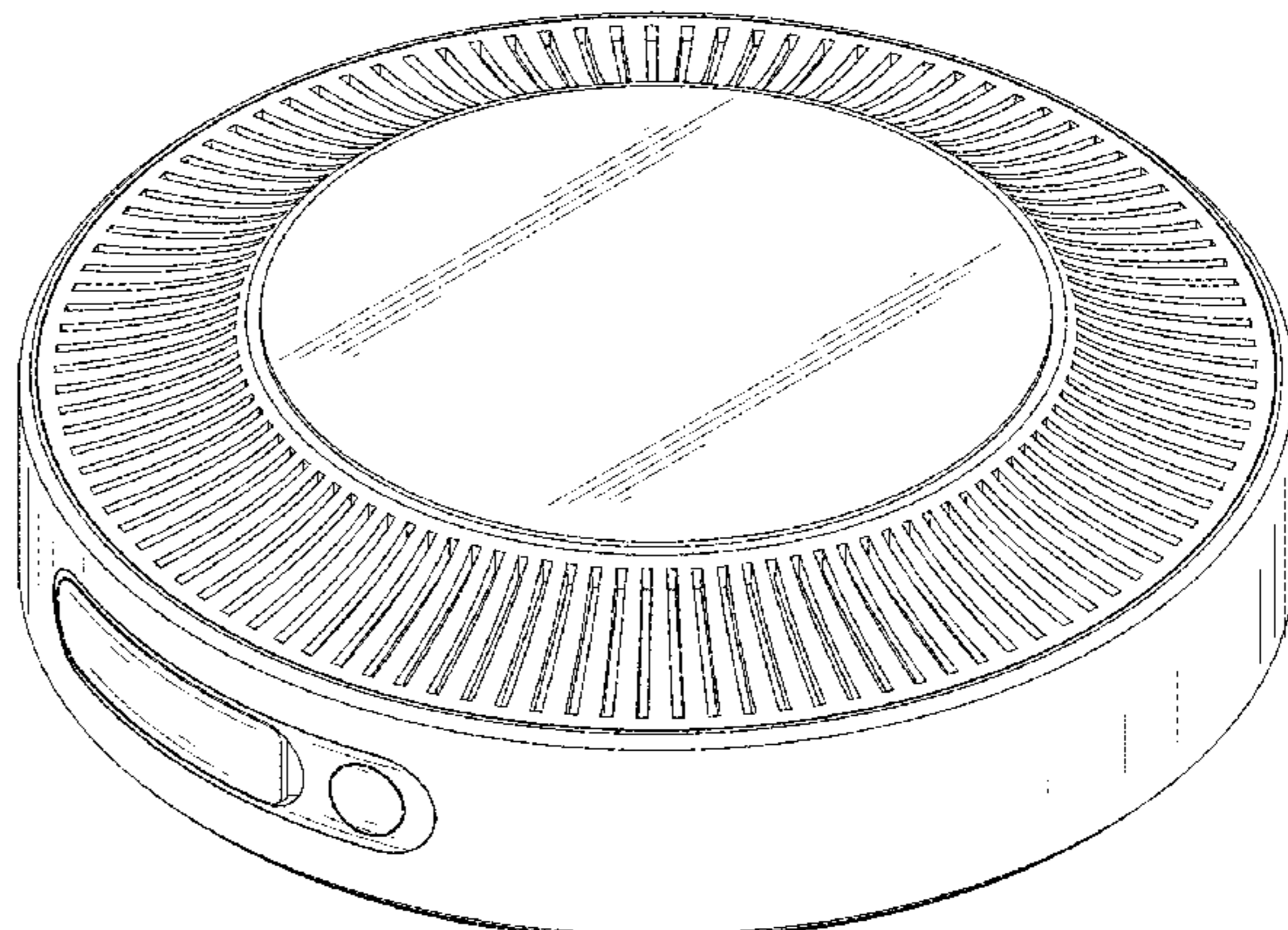
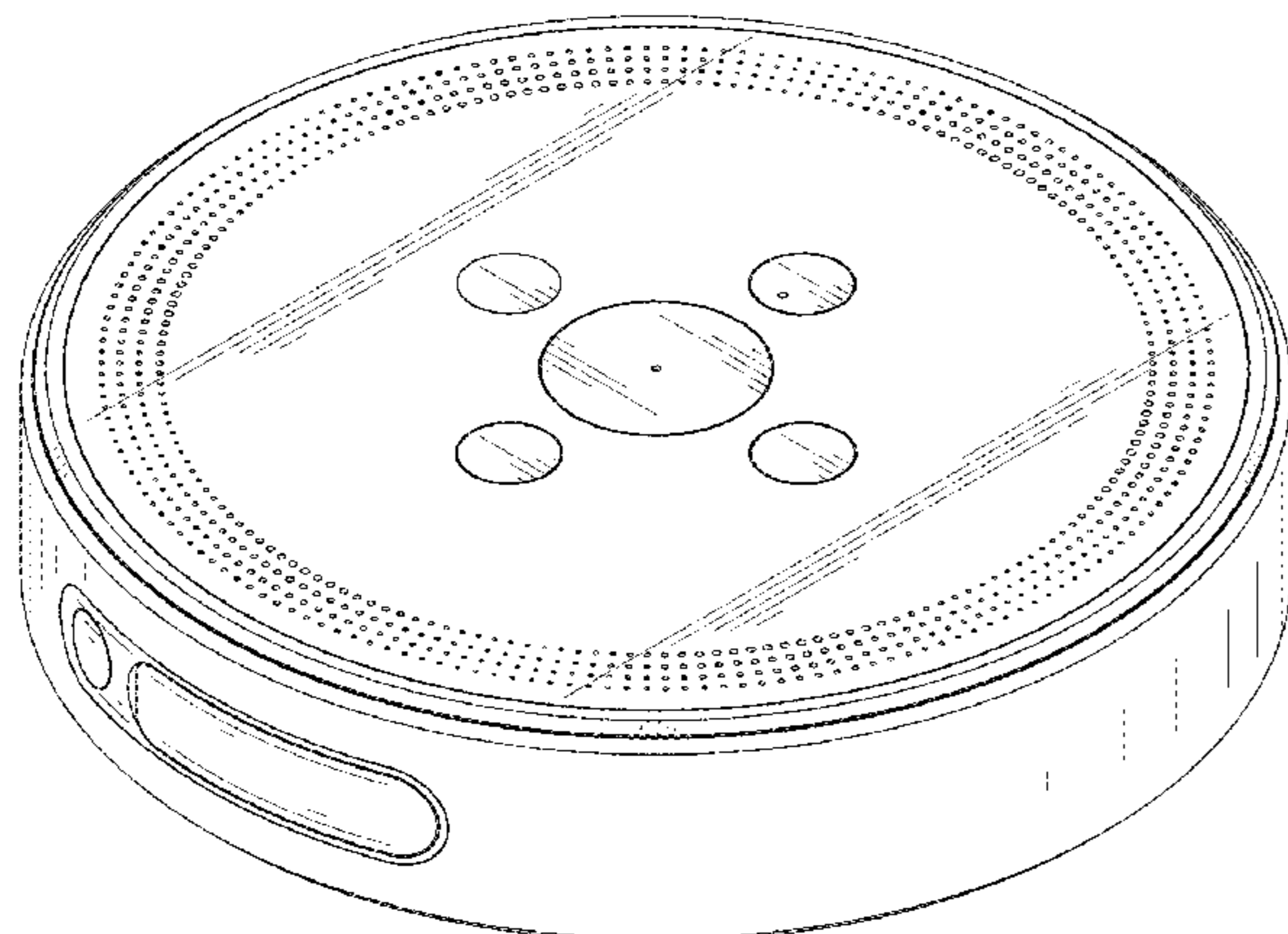
(57) **CLAIM**

The ornamental design for wireless conference device, as shown and described.

DESCRIPTION

FIG. 1 is perspective view showing my design;
FIG. 2 is another perspective view showing my design;
FIG. 3 is a front view showing my design;
FIG. 4 is a back view showing my design;
FIG. 5 is a left side view showing my design;
FIG. 6 is a right side view showing my design;
FIG. 7 is a top plan view showing my design; and,
FIG. 8 is a bottom plan view showing my design.

1 Claim, 8 Drawing Sheets



(56)

References Cited

U.S. PATENT DOCUMENTS

D682,805 S * 5/2013 Rath D14/149
D703,566 S * 4/2014 Chen D10/106.5
D710,329 S * 8/2014 Holzer D14/216
D711,345 S * 8/2014 Liu D14/140
D728,507 S * 5/2015 Brandis D14/149
D743,954 S * 11/2015 Chuang D13/168
D752,014 S * 3/2016 Bolmstrand D14/204
D760,697 S * 7/2016 Zhao D14/216
D771,142 S * 11/2016 Langhammer D14/496
D773,332 S * 12/2016 Kalyan D10/106.5
D780,150 S * 2/2017 Border D14/150
D790,514 S * 6/2017 Woodward D10/65
D792,468 S * 7/2017 Langhammer D14/203.3
2006/0256991 A1 * 11/2006 Oxford H04R 1/403
381/361
2007/0263845 A1 * 11/2007 Hodges H04R 1/345
379/388.02

* cited by examiner

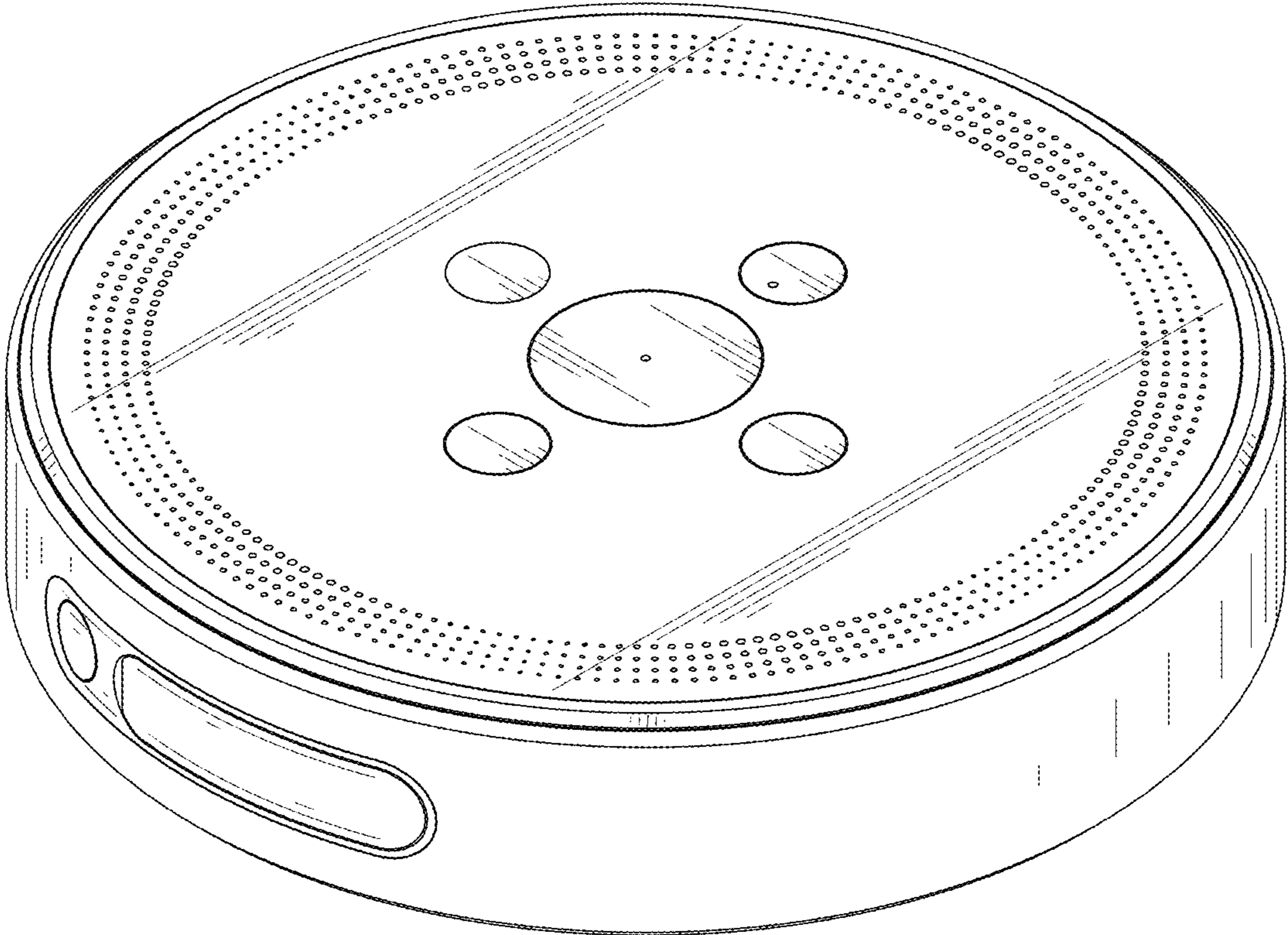


FIG. 1

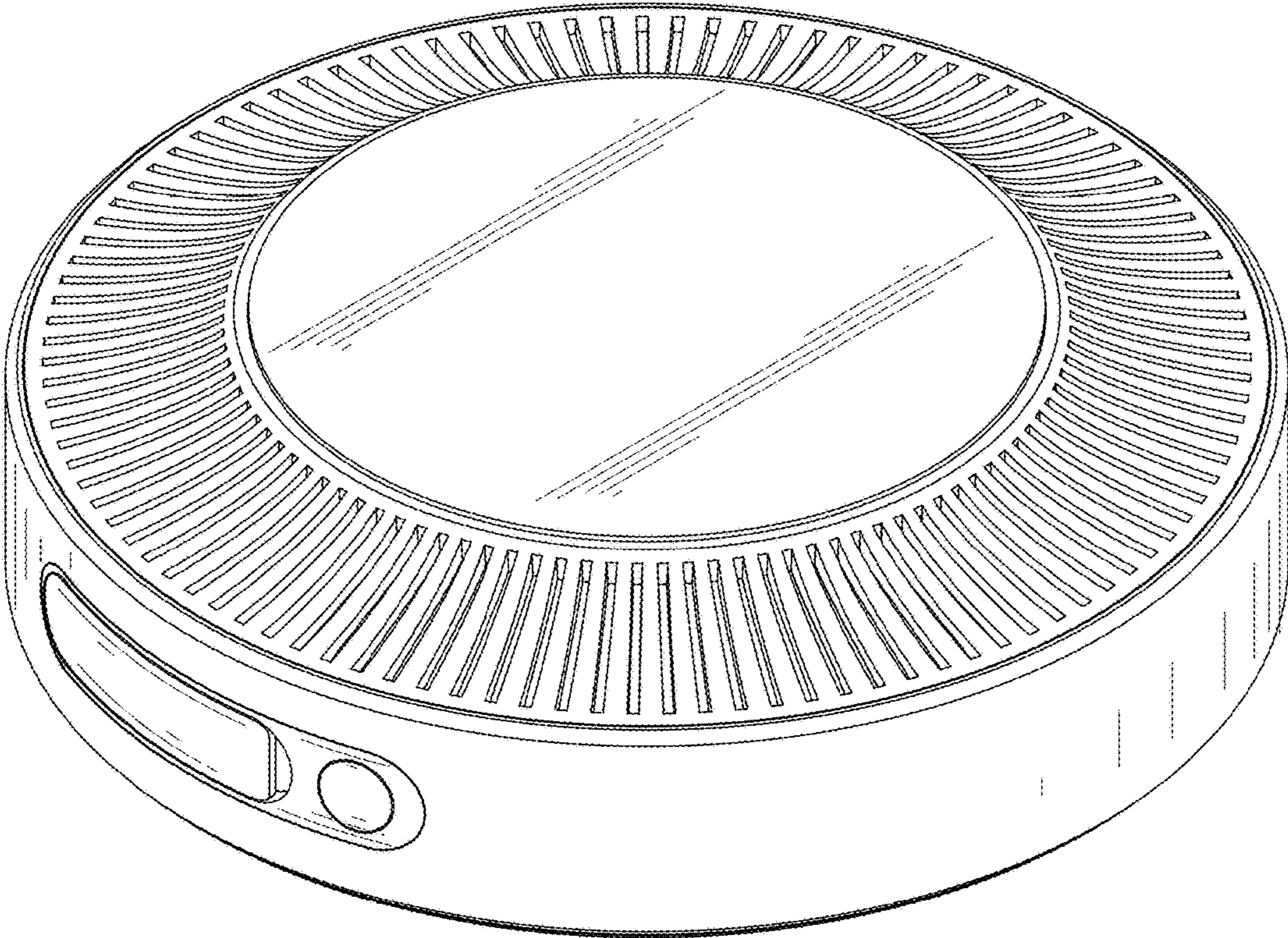


FIG. 2

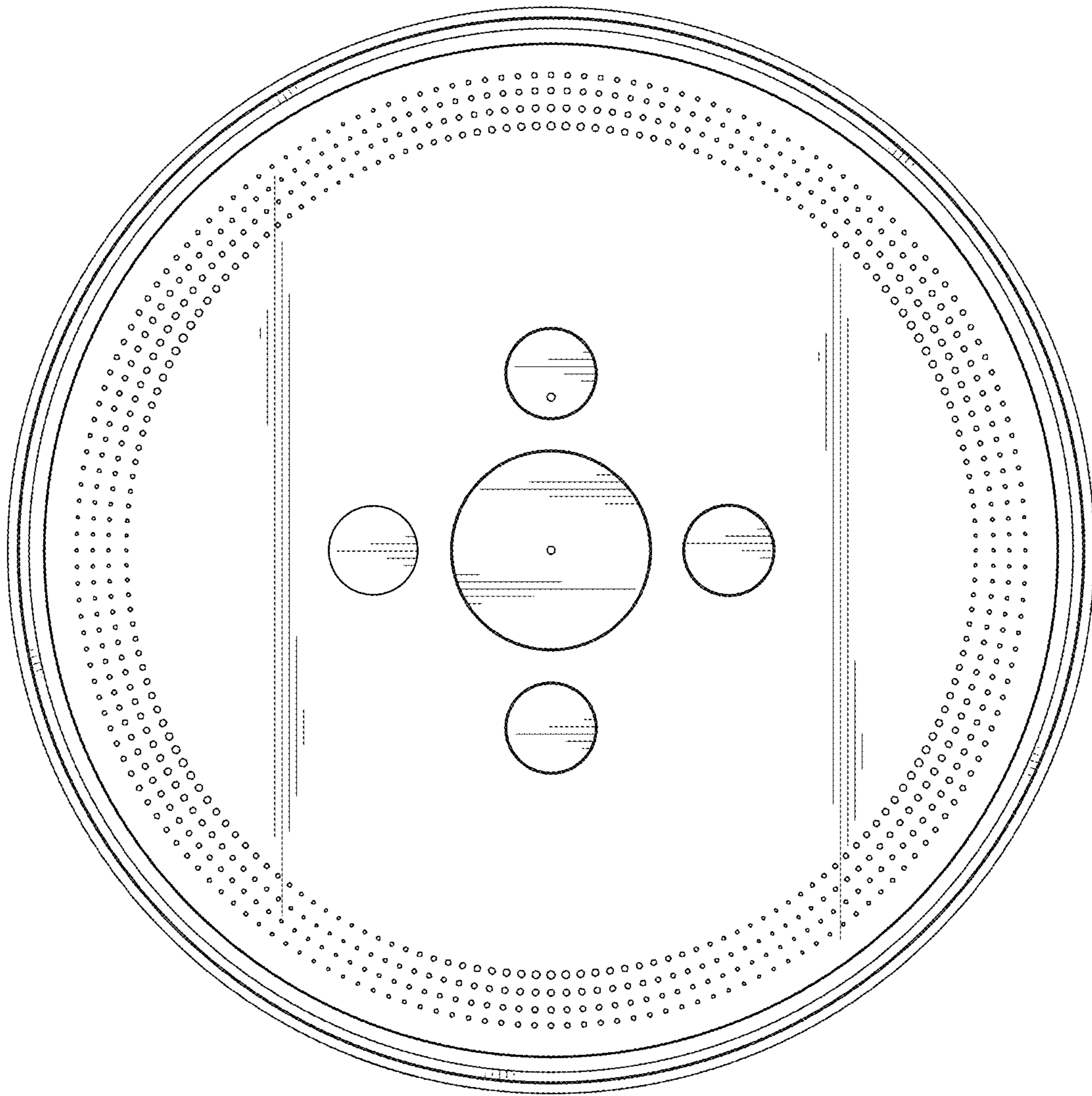


FIG. 3

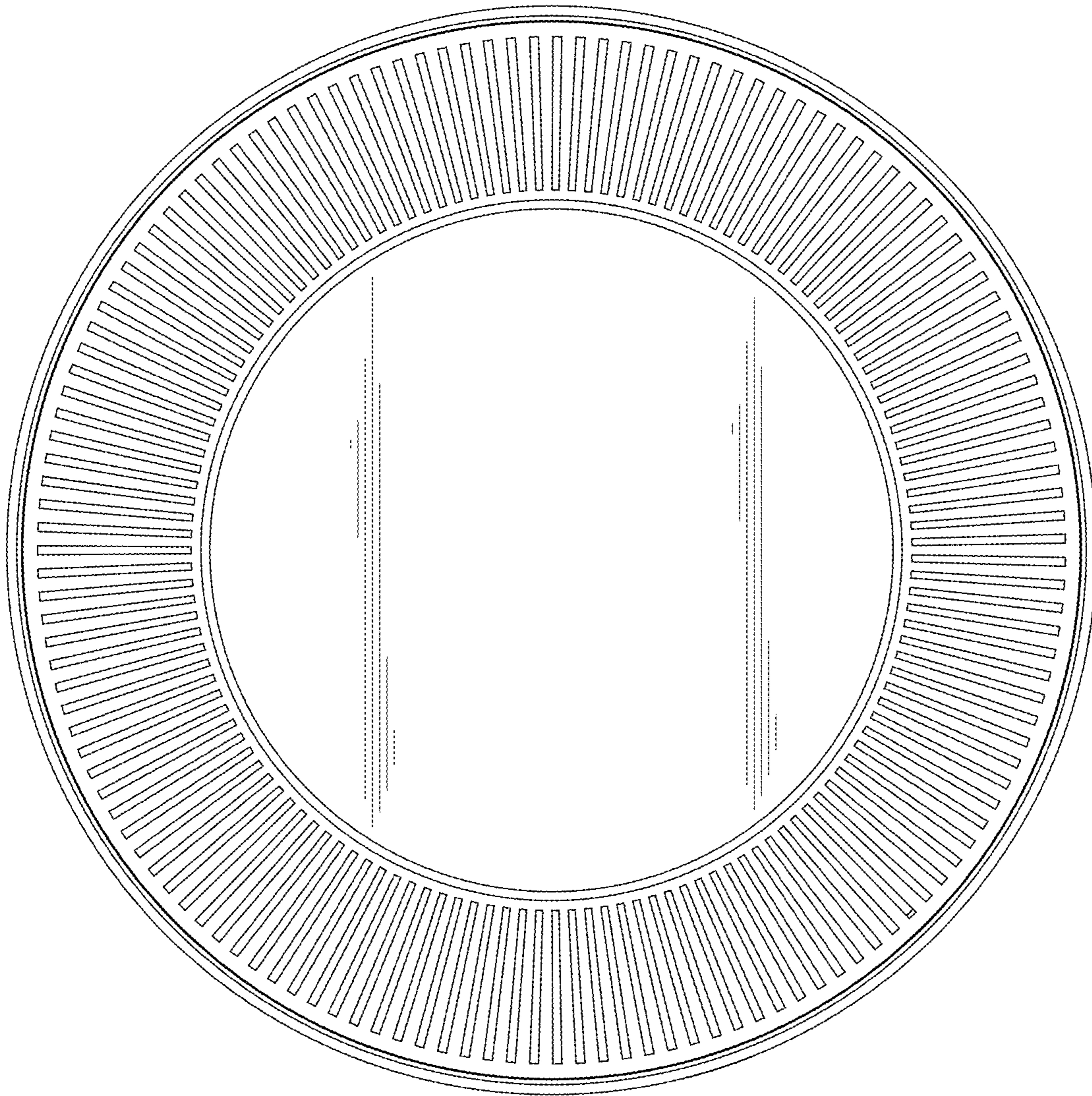


FIG. 4

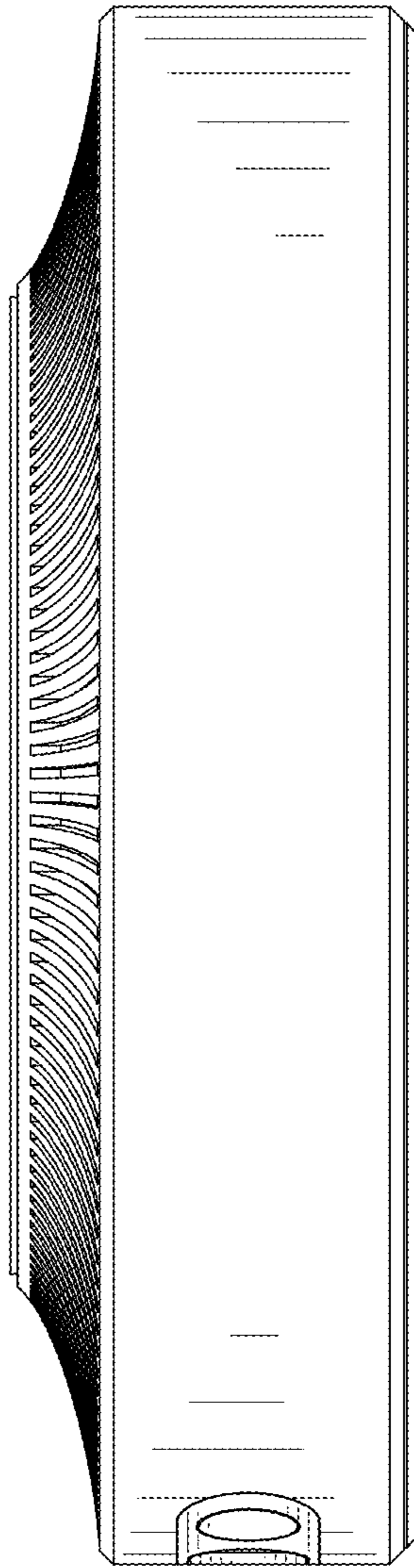


FIG. 5

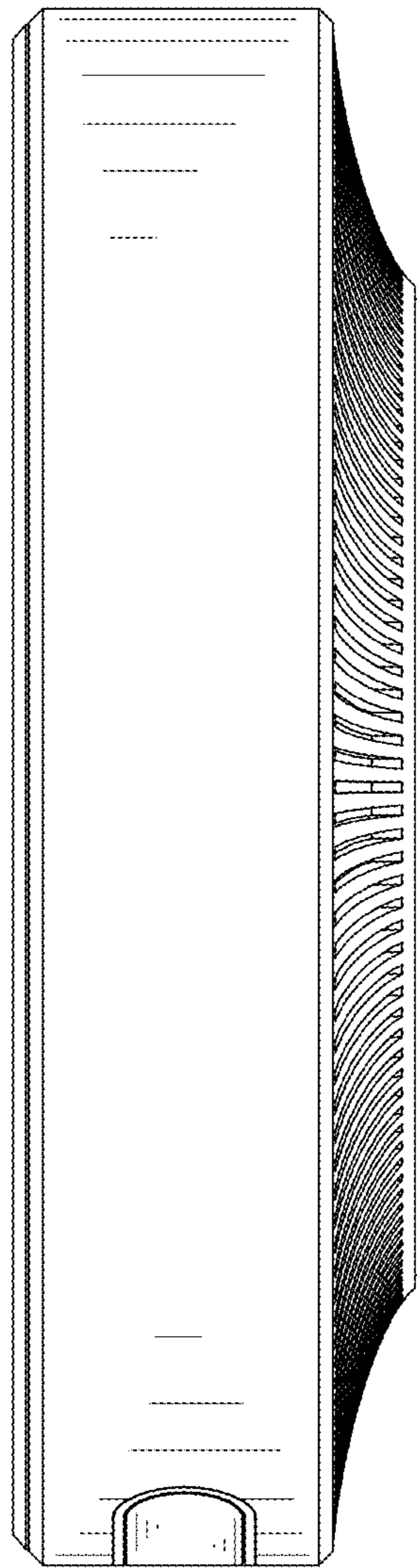


FIG. 6

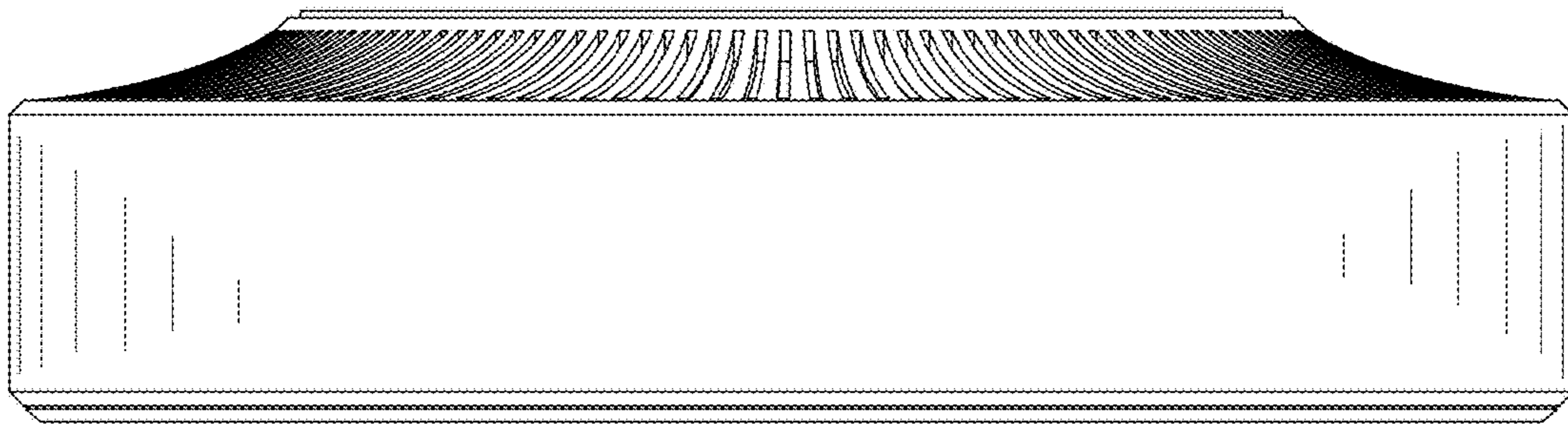


FIG. 7

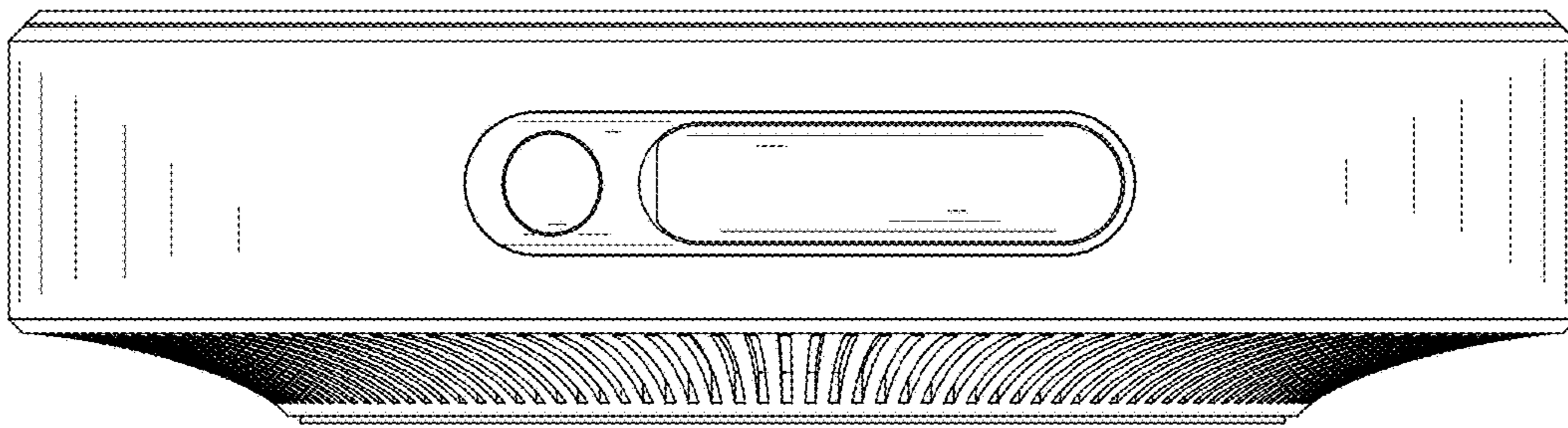


FIG. 8